



US00D436385S

(12) **United States Design Patent**
Bushnell

(10) **Patent No.:** **US D436,385 S**

(45) **Date of Patent:** **** Jan. 16, 2001**

(54) **ROCKER**

D. 352,531 * 11/1994 Bouille D21/415

(75) Inventor: **Clay Bushnell**, St. George, UT (US)

* cited by examiner

(73) Assignee: **Dwight Pectol**, Washington, UT (US)

Primary Examiner—Dominic Simone

(**) Term: **14 Years**

(74) *Attorney, Agent, or Firm*—M. Reid Russell

(21) Appl. No.: **29/122,934**

(57) **CLAIM**

The ornamental design for a rocker, as shown and described.

(22) Filed: **May 8, 2000**

DESCRIPTION

(51) **LOC (7) Cl.** **21-01**

(52) **U.S. Cl.** **D21/415**

(58) **Field of Search** D21/415, 412;
472/95-102

FIG. 1 is a right side perspective view taken from slightly above and from the side of a rocker showing my new design; FIG. 2 is a right side elevation view thereof, a left side elevation view being a mirror image thereof; FIG. 3 is a front elevation view thereof; FIG. 4 is a rear elevation view thereof; FIG. 5 is a top plan view thereof; and, FIG. 6 is a bottom plan view thereof.

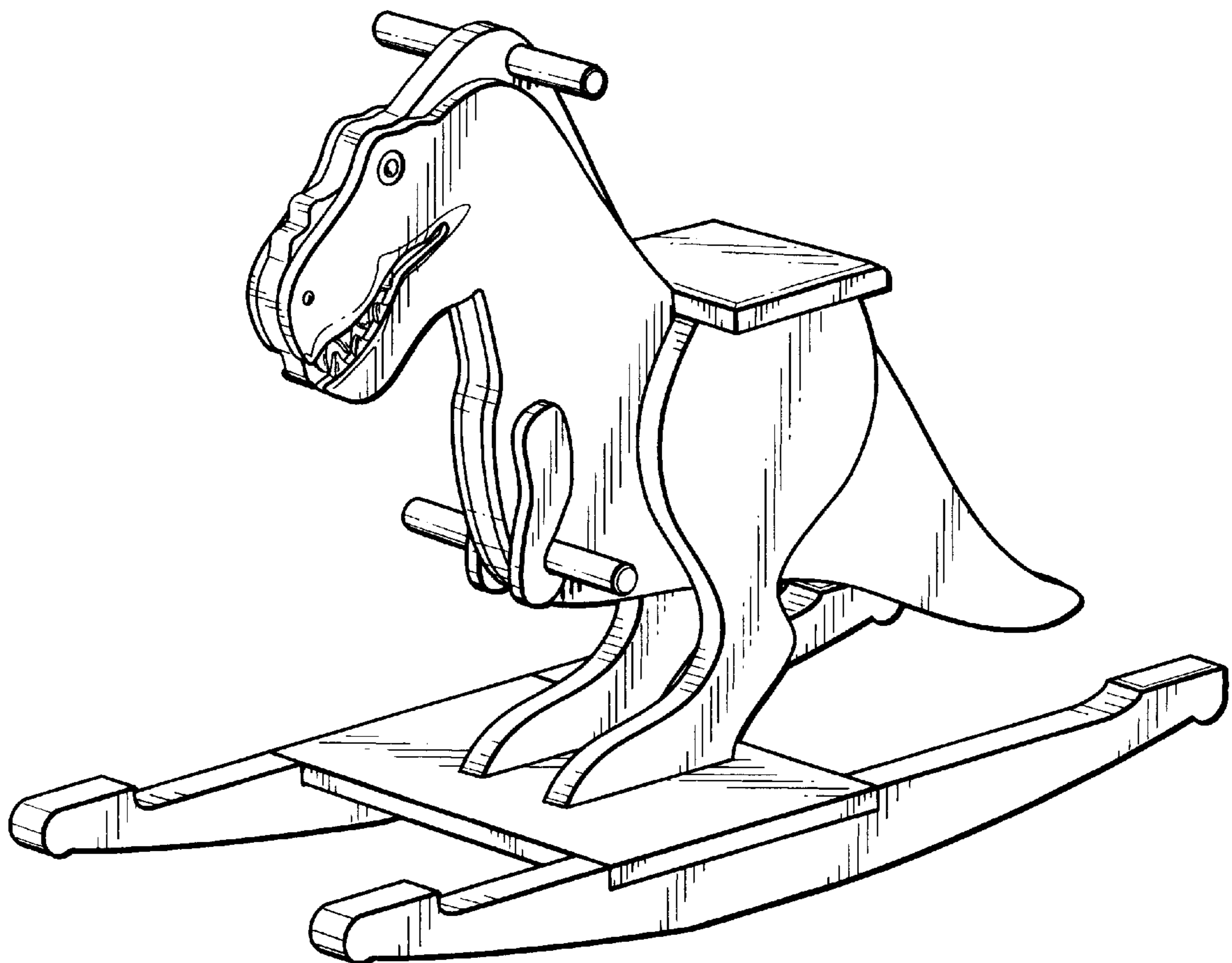
(56) **References Cited**

U.S. PATENT DOCUMENTS

D. 316,575 * 4/1991 Warren D21/415

D. 339,385 * 9/1993 Reynolds D21/415

1 Claim, 3 Drawing Sheets



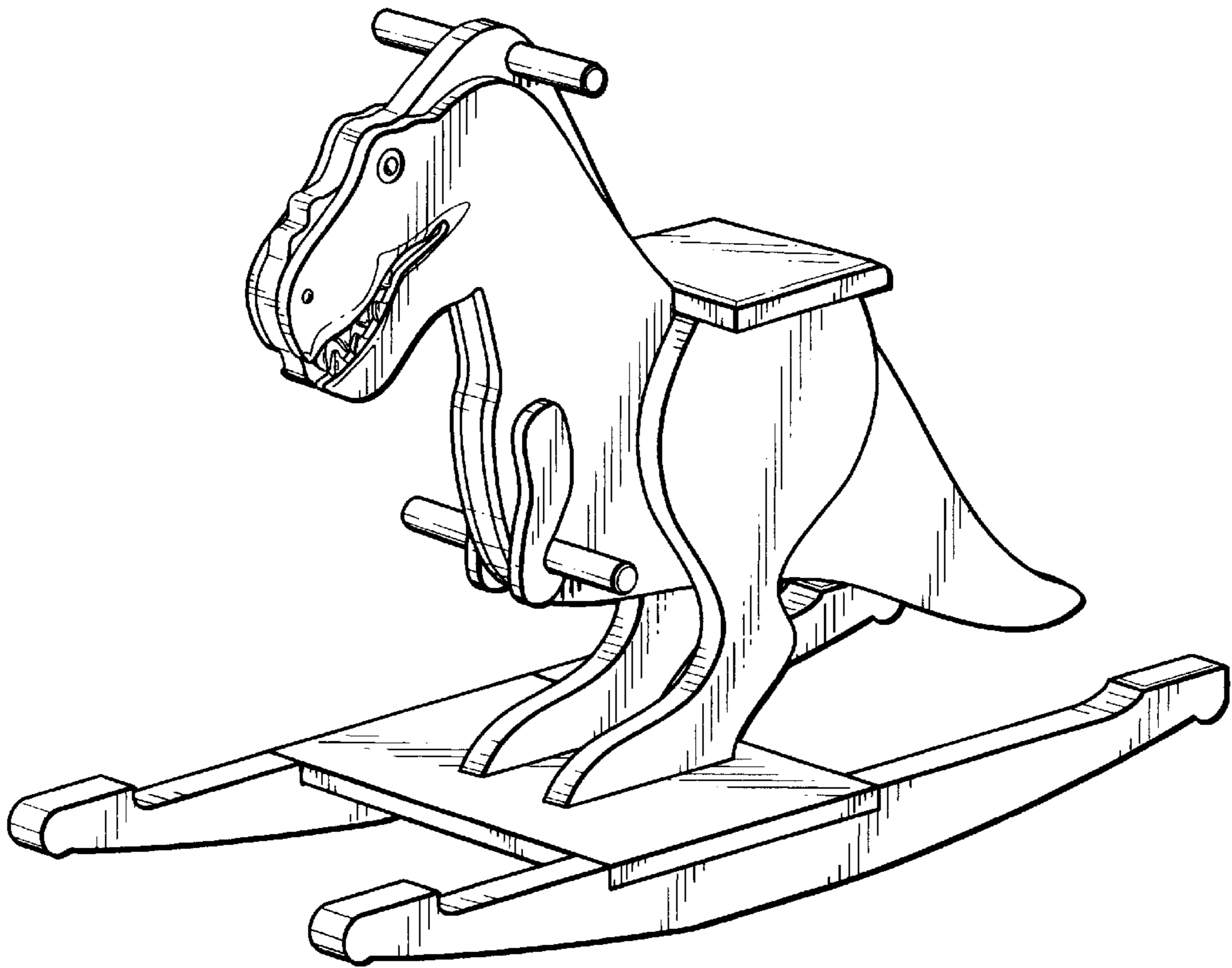


FIG. 1

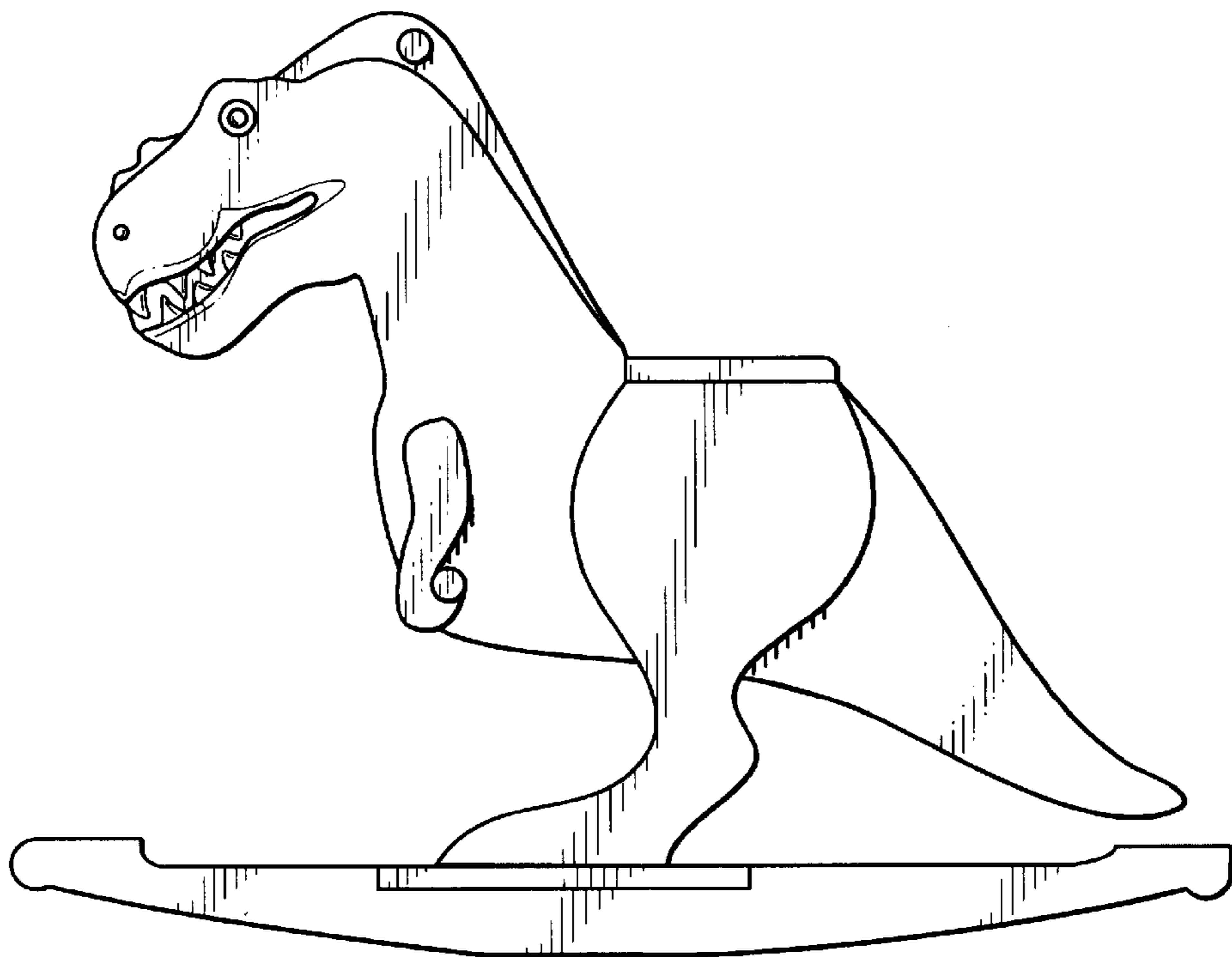


FIG. 2

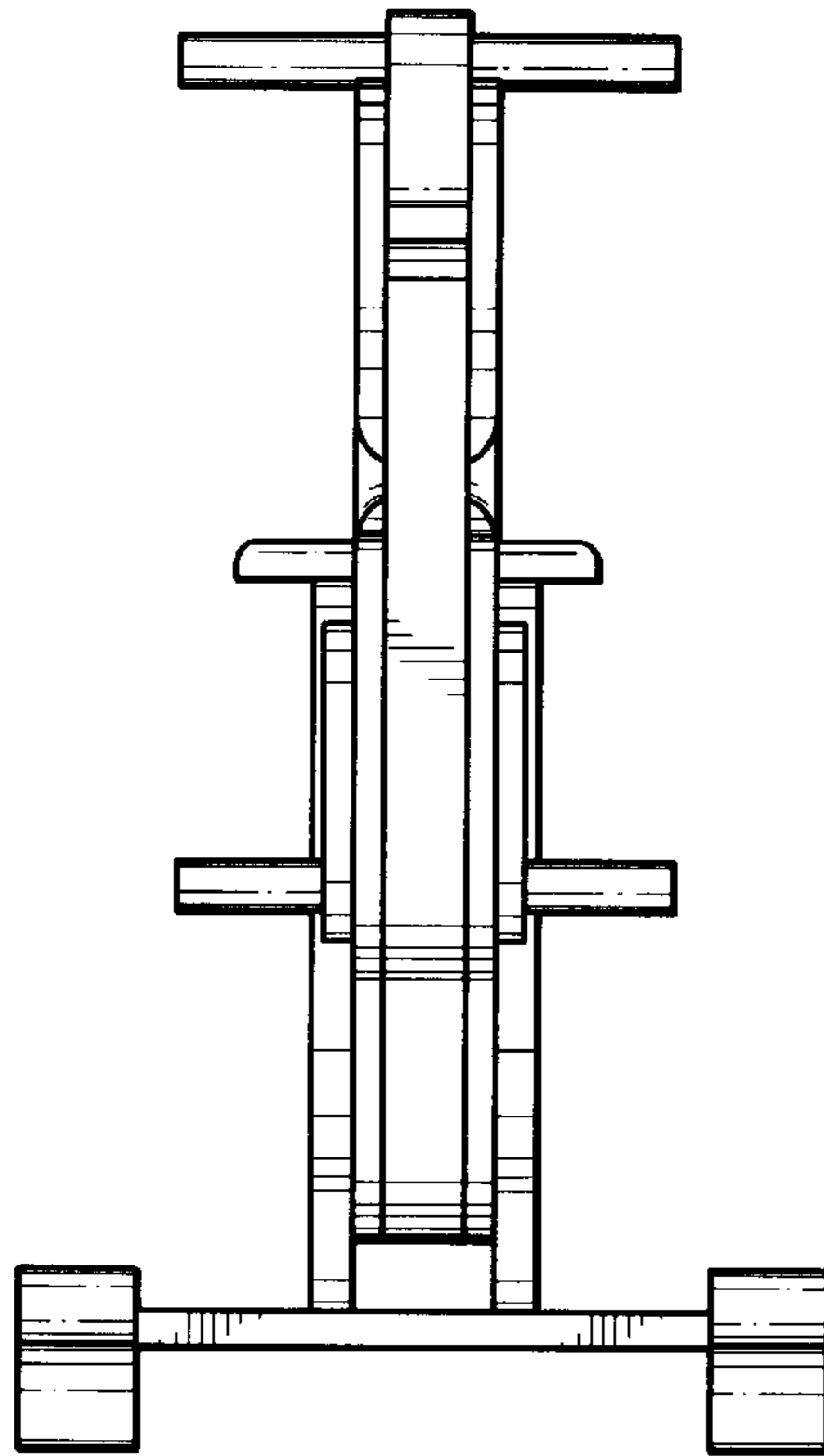


FIG. 3

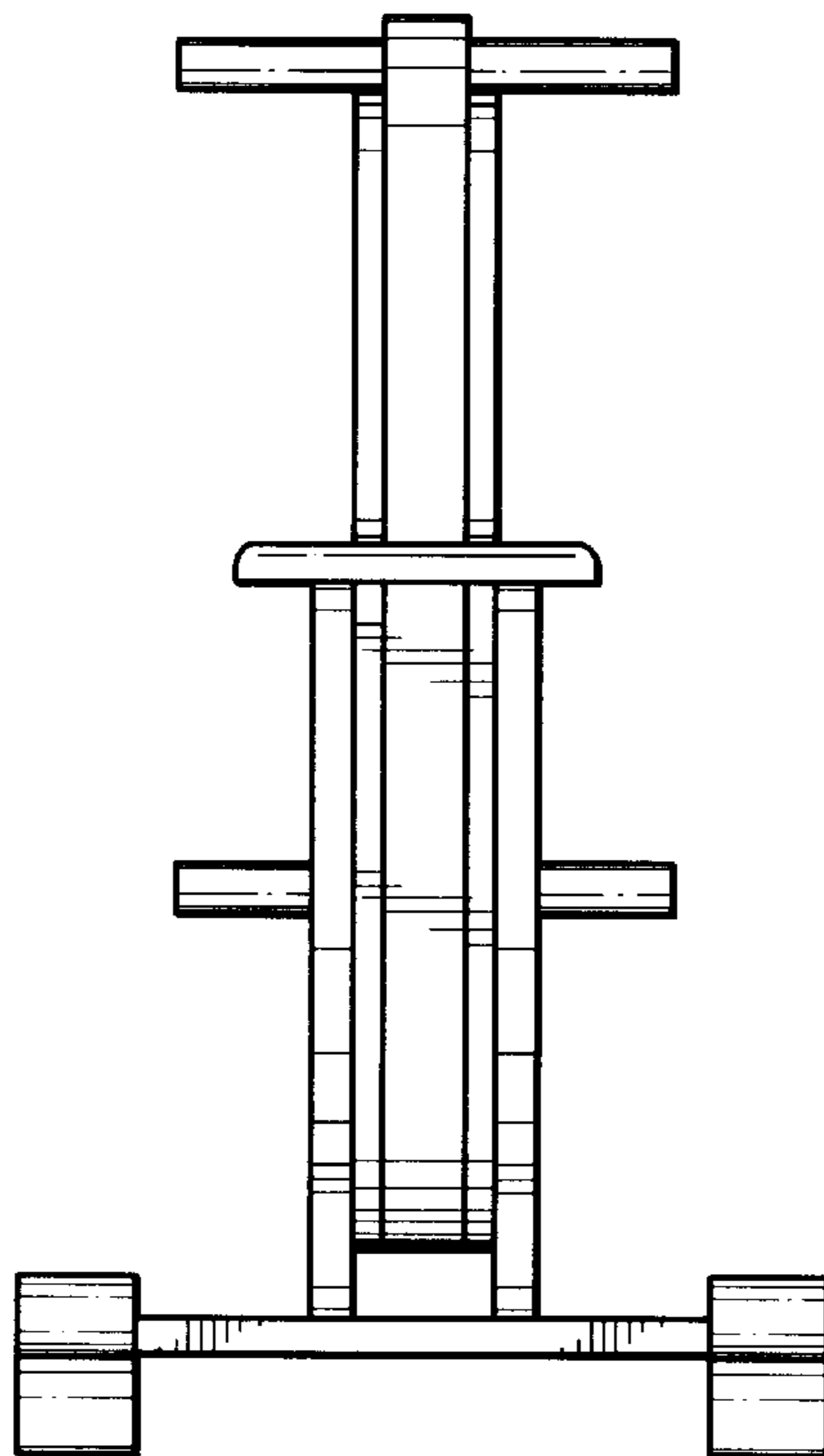


FIG. 4

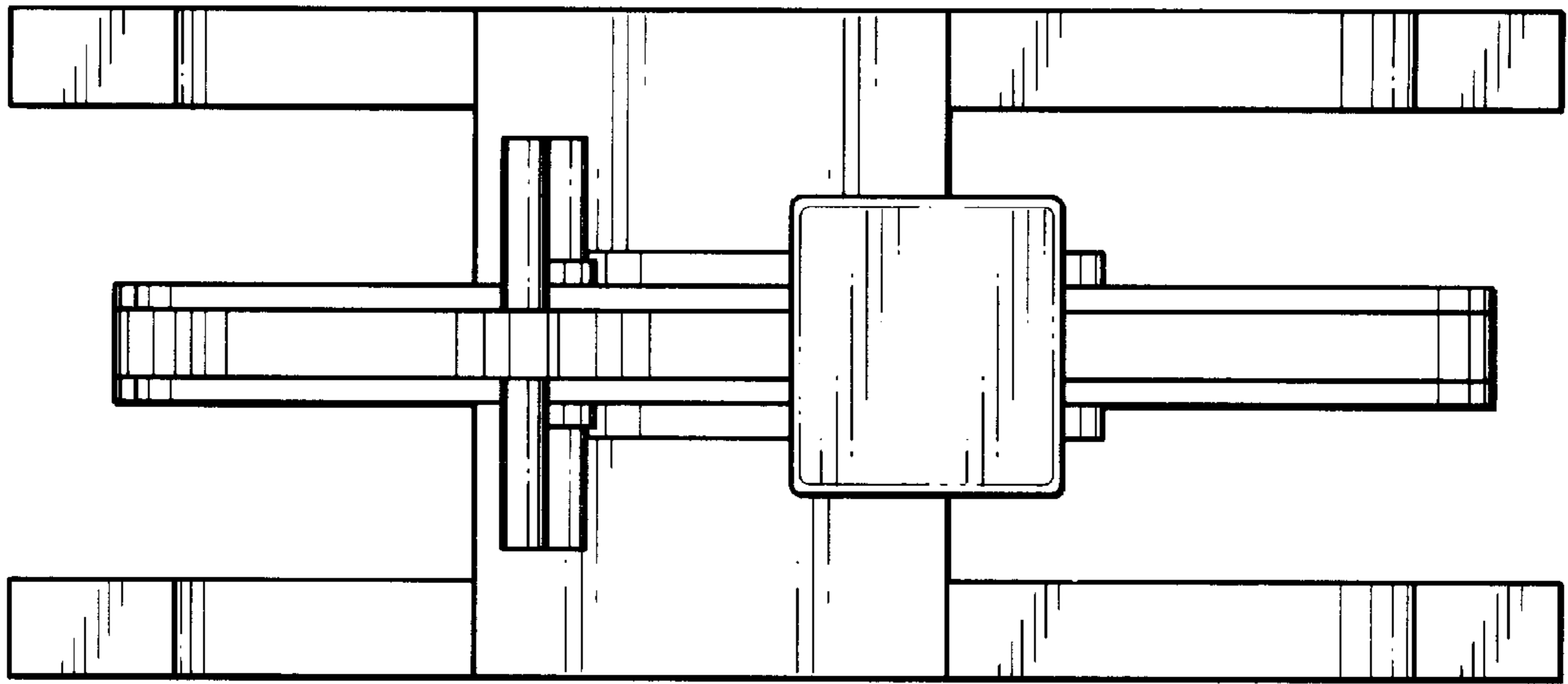


FIG. 5

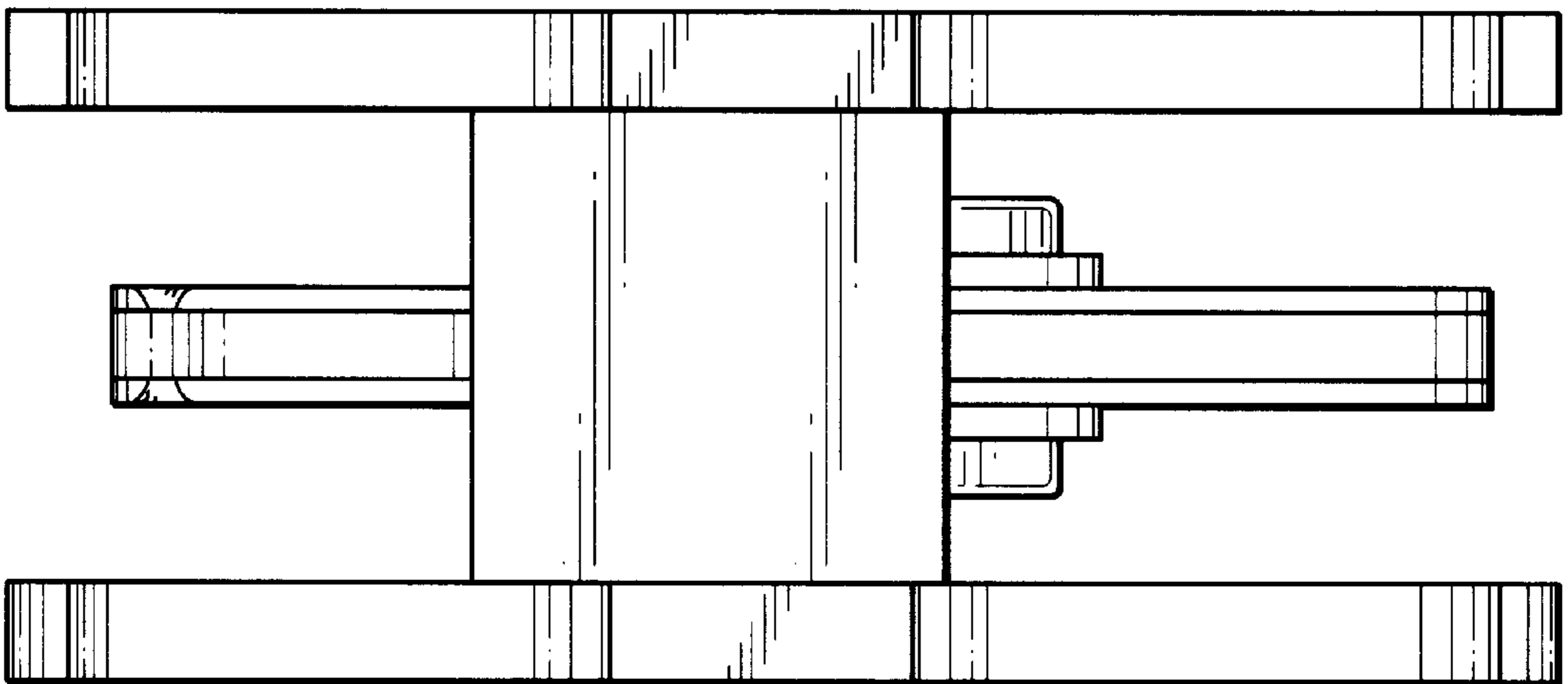


FIG. 6