



US00D436383S

(12) **United States Design Patent**  
**Chesler**

(10) **Patent No.:** **US D436,383 S**

(45) **Date of Patent:** **\*\* Jan. 16, 2001**

(54) **MAGNETIC WHEEL SPIRAL TOY**

(75) Inventor: **Mark Chesler**, Encino, CA (US)

(73) Assignee: **Anatex Enterprises, Inc.**, Van Nuys, CA (US)

(\*\*) Term: **14 Years**

(21) Appl. No.: **29/123,312**

(22) Filed: **May 15, 2000**

**Related U.S. Application Data**

(62) Division of application No. 29/109,385, filed on Aug. 13, 1999.

(51) **LOC (7) Cl.** ..... **21-01**

(52) **U.S. Cl.** ..... **D21/404; D21/456**

(58) **Field of Search** ..... D21/404, 455,  
D21/456, 459; 446/168, 170, 228, 233;  
273/109

(56) **References Cited**

**U.S. PATENT DOCUMENTS**

D. 187,601 \* 4/1960 Kaufman ..... D21/404

D. 264,371 \* 5/1982 Andrews ..... D21/404  
D. 391,301 \* 2/1998 Kuo ..... D21/404  
457,397 \* 8/1891 Church ..... D21/459 X  
2,198,075 \* 4/1940 Borek ..... 273/109  
4,183,170 \* 1/1980 Lytle ..... 446/170

\* cited by examiner

*Primary Examiner*—Dominic Simone

(74) *Attorney, Agent, or Firm*—Martin & Ferraro, LLP

(57) **CLAIM**

The ornamental design for magnetic wheel spiral toy, as shown and described.

**DESCRIPTION**

FIG. 1 is a front elevational view of a magnetic wheel spiral toy showing my new design, the magnetic wheel shown in broken lines for illustrative purposes only and forms no part of the claimed design;

FIG. 2 is a rear elevational view thereof;

FIG. 3 is a right side elevational view thereof;

FIG. 4 is a left side elevational view thereof; and,

FIG. 5 is a top plan view thereof, the bottom being a mirror image.

**1 Claim, 2 Drawing Sheets**

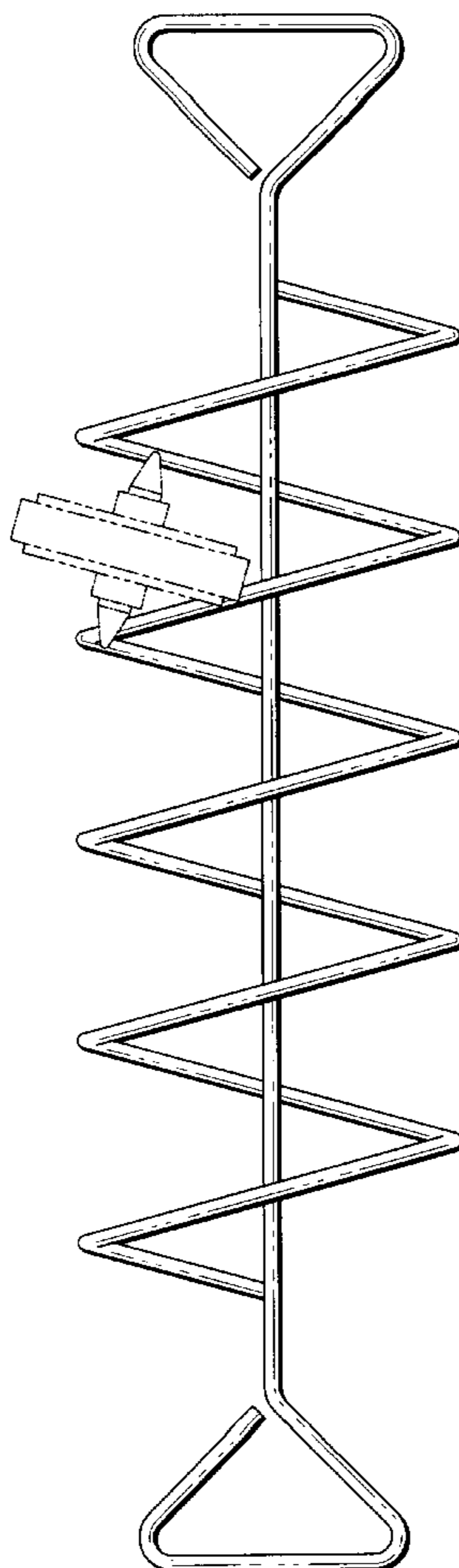


FIG. 1

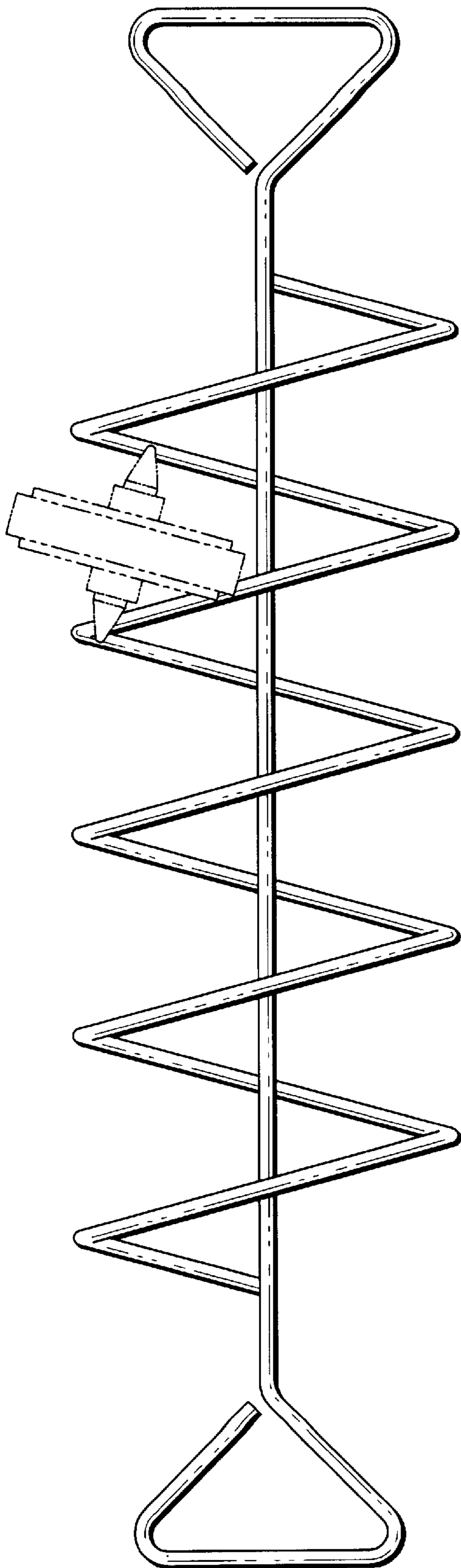
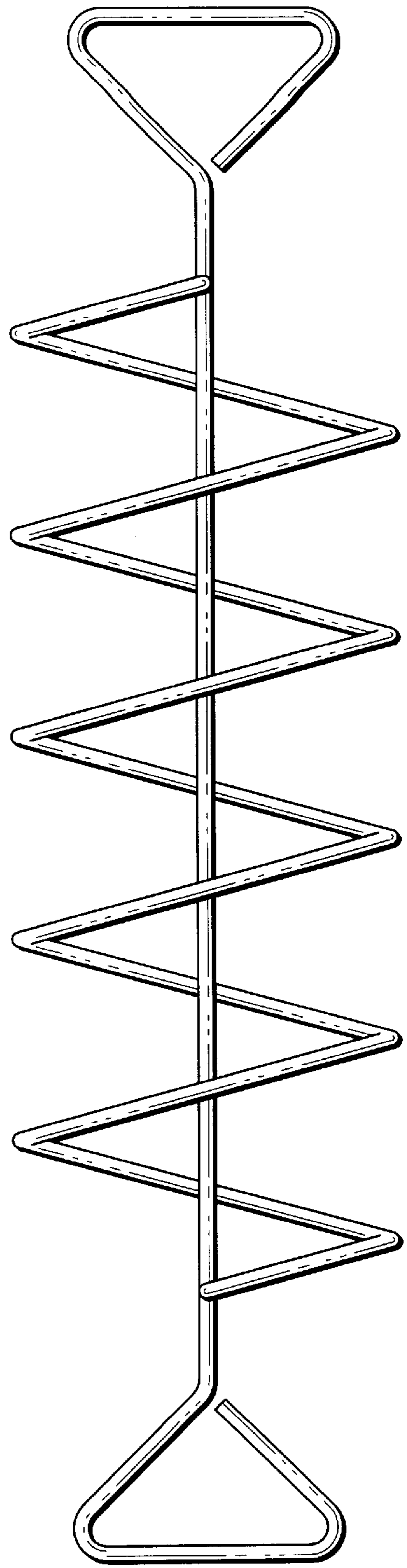


FIG. 2



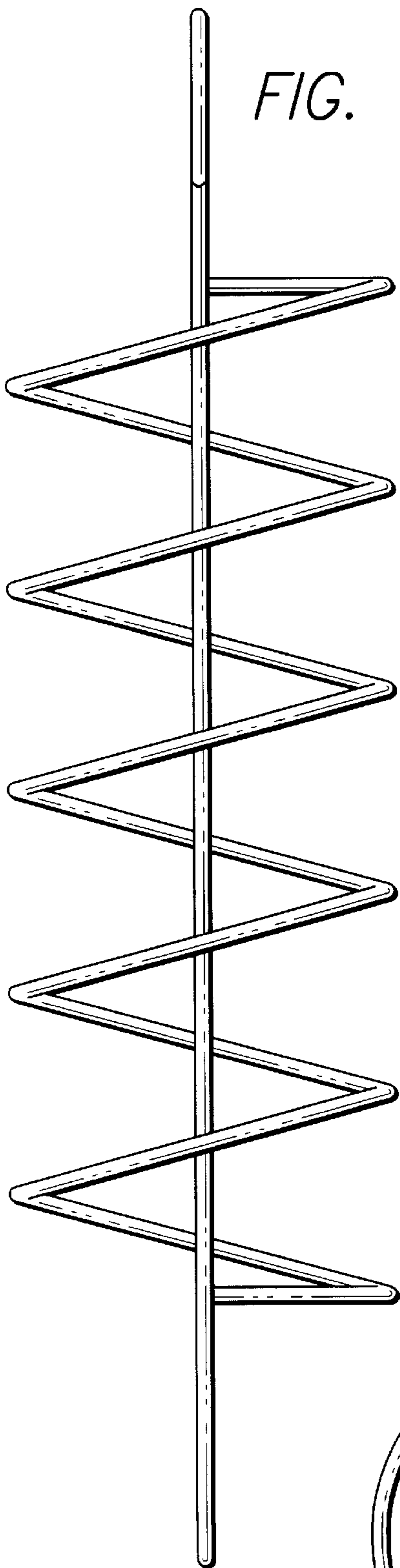


FIG. 3

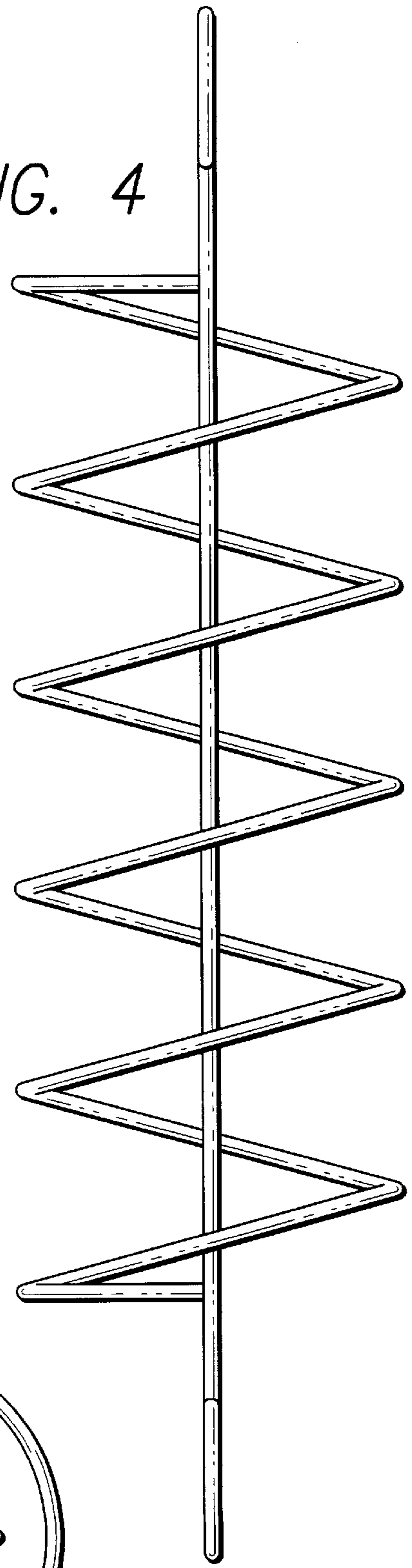


FIG. 4

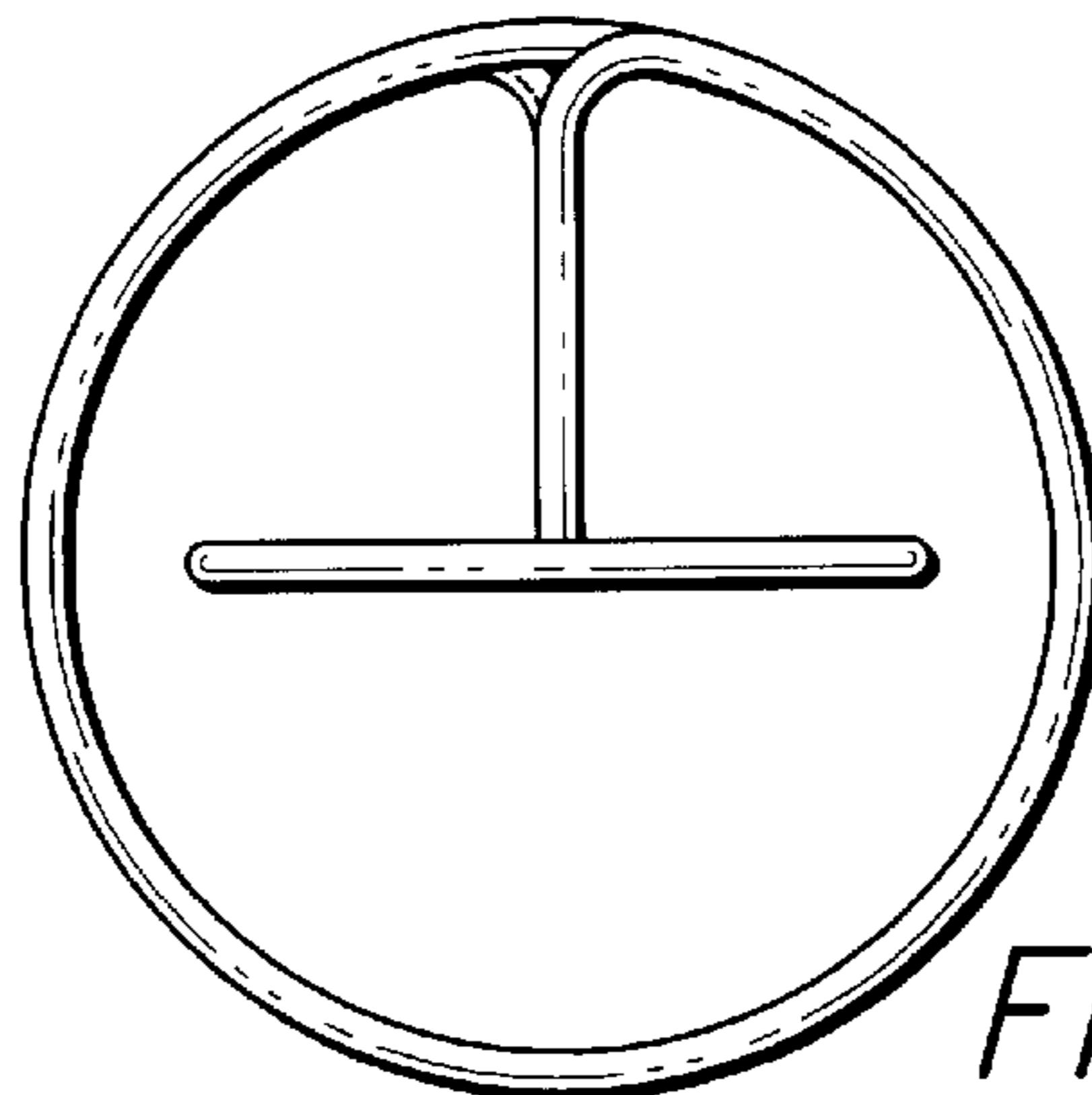


FIG. 5