



US00D436381S

(12) **United States Design Patent**  
**Podd et al.**

(10) **Patent No.:** **US D436,381 S**

(45) **Date of Patent:** **\*\* Jan. 16, 2001**

(54) **HAND-HELD ELECTRONIC BASEBALL GAME**

(76) Inventors: **George O. Podd; James D. Morrow**, both of 1440 N. Dayton St., Chicago, IL (US) 60622; **Michael L. Nakamura**, 1440 Dayton St., Chicago, IL (US) 60622

(\*\*) Term: **14 Years**

(21) Appl. No.: **29/113,877**

(22) Filed: **Nov. 15, 1999**

(51) **LOC (7) Cl.** ..... **21-01**

(52) **U.S. Cl.** ..... **D21/329**

(58) **Field of Search** ..... D21/324-333, D21/318, 314, 707-714; 273/148 B, 118 R, 118 A, 128 R, 129 R, 459, 460, 461; 463/1, 3, 4, 29-35, 46, 47; 345/903, 978; D14/189, 496

(56) **References Cited**

**U.S. PATENT DOCUMENTS**

D. 98,769	*	3/1936	Horwitt	.....	D10/15
D. 133,539	*	8/1942	Dow	.....	D14/189
D. 238,098		12/1975	Flak	.	
D. 262,717		1/1982	Dweck	.	
D. 262,719		1/1982	Dweck	.	
D. 262,720		1/1982	Dweck	.	
D. 262,723		1/1982	Dweck	.	
D. 339,915	*	10/1993	Lucas	.....	D21/713
D. 397,729		9/1998	Schulz et al.	.	

D. 399,268	*	10/1998	Liu	.....	D21/333
D. 408,803	*	4/1999	Tyler et al.	.....	D14/436
D. 421,035	*	2/2000	Shirley et al.	.....	D21/713
3,624,939	*	12/1971	Gossard	.....	206/0.84
4,363,484	*	12/1982	Breslow et al.	.....	463/3
4,872,854		10/1989	Hseu	.	
5,026,058	*	6/1991	Bromley	.....	273/148 B
5,232,223	*	8/1993	Dornbusch	.....	273/148 B
5,564,209	*	10/1996	Zagnoli	.....	273/148 B
5,741,182	*	4/1998	Lipps et al.	.....	463/4

\* cited by examiner

*Primary Examiner*—Prabhakar Deshmukh

(74) *Attorney, Agent, or Firm*—David S. Alavi

(57) **CLAIM**

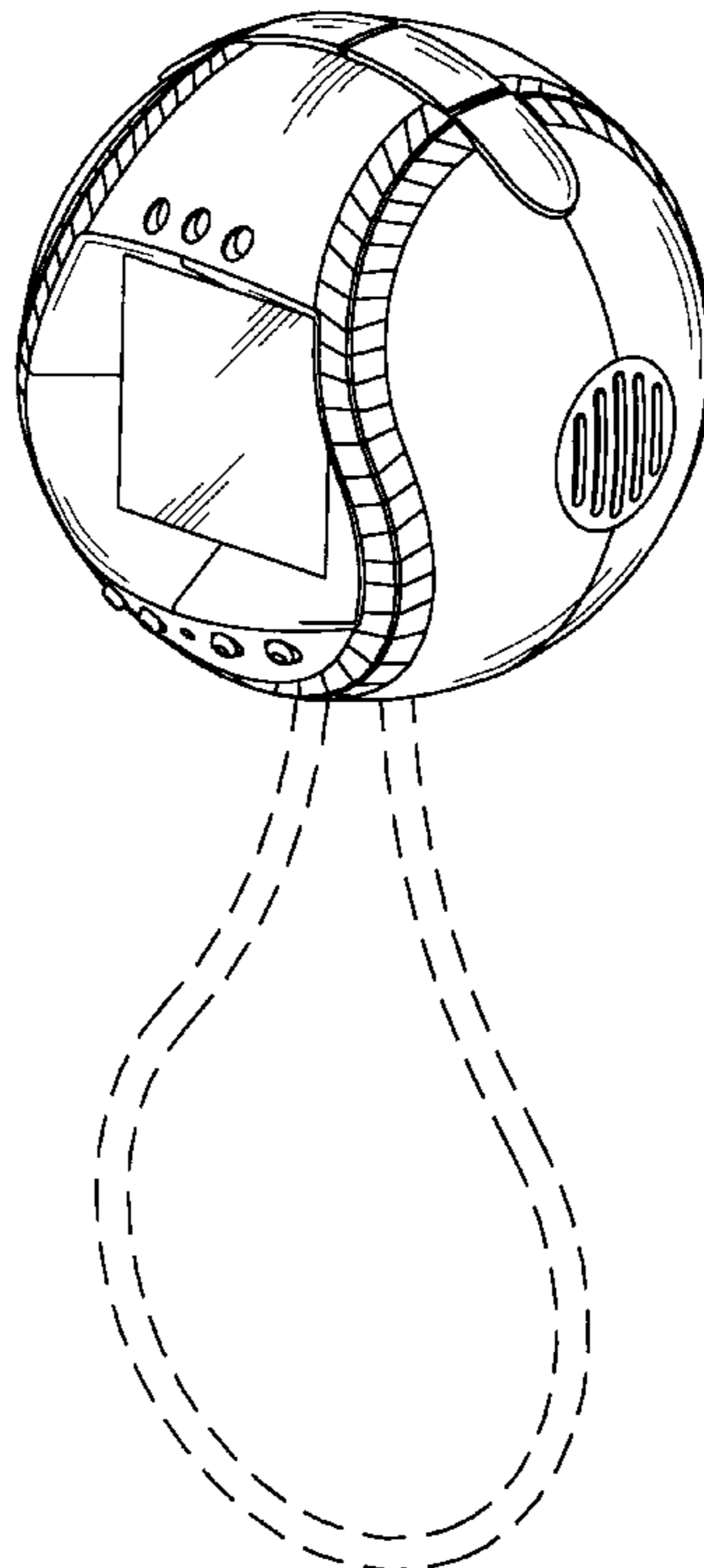
The ornamental design for a hand-held electronic baseball game, substantially as shown and described.

**DESCRIPTION**

FIG. 1 is a perspective view of a hand-held electronic baseball game showing our new design; FIG. 2 is a front elevational view thereof; FIG. 3 is a rear elevational view thereof; FIG. 4 is a right side elevational view thereof; FIG. 5 is a left side elevational view thereof; FIG. 6 is a top plan view thereof; FIG. 7 is a bottom plan view thereof; and, FIG. 8 is a bottom plan view thereof; similar to FIG. 7 with wrist strap removed.

The broken line showing of wrist strap is for illustrative purpose only and forms no part of the claimed design.

**1 Claim, 4 Drawing Sheets**



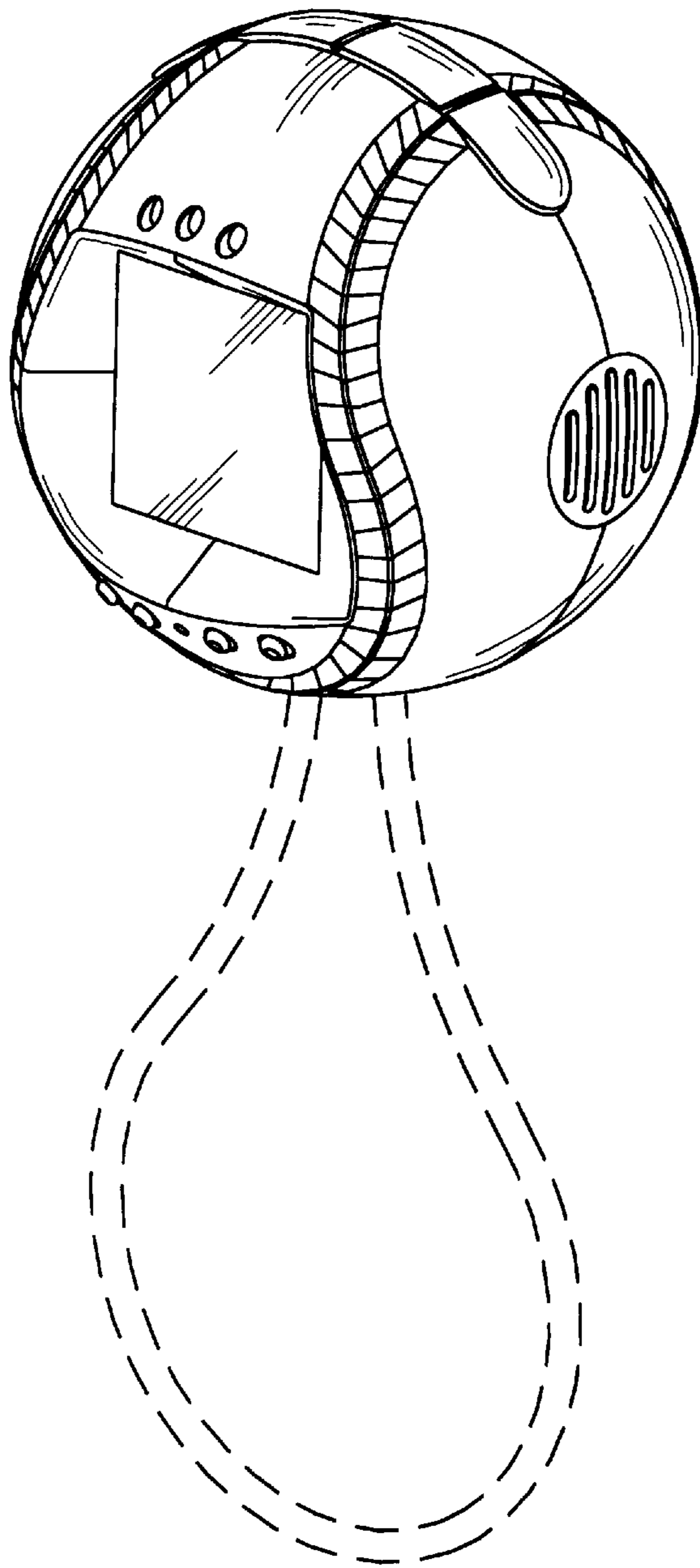


FIG. 1

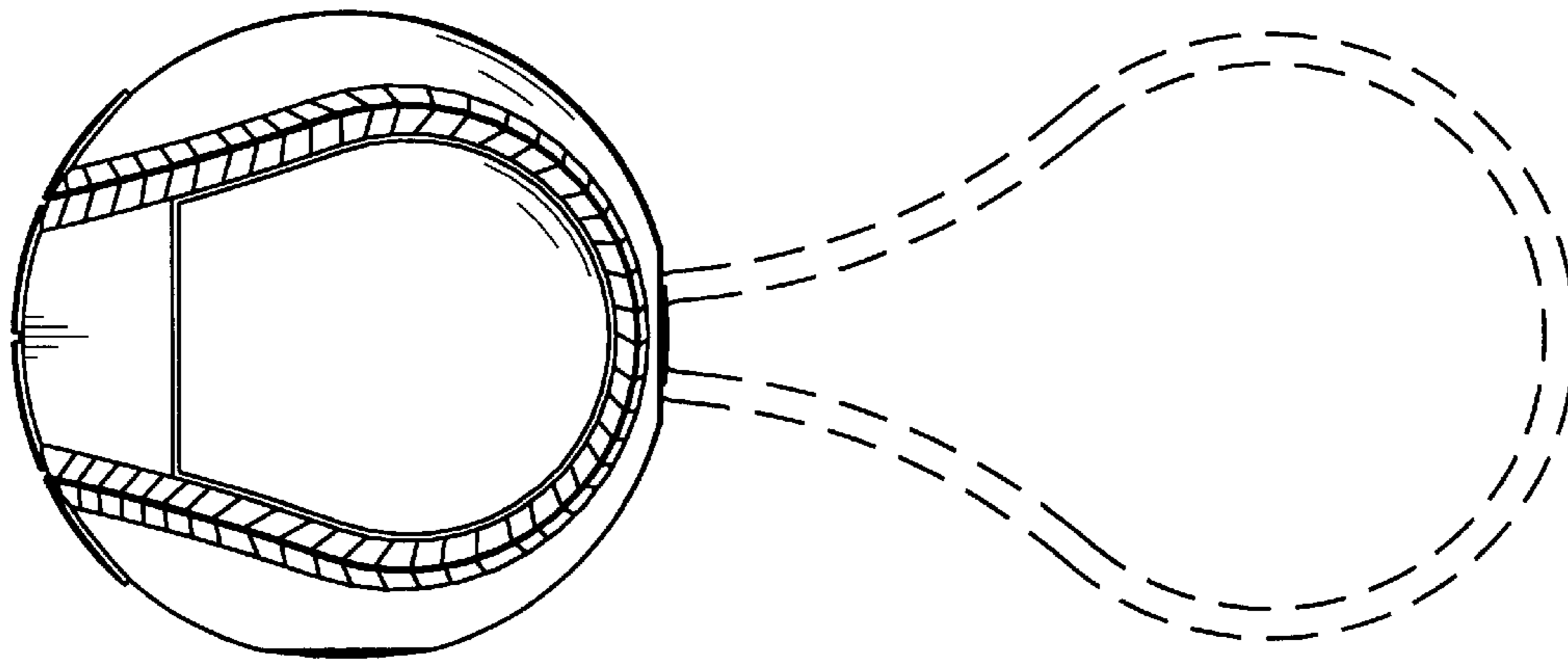


FIG. 3

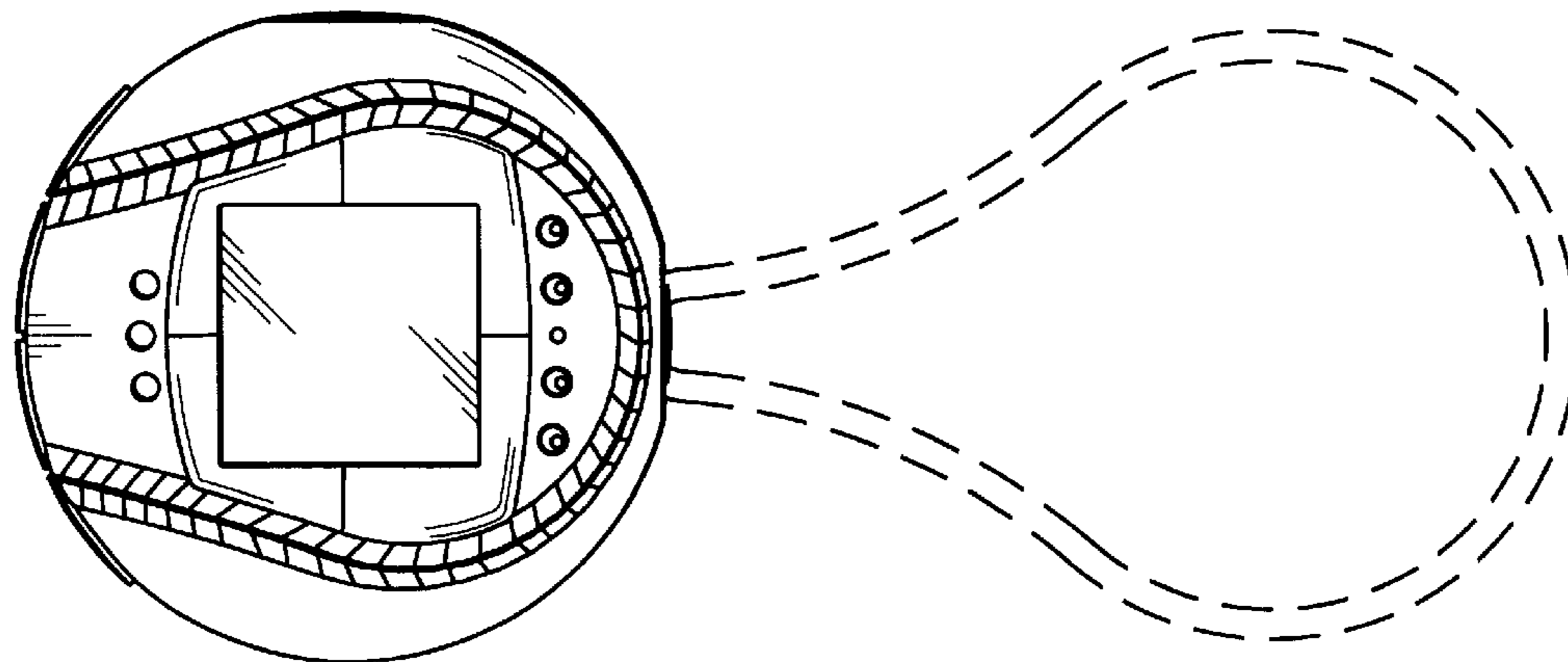


FIG. 2

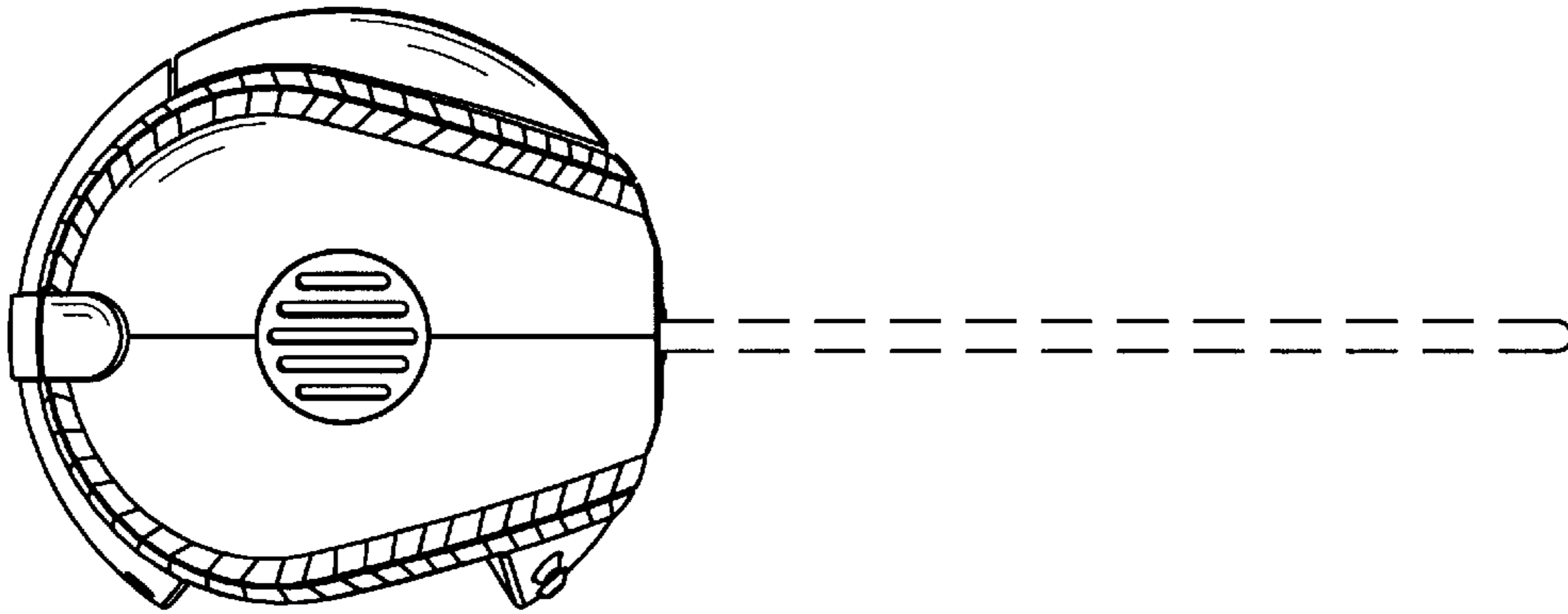


FIG. 5

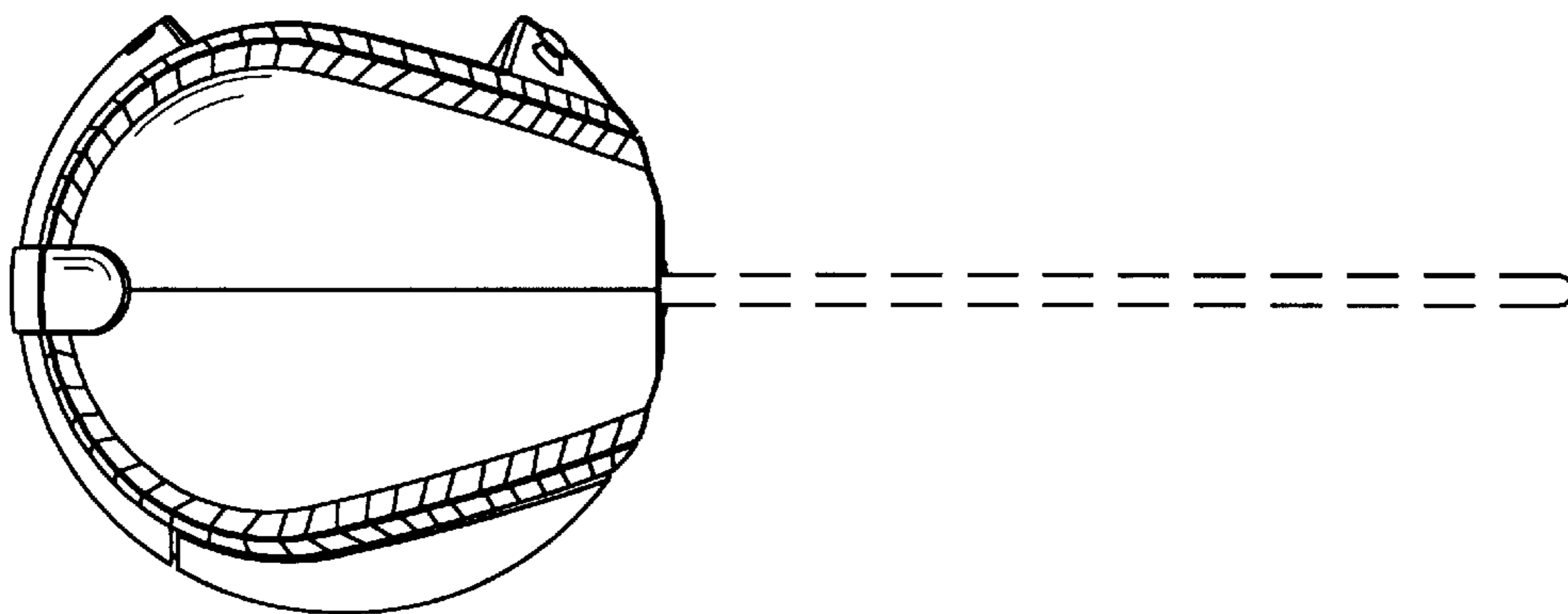


FIG. 4

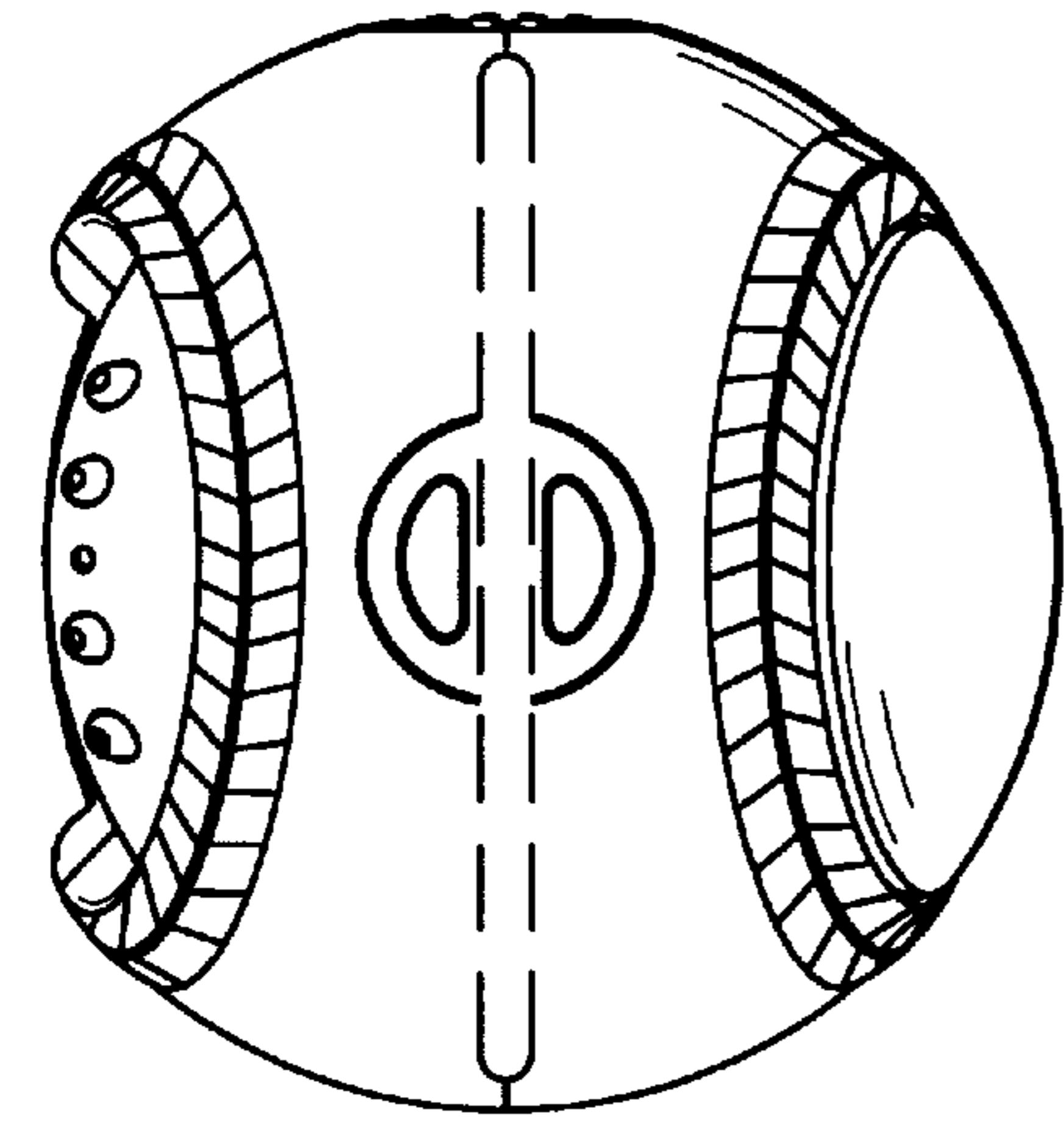


FIG. 7

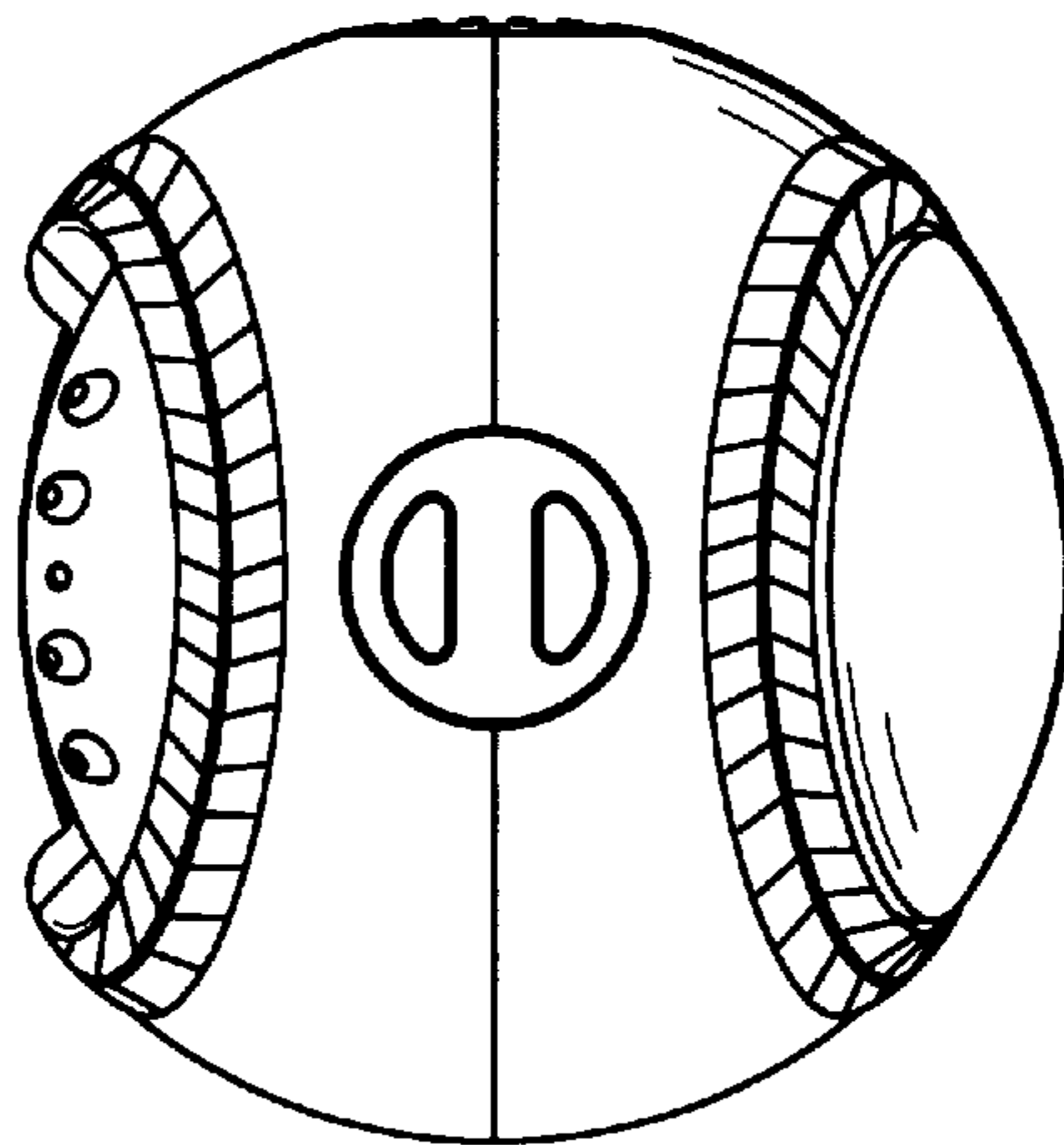


FIG. 8

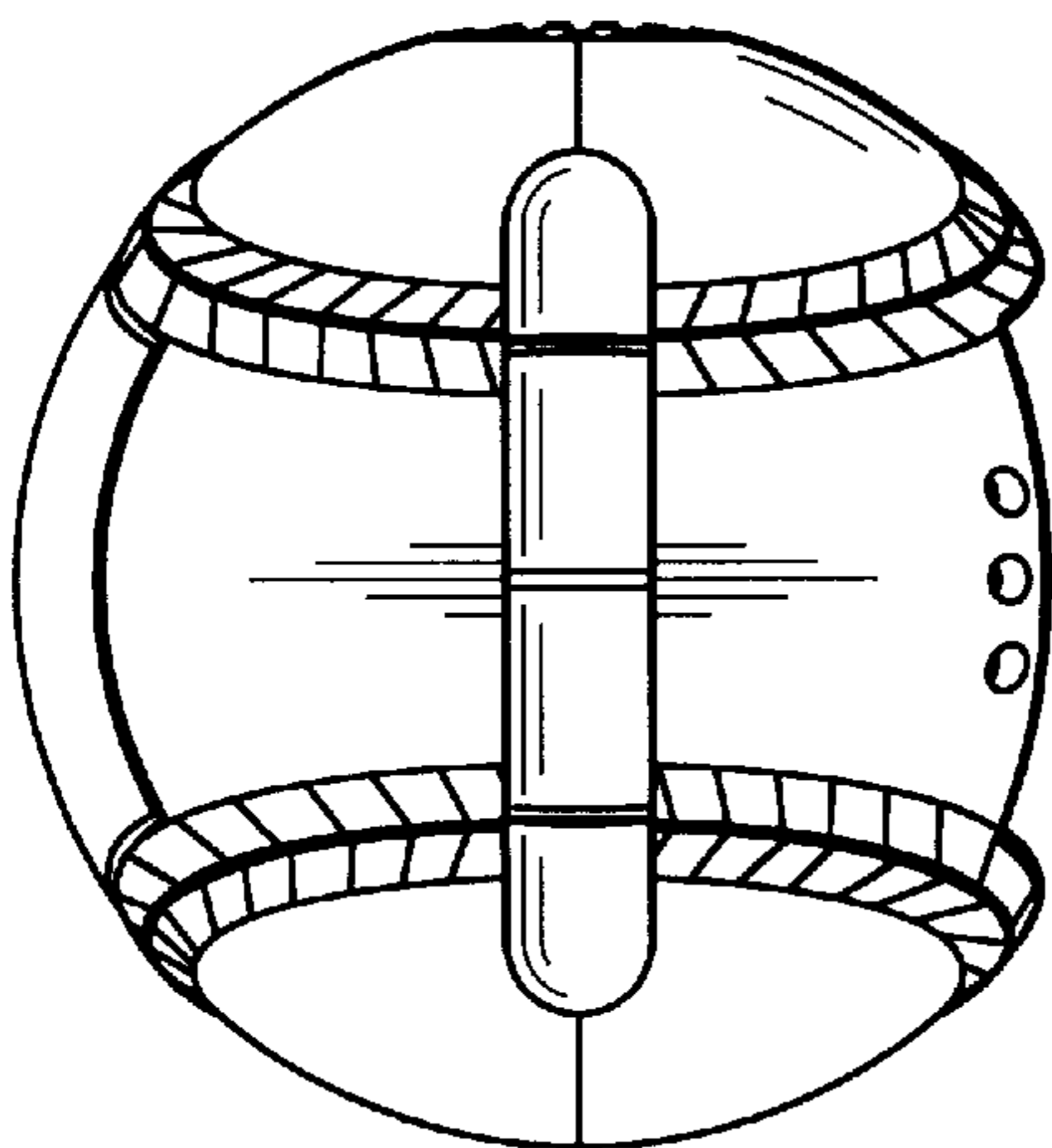


FIG. 6