



US00D436380S

(12) **United States Design Patent**  
**Brettschneider**

(10) **Patent No.:** **US D436,380 S**  
(45) **Date of Patent:** **\*\* Jan. 16, 2001**

(54) **CASING FOR COIN OPERATED GAME MACHINE**

5,558,340 \* 9/1996 Ibe et al. .... 273/448  
5,591,081 \* 1/1997 Suzuki ..... 463/7  
5,836,819 \* 11/1998 Ugawa ..... 463/30  
5,851,147 \* 12/1998 Stupak et al. .... 463/13

(75) Inventor: **Dirk Brettschneider**, Lübecke (DE)

(73) Assignee: **adp Gauselmann GmbH**, Espelkamp (DE)

(\*\*) Term: **14 Years**

(21) Appl. No.: **29/121,751**

(22) Filed: **Apr. 12, 2000**

(51) **LOC (7) Cl.** ..... **21-01**

(52) **U.S. Cl.** ..... **D21/325**

(58) **Field of Search** ..... D21/324-328,  
D21/333; 273/148 B, 440-443, 454, 455,  
456, 459-461; 463/1, 5, 7, 10-22, 29-35,  
46, 47

**OTHER PUBLICATIONS**

Silicon Gaming (Information About Odyssey Multi-Game Platform Downloaded From Internet—1 page), No Date Known.

Bally Gaming Systems (Information About Products Downloaded From Internet—3 pages), No Date Known.

\* cited by examiner

*Primary Examiner*—Prabhakar Deshmukh

(74) *Attorney, Agent, or Firm*—Horst M. Kasper

(57) **CLAIM**

The ornamental design for a casing for coin operated game machine, as shown and described.

(56) **References Cited**

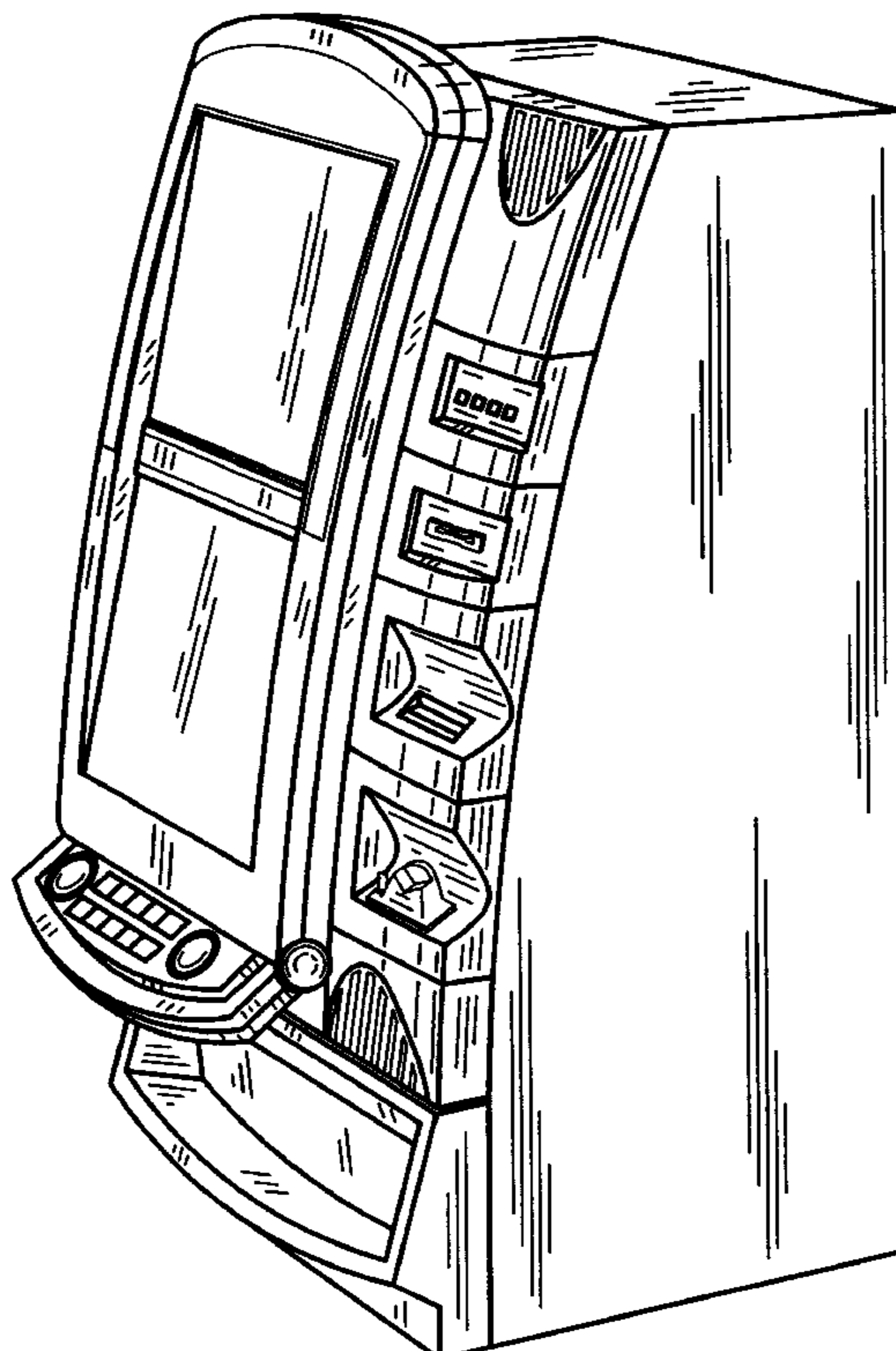
**U.S. PATENT DOCUMENTS**

D. 327,508	*	6/1992	Mirando et al. ....	D21/325
D. 378,224		2/1997	Brettschneider .....	D21/37
D. 378,604		3/1997	Brettschneider .....	D21/37
D. 378,929		4/1997	Brettschneider .....	D21/37
D. 381,697		7/1997	Brettschneider .....	D21/37
D. 381,698		7/1997	Brettschneider .....	D21/37
D. 381,699		7/1997	Brettschneider .....	D21/37
D. 381,700		7/1997	Brettschneider .....	D21/38
5,022,653	*	6/1991	Suttle et al. ....	463/13
5,411,257	*	5/1995	Fulton .....	463/13

**DESCRIPTION**

FIG. 1 is a perspective view of a casing for coin operated game machine showing my new design;  
FIG. 2 is a front view thereof;  
FIG. 3 is a front and right side perspective view thereof;  
FIG. 4 is a left side view thereof;  
FIG. 5 is a rear view thereof;  
FIG. 6 is a top view thereof; and,  
FIG. 7 is a bottom view thereof.

**1 Claim, 6 Drawing Sheets**



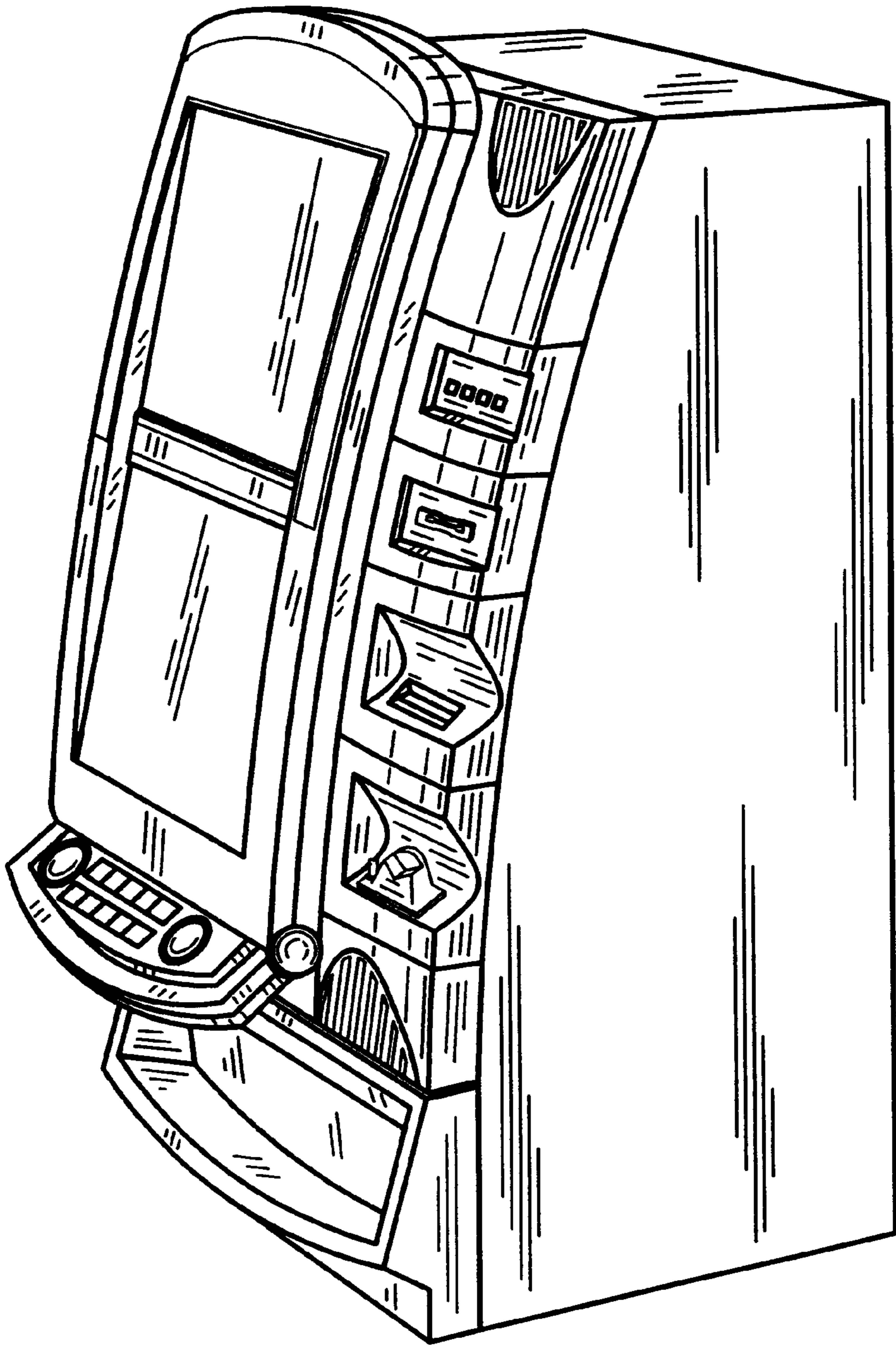


Fig. 1

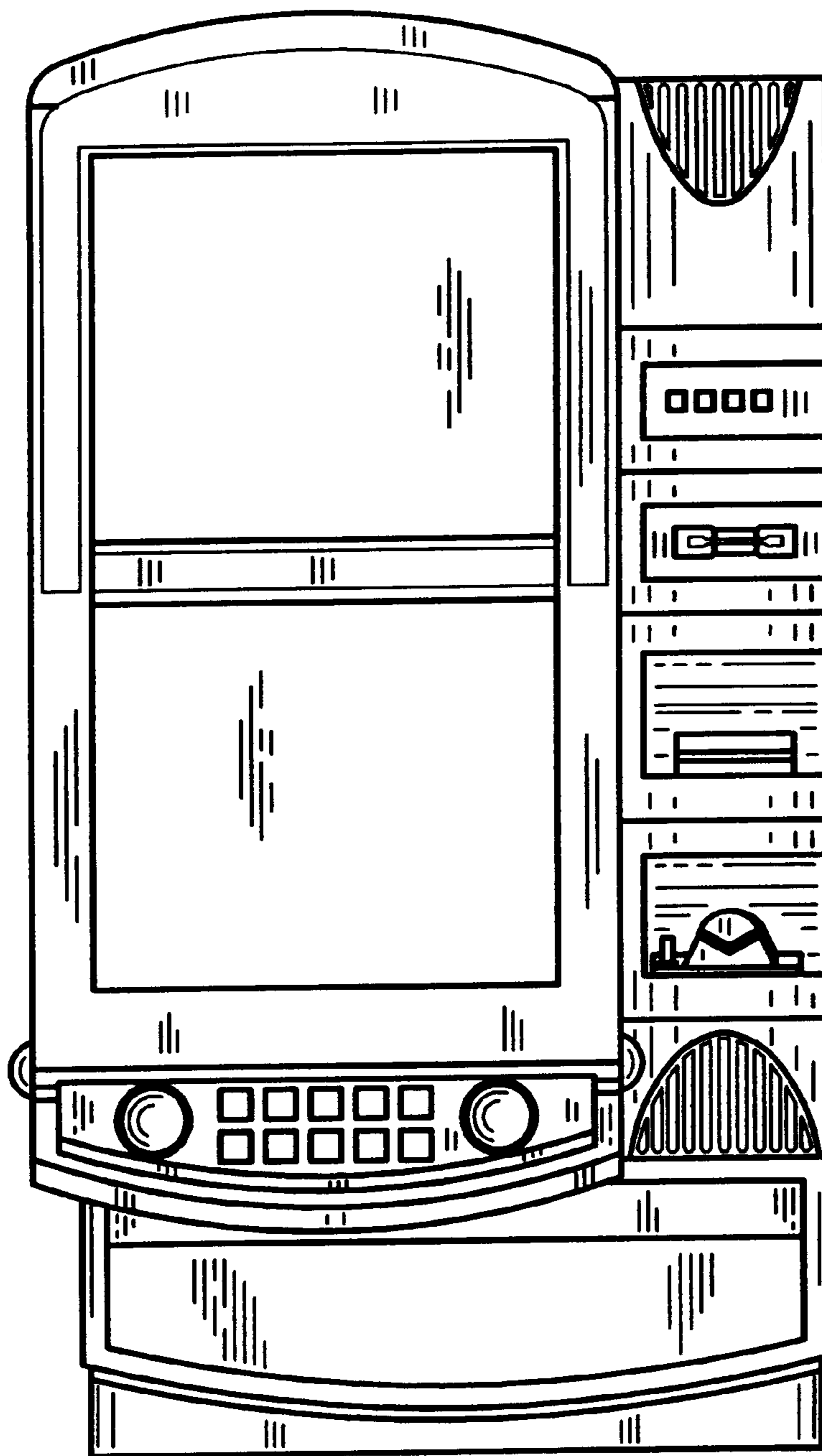


Fig.2

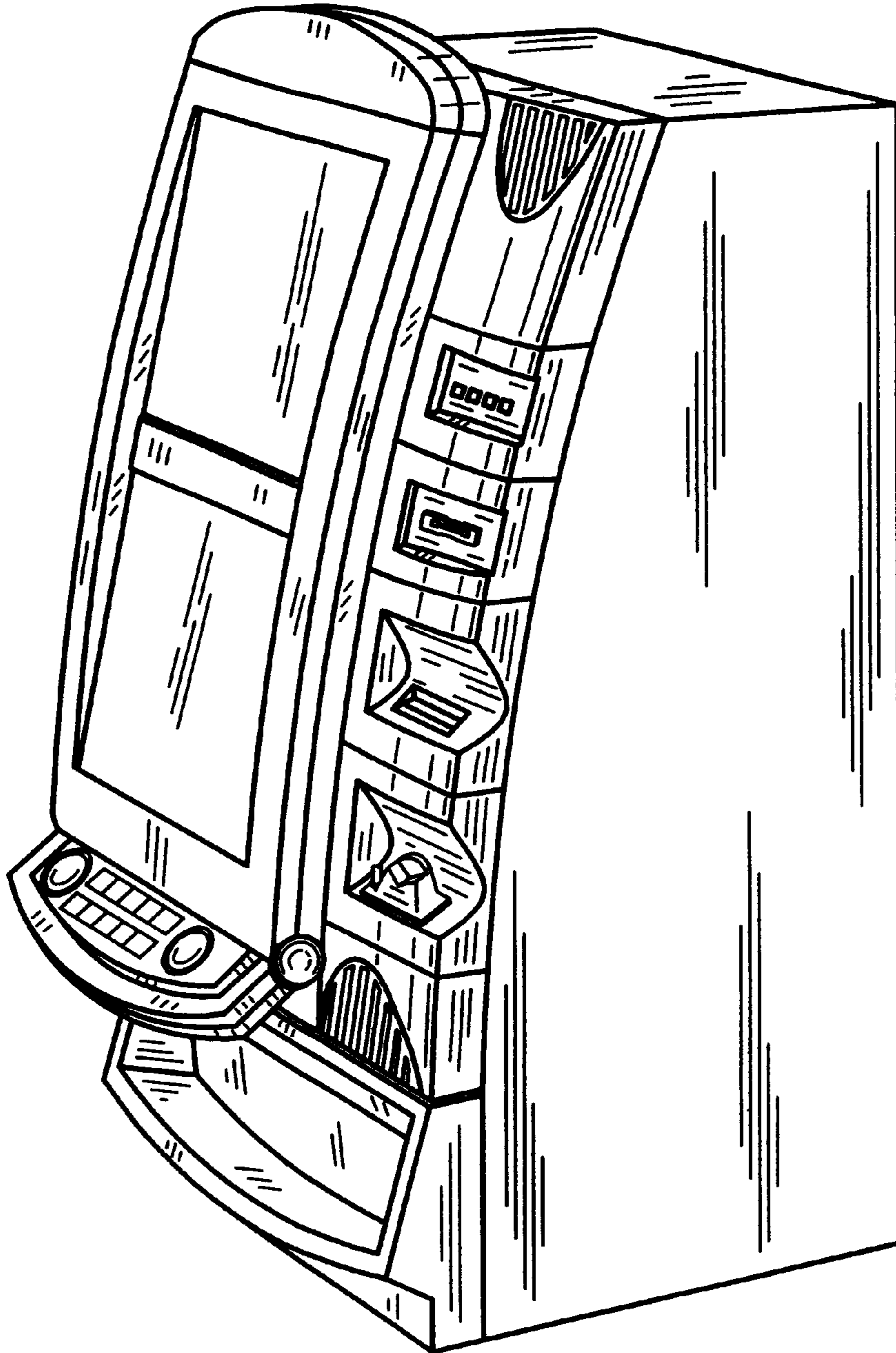


Fig.3

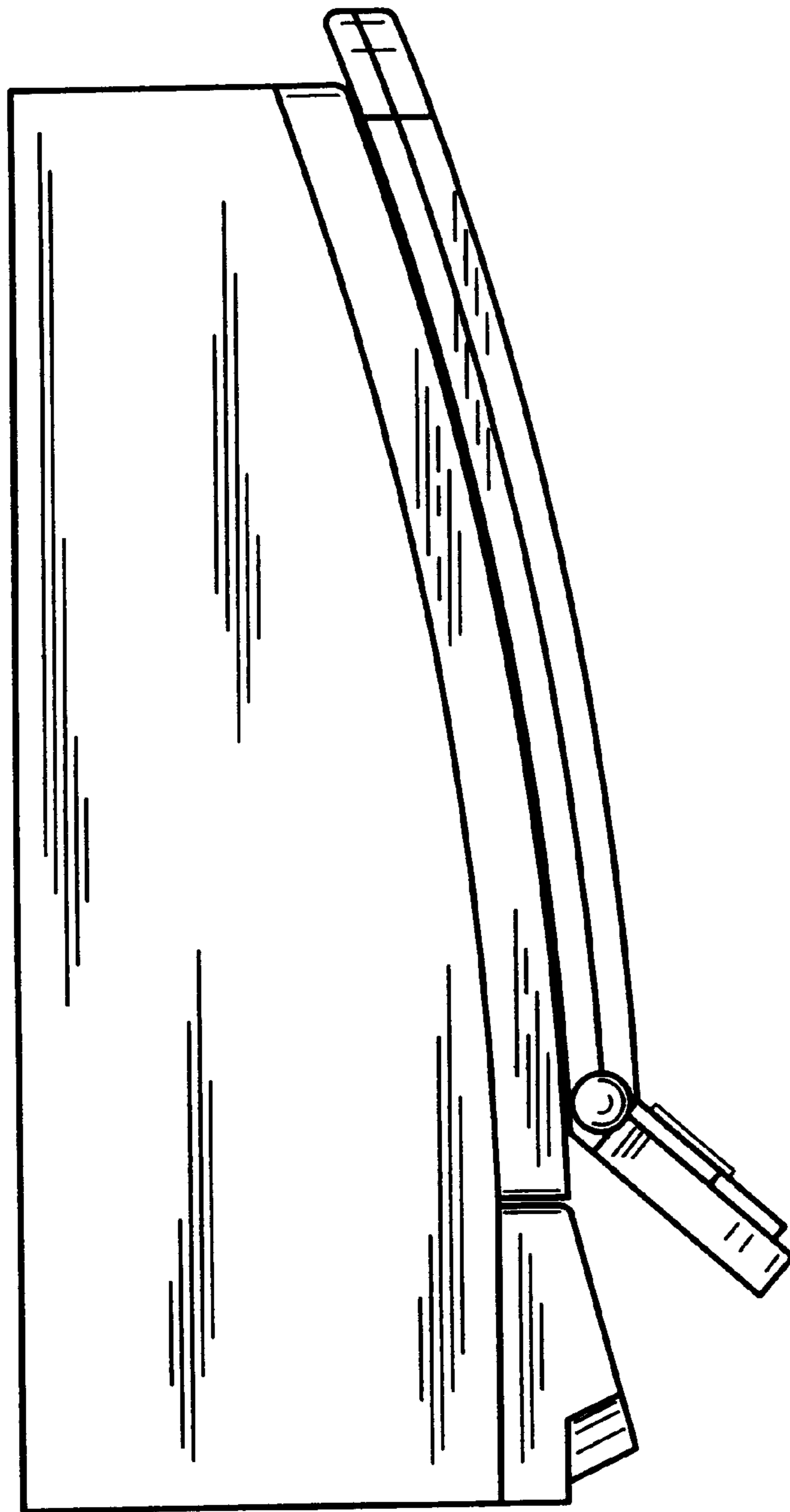


Fig.4

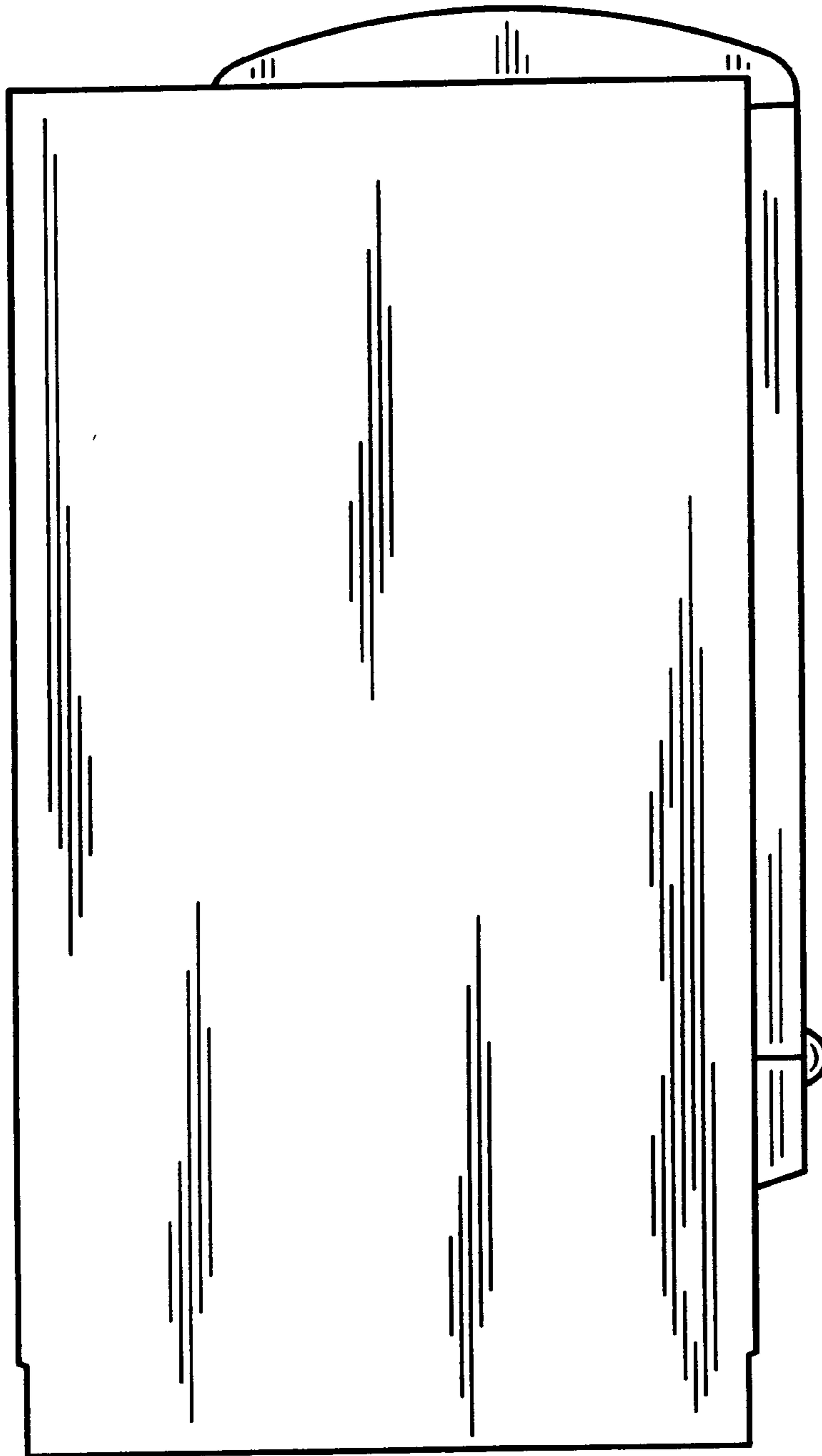


Fig.5

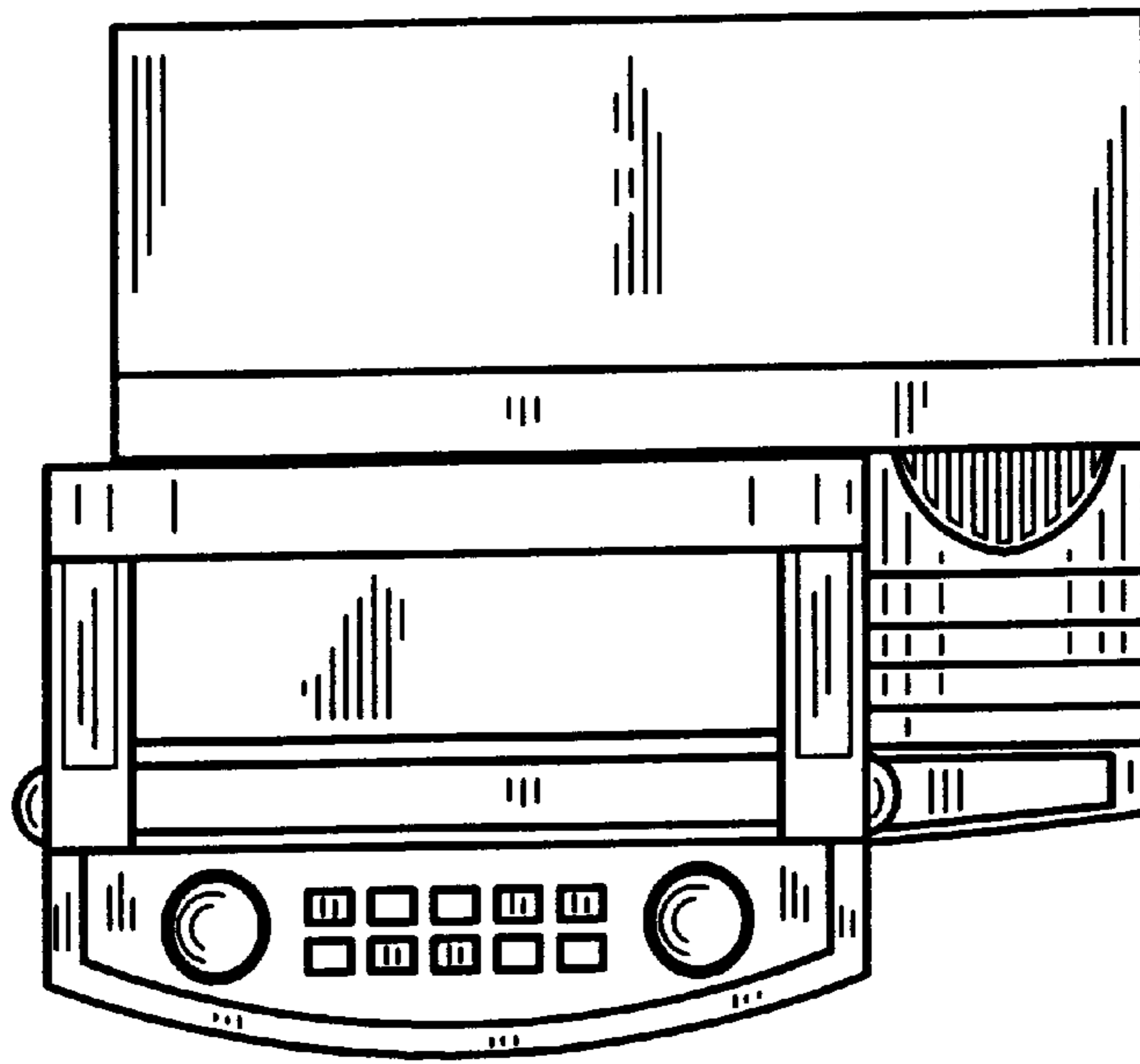


Fig.6

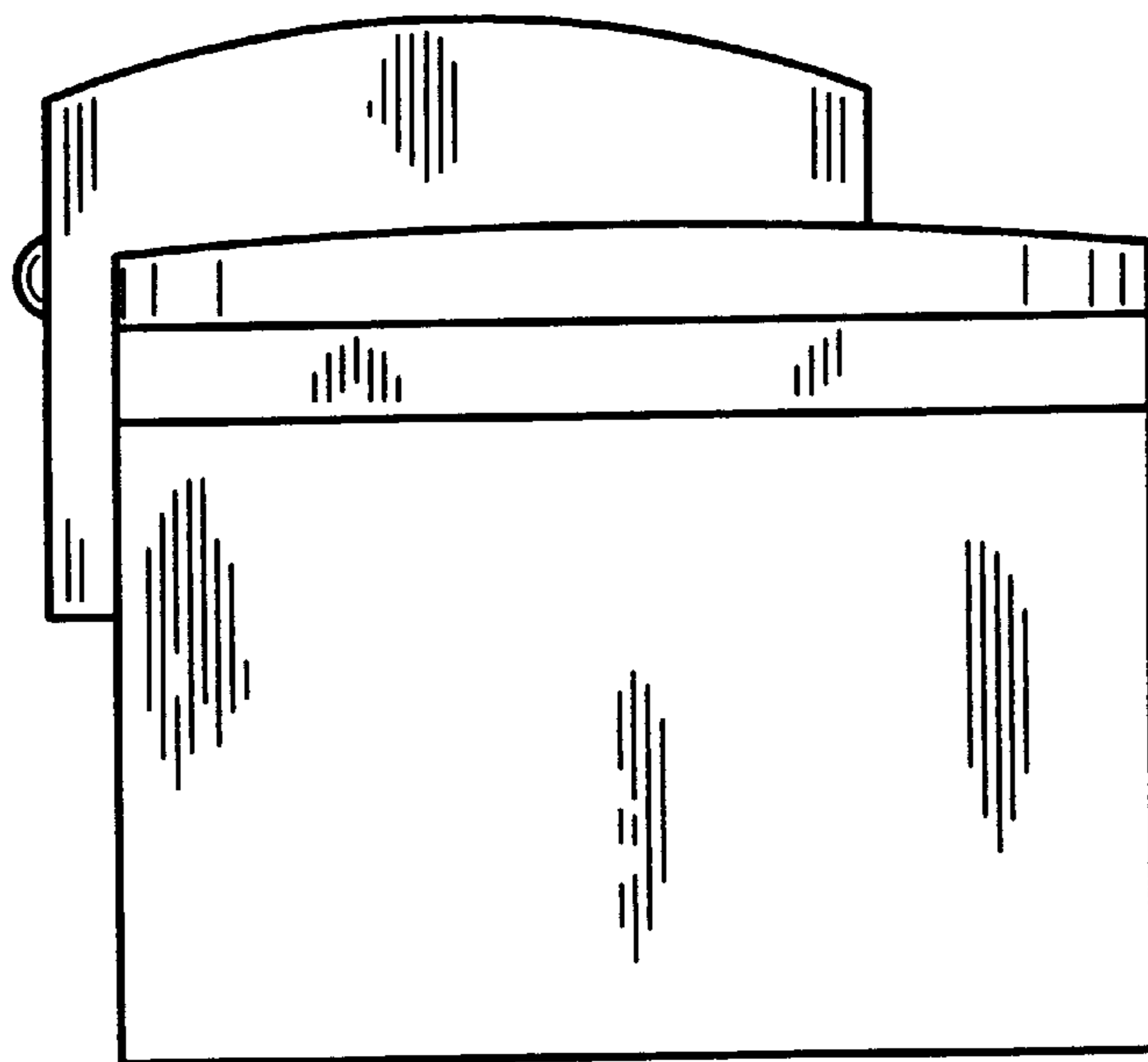


Fig.7