



US00D436379S

(12) **United States Design Patent**  
**Holmberg**

(10) **Patent No.:** **US D436,379 S**

(45) **Date of Patent:** **\*\* Jan. 16, 2001**

(54) **DISPLAY UNIT**

(76) **Inventor:** **Torbjorn Holmberg**, Orviksvagen 13,  
93 233 Skelleftehamn (SE)

(\*\*) **Term:** **14 Years**

(21) **Appl. No.:** **29/124,101**

(22) **Filed:** **May 31, 2000**

(51) **LOC (7) Cl.** ..... **20-02**

(52) **U.S. Cl.** ..... **D20/40**

(58) **Field of Search** ..... D20/10, 40, 42;  
40/493, 617, 642, 661, 584, 624

(56) **References Cited**

**U.S. PATENT DOCUMENTS**

- D. 350,566 \* 9/1994 Pearson ..... D20/40
- D. 372,499 \* 8/1996 Carlson et al. .... D20/40
- D. 380,235 \* 6/1997 Gruneisen, III ..... D20/43

\* cited by examiner

*Primary Examiner*—Marcus A. Jackson

(74) *Attorney, Agent, or Firm*—Fasth Law Offices; Rolf Fasth

(57) **CLAIM**

The ornamental design of a display unit, as shown and described.

**DESCRIPTION**

FIG. 1 is a perspective view of the display unit of the present invention;

FIG. 2 is a left elevational view of the display unit shown in FIG. 1;

FIG. 3 is a right elevational view of the display unit shown in FIG. 2;

FIG. 4 is a front elevational view of the display unit shown in FIG. 2;

FIG. 5 is a rear elevational view of the display unit shown in FIG. 2;

FIG. 6 is a top view of the display unit shown in FIG. 2; and,

FIG. 7 is a bottom view of the display unit shown in FIG. 2.

**1 Claim, 3 Drawing Sheets**

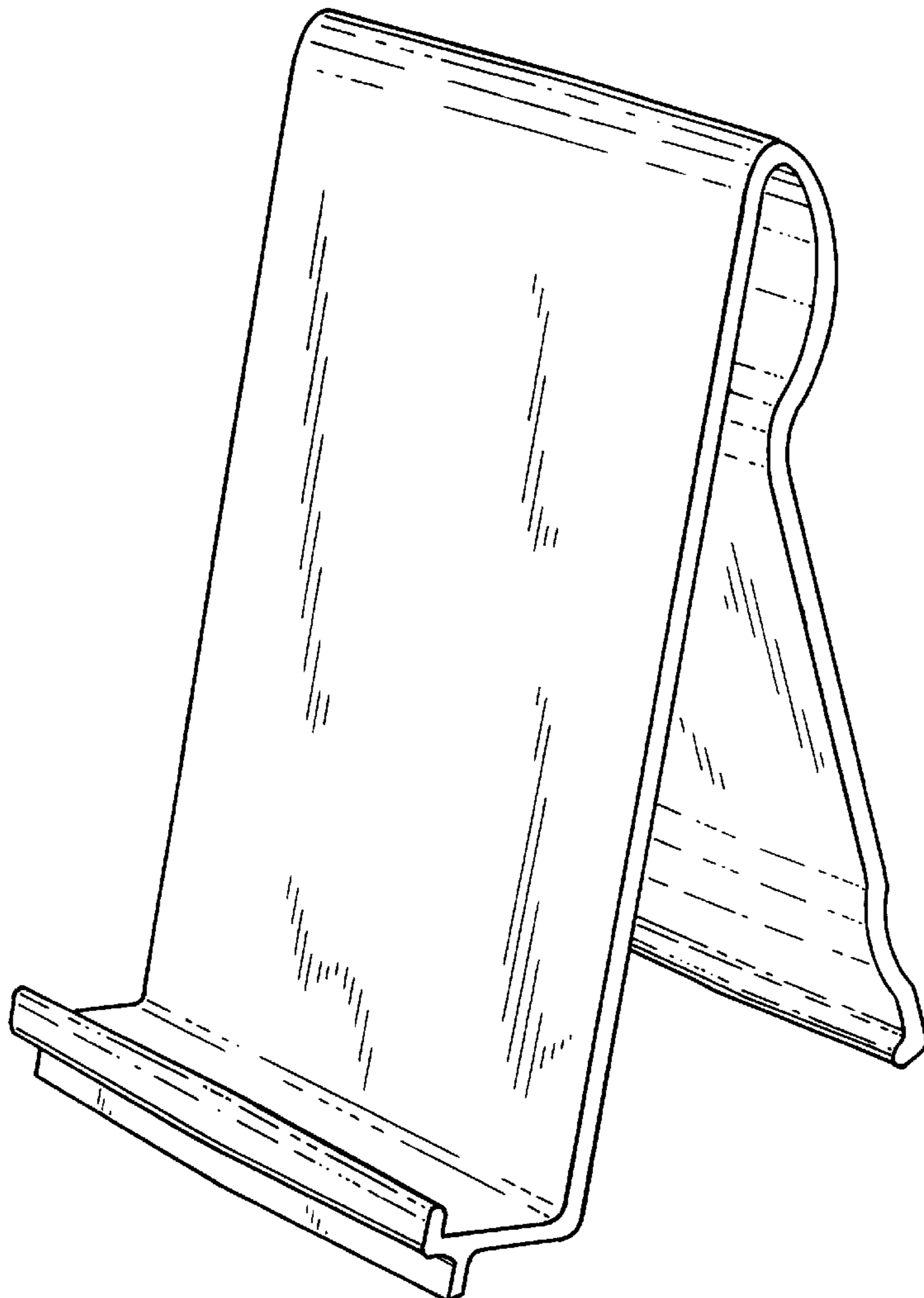
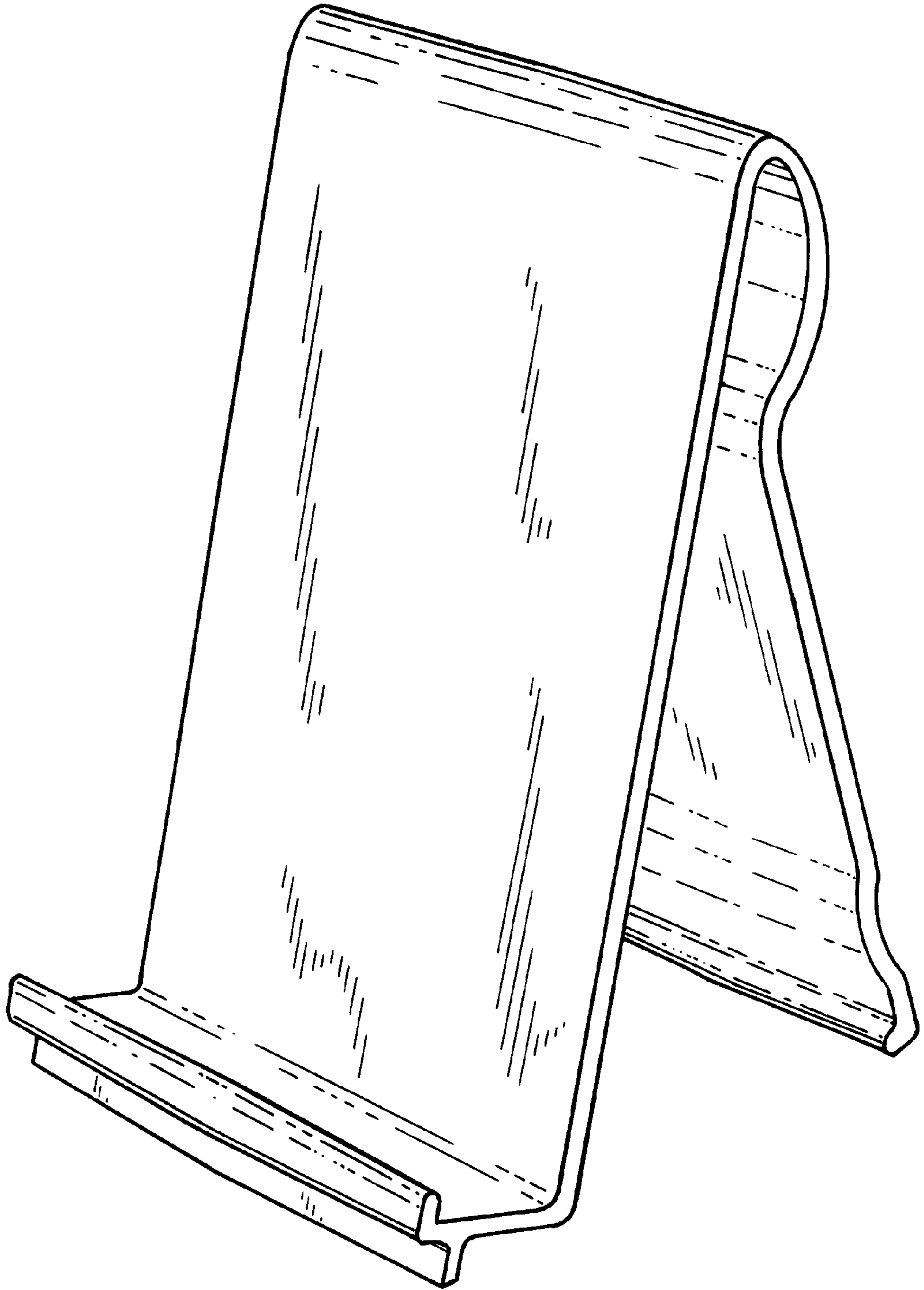


FIG. 1



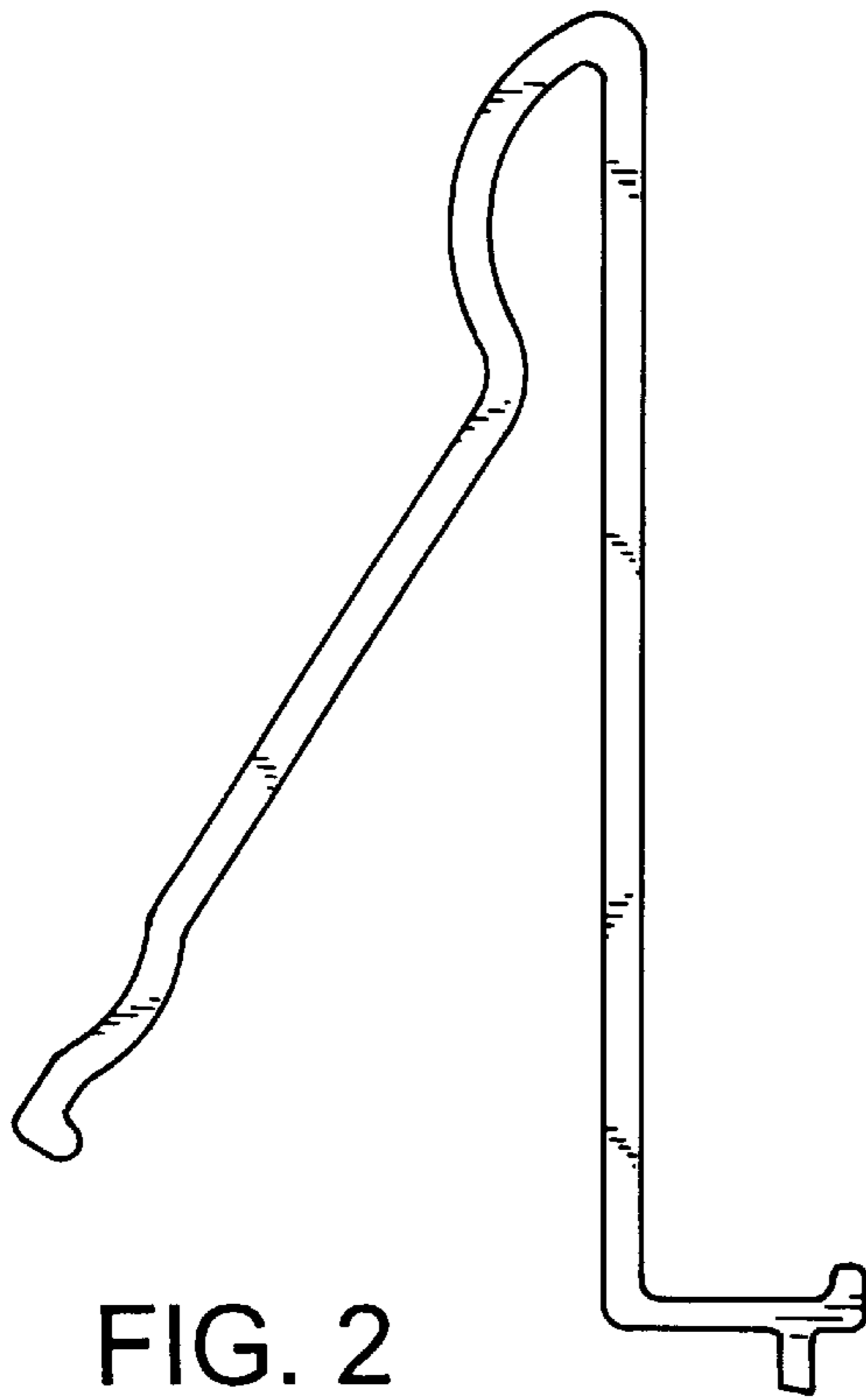


FIG. 2

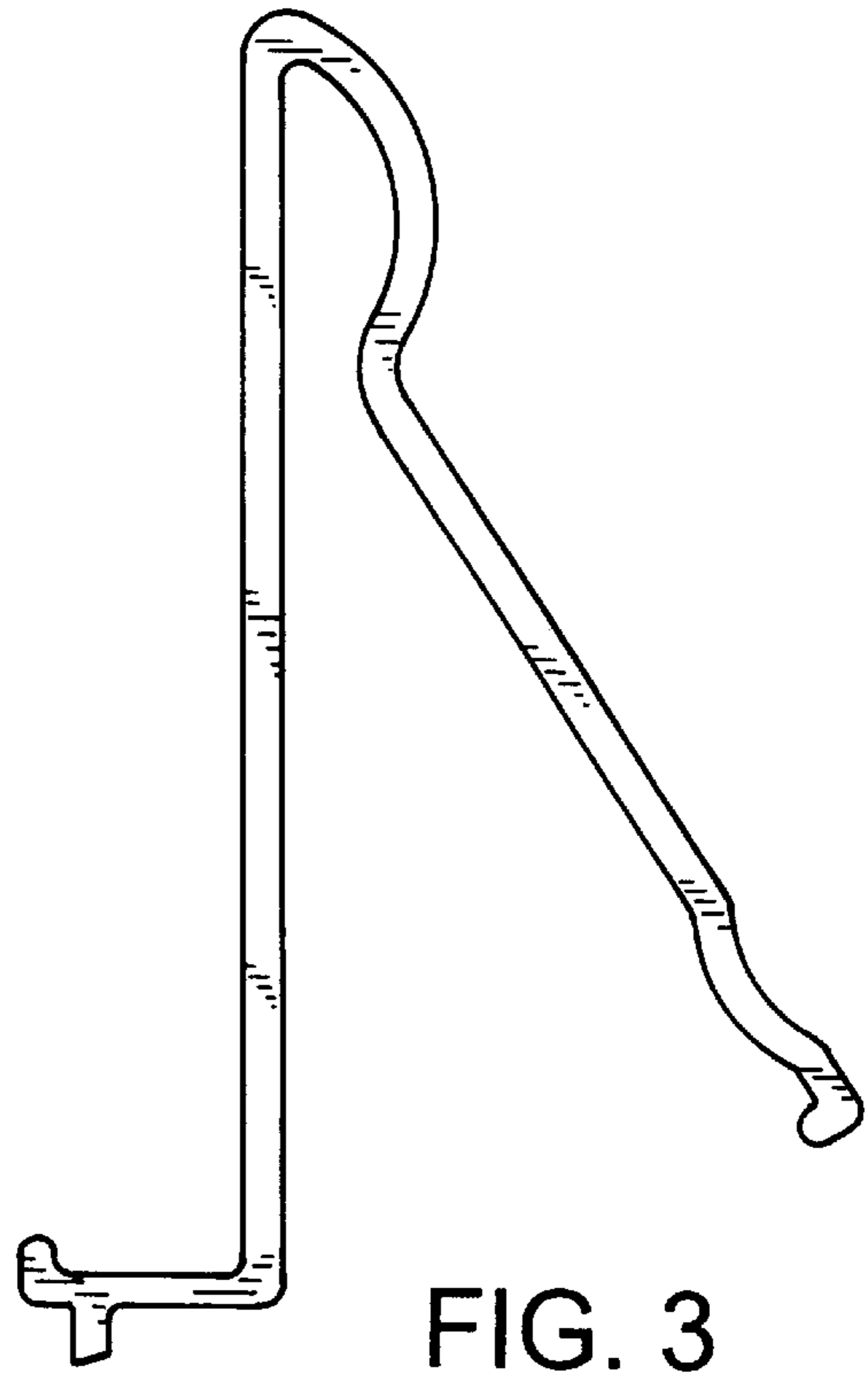


FIG. 3

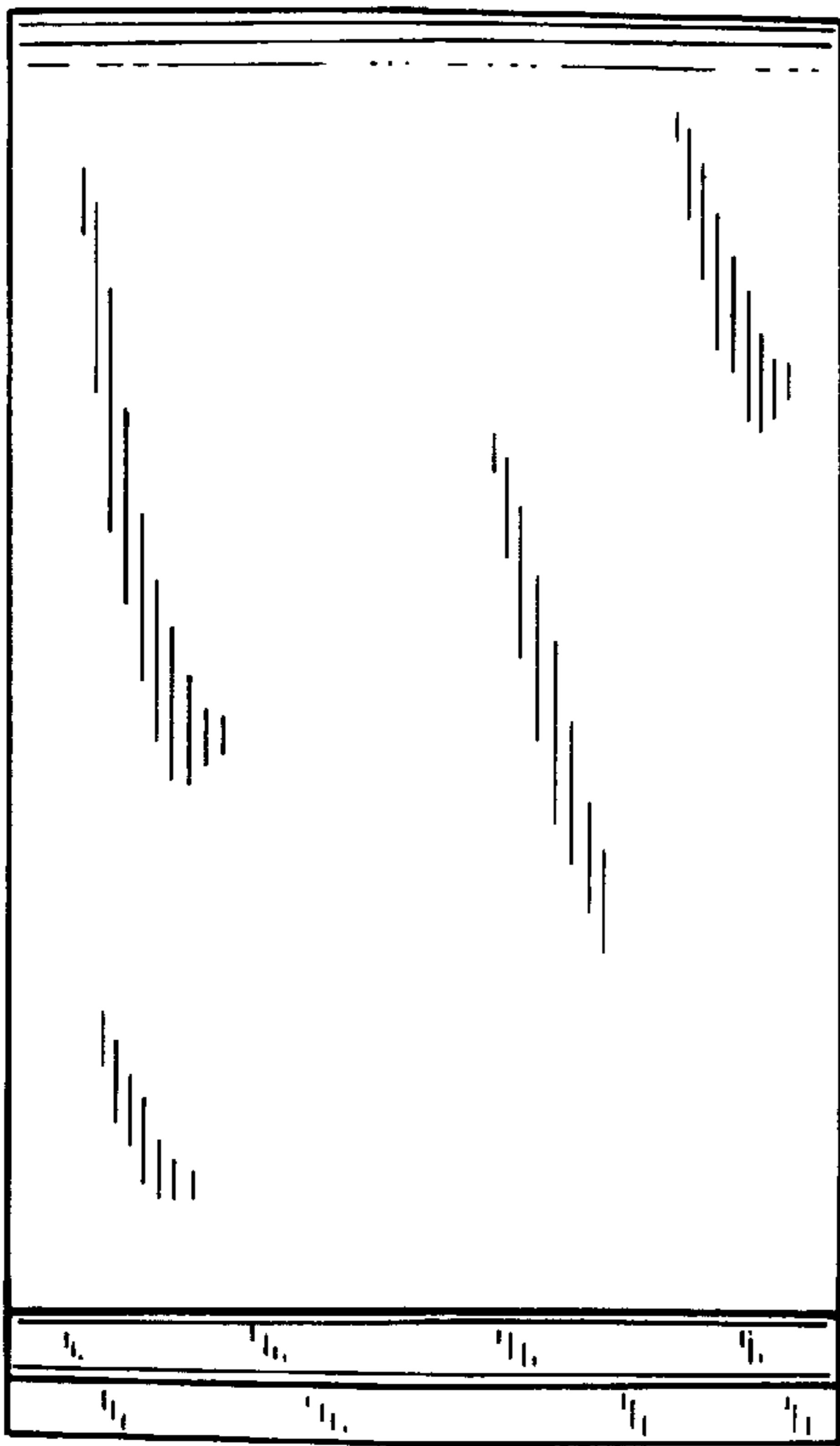


FIG. 4

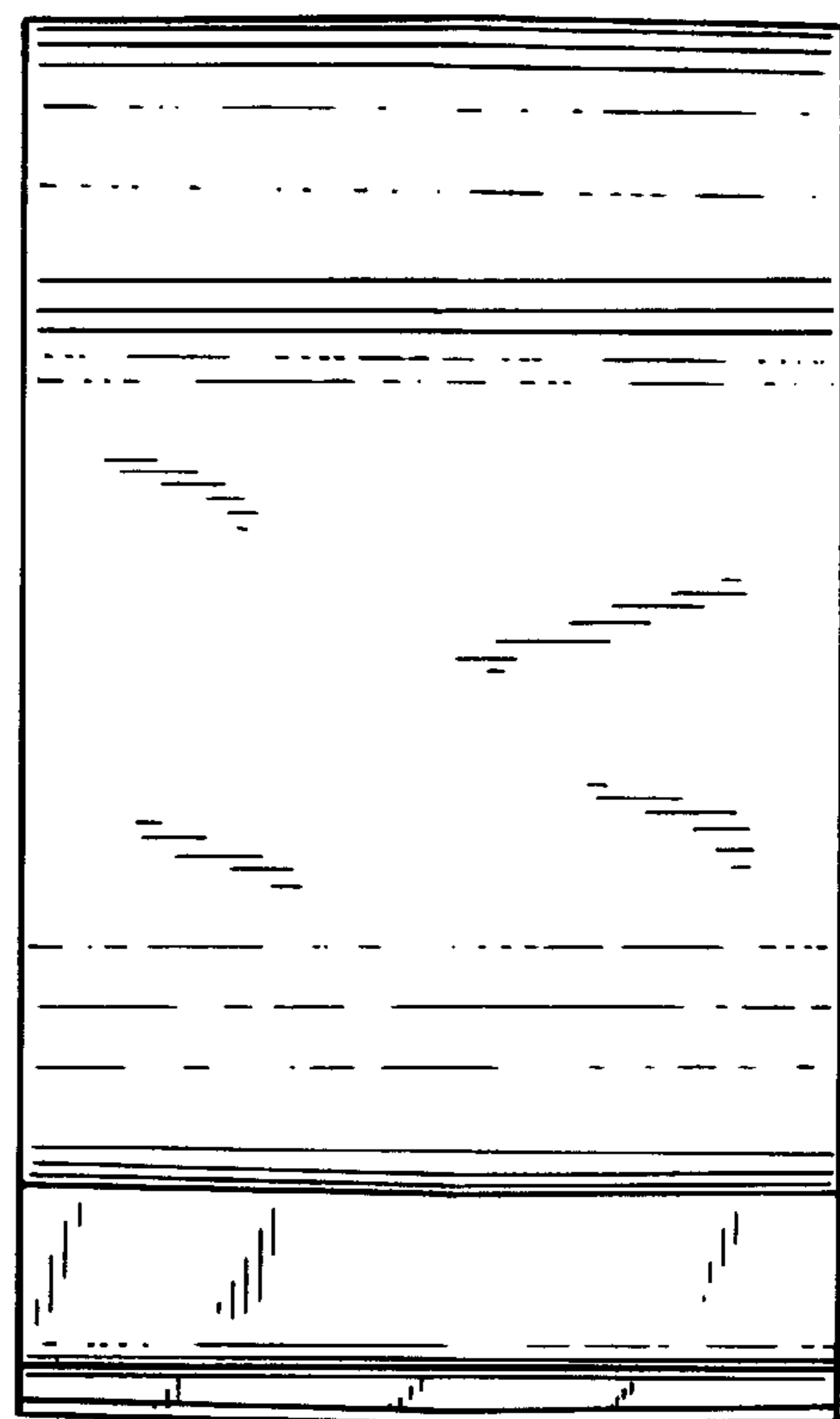


FIG. 5

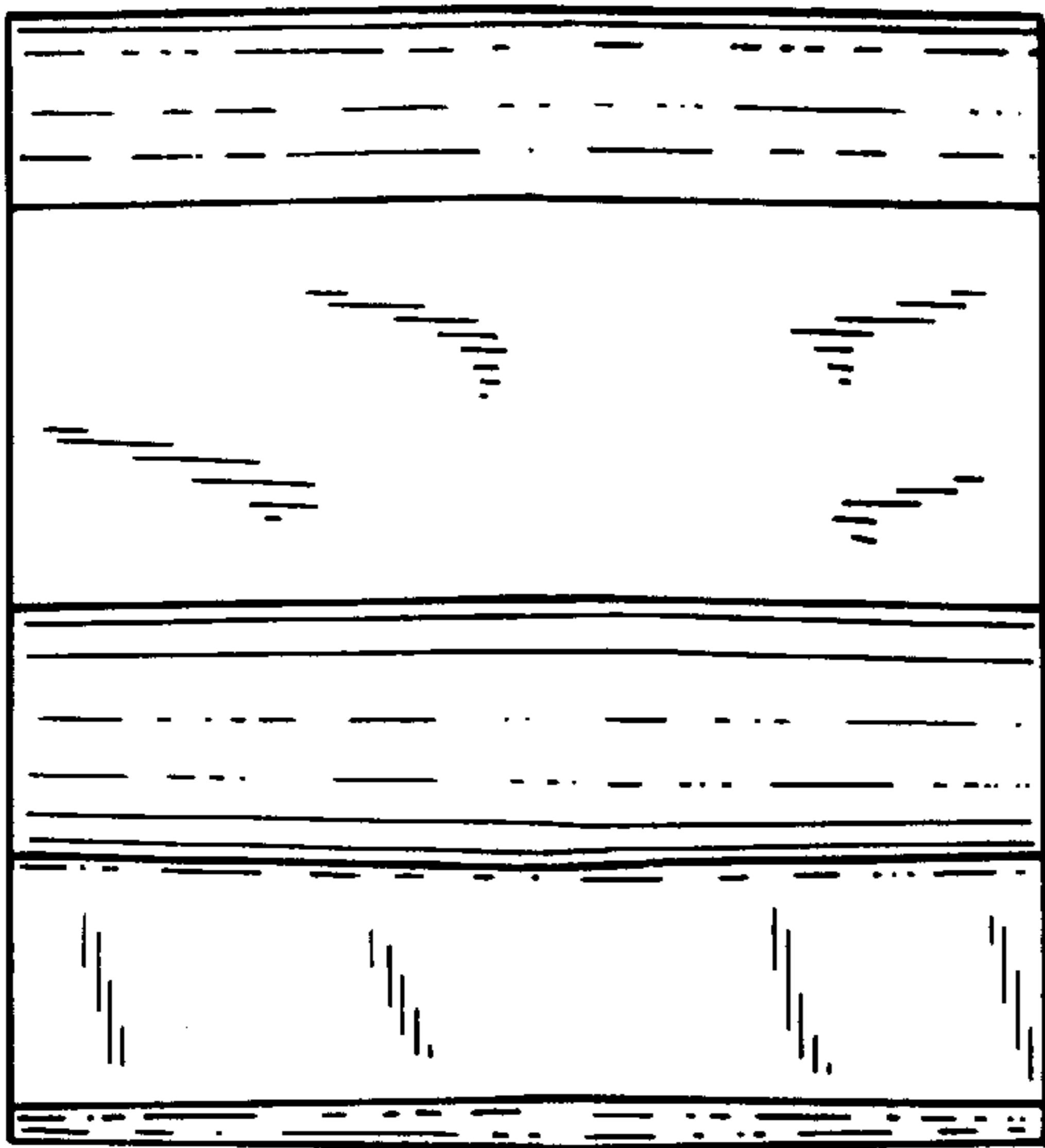


FIG. 6

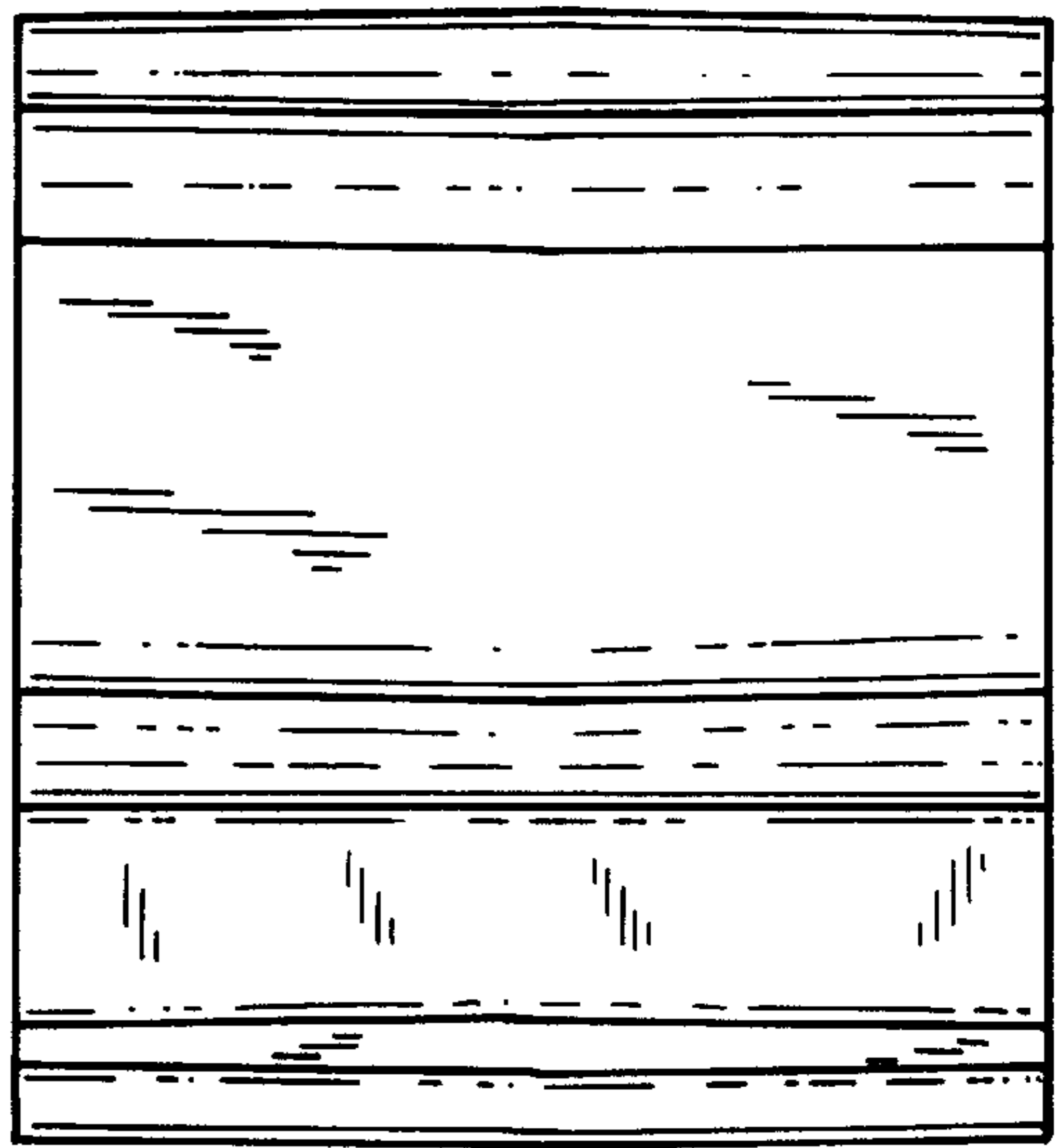


FIG. 7