



US00D436377S

(12) **United States Design Patent**  
**Young et al.**

(10) **Patent No.:** **US D436,377 S**  
(45) **Date of Patent:** **\*\* Jan. 16, 2001**

- (54) **DESKTOP ORGANIZER WITH CLOCK**
- (75) Inventors: **Wei Young**, Long Island City, NY  
(US); **Sik-Leung Chan**, Tsuen Wan  
(HK)
- (73) Assignee: **C.C. & L Company Limited**, Tsuen  
Wan (CN)
- (\*\*) Term: **14 Years**
- (21) Appl. No.: **29/116,963**
- (22) Filed: **Jan. 13, 2000**
- (51) **LOC (7) Cl.** ..... **19-06**
- (52) **U.S. Cl.** ..... **D19/78; D19/83; D19/92;**  
D19/75; D10/2; D10/15
- (58) **Field of Search** ..... D10/2, 15; D19/65,  
D19/75, 77, 78, 81-85, 86, 92, 95, 99,  
100; 368/10; 206/214, 215, 224, 371, 555;  
211/69.1-69.9, 10, 11, 50, 55, 126.13

- (56) **References Cited**
- U.S. PATENT DOCUMENTS**
- D. 102,468 \* 12/1936 McCoy ..... D10/2
- D. 156,665 \* 12/1949 Rodbell ..... D19/75
- D. 181,096 \* 10/1957 Greif ..... D19/75

- D. 209,882 \* 1/1968 Andersen ..... D19/78
- D. 264,821 \* 6/1982 Henkels ..... D10/2
- D. 276,092 \* 10/1984 Leo ..... D19/78 X
- D. 298,953 \* 12/1988 Roberts ..... D19/78
- D. 379,435 \* 5/1997 Hsu ..... D10/2

\* cited by examiner

*Primary Examiner*—Martie K. Holtje

(74) *Attorney, Agent, or Firm*—Alix, Yale & Ristas, LLP

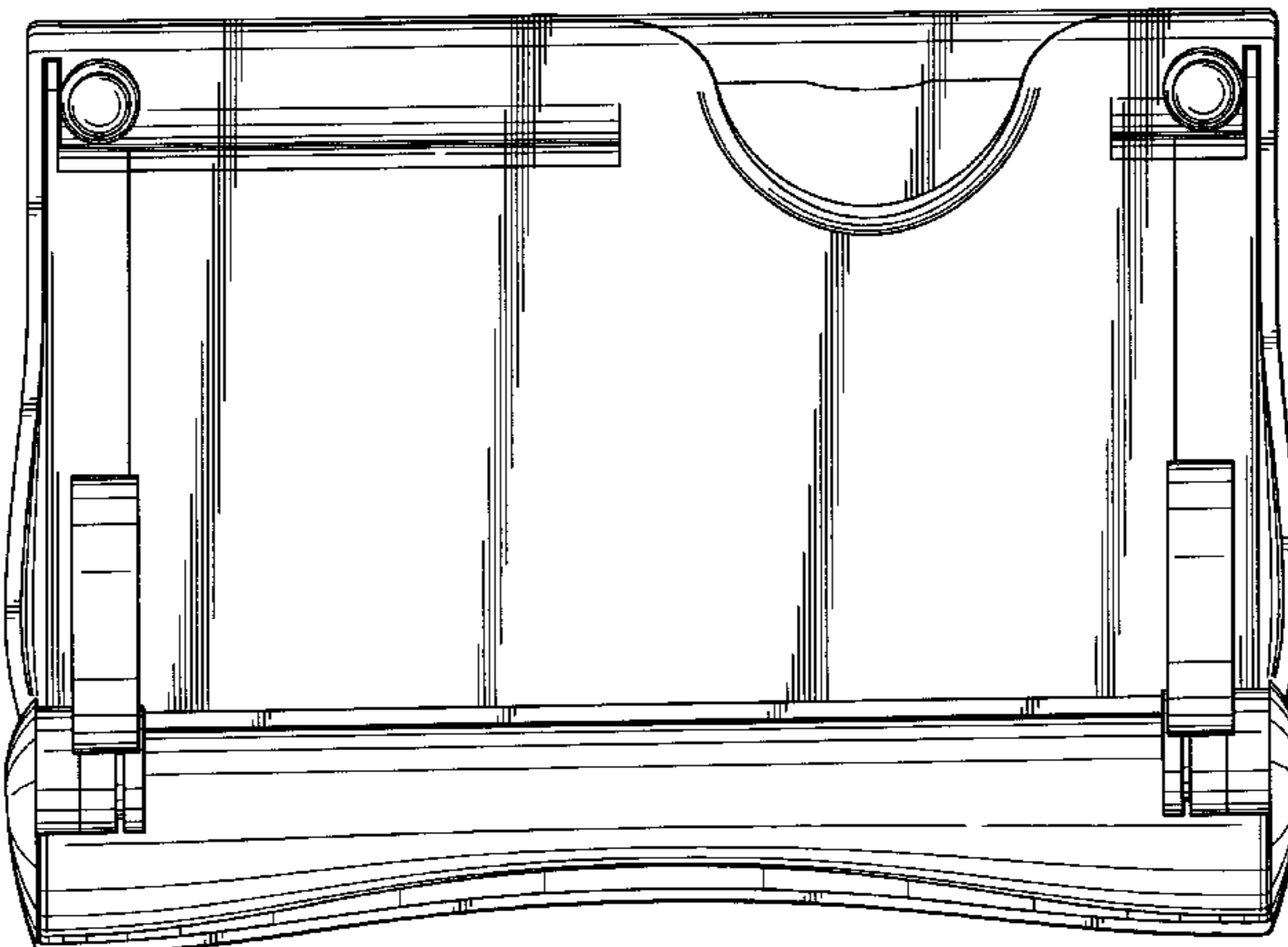
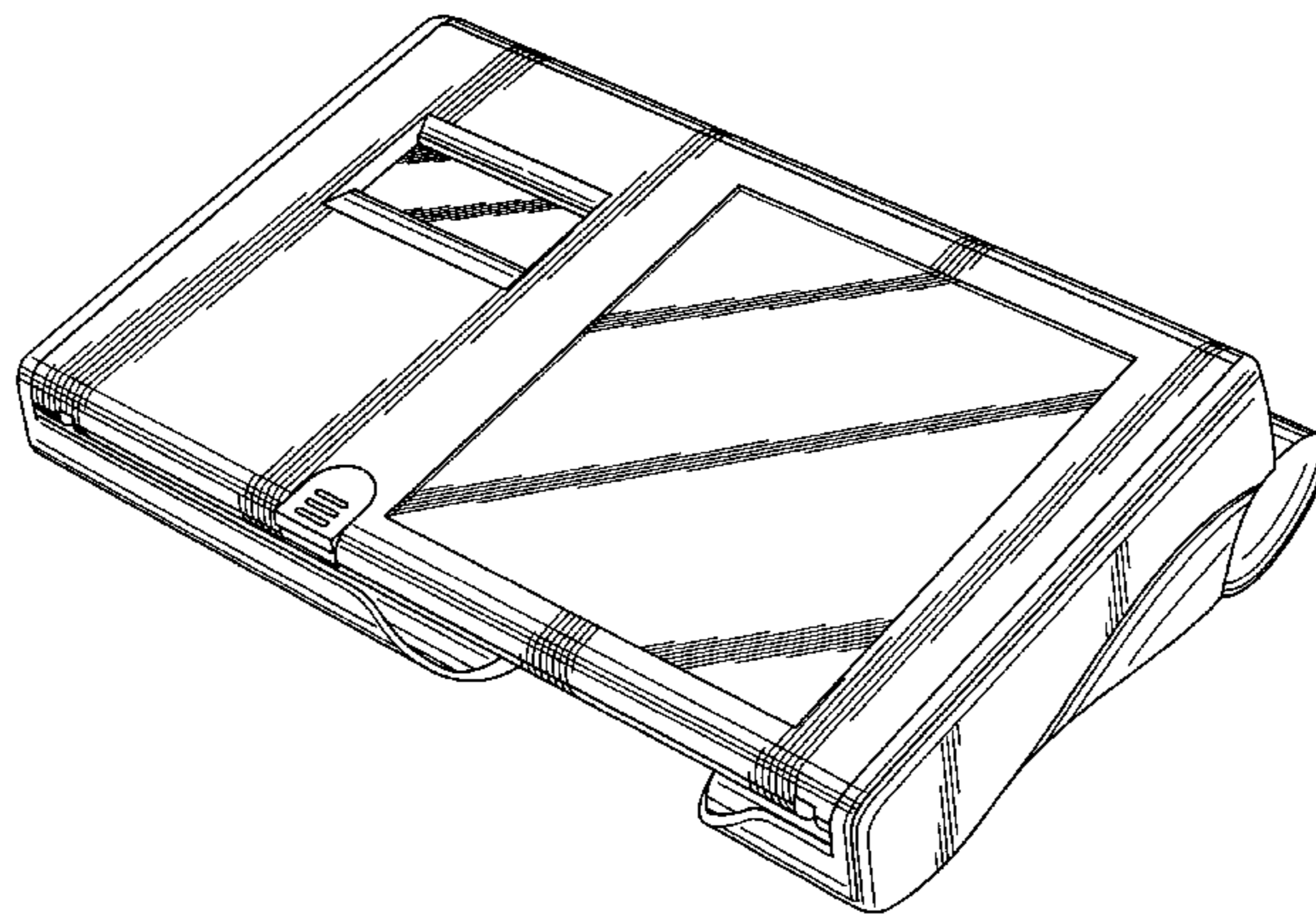
(57) **CLAIM**

The ornamental design for desktop organizer with clock, as shown and described.

**DESCRIPTION**

FIG. 1 is a perspective view of desktop organizer with clock showing our new design;  
 FIG. 2 is a rear elevational view thereof;  
 FIG. 3 is a bottom plan view thereof;  
 FIG. 4 is a front elevational view thereof;  
 FIG. 5 is a left side elevational view thereof;  
 FIG. 6 is a right side elevational view thereof;  
 FIG. 7 is a top plan view thereof; and,  
 FIG. 8 is a perspective view thereof wherein the lid is in an open position.

**1 Claim, 5 Drawing Sheets**



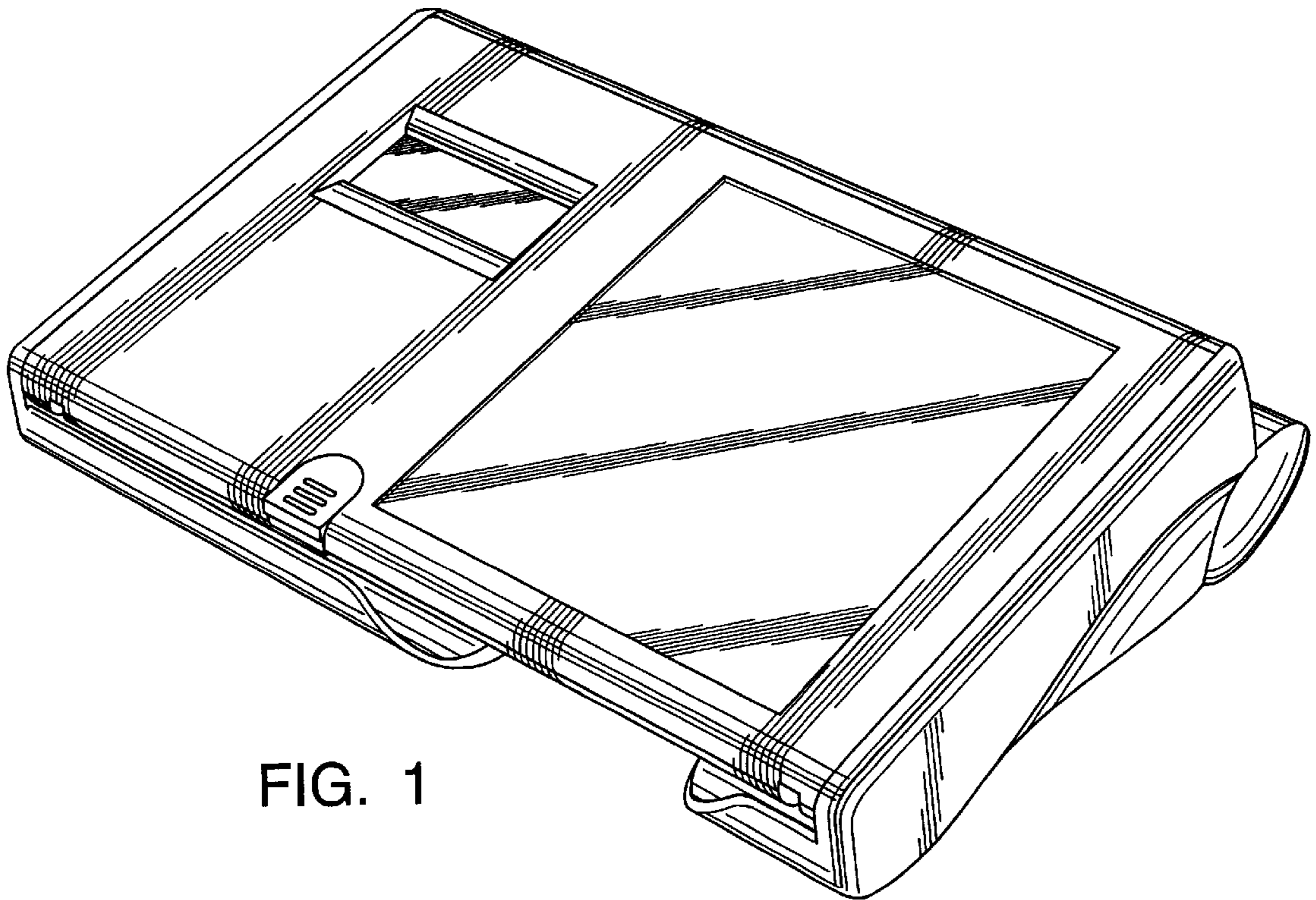


FIG. 1

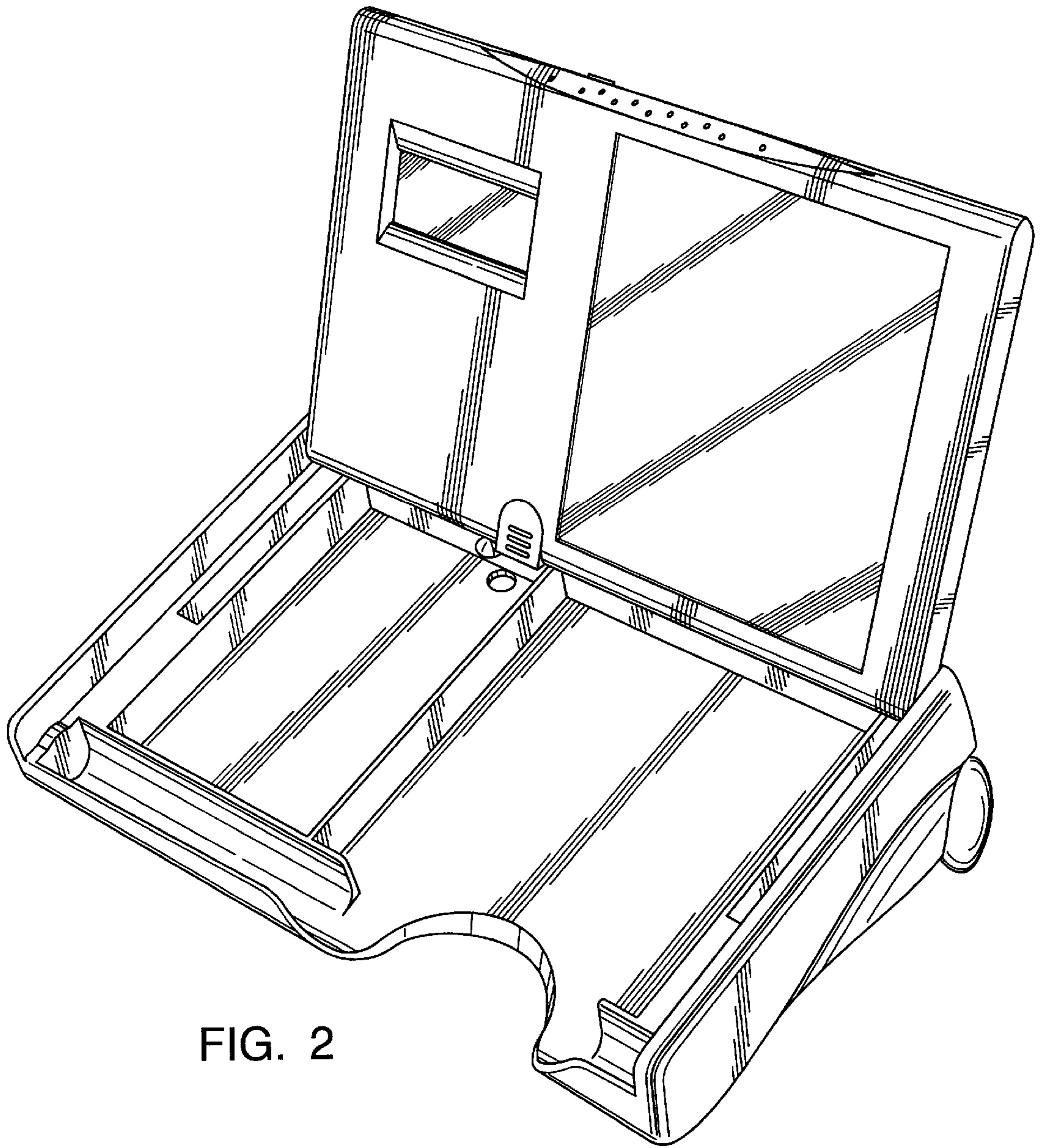


FIG. 2

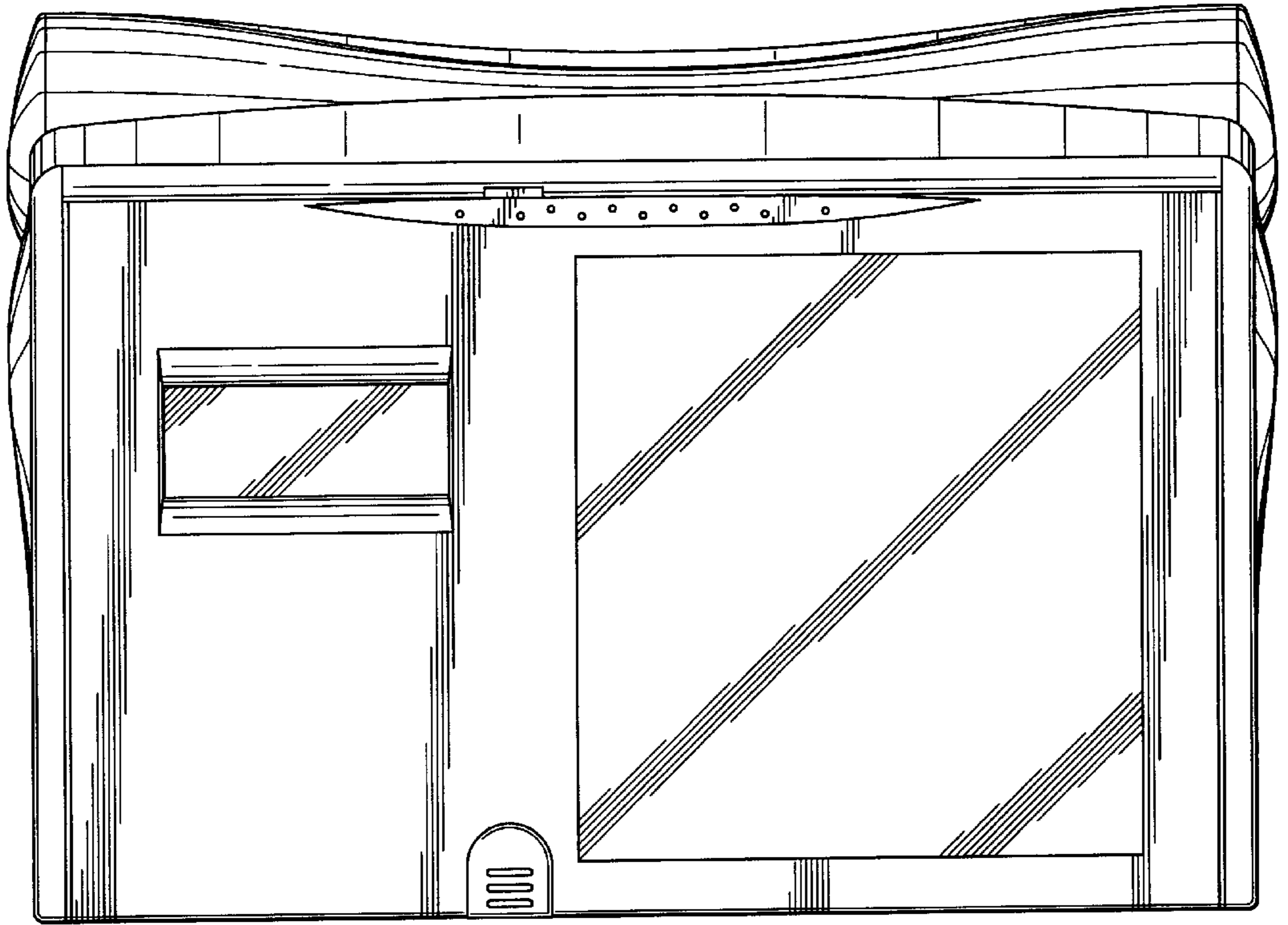


FIG. 4

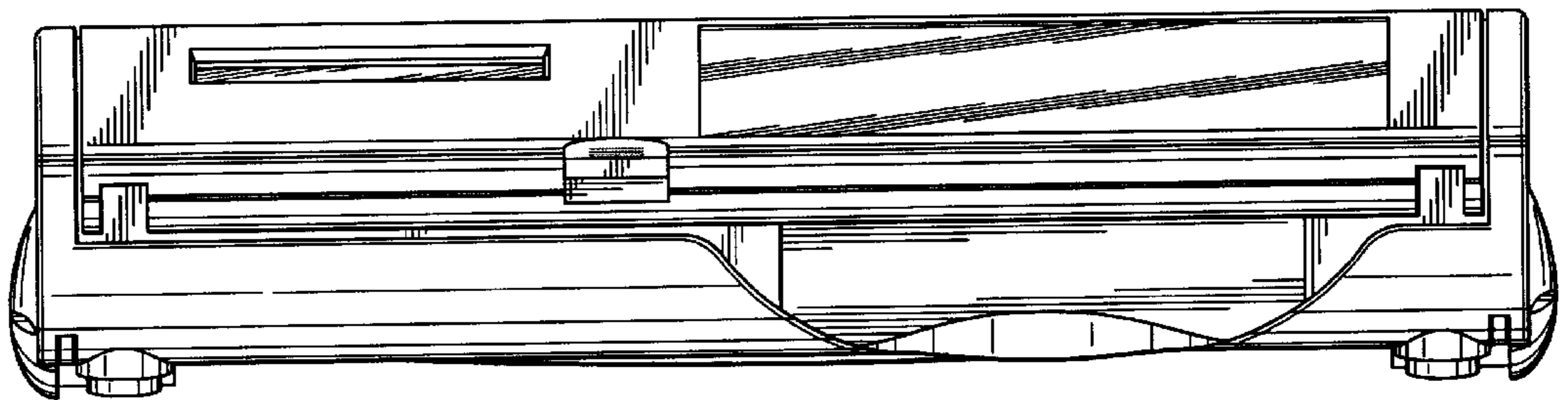


FIG. 3

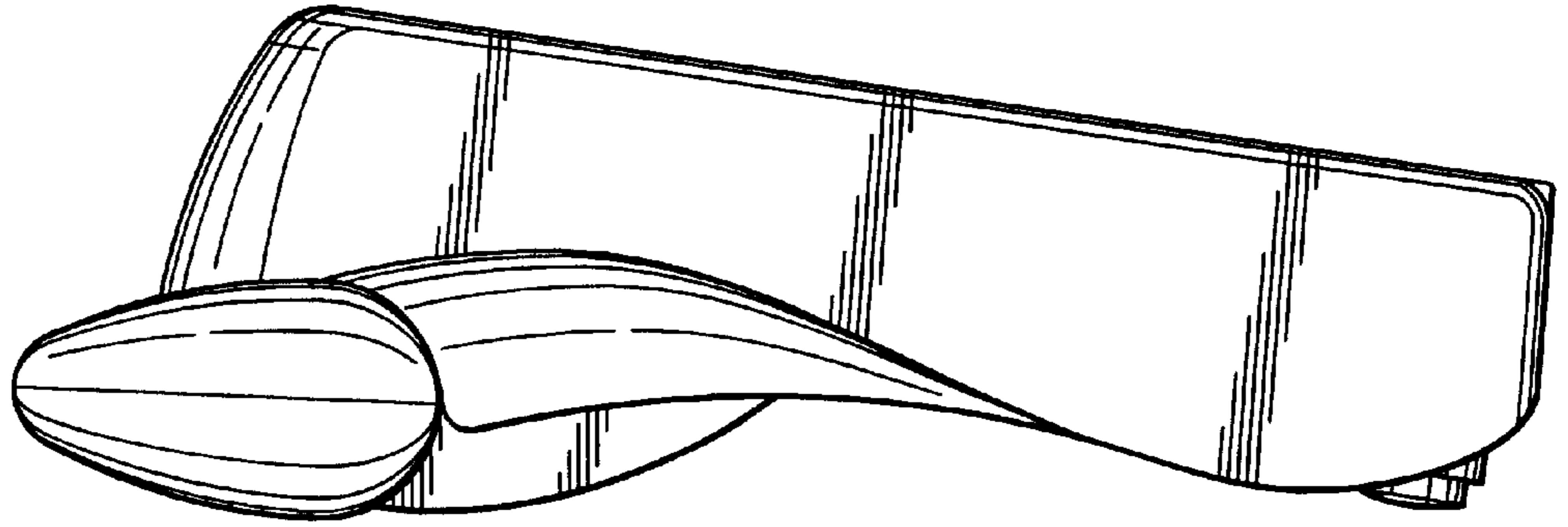


FIG. 5

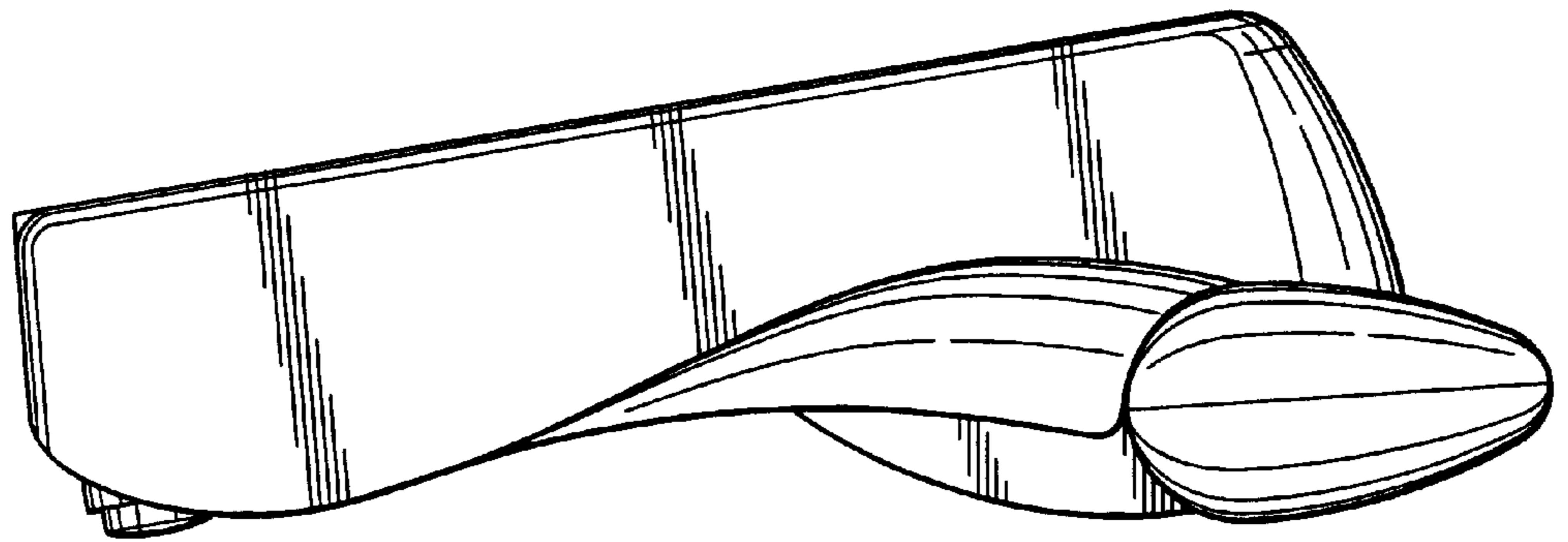


FIG. 6

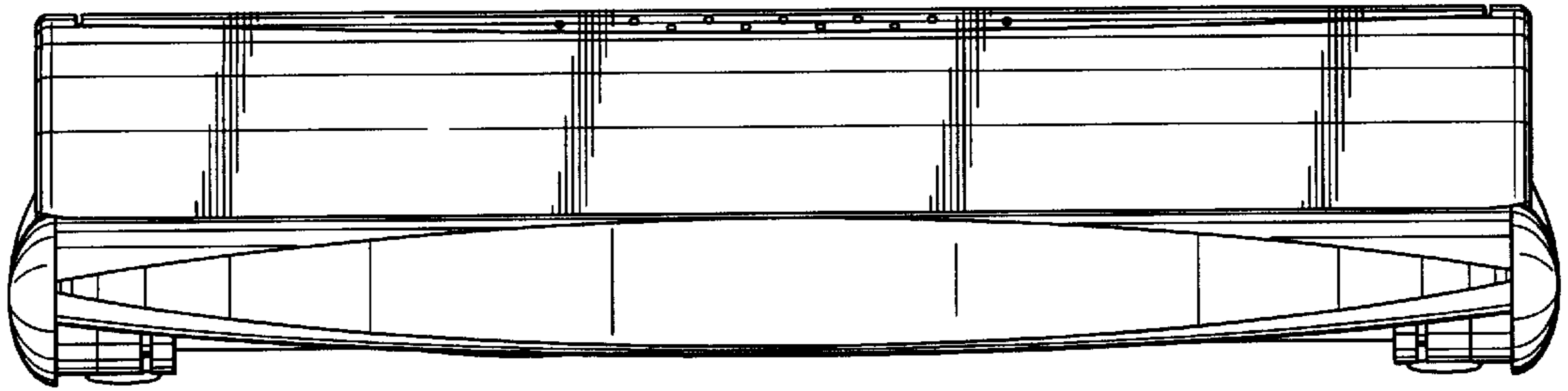


FIG. 7

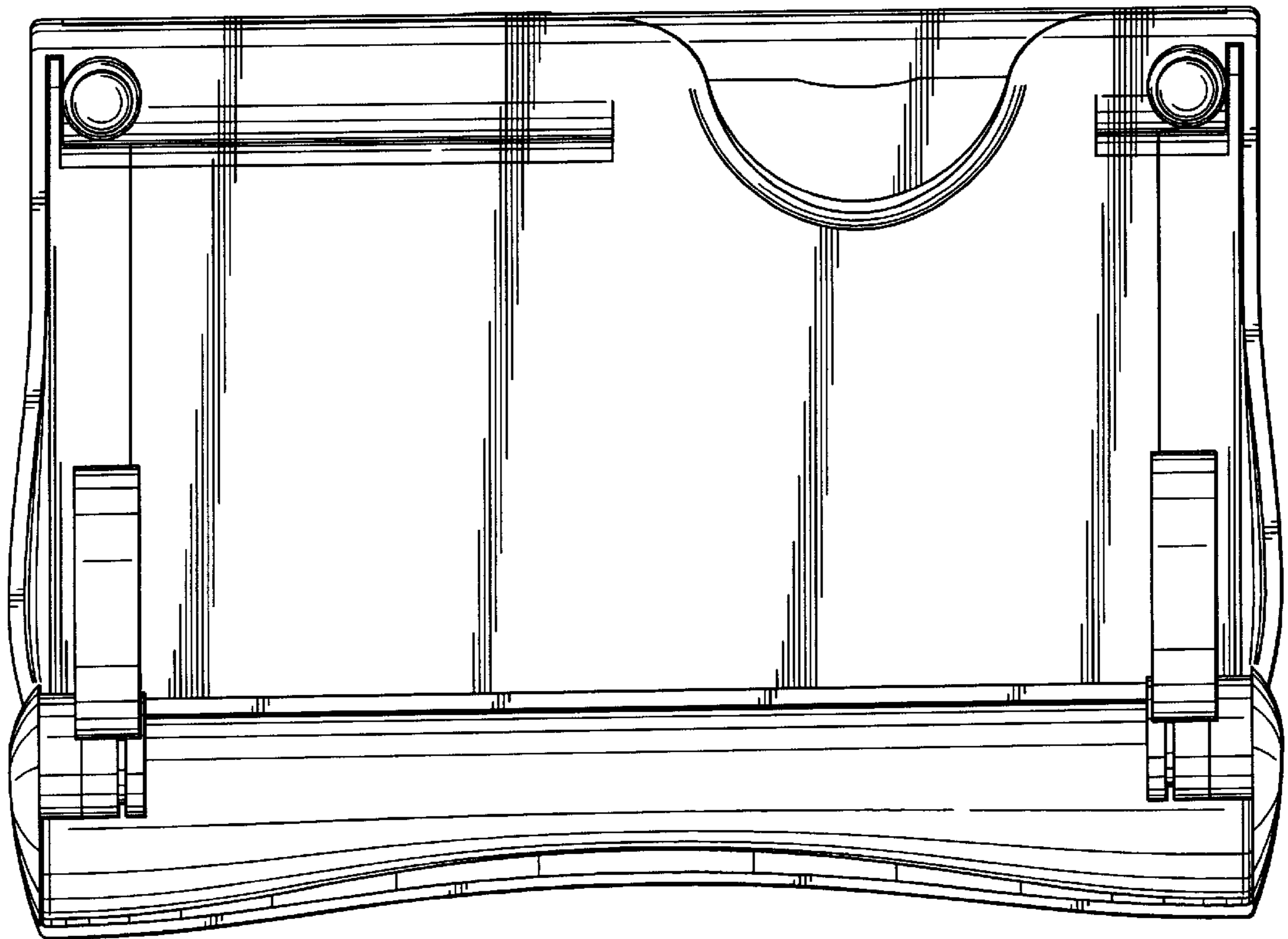


FIG. 8