



US00D436376S

(12) **United States Design Patent**
Regan et al.

(10) **Patent No.:** **US D436,376 S**

(45) **Date of Patent:** **** Jan. 16, 2001**

(54) **ADHESIVE DISPENSER**

(75) Inventors: **Philip Malcom Regan**, Naas (IE);
Stephan Blom, Helmond (NL); **Luca Cella**, Milan; **Luigi Vanini**, Albizzate, both of (IT)

(73) Assignee: **Henkel Kommanditgesellschaft auf Aktien (KGaA)**, Duesseldorf (DE)

(**) Term: **14 Years**

(21) Appl. No.: **29/098,295**

(22) Filed: **Dec. 23, 1998**

(30) **Foreign Application Priority Data**

Jun. 30, 1998 (GB) 2075661

(51) **LOC (7) Cl.** **19-02**

(52) **U.S. Cl.** **D19/66; D9/533; D9/453; D19/57**

(58) **Field of Search** D9/338, 453, 533; D19/35, 36, 65, 66, 48, 49, 51, 57; 401/260-262, 266, 202; 222/210, 212, 519

(56) **References Cited**

U.S. PATENT DOCUMENTS

D. 123,502 * 11/1940 Jung D9/453

D. 199,606 * 11/1964 Waterman D9/338 X
D. 225,154 * 11/1972 Singer D9/533
D. 248,865 * 8/1978 Sussman et al. D19/43
D. 338,159 * 8/1993 Densky et al. D9/574
2,865,384 * 12/1958 Noon 401/129 X

* cited by examiner

Primary Examiner—Martie K. Holtje

(74) *Attorney, Agent, or Firm*—Ernest G. Szoke; Wayne C. Jaeschke; Kenneth Watov

(57) **CLAIM**

The ornamental design for an adhesive dispenser, as shown and described.

DESCRIPTION

The present invention is related to co-pending design application Ser. No. 29,098,311 which was filed herewith.

FIG. 1 is a perspective view of the adhesive dispenser showing our new design;

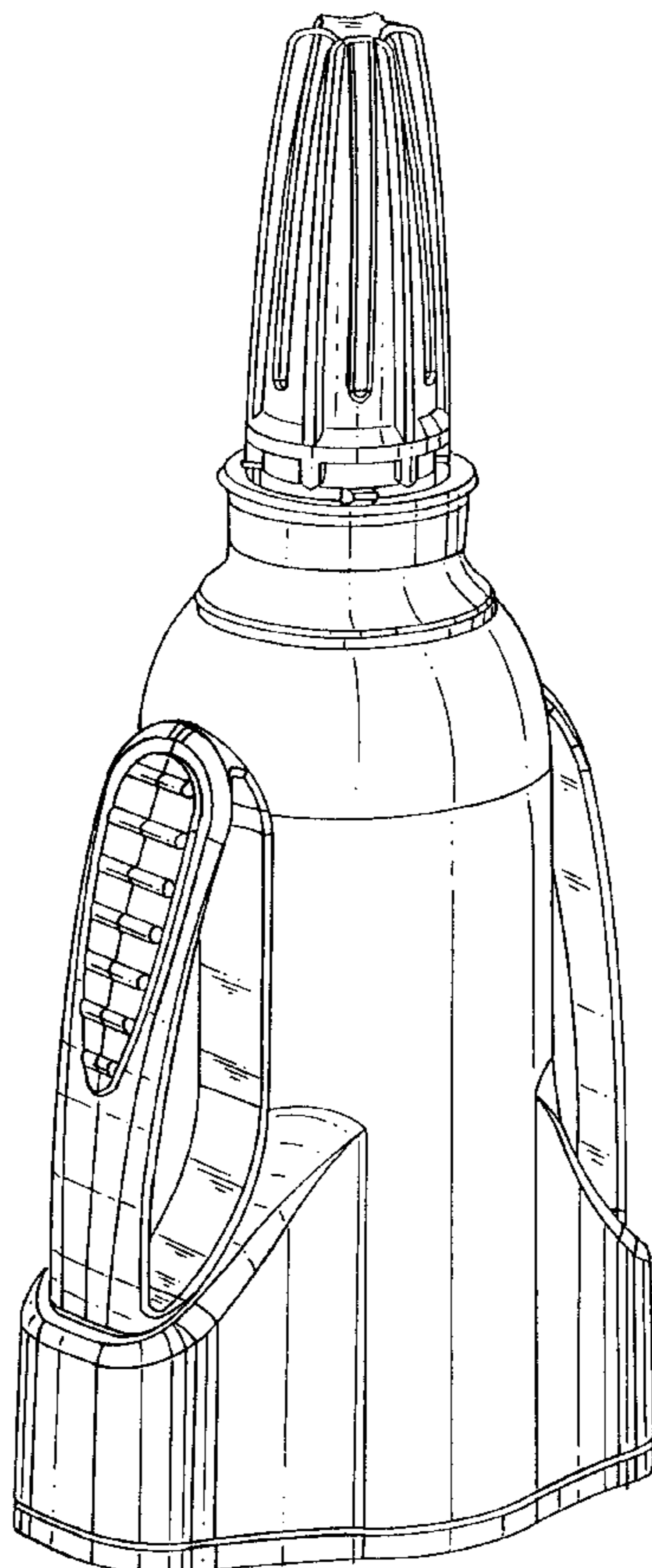
FIG. 2 is a front elevational view thereof, whereby the rear elevational view thereof is identical thereto;

FIG. 3 is a left side elevational view thereof, whereby the right side elevational view is identical thereto;

FIG. 4 is an enlarged top plan view thereof; and,

FIG. 5 is a bottom plan view thereof.

1 Claim, 5 Drawing Sheets



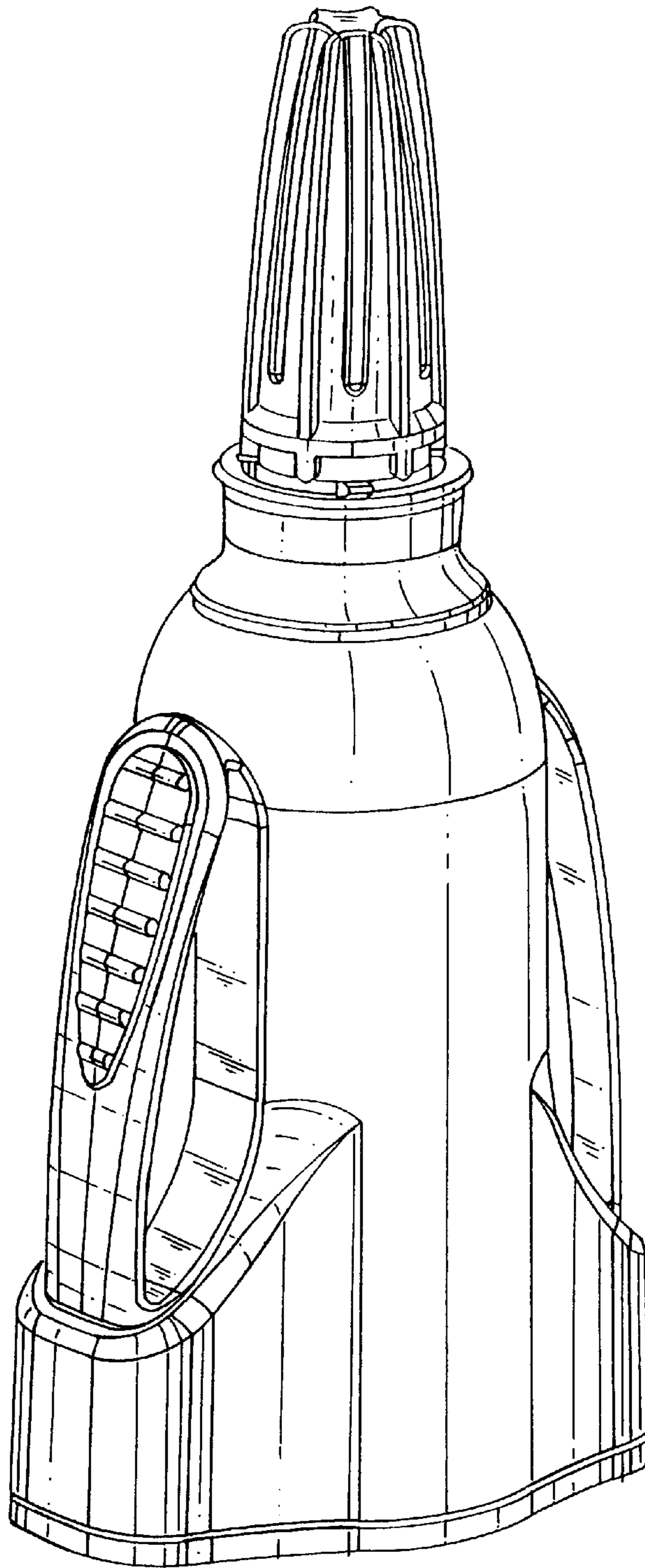


FIG. 1

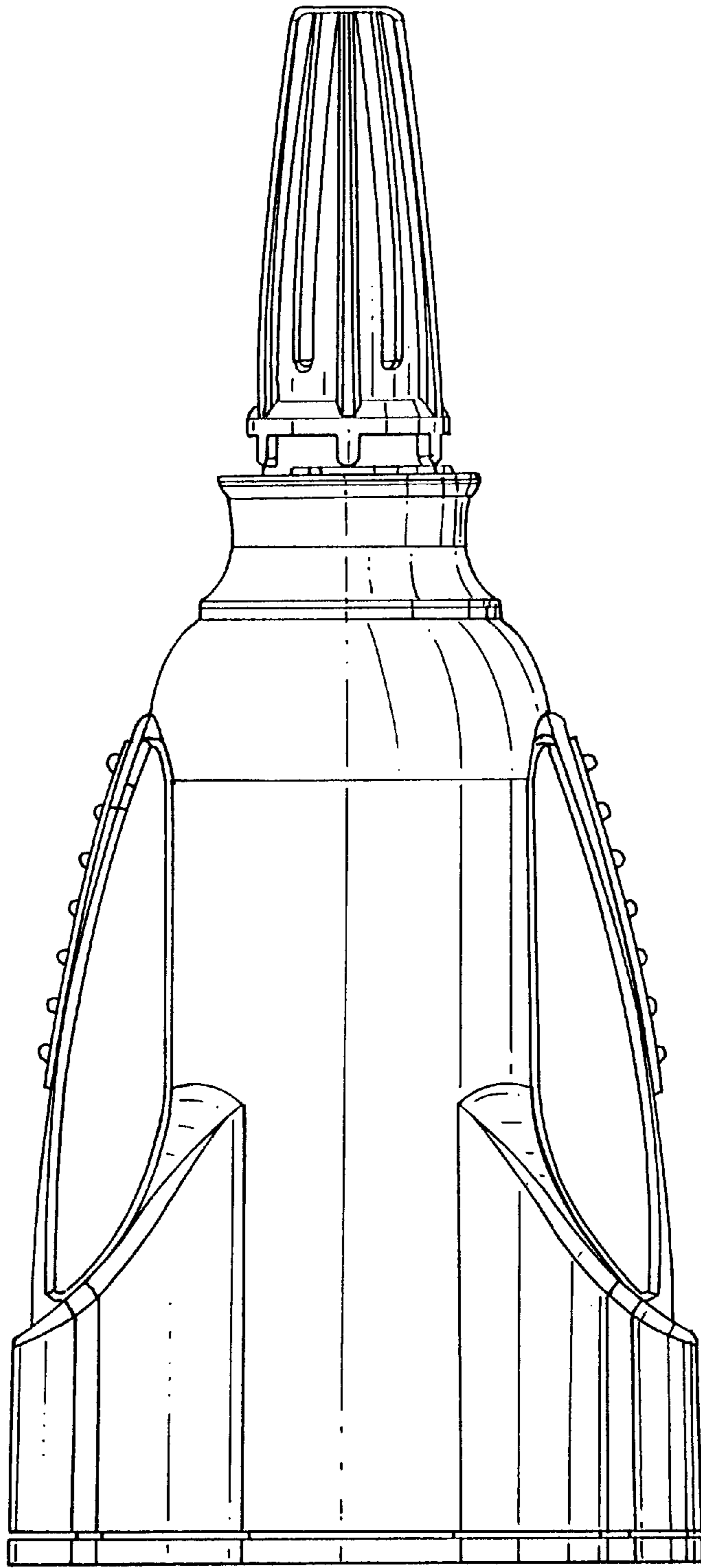


FIG. 2

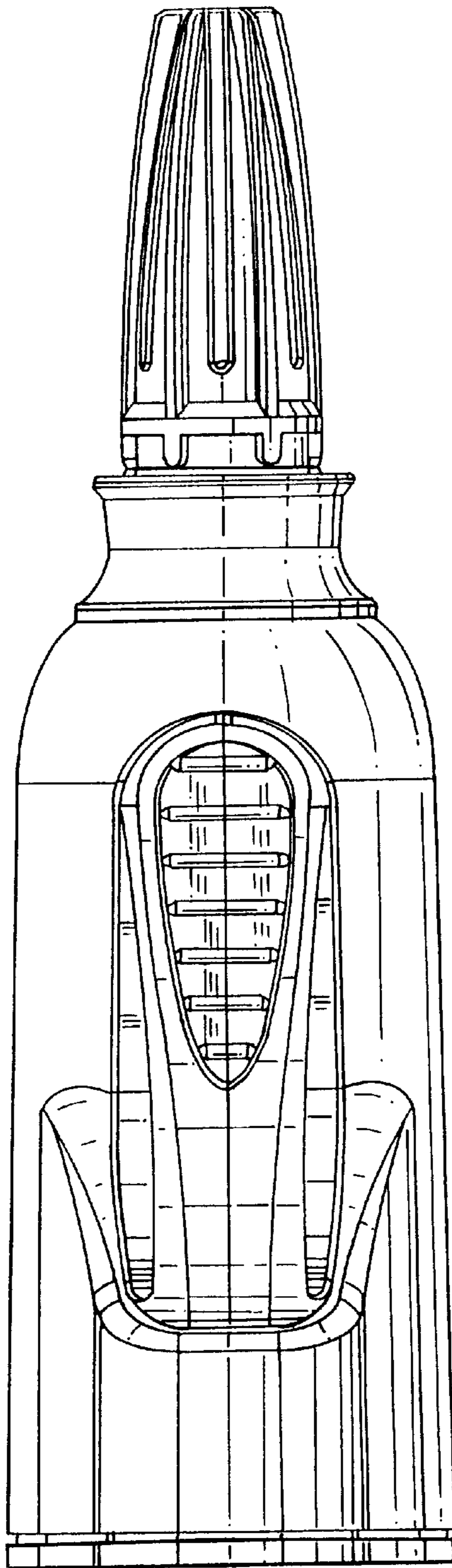


FIG. 3

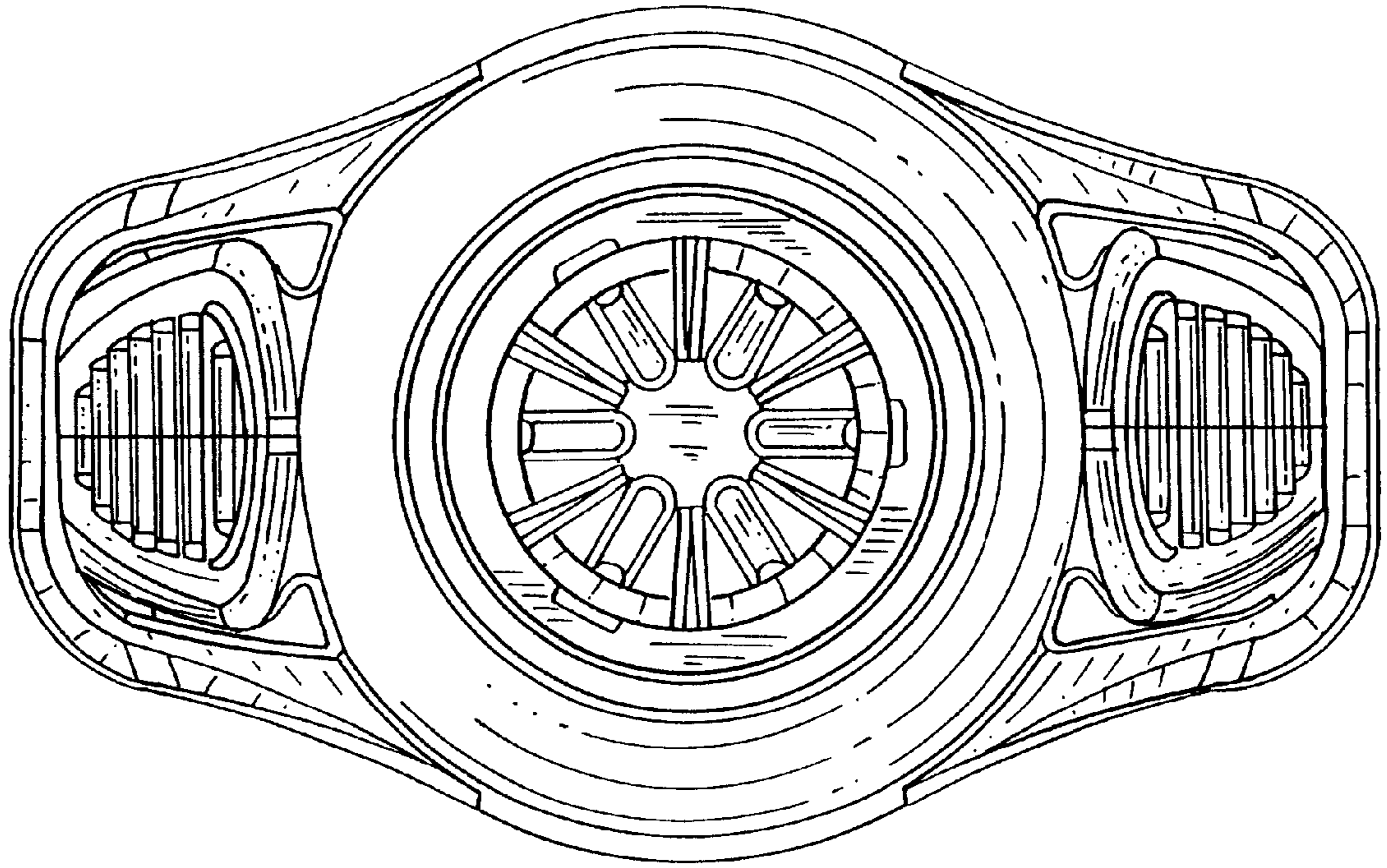


FIG. 4

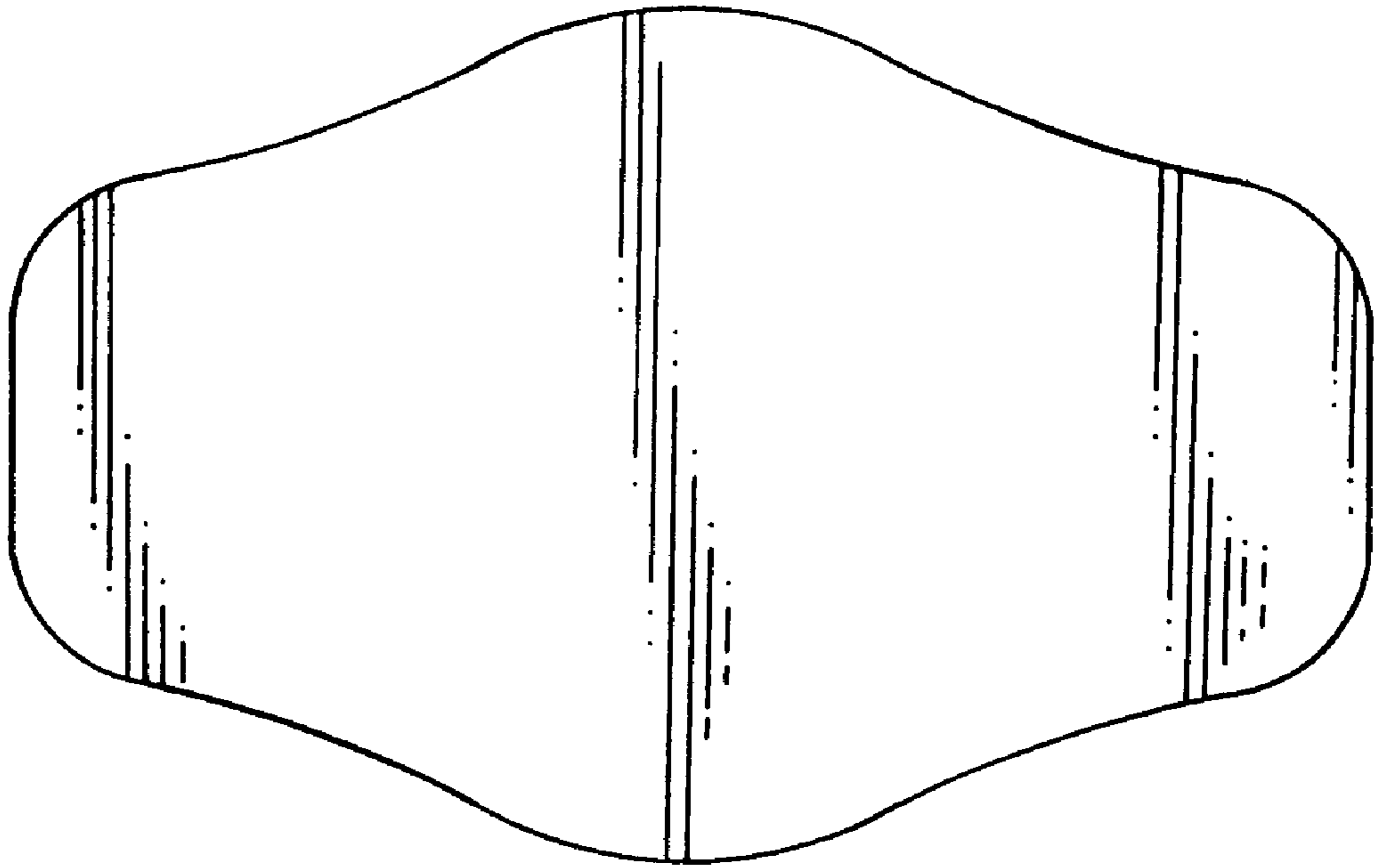


FIG. 5