



US00D436373S

(12) **United States Design Patent**
Mershon

(10) **Patent No.:** **US D436,373 S**

(45) **Date of Patent:** **** Jan. 16, 2001**

- (54) **BOOKMARK WITH TIMEPIECE**
- (76) Inventor: **Randolph J. Mershon**, 300 Winston Dr., Cliffside Park, NJ (US) 07010
- (**) Term: **14 Years**
- (21) Appl. No.: **29/125,677**
- (22) Filed: **Jun. 28, 2000**
- (51) **LOC (7) Cl.** **19-99**
- (52) **U.S. Cl.** **D19/34; D19/65; D19/86; D10/2; D10/31**
- (58) **Field of Search** **D10/2, 31, 126; D8/394, 395; D19/34, 36, 65, 86, 90, 99, 100; 281/15.1, 42, 45, 51; 116/234-236, 237, 238, 239, 240; 24/455, 547, 563, 67 R-67.11**

D. 365,363	*	12/1995	Terino	D19/34
D. 387,681	*	12/1997	Finkay	D10/31
D. 429,498	*	8/2000	Mershon	D19/34
866,141	*	9/1907	Kay, Jr.	24/547
2,335,903	*	12/1943	Beckett	24/563

* cited by examiner

Primary Examiner—Martie K. Holtje
(74) *Attorney, Agent, or Firm*—Testa, Hurwitz & Thibault, LLP

(57) **CLAIM**

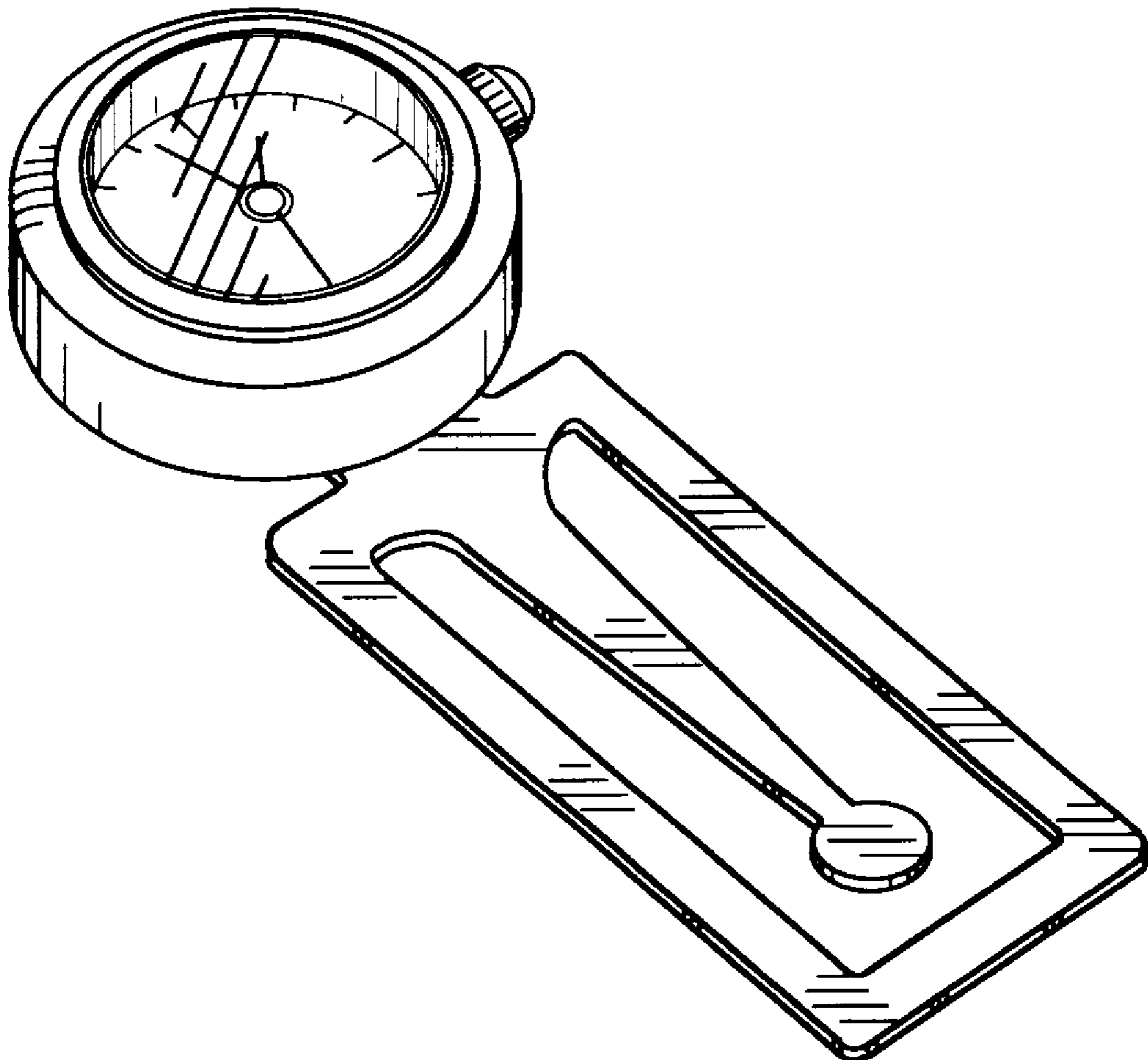
The ornamental design for a bookmark with timepiece, as shown.

DESCRIPTION

FIG. 1 is an isometric view from the front of a bookmark with timepiece incorporating the design;
FIG. 2 is a right-side view thereof;
FIG. 3 is a left-side view thereof;
FIG. 4 is a front view thereof;
FIG. 5 is a back view thereof;
FIG. 6 is a top plan view thereof; and,
FIG. 7 is a bottom plan view thereof.

- (56) **References Cited**
- U.S. PATENT DOCUMENTS**
- D. 235,174 * 5/1975 Gardner D19/34
- D. 292,677 * 11/1987 Jordi D10/31
- D. 309,473 * 7/1990 Toy D19/34
- D. 312,415 * 11/1990 Muller et al. D10/31
- D. 313,759 * 1/1991 Nomizu D10/31

1 Claim, 4 Drawing Sheets



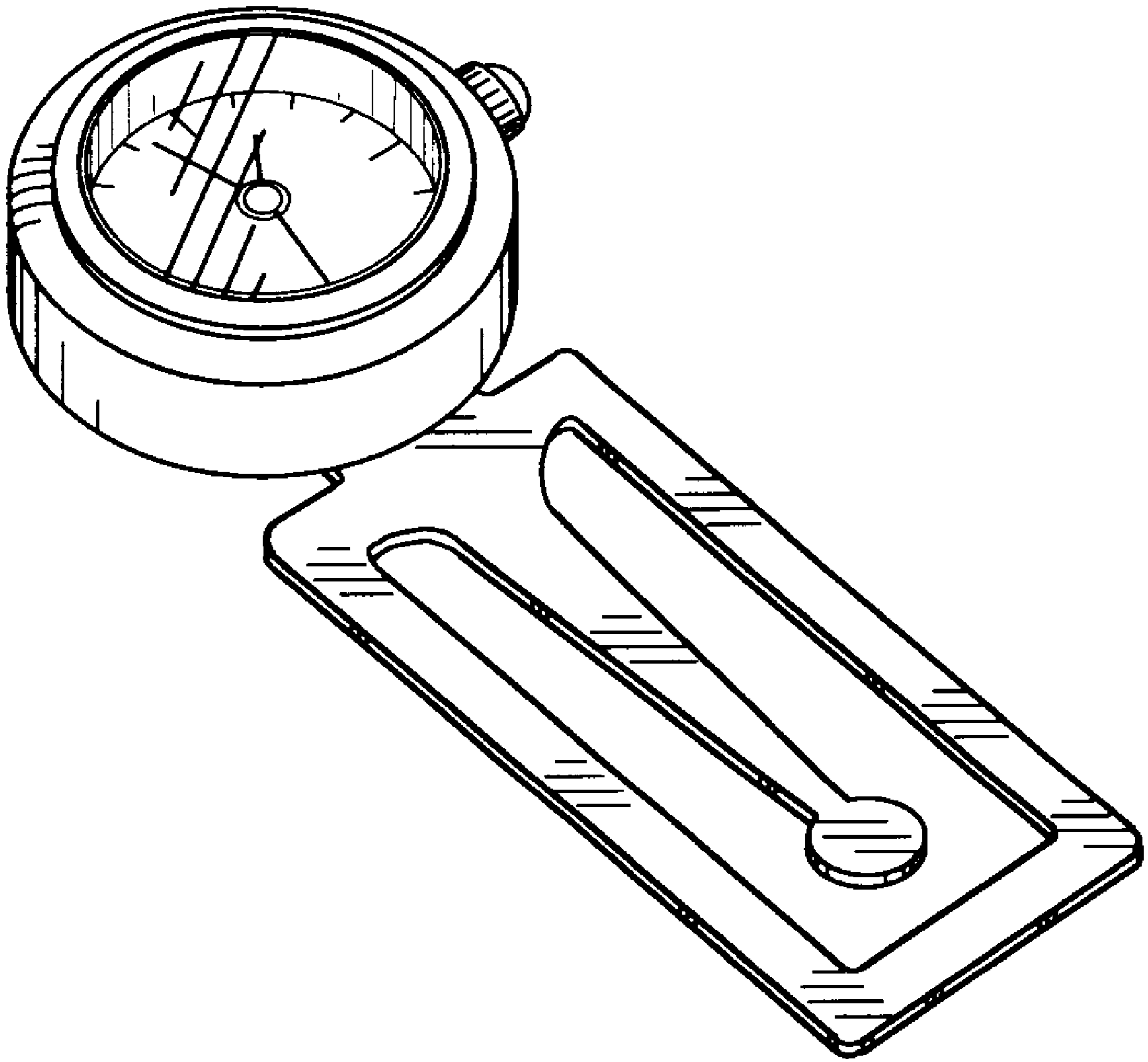


FIG. 1



FIG. 2

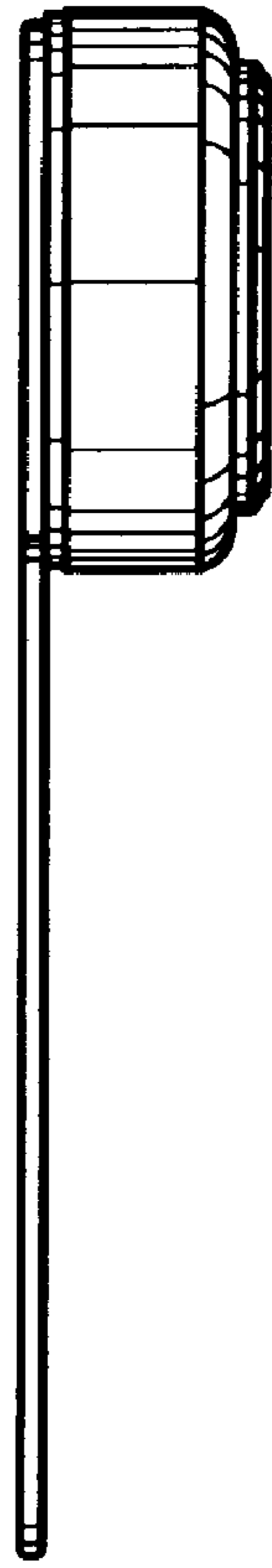


FIG. 3

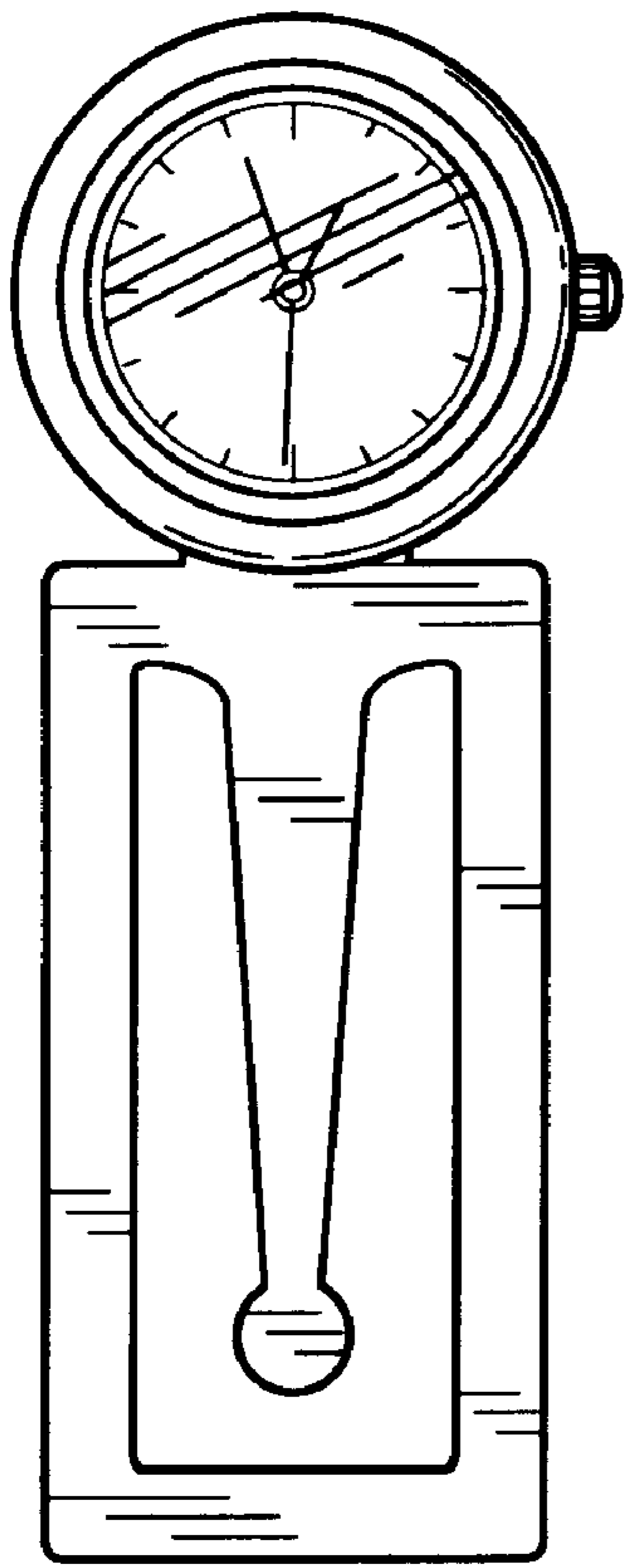


FIG. 4

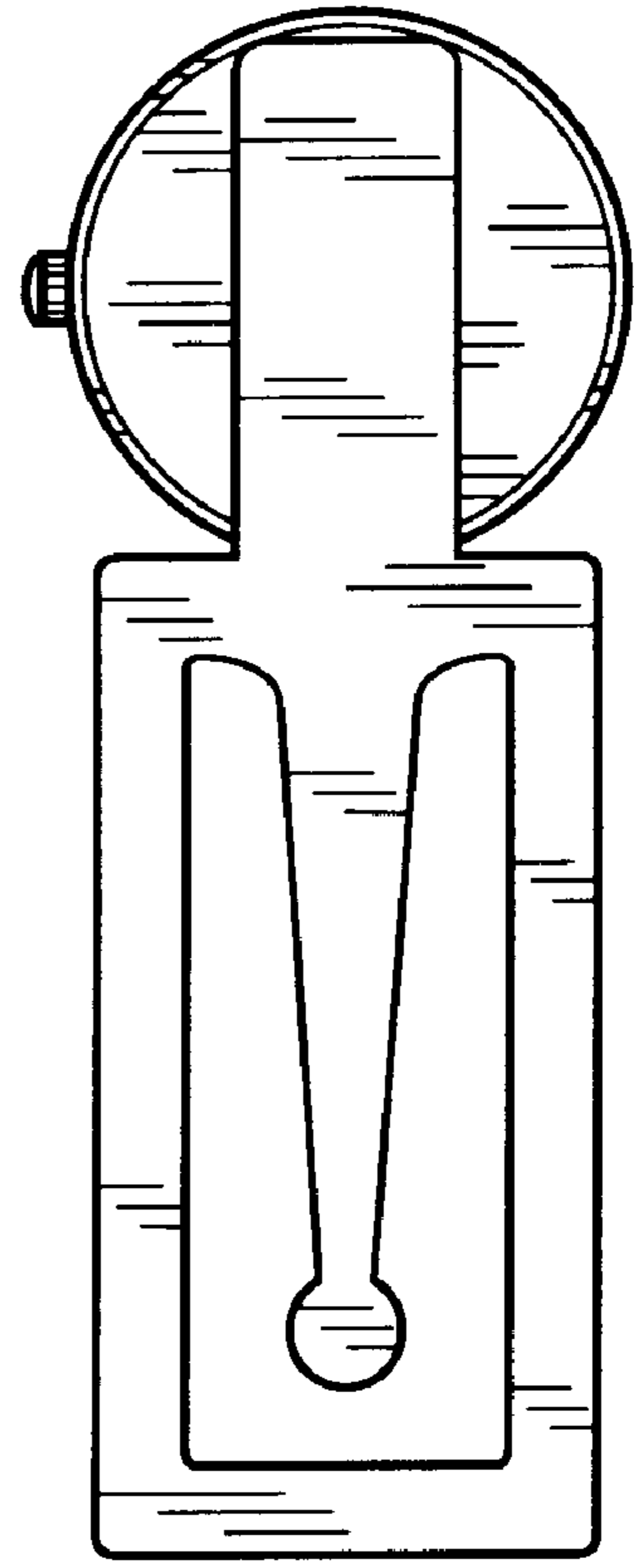


FIG. 5

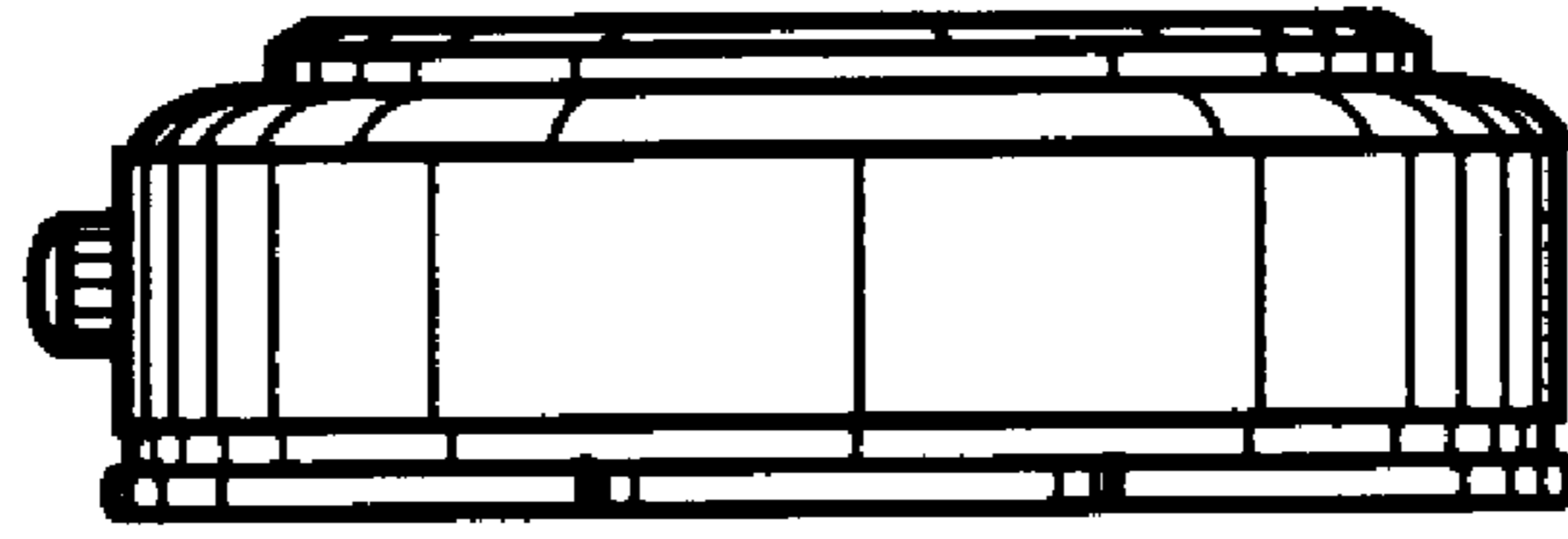


FIG. 6

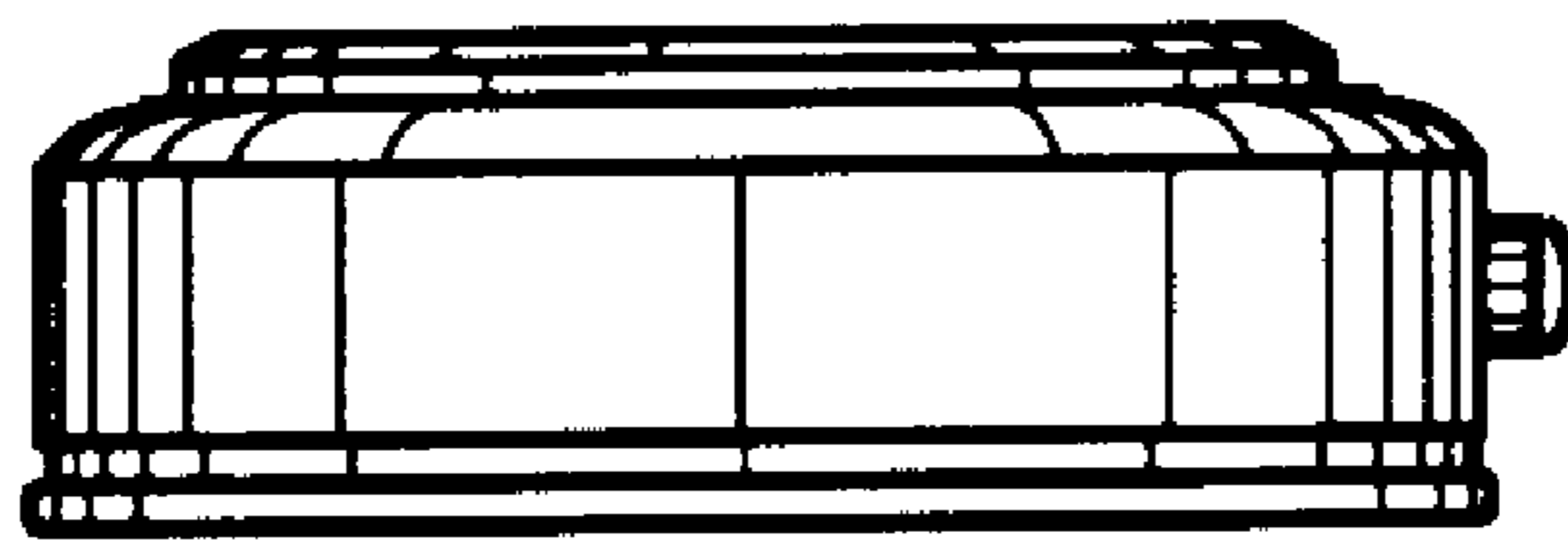


FIG. 7