



US00D436368S

(12) **United States Design Patent**
Hoffman, Jr. et al.

(10) **Patent No.:** **US D436,368 S**
(45) **Date of Patent:** **** Jan. 16, 2001**

(54) **PLATEN FOR A PRINTING MACHINE**

(75) Inventors: **Richard C. Hoffman, Jr.**, Lake Forest;
Alex Iaccino, Mount Prospect; **Dariusz Tkacz**, Naperville; **Boguslaw Biel**, Carol Stream; **Boguslaw Magda**, Wheaton, all of IL (US)

(73) Assignee: **M&R Printing Equipment, Inc.**, Glen Ellyn, IL (US)

(**) Term: **14 Years**

(21) Appl. No.: **29/110,952**

(22) Filed: **Sep. 15, 1999**

Related U.S. Application Data

(63) Continuation of application No. 09/322,568, filed on May 28, 1999, now Pat. No. 6,105,494.

(51) **LOC (7) Cl.** **18-02**

(52) **U.S. Cl.** **D18/14**

(58) **Field of Search** 101/287, 114,
101/163, 93, 126, 129, 41; D18/56, 14,
18; D8/44

(56) **References Cited**

U.S. PATENT DOCUMENTS

D. 252,814	*	9/1979	Rands	D18/14
D. 424,389	*	5/2000	Lindsey et al.	D8/44
3,958,508		5/1976	Sakurai	.	
4,612,856	*	9/1986	Jennings	101/129
4,679,501	*	7/1987	Hanosh	101/114
4,819,559	*	4/1989	Szarka	101/126
4,942,683	*	7/1990	Lawson	101/126
4,981,074		1/1991	Machita et al.	.	

5,090,313	*	2/1992	Chapman	101/129
5,094,160	*	3/1992	Jennings	101/129
5,107,758	*	4/1992	Withers	101/126
5,127,321	*	7/1992	Proffer	101/114
5,165,337	*	11/1992	Schlundt	101/114
5,199,353	*	4/1993	Szyszko	101/126
5,275,098	*	1/1994	Larson	101/114
5,313,882		5/1994	Karlynn et al.	.	
5,456,172	*	10/1995	Herrmann	101/129
5,694,845	*	12/1997	Newman	101/126
5,813,328	*	9/1998	Hamu	101/129
5,832,822	*	11/1998	Hamu	101/126
5,832,835	*	11/1998	Scheuhing	101/41
5,943,953	*	8/1999	Oleson	101/114

* cited by examiner

Primary Examiner—Cathy Anne MacCormac

(74) *Attorney, Agent, or Firm*—Wallenstein & Wagner, Ltd.

(57) **CLAIM**

We claim the ornamental design for a platen for a printing machine, as shown and described.

DESCRIPTION

FIG. 1 is a perspective top view of a platen for a printing machine showing an embodiment of our new design having four recessed areas along front and rear edges;

FIG. 2 is a front view thereof the rear view being identical; FIG. 3 is a left side view thereof the right side view being identical;

FIG. 4 is a top view thereof the bottom view being identical; FIG. 5 is a perspective top view of second embodiment of FIG. 1 having four recessed areas along left and right side edges; and,

FIG. 6 is a perspective top view of a third embodiment of FIG. 1 having two recessed areas along a front edge.

1 Claim, 2 Drawing Sheets

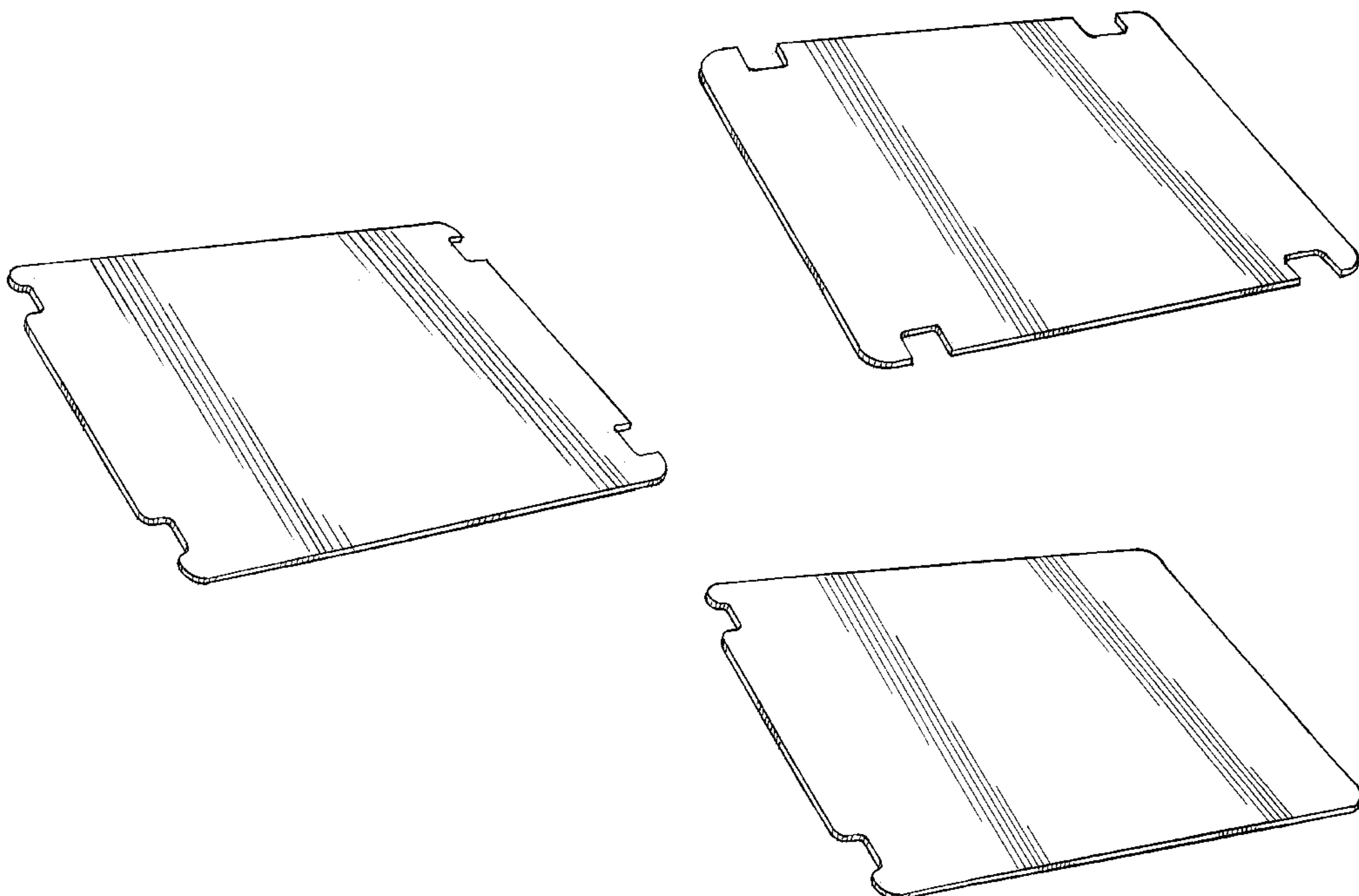


FIG.1

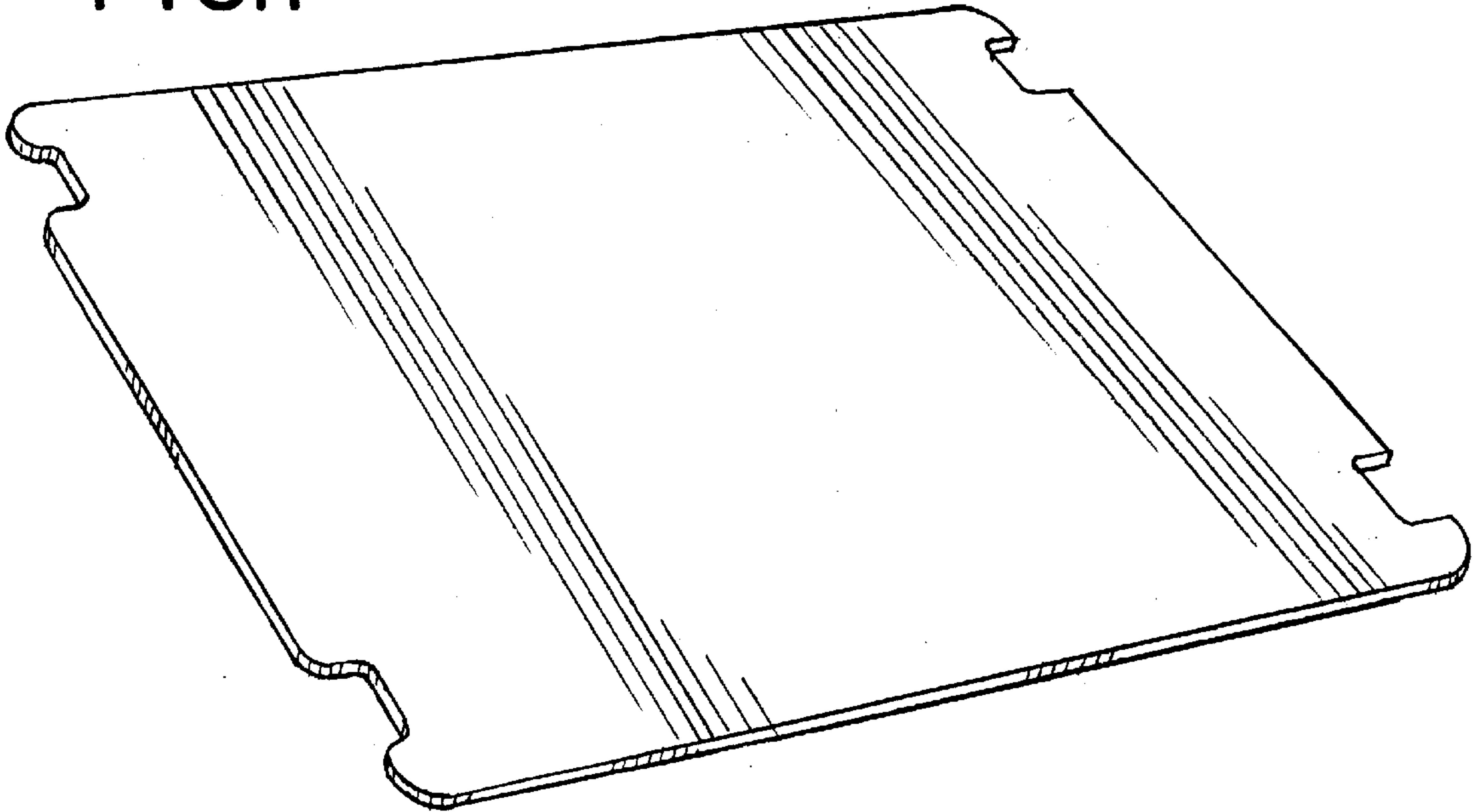


FIG.2

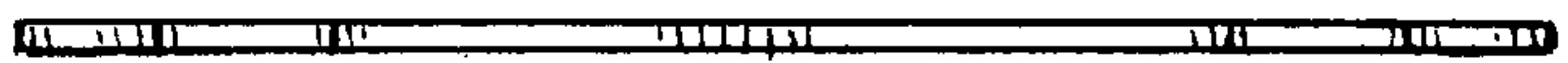


FIG.3

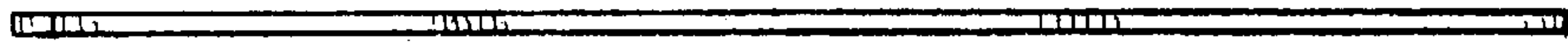


FIG.4

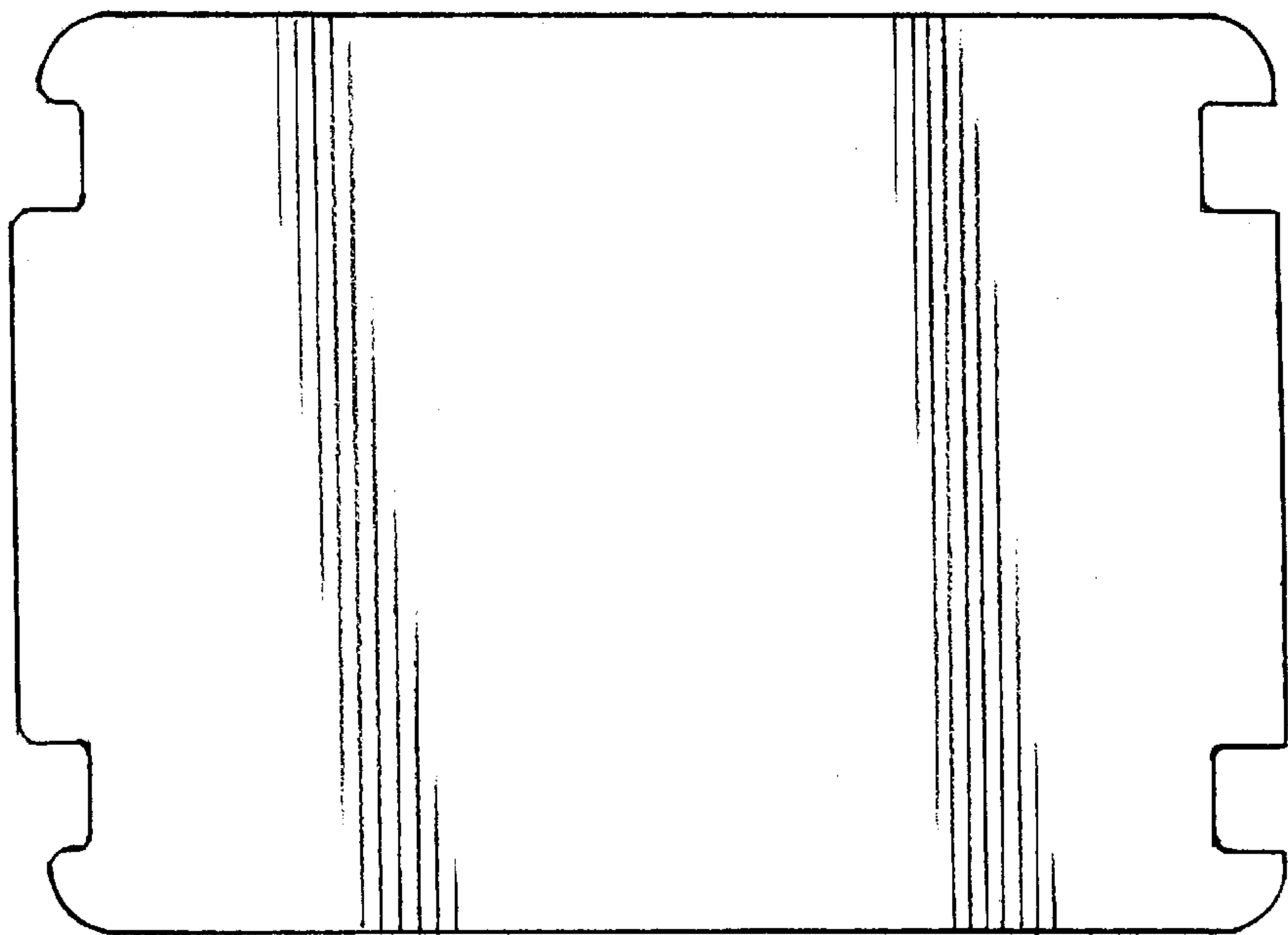


FIG.5

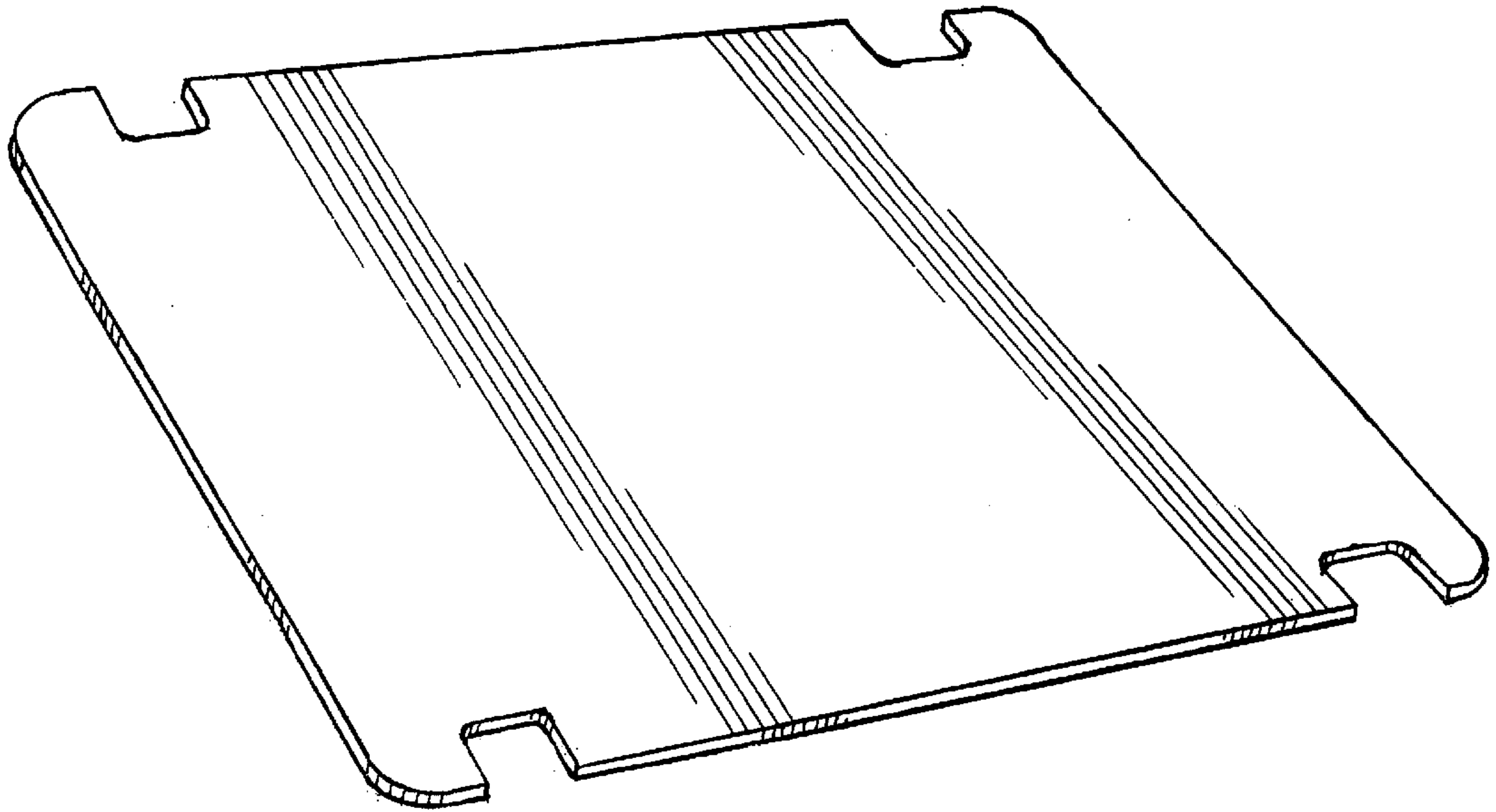


FIG. 6

