



US00D436365S

(12) **United States Design Patent**
Harata

(10) **Patent No.:** **US D436,365 S**

(45) **Date of Patent:** **** Jan. 16, 2001**

(54) **COMBINED VIDEO TAPE RECORDER AND CAMERA**

D. 416,928 * 11/1999 Sumita D16/202
5,499,052 * 3/1996 Nakanishi et al. 348/373

(75) Inventor: **Tomohiro Harata**, Tokyo (JP)

* cited by examiner

(73) Assignee: **Sony Corporation** (JP)

Primary Examiner—Adir Aronovich

(**) Term: **14 Years**

(74) *Attorney, Agent, or Firm*—Rader, Fishman & Grauer

(21) Appl. No.: **29/107,273**

(57) **CLAIM**

(22) Filed: **Jun. 29, 1999**

The ornamental design for a combined video tape recorder and camera, as shown and described.

(30) **Foreign Application Priority Data**

DESCRIPTION

Dec. 29, 1998 (JP) 10-39243

(51) **LOC (7) Cl.** **16-01**

(52) **U.S. Cl.** **D16/202**

(58) **Field of Search** D16/200-208;
348/373-376; 352/242, 243; 358/906; 396/535-541

(56) **References Cited**

FIG. 1 is a top, front perspective view of a combined video tape recorder and camera showing my new design;
FIG. 2 is a top, rear perspective view thereof, the viewing screen shown in an extending away position;
FIG. 3 is a top, rear perspective view thereof, the viewing screen shown in the first alternate position;
FIG. 4 is a top, rear perspective view thereof, the viewing screen shown in the second alternate position;
FIG. 5 is a top, rear perspective view thereof, the viewing screen shown in the third alternate position;
FIG. 6 is a top plan view thereof;
FIG. 7 is a bottom plan view thereof;
FIG. 8 is a left side elevational view thereof;
FIG. 9 is a right side elevational view thereof;
FIG. 10 is a front elevational view thereof; and,
FIG. 11 is a rear elevational view thereof.

U.S. PATENT DOCUMENTS

- D. 375,107 10/1996 Ishii D16/202
- D. 384,085 9/1997 Harata D16/202
- D. 385,568 10/1997 Harata D16/202
- D. 400,900 11/1998 Harata D16/202
- D. 401,256 11/1998 Harata D16/202
- D. 404,047 * 1/1999 Ishii D16/202
- D. 409,639 5/1999 Sumita D16/202
- D. 410,016 5/1999 Maeyama D16/202
- D. 415,778 * 10/1999 Harata D16/202

1 Claim, 8 Drawing Sheets

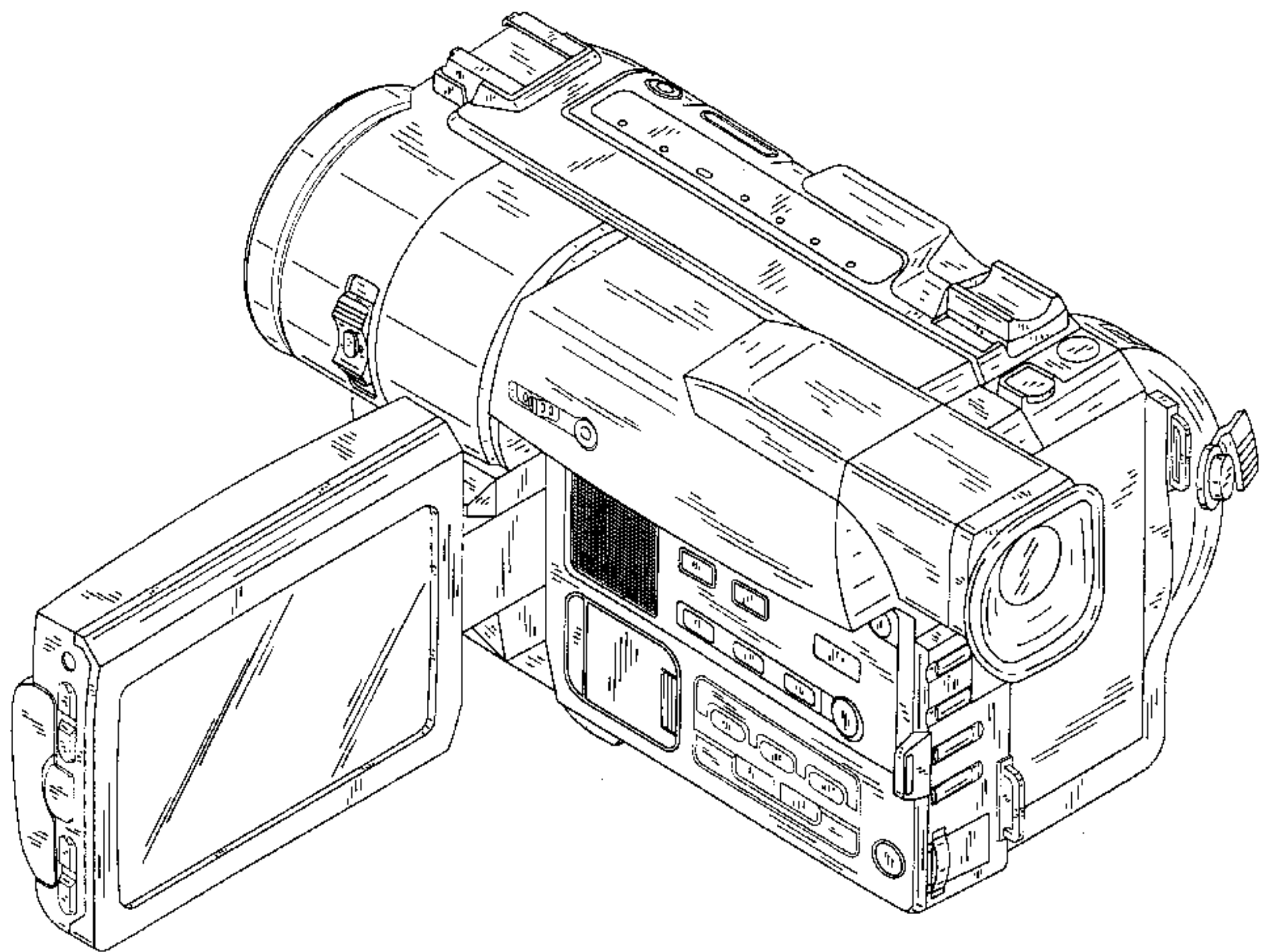
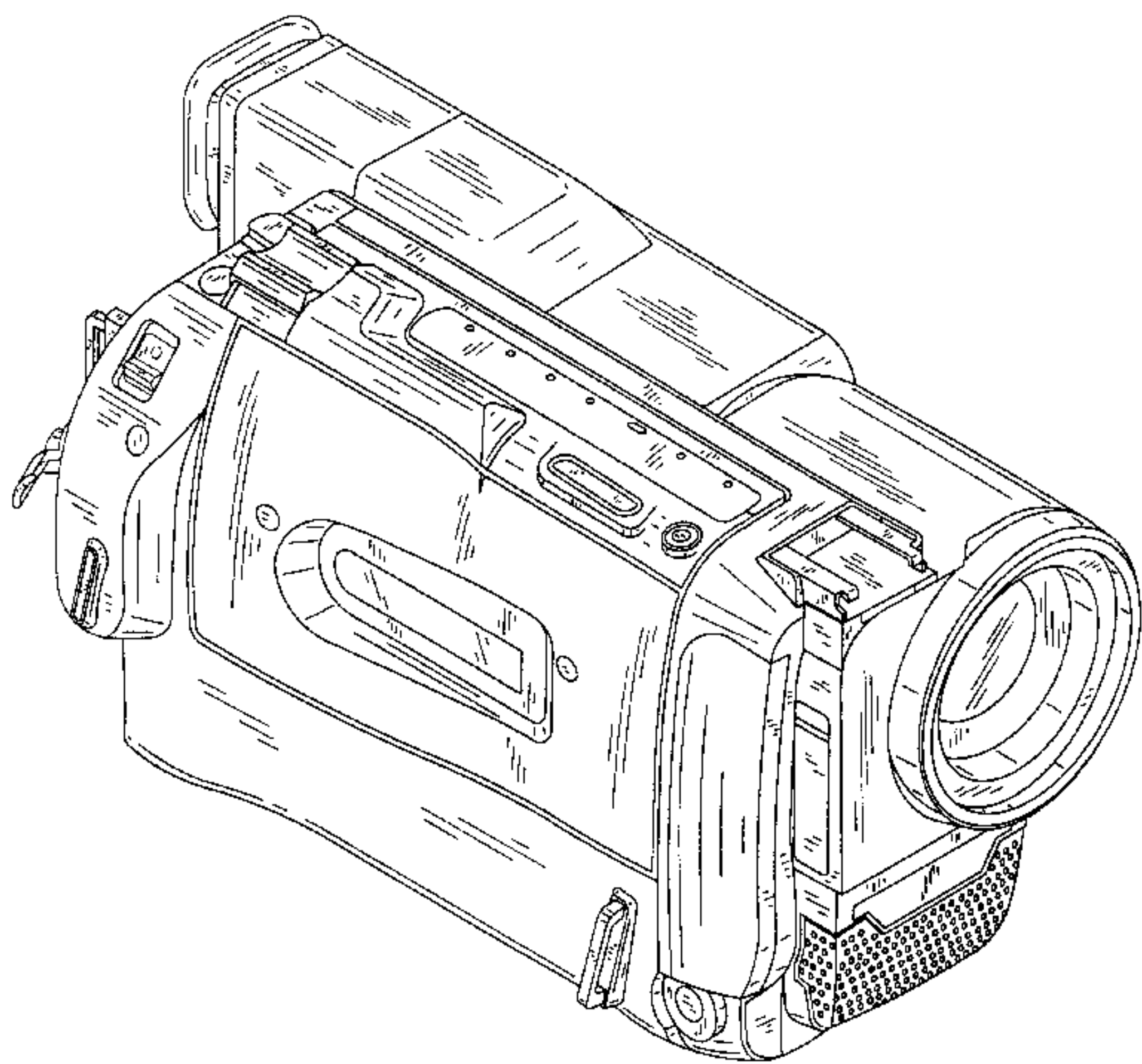


FIG. 1

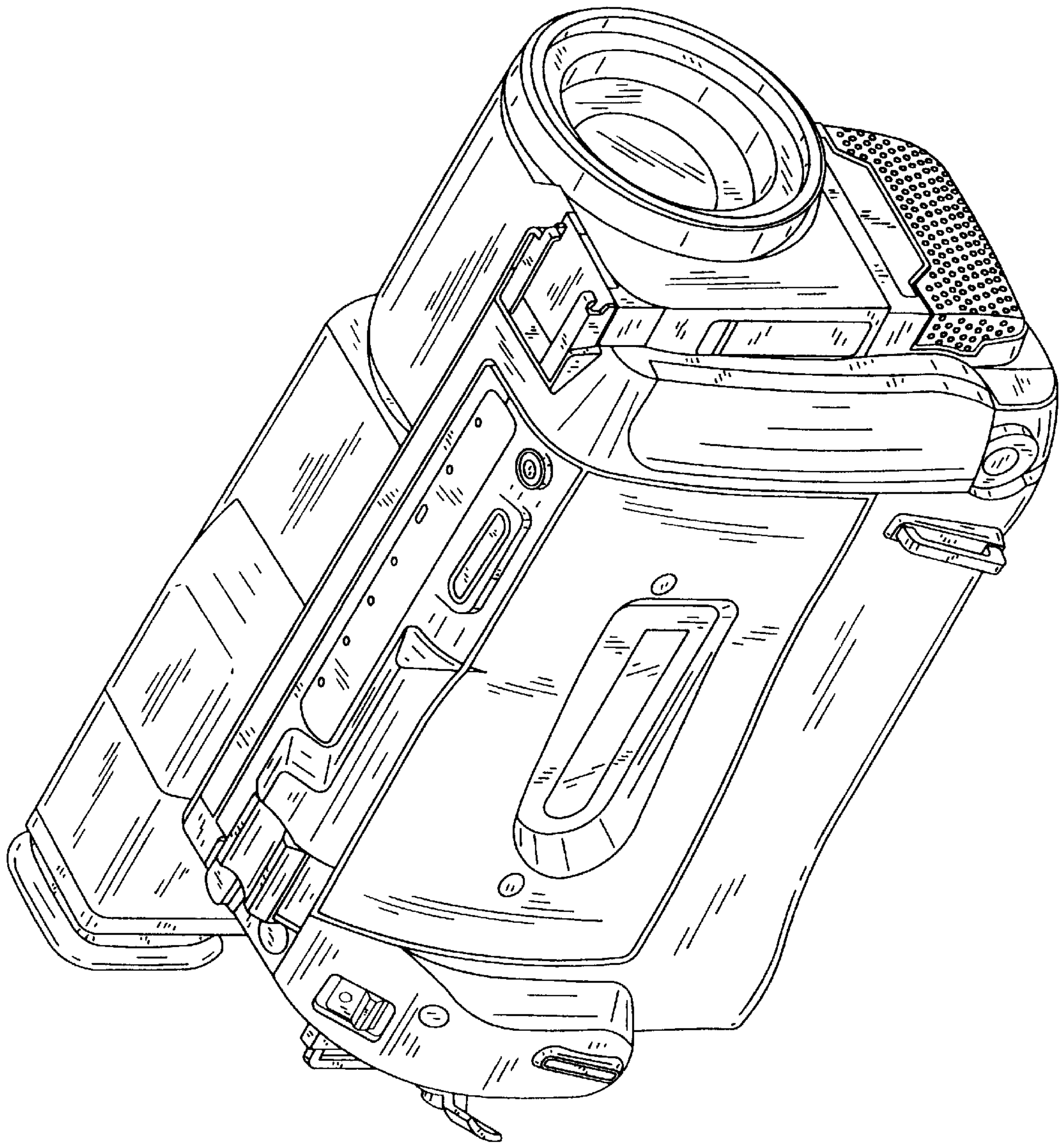


FIG. 2

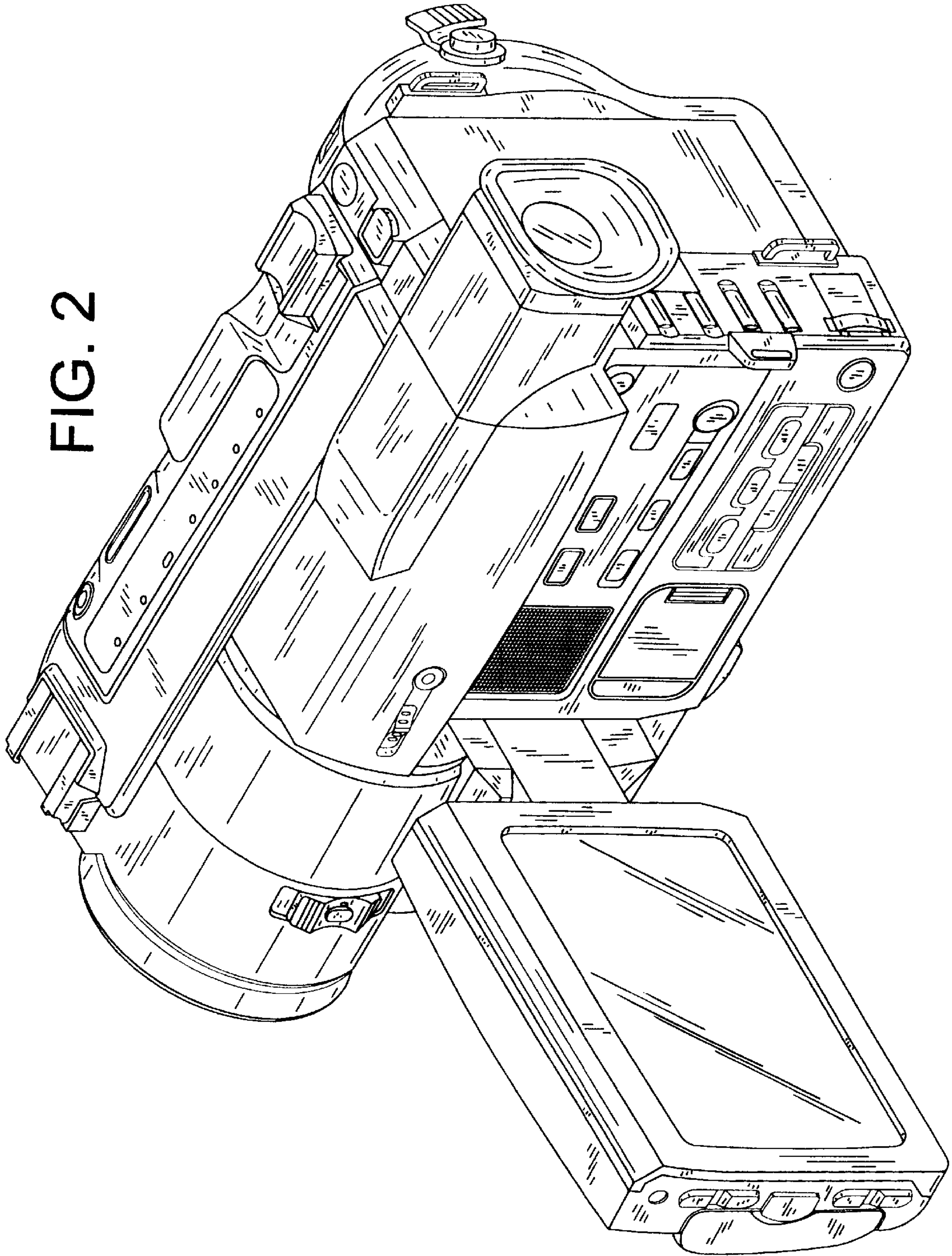
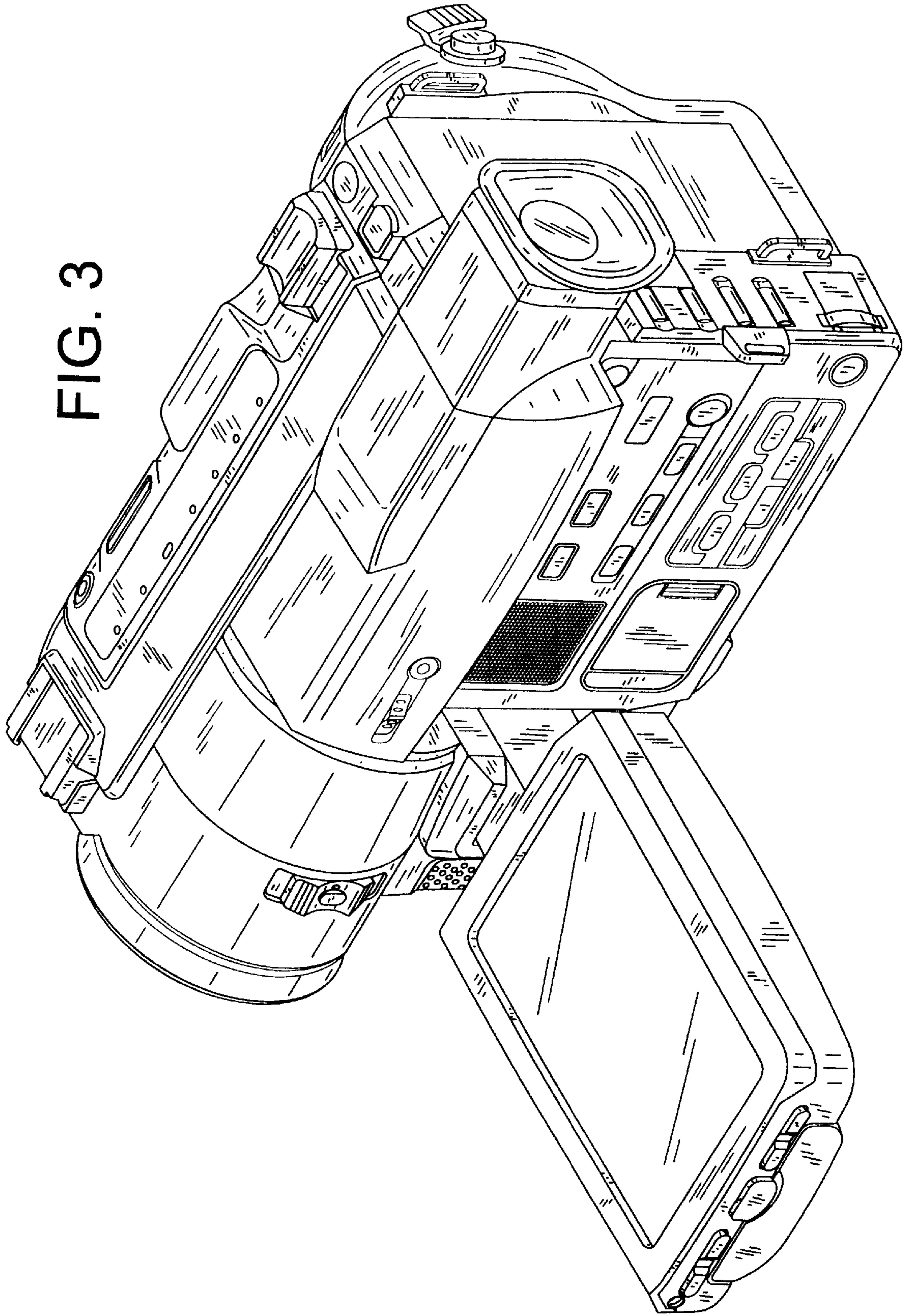


FIG. 3



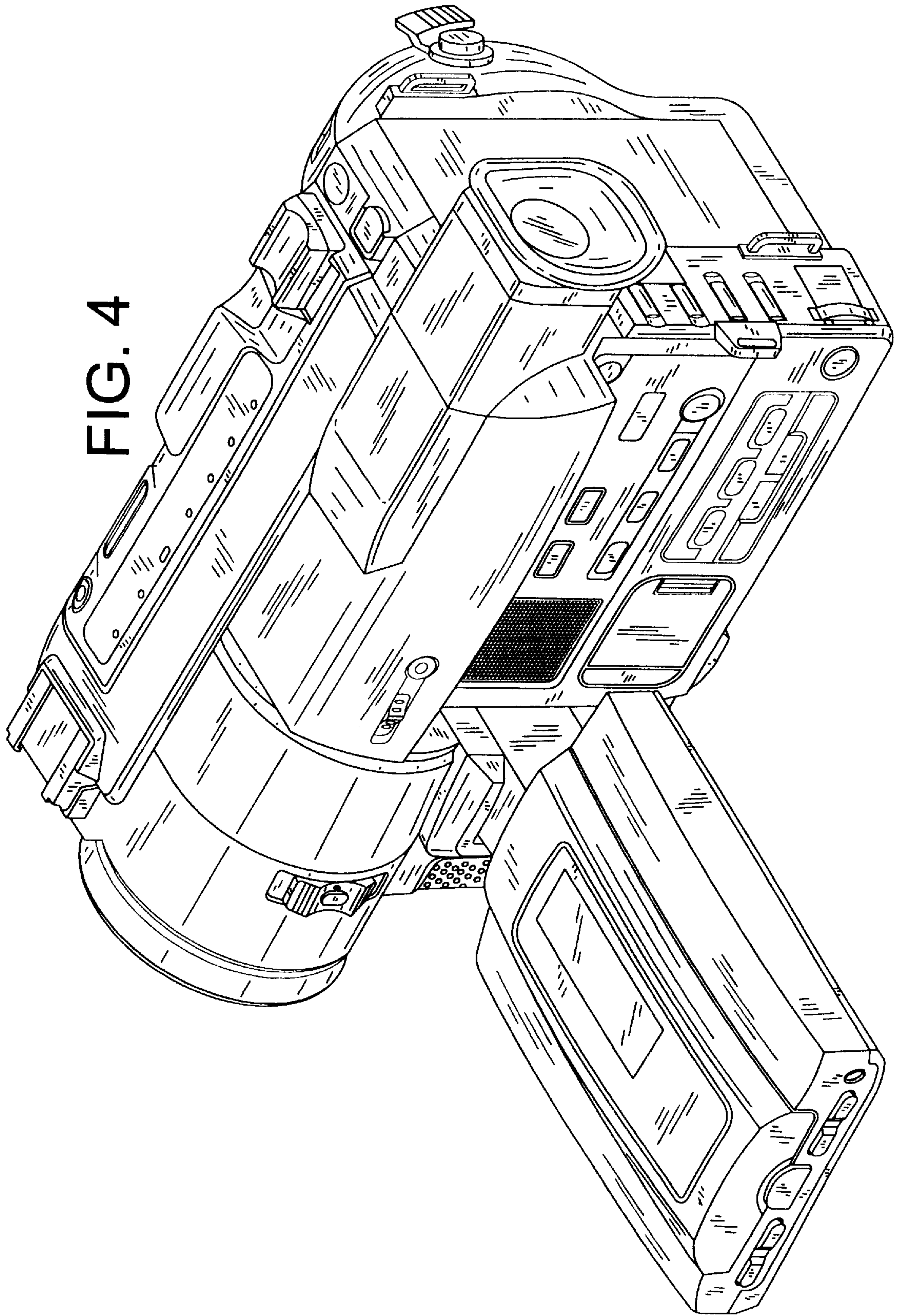


FIG. 4

FIG. 5

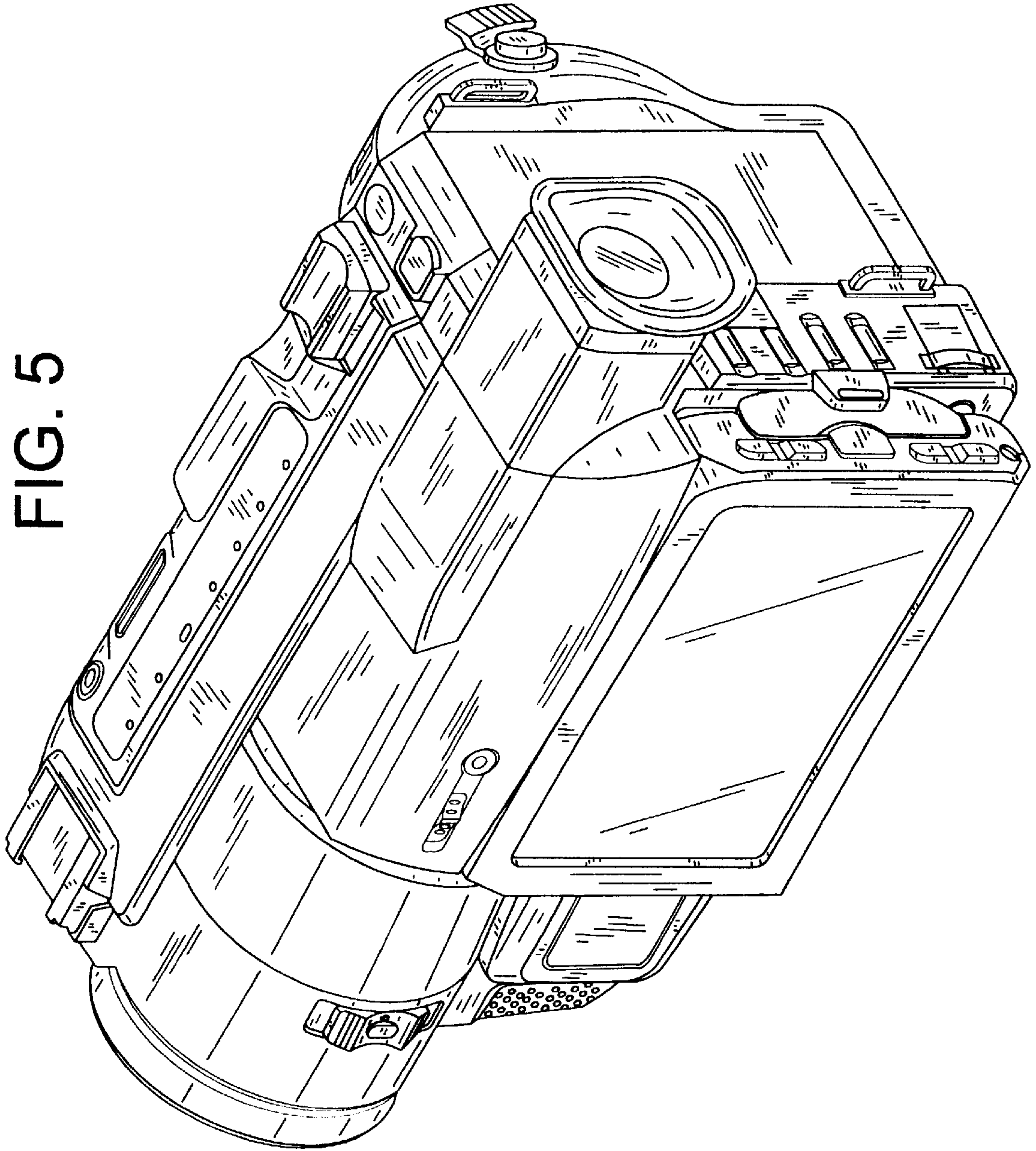


FIG. 7

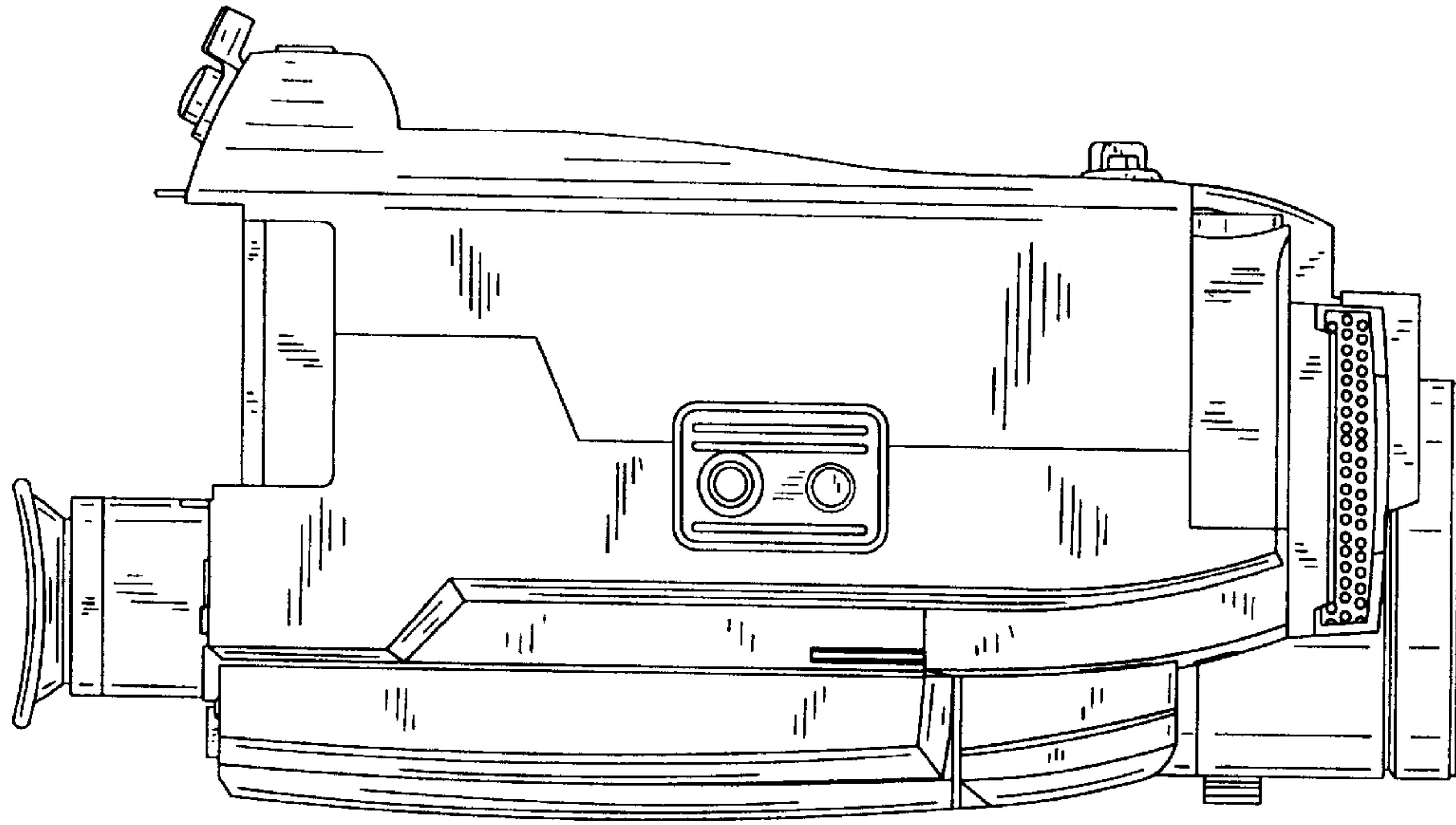


FIG. 6

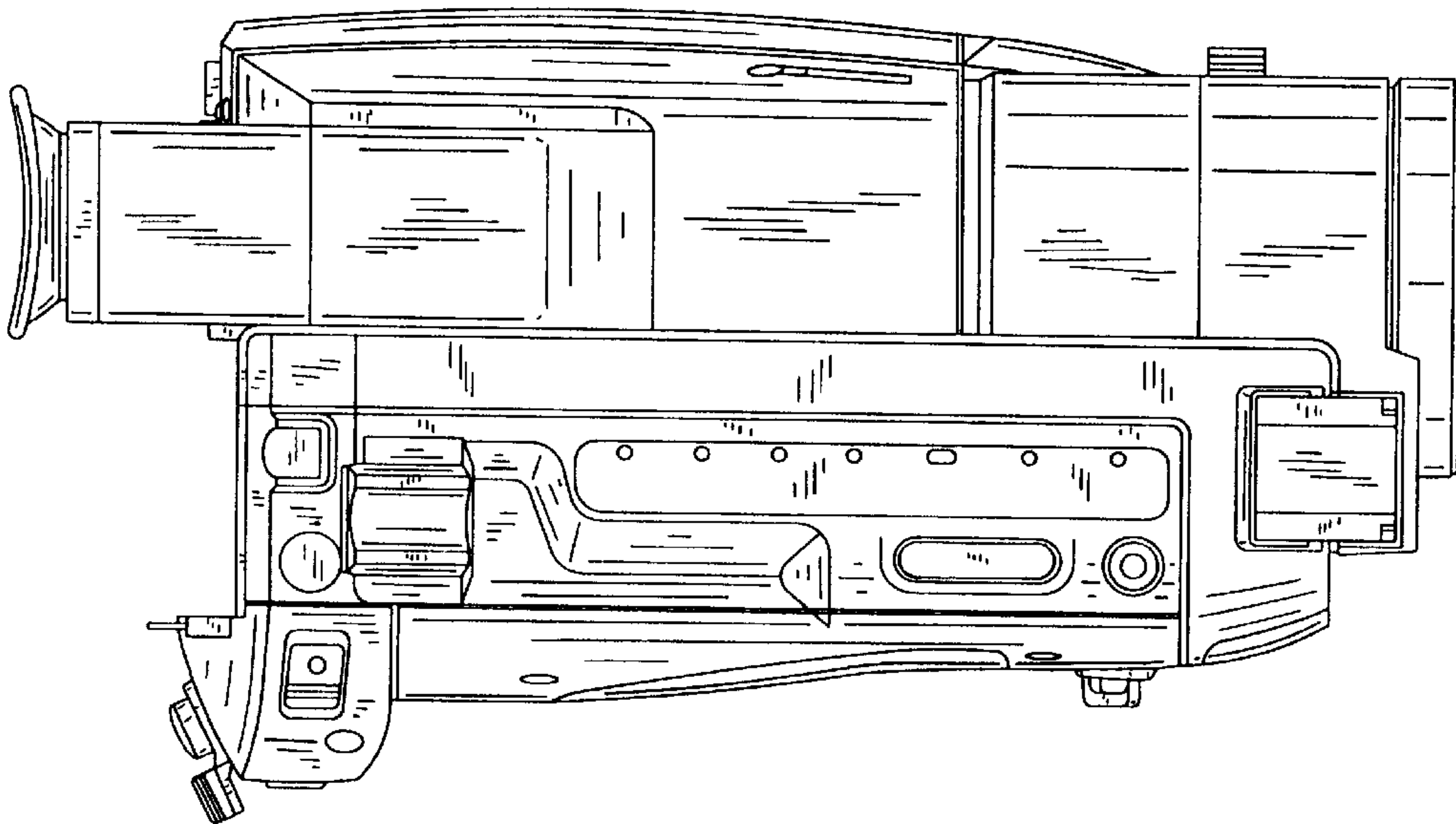


FIG. 8

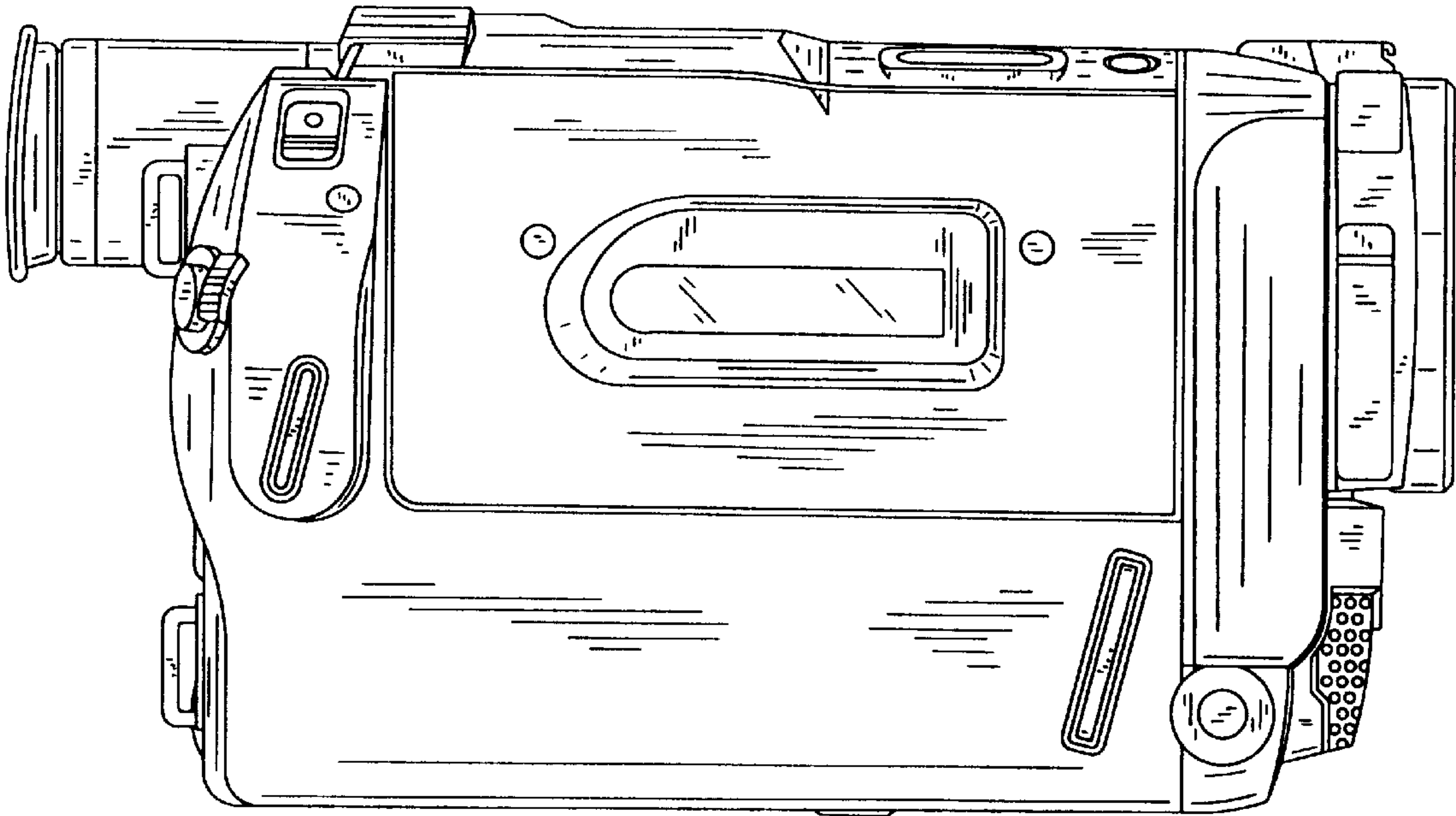


FIG. 9

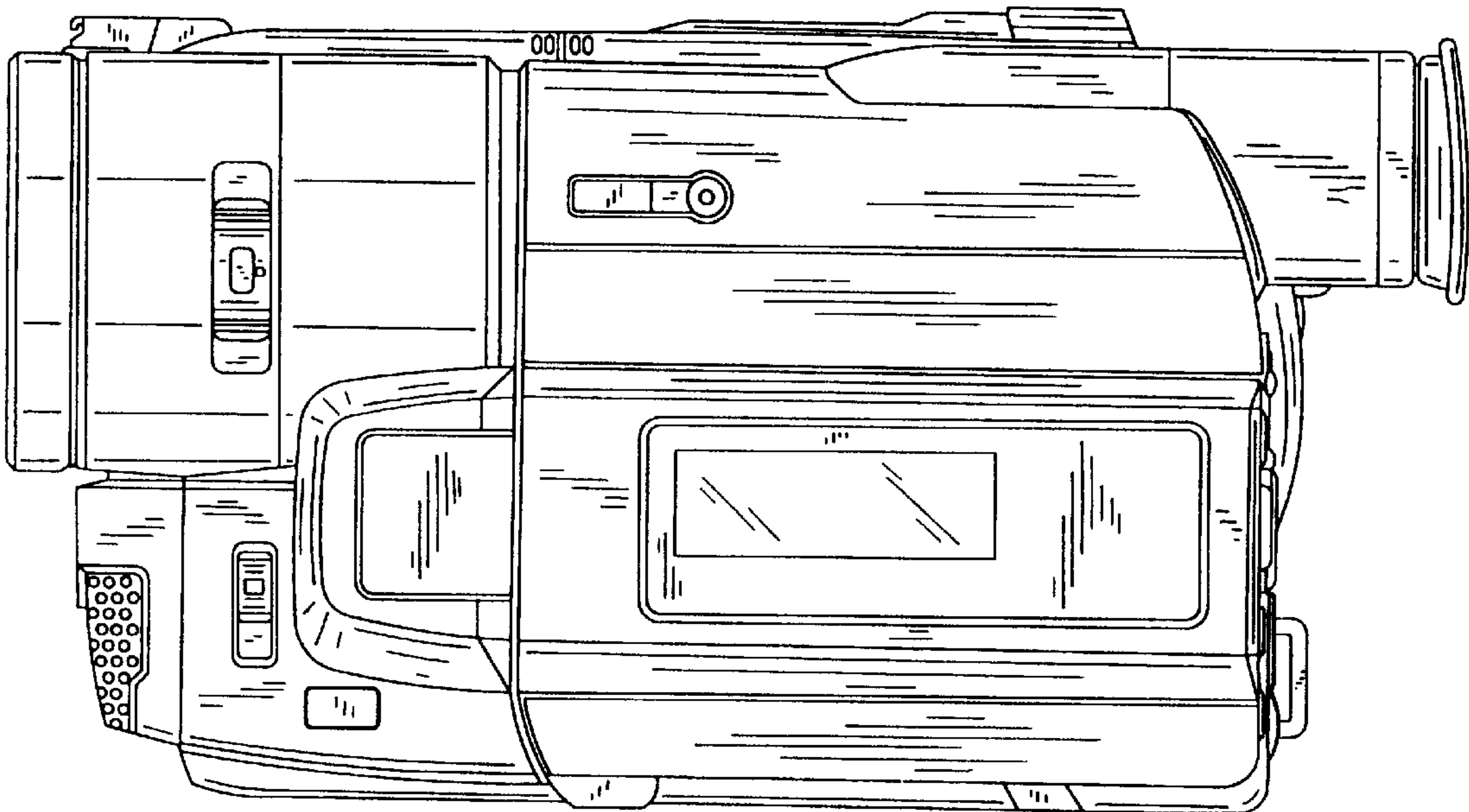


FIG. 11

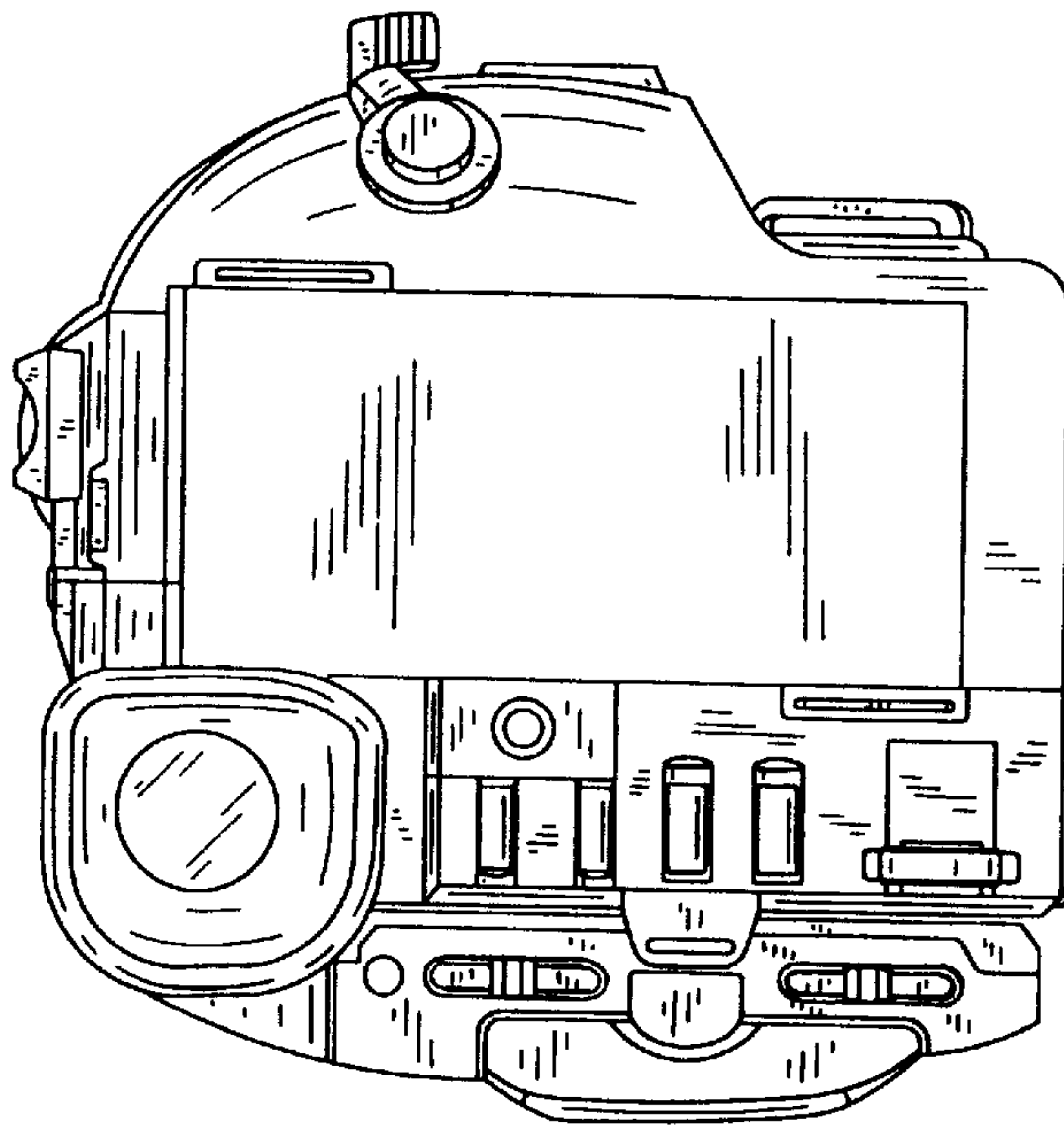


FIG. 10

