



US00D436362S

(12) **United States Design Patent**
Yu-Chin

(10) **Patent No.:** **US D436,362 S**

(45) **Date of Patent:** **** Jan. 16, 2001**

(54) **SUBMERSIBLE PUMP**

D. 426,554 * 6/2000 Wang D15/8

(75) Inventor: **Wang Yu-Chin**, Taipei (TW)

* cited by examiner

(73) Assignee: **Eiko Electric Products Corporation**,
Taipei (TW)

Primary Examiner—Ralf Seifert

(74) *Attorney, Agent, or Firm*—Dougherty & Troxell

(**) Term: **14 Years**

(57) **CLAIM**

The ornamental design for a submersible pump, as shown herein.

(21) Appl. No.: **29/114,484**

(22) Filed: **Nov. 23, 1999**

DESCRIPTION

(51) **LOC (7) Cl.** **15-02**

FIG. 1 is a top, front, right side, and perspective view of the new design;

(52) **U.S. Cl.** **D15/8**

FIG. 2 is a front view thereof;

(58) **Field of Search** D15/7-9; 210/169,
210/416.2; 415/8; 417/413.1, 410.1, 411

FIG. 3 is a rear view thereof;

FIG. 4 is a left view thereof;

FIG. 5 is a right view thereof;

FIG. 6 is a top plan view thereof; and,

FIG. 7 is a bottom plan view thereof.

(56) **References Cited**

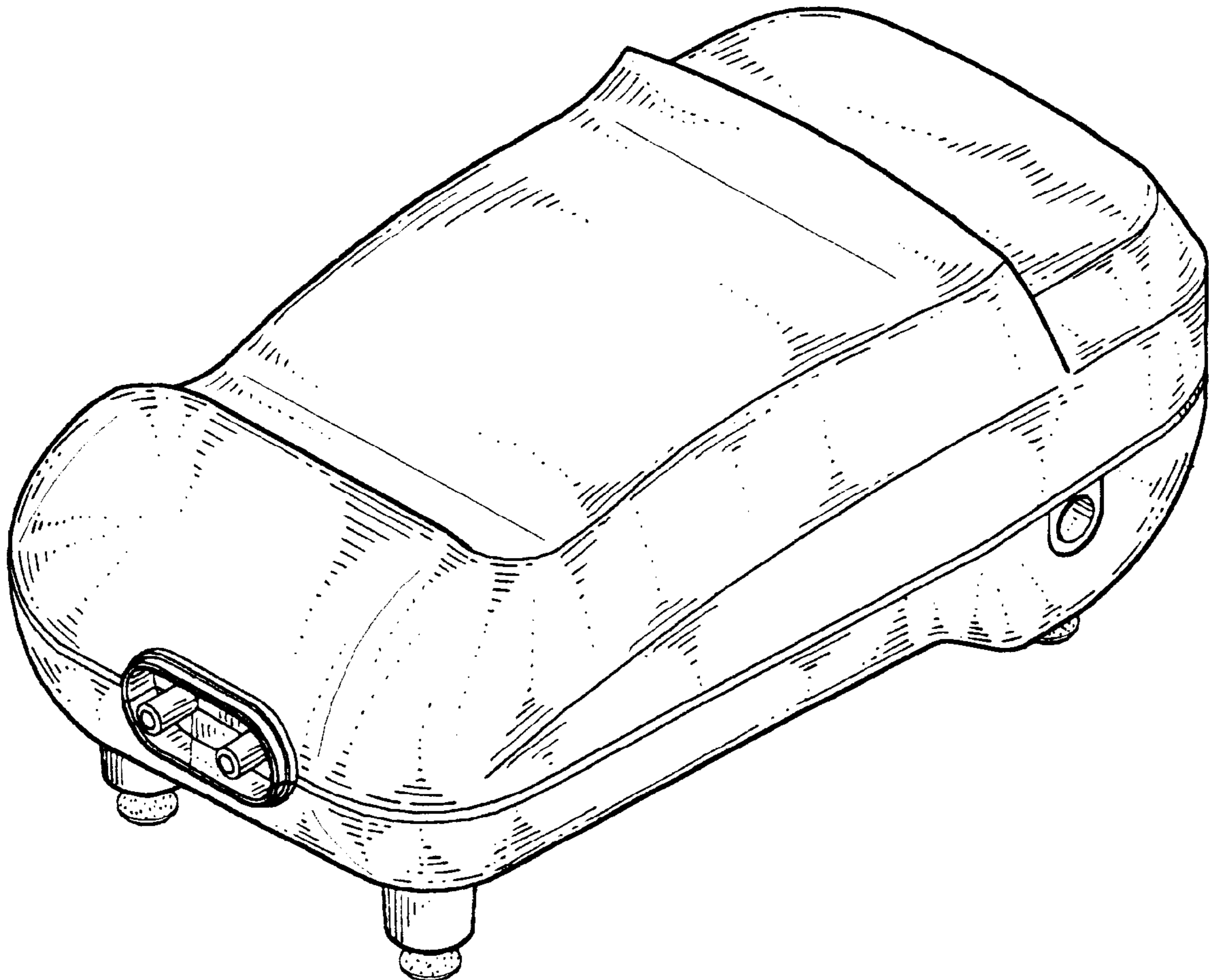
U.S. PATENT DOCUMENTS

D. 339,356 * 9/1993 Tsai D15/8

D. 395,318 * 6/1998 Wang D15/8

D. 426,243 * 6/2000 Wang D15/8

1 Claim, 4 Drawing Sheets



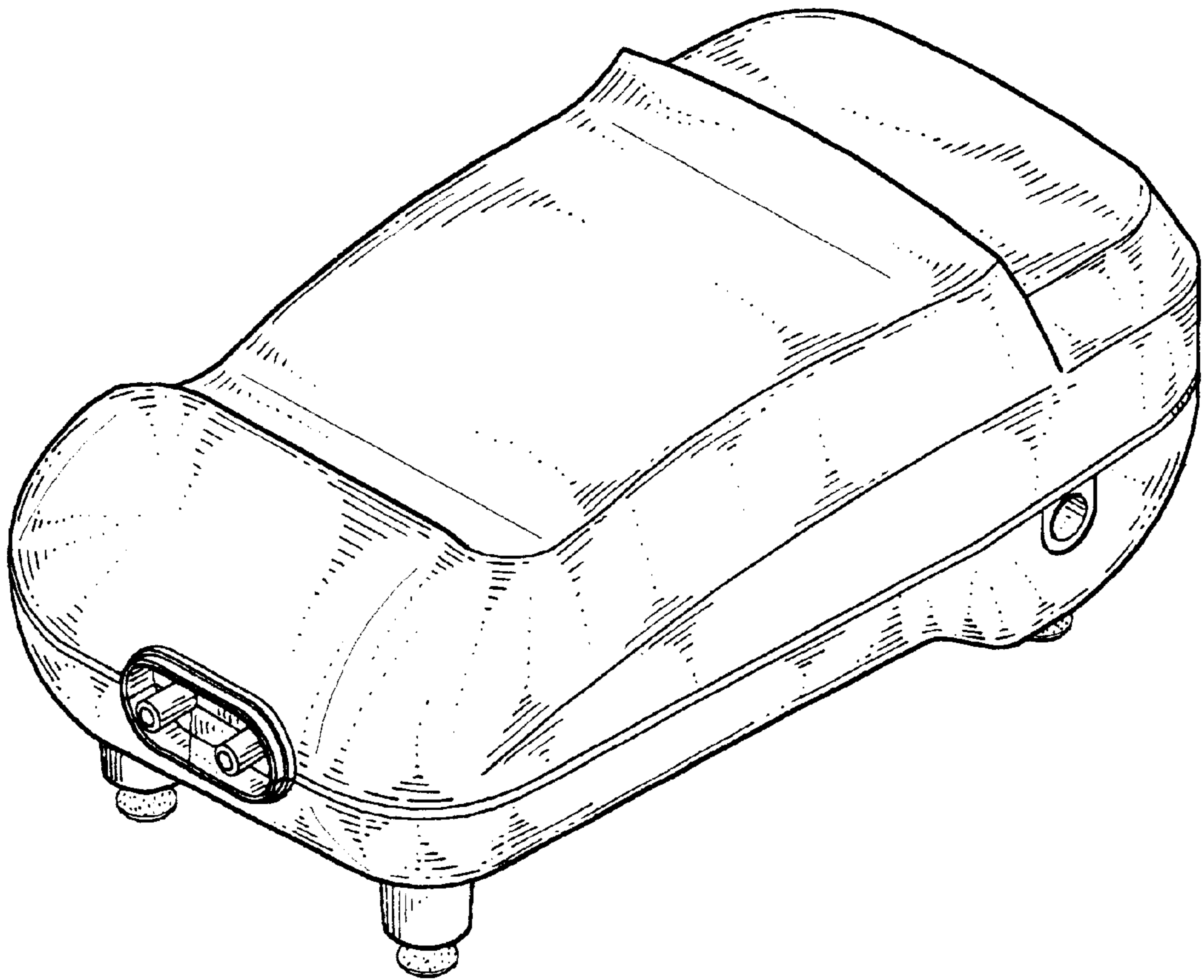


FIG. 1

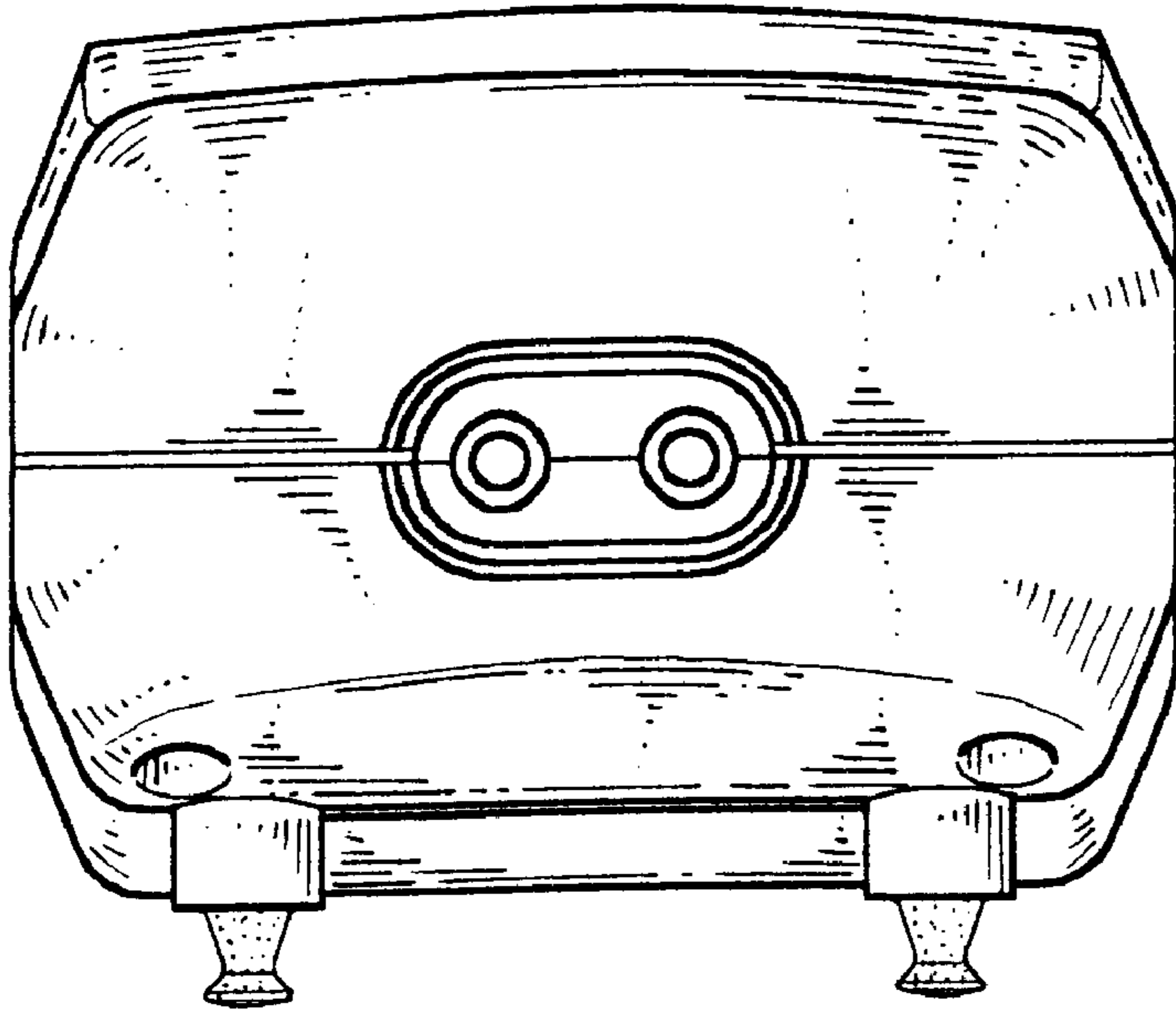


FIG. 2

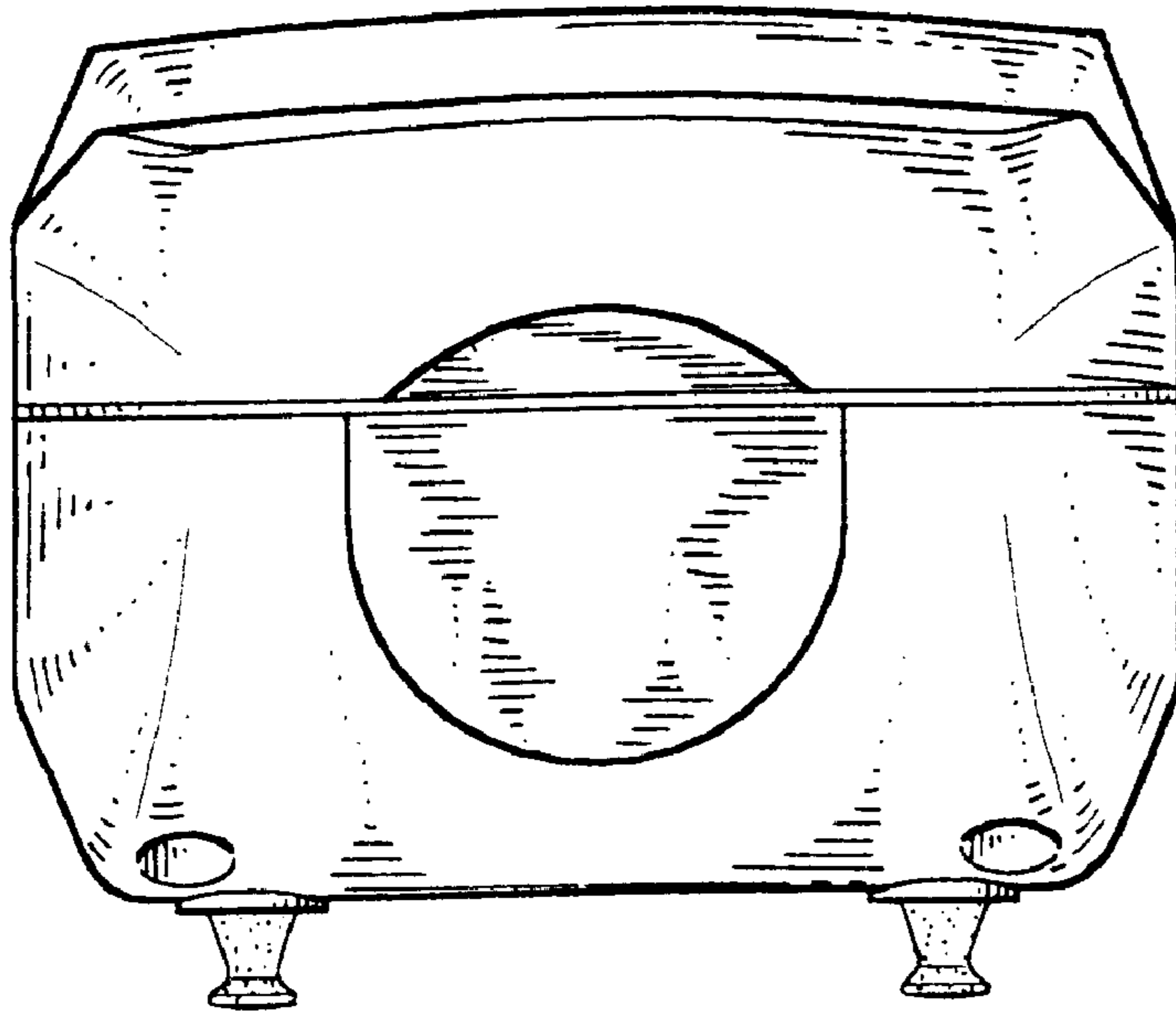


FIG. 3

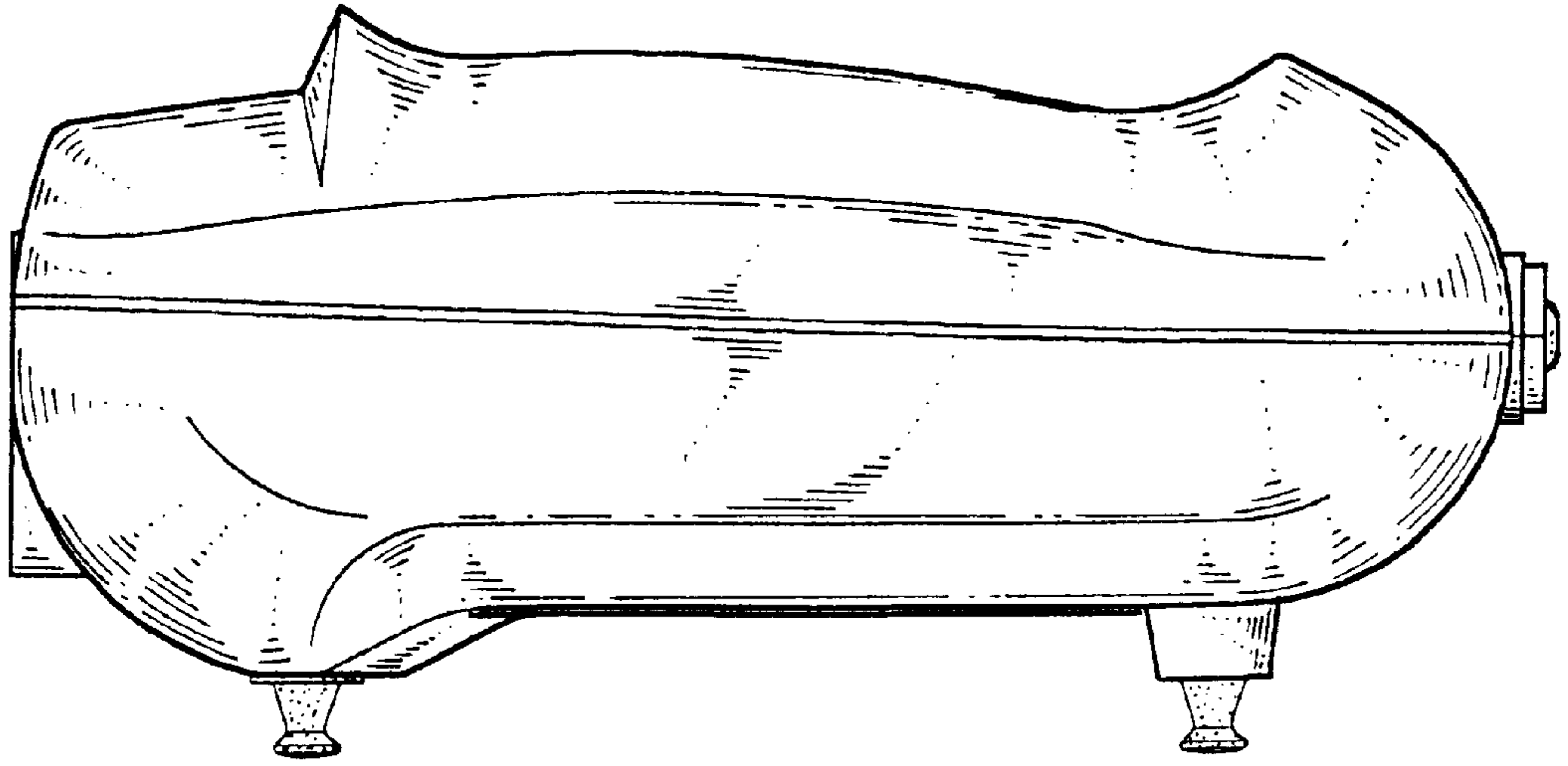


FIG. 4

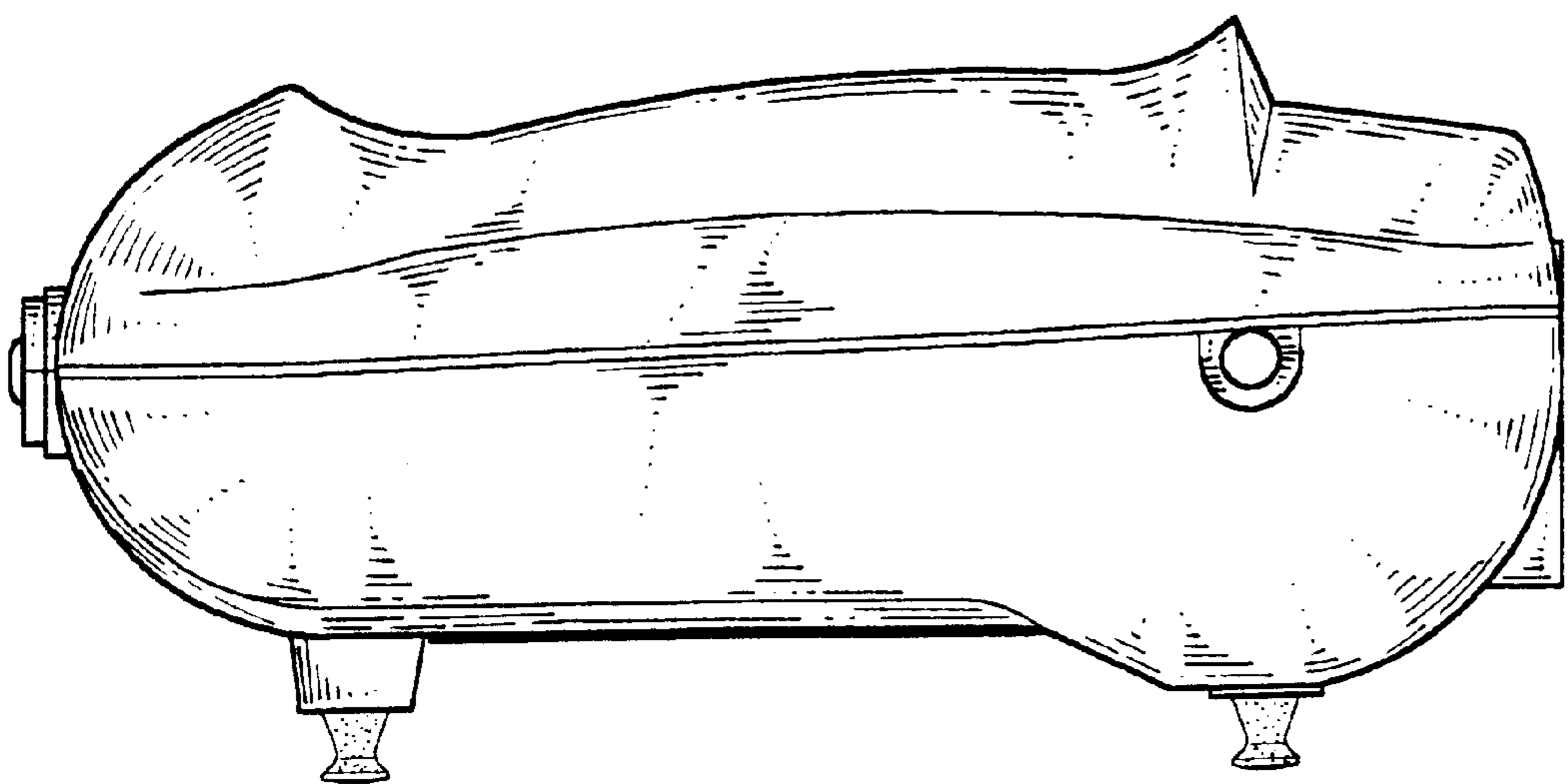


FIG. 5

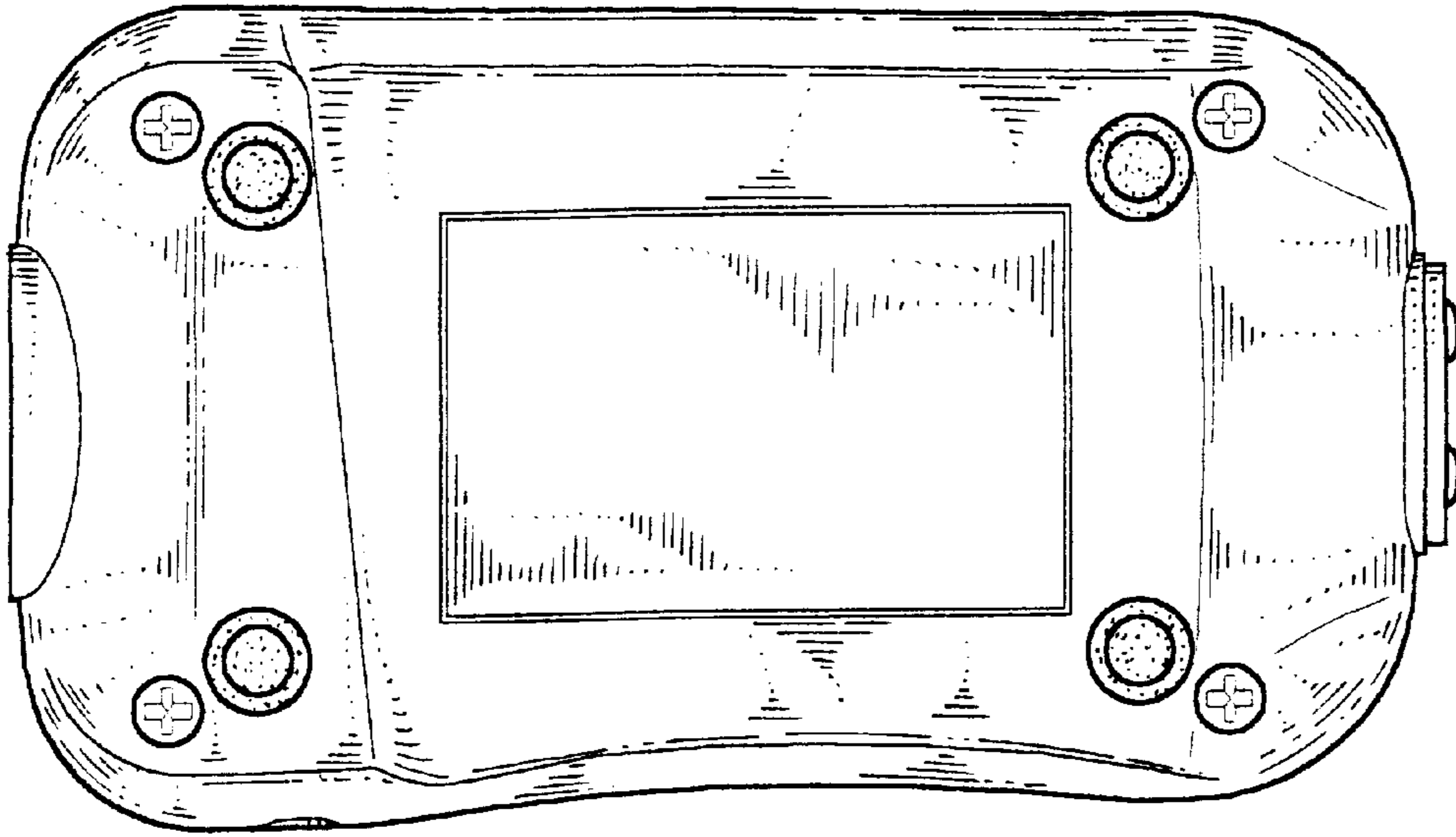


FIG. 7

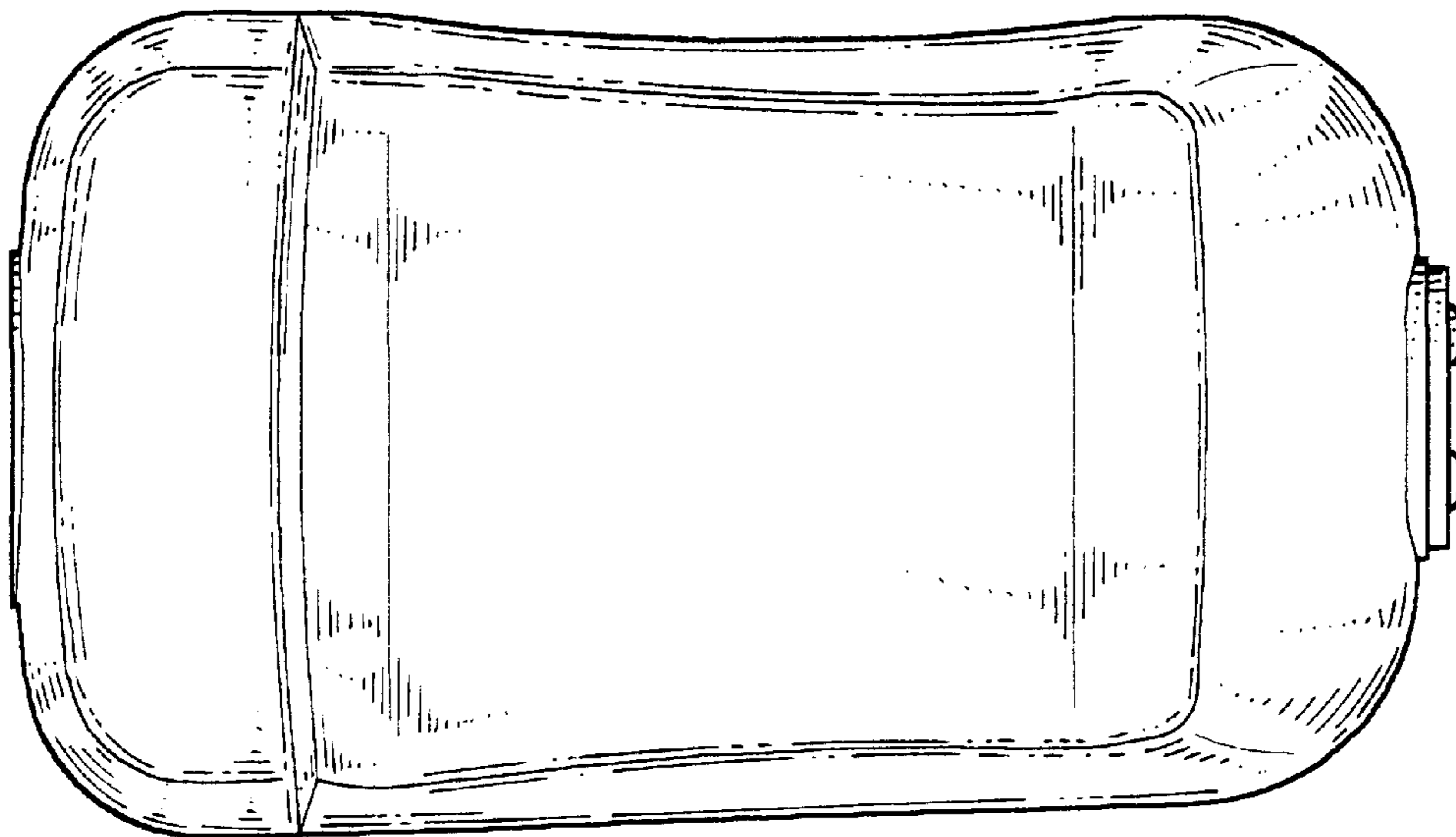


FIG. 6