



US00D436360S

(12) **United States Design Patent**
Murayama

(10) **Patent No.:** **US D436,360 S**

(45) **Date of Patent:** **** Jan. 16, 2001**

(54) **DIAPHRAGM PUMP**

(75) Inventor: **Yasuhiro Murayama, Takatsuki (JP)**

(73) Assignee: **Techno Takatsuki Co., Ltd., Takatsuki (JP)**

(**) Term: **14 Years**

(21) Appl. No.: **29/103,246**

(22) Filed: **Apr. 12, 1999**

(30) **Foreign Application Priority Data**

Oct. 15, 1998 (JP) 10-30025

(51) **LOC (7) Cl.** **15-02**

(52) **U.S. Cl.** **D15/7**

(58) **Field of Search** D15/7-9; 417/410.1,
417/413.1, 423.3, 40, 88, 417; 200/84 B

(56) **References Cited**

U.S. PATENT DOCUMENTS

- D. 235,168 * 5/1975 Boyers .
- D. 286,782 * 11/1986 Somers D15/7
- D. 333,664 * 3/1993 Carroll D15/7
- D. 374,075 * 9/1996 Lee D15/7

* cited by examiner

Primary Examiner—Ralf Seifert
(74) *Attorney, Agent, or Firm*—Armstrong, Westerman,
Hattori, McLeland & Naughton

(57) **CLAIM**

The ornamental design for a diaphragm pump, as shown and described.

DESCRIPTION

The article to which my new design is applied, “diaphragm pump”, is used as air pump for supplying air into air mat or air bed. The advantage of this article is that it has an excellent low noise effect, because container which contains driving unit (pump body), filter holder and fluid tank are formed as one unit, and besides casing has a shape like a bathtub turned upside down, not like a bathtub in a normal position with lid as usual.

FIG. 1 is a perspective view of my new design of diaphragm pump;

FIG. 2 is a front view thereof;

FIG. 3 is a rear view thereof;

FIG. 4 is a right side view thereof;

FIG. 5 is a left side view thereof;

FIG. 6 is a plane view thereof; and,

FIG. 7 is a bottom view thereof.

1 Claim, 7 Drawing Sheets

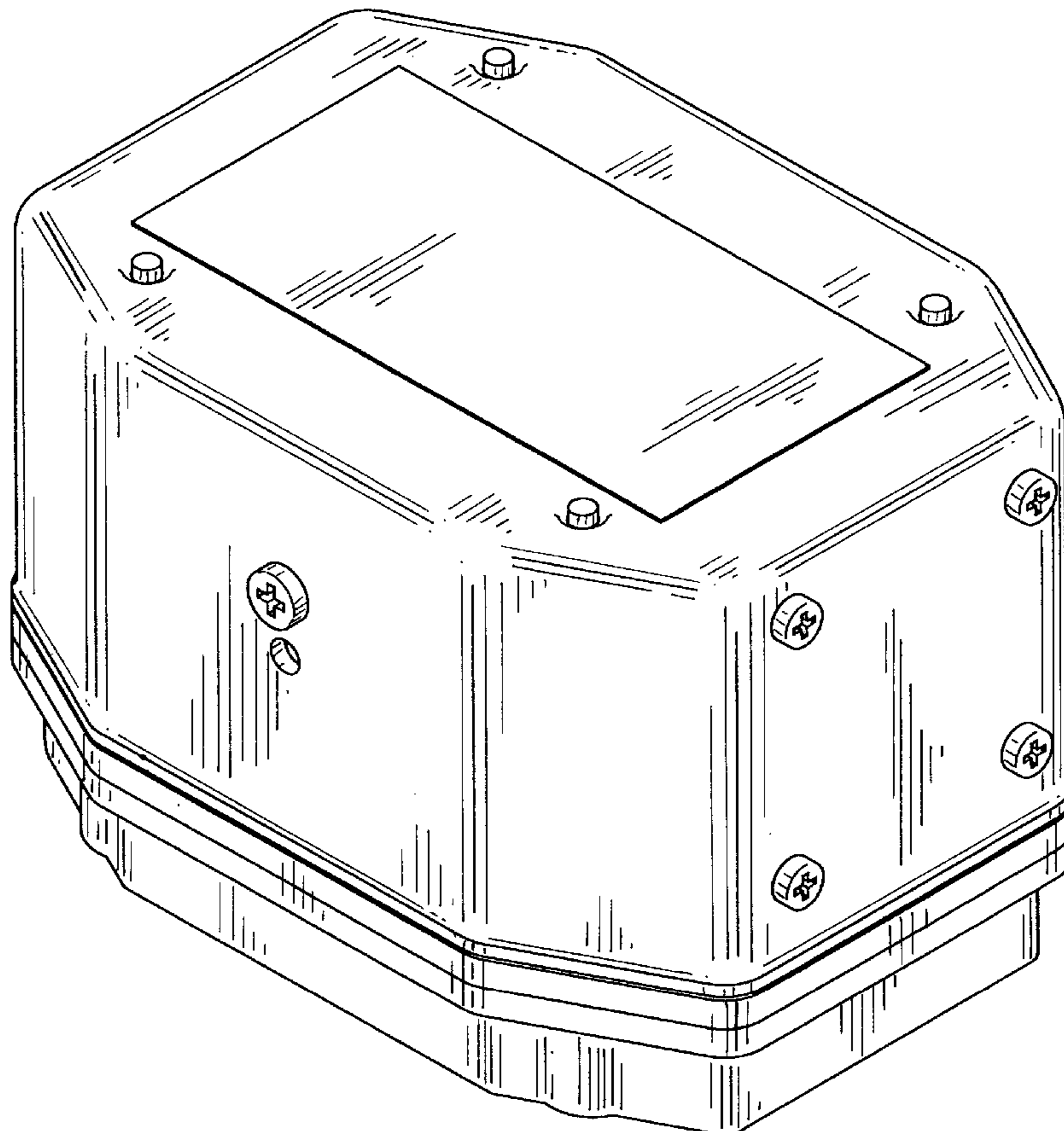


FIG. 1

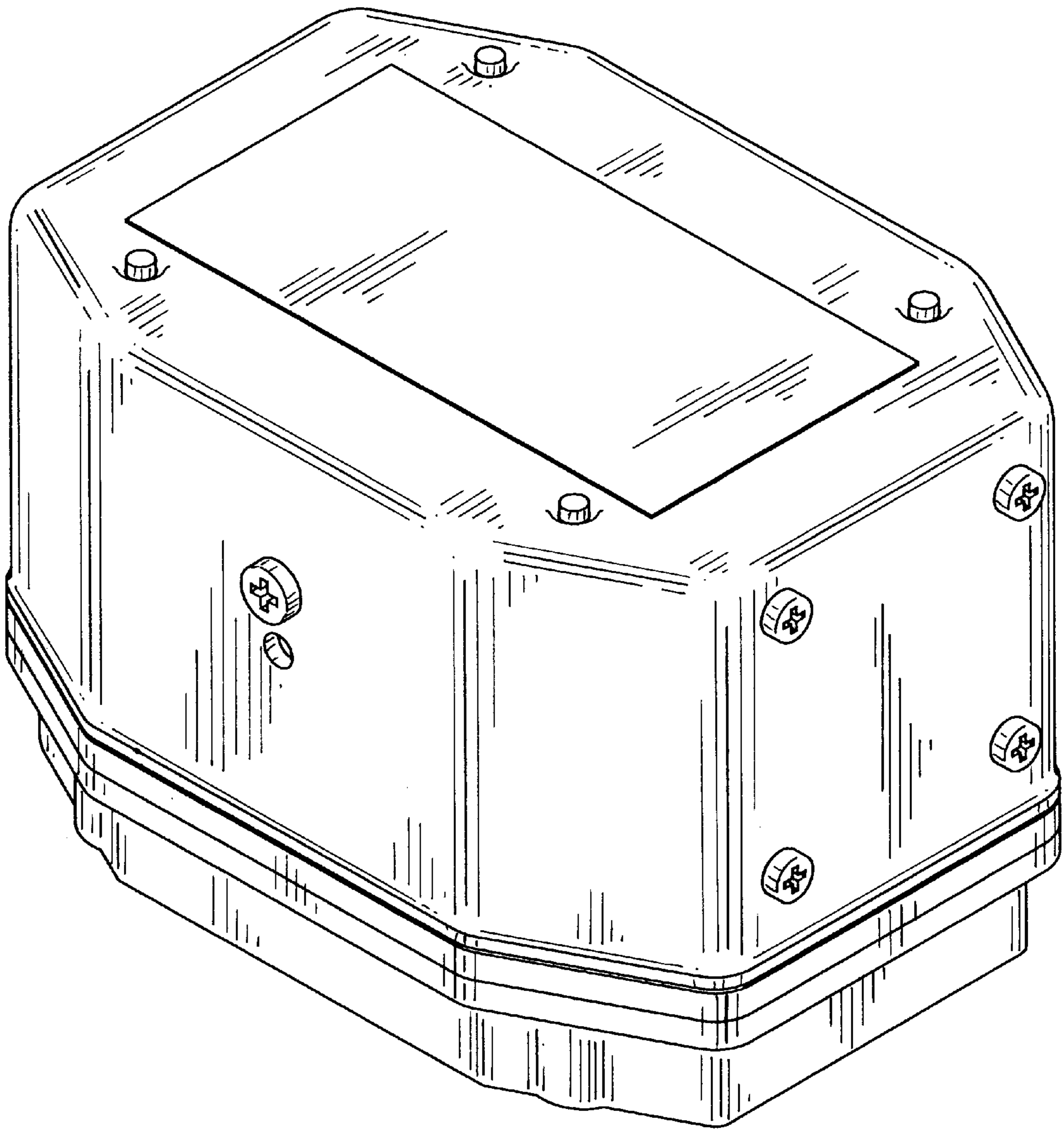


FIG. 2

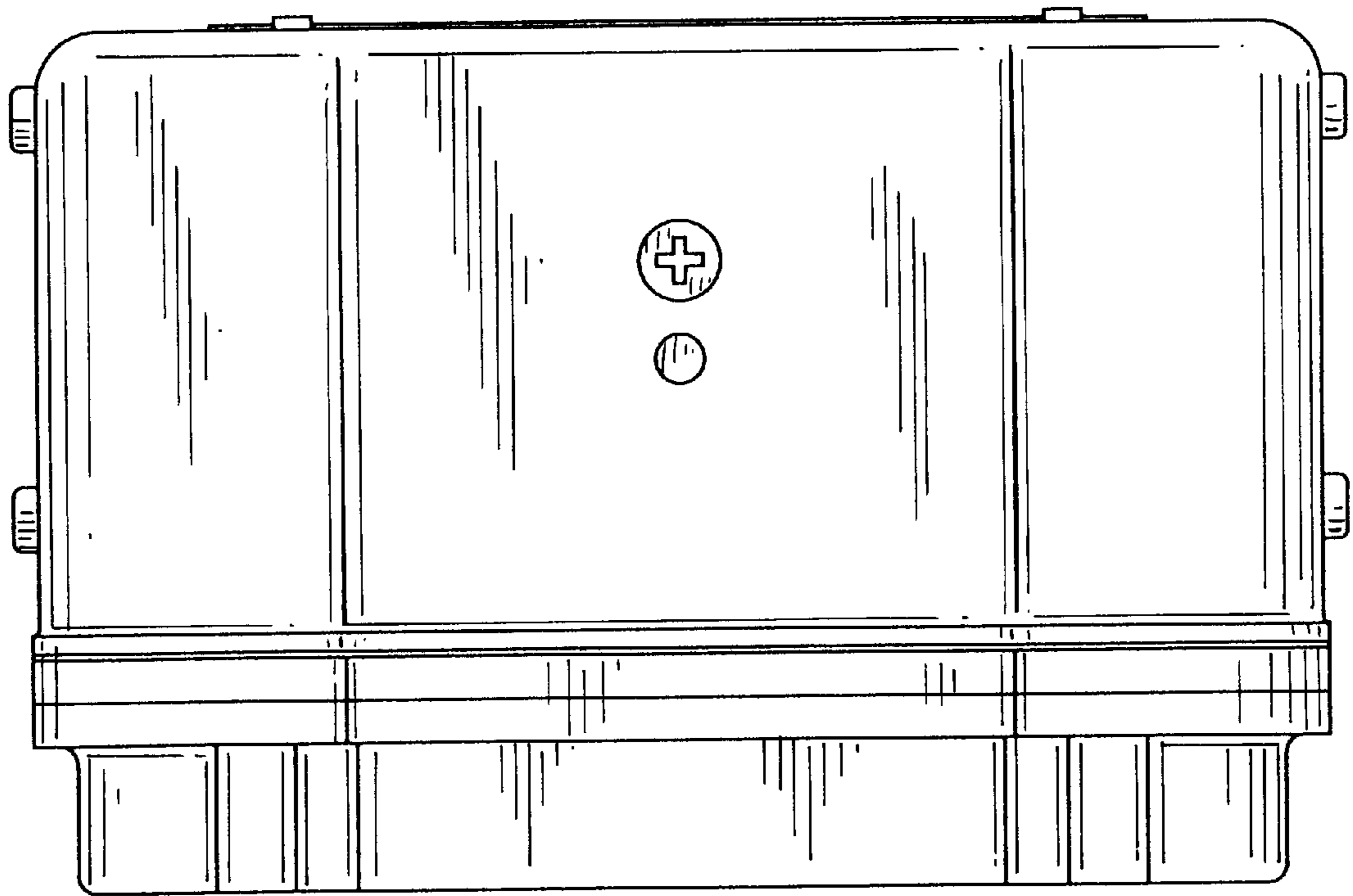


FIG. 3

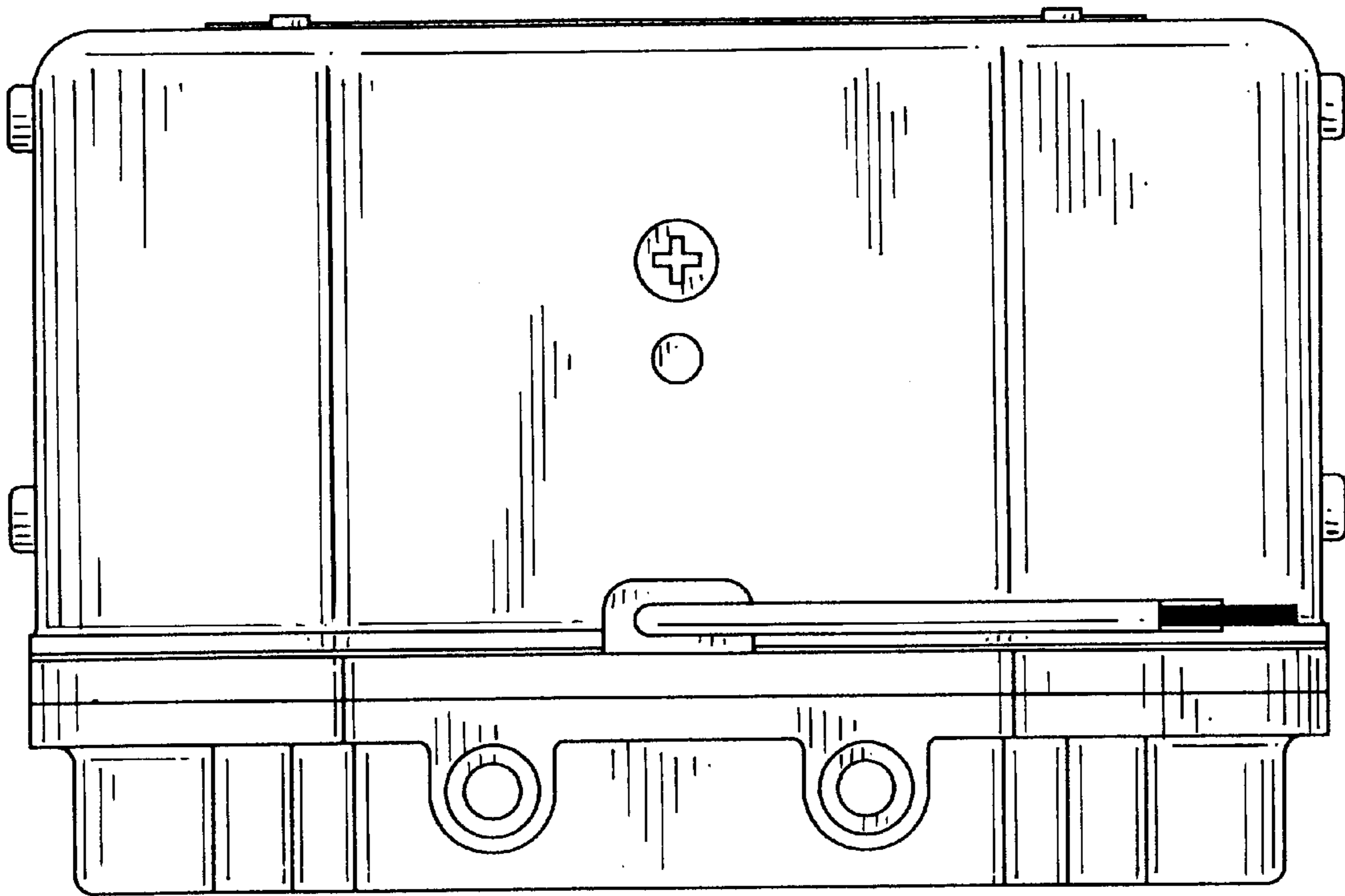


FIG. 4

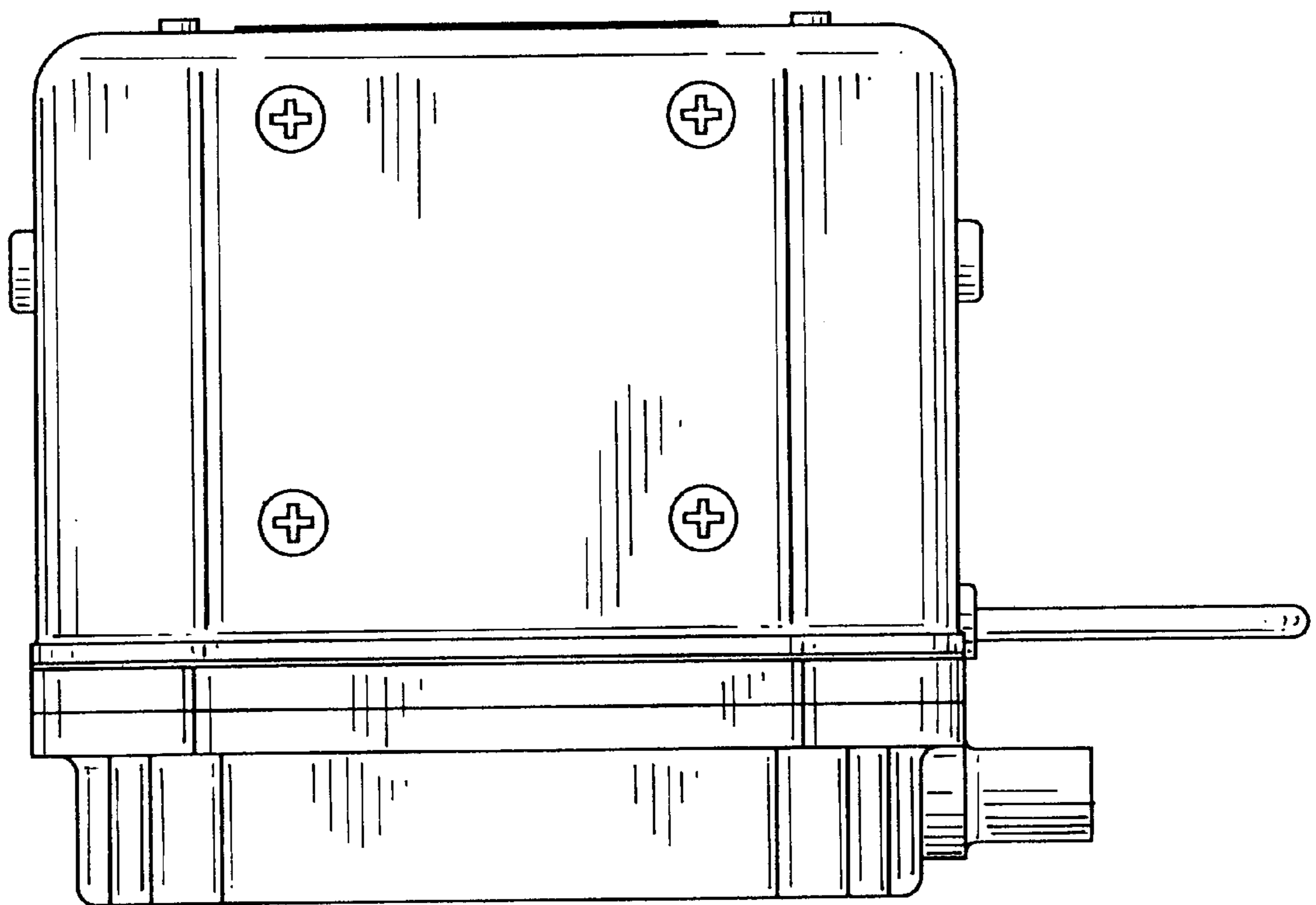


FIG. 5

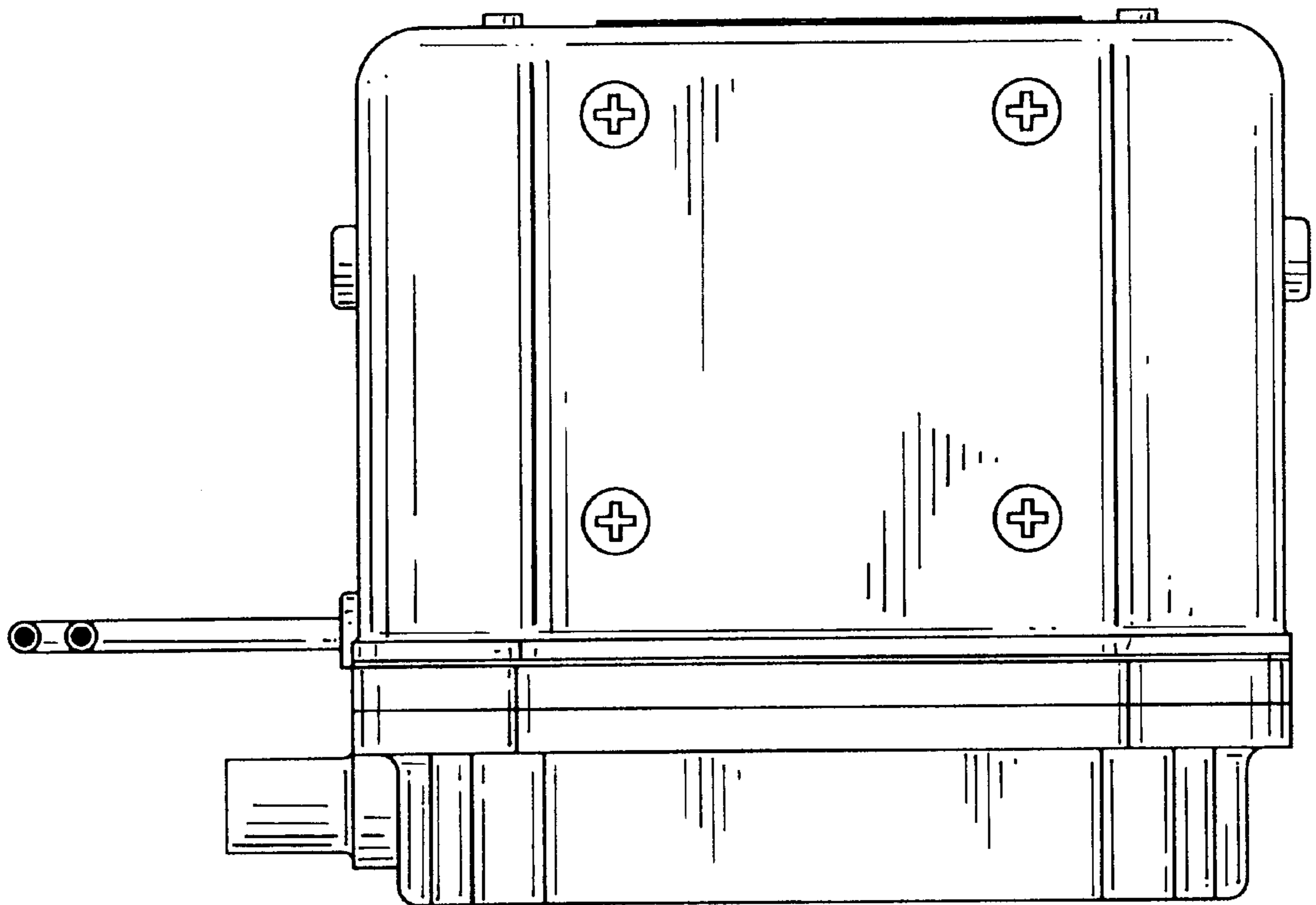


FIG. 6

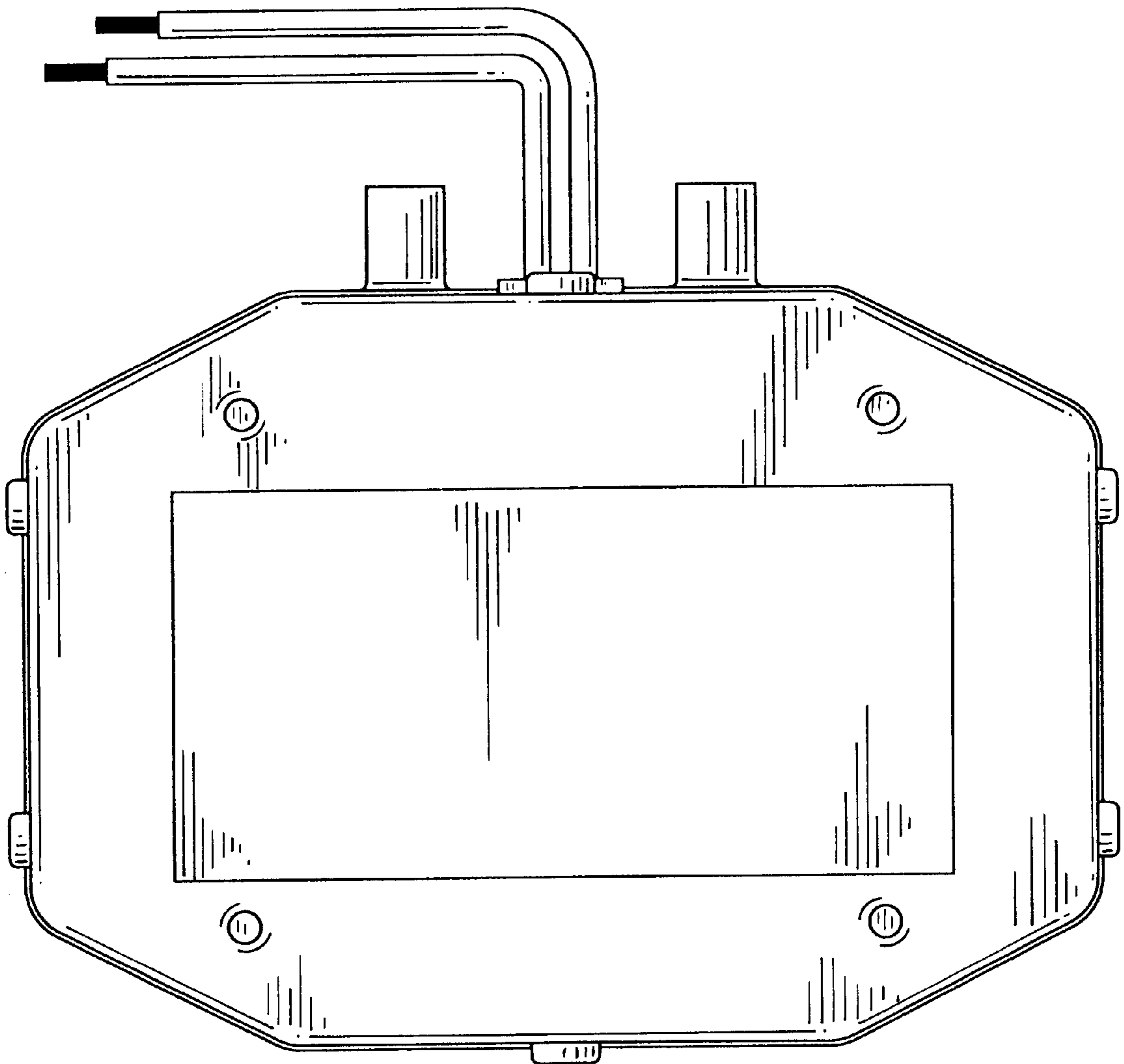


FIG. 7

