



US00D436354S

(12) **United States Design Patent**  
**Kodimer**

(10) **Patent No.:** **US D436,354 S**

(45) **Date of Patent:** **\*\* Jan. 16, 2001**

(54) **DUAL DISPLAY ERGONOMIC CONTROL CONSOLE**

(75) **Inventor:** **Dennis A. Kodimer**, Scottsdale, AZ (US)

(73) **Assignee:** **Honeywell International Inc.**, Morristown, NJ (US)

(\*\*) **Term:** **14 Years**

(21) **Appl. No.:** **29/115,246**

(22) **Filed:** **Dec. 9, 1999**

(51) **LOC (7) Cl.** ..... **14-02**

(52) **U.S. Cl.** ..... **D14/306**

(58) **Field of Search** ..... D14/304, 305, D14/306, 335, 127; D13/162, 163, 184, 199; 312/198; 361/682; D24/172

(56) **References Cited**

**U.S. PATENT DOCUMENTS**

D. 305,686 \* 1/1990 Fischer ..... D24/172

D. 339,571 \* 9/1993 Drabczyk et al. .... D14/306  
D. 346,586 \* 5/1994 Miyake et al. .... D13/163  
D. 392,261 \* 3/1998 Kodimer ..... D14/305  
D. 401,227 \* 11/1998 Catta ..... D14/305  
4,113,331 \* 9/1978 Derdzinski et al. .... 312/198  
5,187,641 \* 2/1993 Muskatello et al. .... 361/682

\* cited by examiner

*Primary Examiner*—Freda Nunn

(74) *Attorney, Agent, or Firm*—Anthony Miologos

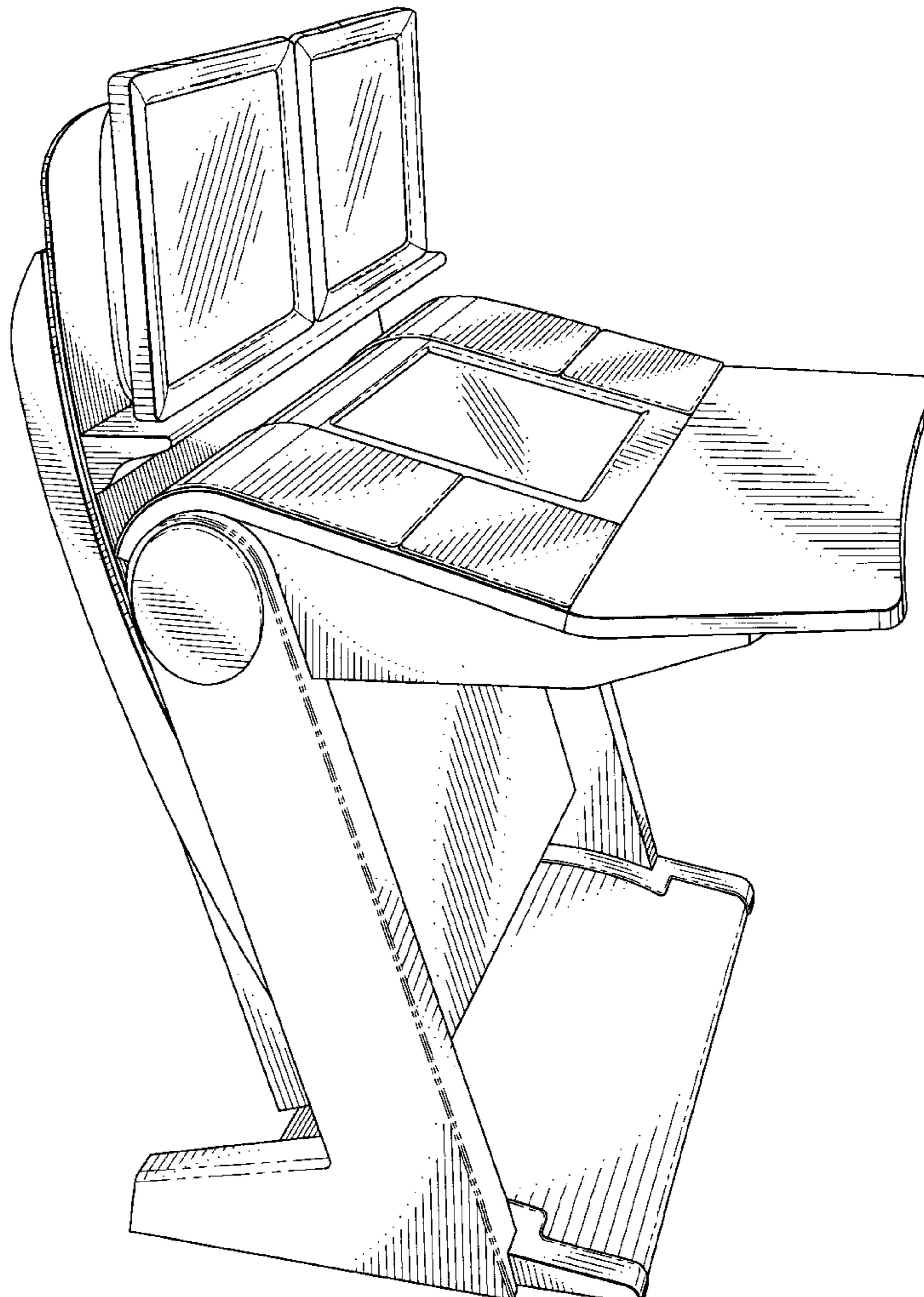
(57) **CLAIM**

The ornamental design for a dual display ergonomic control console, as shown and described.

**DESCRIPTION**

FIG. 1 is a front side perspective view of a dual display ergonomic control console showing my new design; FIG. 2 is right side perspective view thereof, the left side view being a mirror image of the side shown; and, FIG. 3 is rear side perspective view thereof.

**1 Claim, 3 Drawing Sheets**



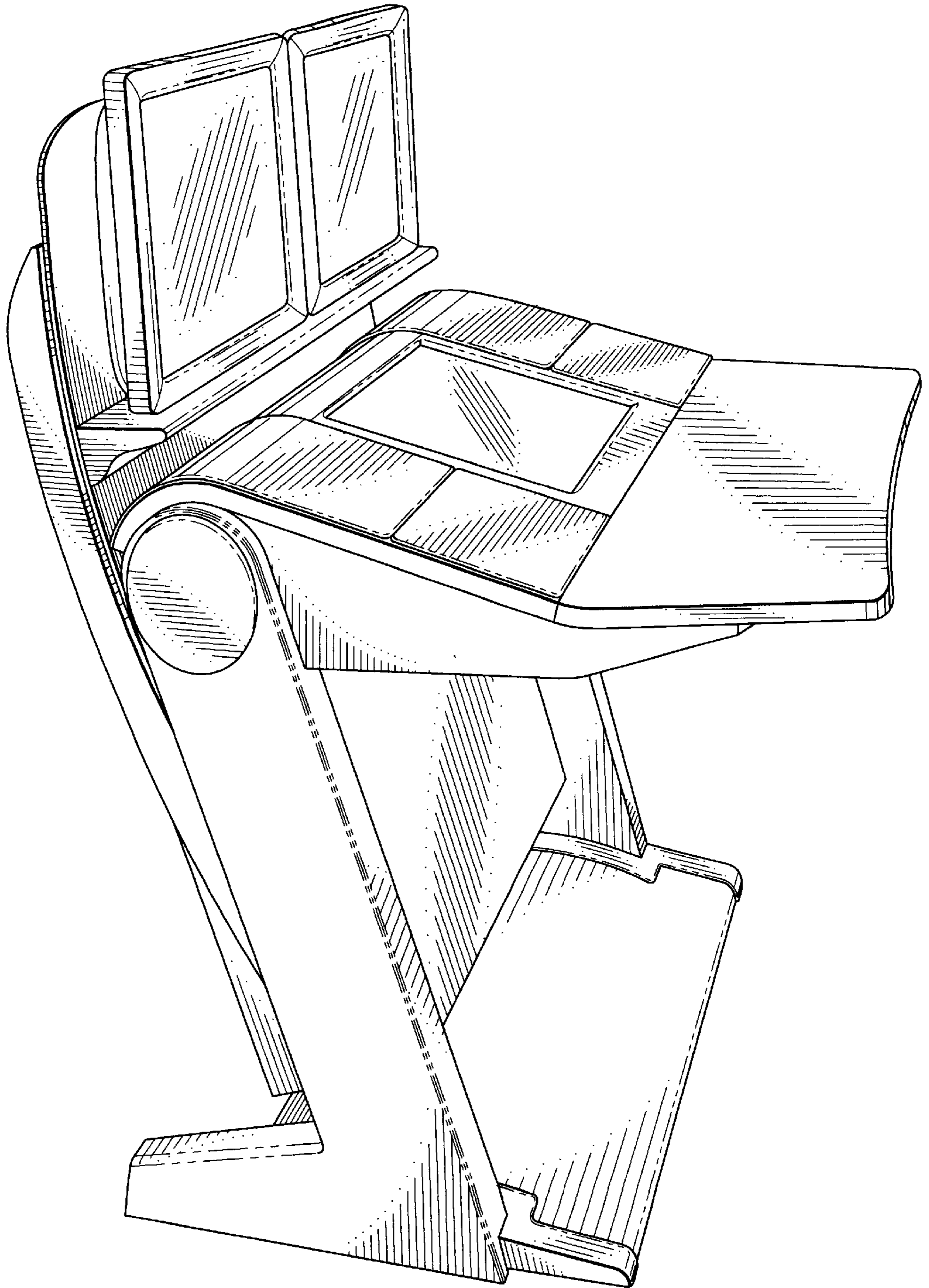


FIG. 1

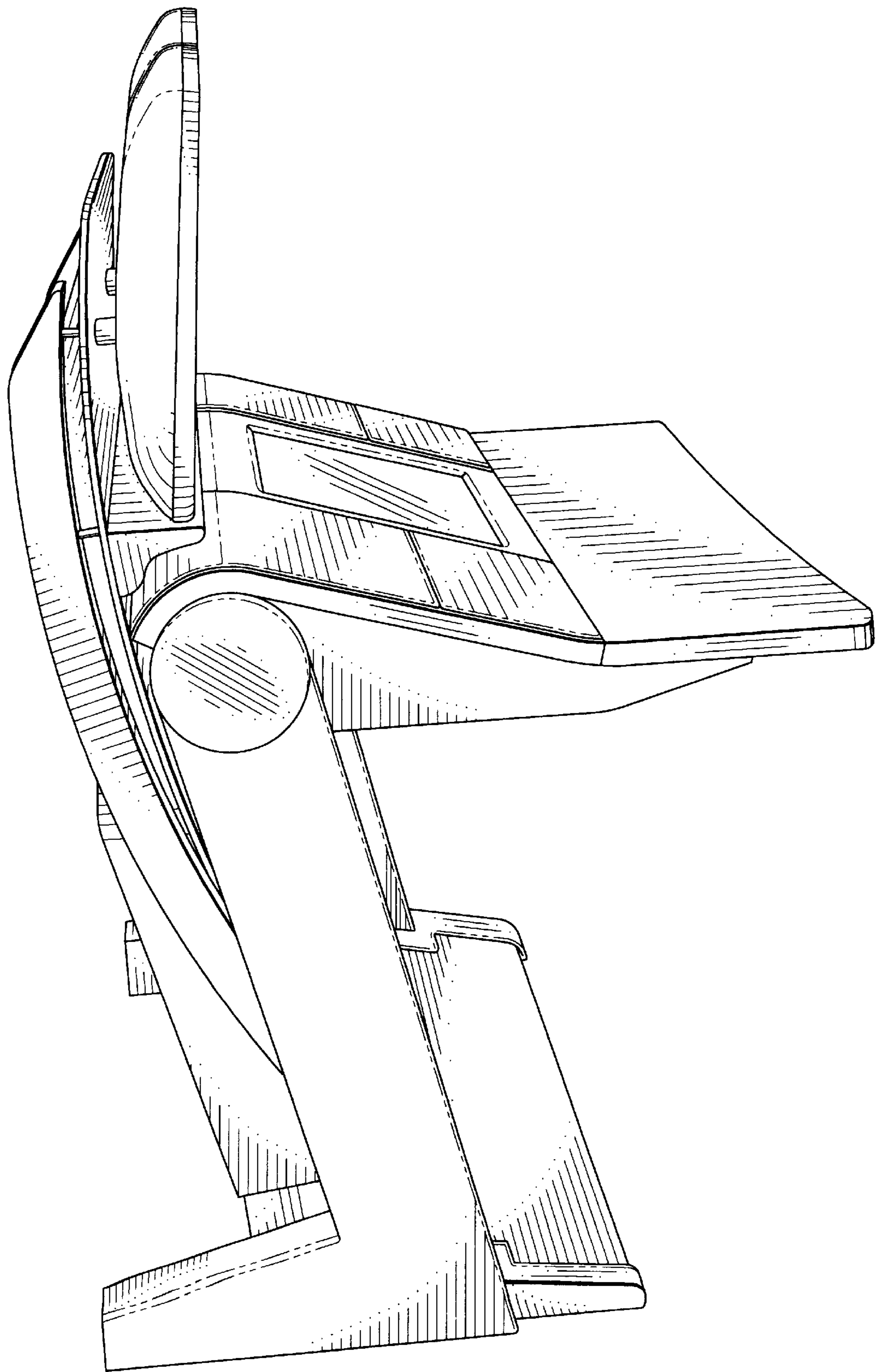


FIG. 2

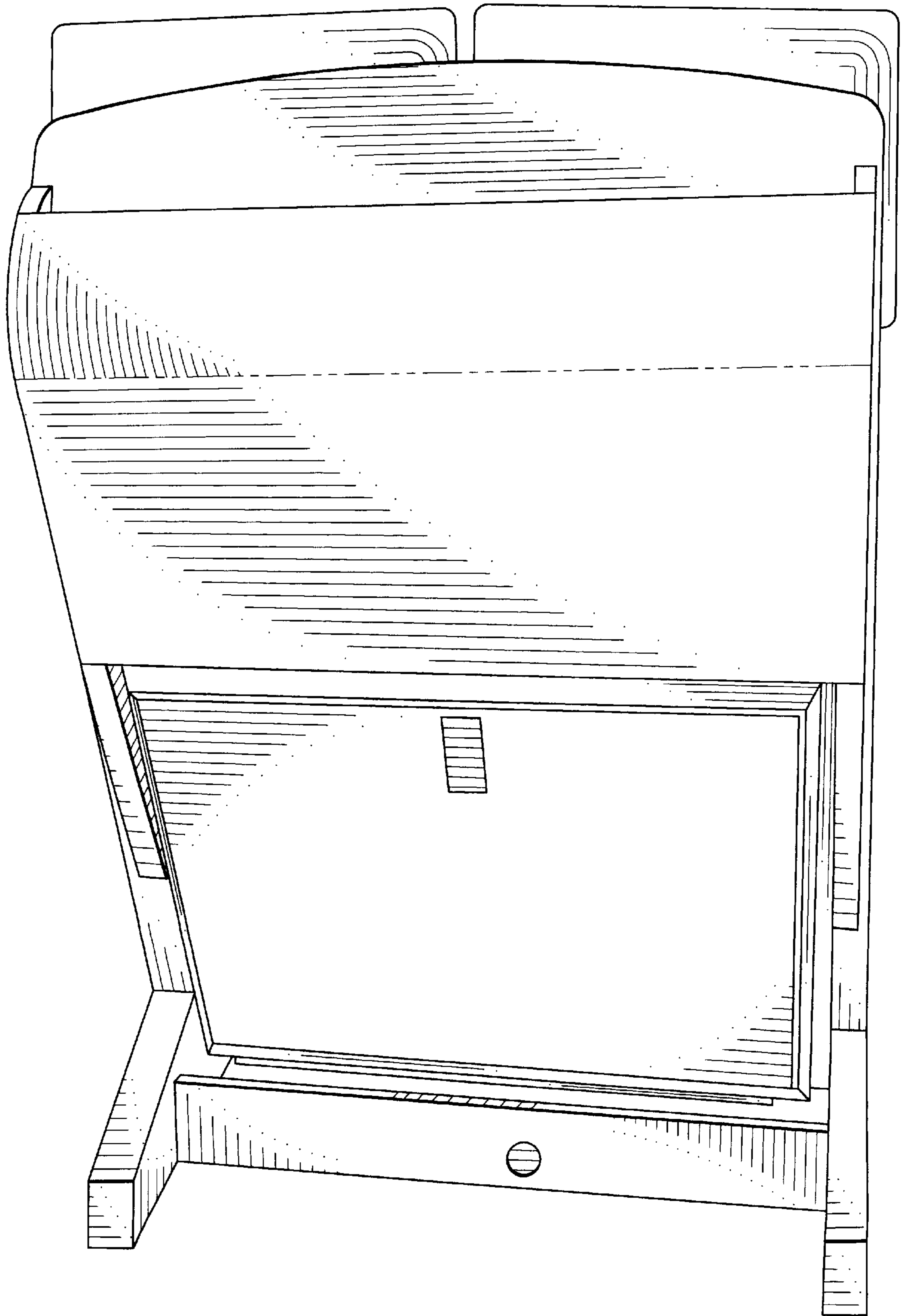


FIG. 3