



US00D436348S

(12) **United States Design Patent**
McGugan

(10) **Patent No.:** **US D436,348 S**

(45) **Date of Patent:** **** Jan. 16, 2001**

(54) **HEADSET**

(75) **Inventor:** **Steve McGugan**, Klampenborg (DK)

(73) **Assignee:** **GN Netcom A/S**, Ballerup (DK)

(**) **Term:** **14 Years**

(21) **Appl. No.:** **29/097,803**

(22) **Filed:** **Dec. 14, 1998**

(30) **Foreign Application Priority Data**

Jul. 3, 1998 (DK) MA 1998 00675

(51) **LOC (7) Cl.** **14-03**

(52) **U.S. Cl.** **D14/142; D14/206**

(58) **Field of Search** D14/137, 138,
D14/147-148, 247-248, 250, 240, 140,
142, 205, 206, 223; 379/430, 441, 442,
433, 434, 419, 420, 428, 440; 455/550-575,
90; 381/375-378, 385, 374, 380, 381; 181/128,
137

(56) **References Cited**

U.S. PATENT DOCUMENTS

D. 327,265	*	6/1992	Jasey	D14/206
D. 337,116	*	7/1993	Hattori	D14/206
D. 344,730	*	3/1994	Gathey et al.	D14/206
D. 364,617	*	11/1995	Fitzgerald	D14/142
D. 365,559	*	12/1995	Fathi	D14/142
D. 375,313	*	11/1996	Jensen et al.	D14/206
D. 377,020		12/1996	Bungardt et al.	..	
D. 384,958	*	10/1997	Shudo	D14/206
D. 394,058	*	5/1998	Fitzgerald	D14/142
D. 394,436	*	5/1998	Hall et al.	D14/206
D. 394,437		5/1998	Landreth et al.	..	
D. 404,734	*	1/1999	Andrea	D14/206
D. 405,786	*	2/1999	Leifer	D14/142
D. 410,921	*	6/1999	Luchs et al.	D14/142
3,440,365	*	4/1969	Bryant et al	379/430
3,457,376	*	7/1969	Kreisel et al.	379/430
3,862,378	*	1/1975	Norris	379/430
4,090,042	*	5/1978	Larkin	379/430
4,311,874		1/1982	Wallace, Jr.	..	

4,420,657	*	12/1983	Larkin	379/430
4,864,610	*	9/1989	Stevens	381/187 X
4,875,233	*	10/1989	Derhaag et al.	379/430
4,893,344	*	1/1990	Tragardh et al.	381/187
5,058,155	*	10/1991	Larsen	379/442
5,058,170		10/1991	Kanamori et al.	..	
5,099,514	*	3/1992	Acree	379/441
5,191,602	*	3/1993	Regen et al.	455/568
5,210,792	*	5/1993	Kajihara	379/430
5,369,857	*	12/1994	Sacherman et al.	381/183 X
5,446,788	*	8/1995	Lucey et al.	379/430
5,469,505	*	11/1995	Gathey et al.	379/430
5,504,812	*	4/1996	Vangarde	379/430
5,757,944	*	5/1998	Jensen et al.	381/385
5,787,166	*	7/1998	Ullman	379/430
5,848,172		12/1998	Allen et al.	..	
5,862,240		1/1999	Ohkubo et al.	..	
6,016,347	*	1/2000	Magnasco et al.	379/430

FOREIGN PATENT DOCUMENTS

4445549	3/1996	(DE)	..
781070	6/1997	(EP)	..

* cited by examiner

Primary Examiner—Jeffrey Asch

(74) *Attorney, Agent, or Firm*—Altera Law Group, LLC

(57) **CLAIM**

The ornamental design for a headset, as shown.

DESCRIPTION

The parts referred to consist of a microphone boom arm and a T-bar which can be mounted on the end of the head spring band.

FIG. 1 is a front and bottom right perspective view showing my new invention;

FIG. 2 is as right side elevation view of FIG. 1;

FIG. 3 is a left side elevation view of FIG. 1;

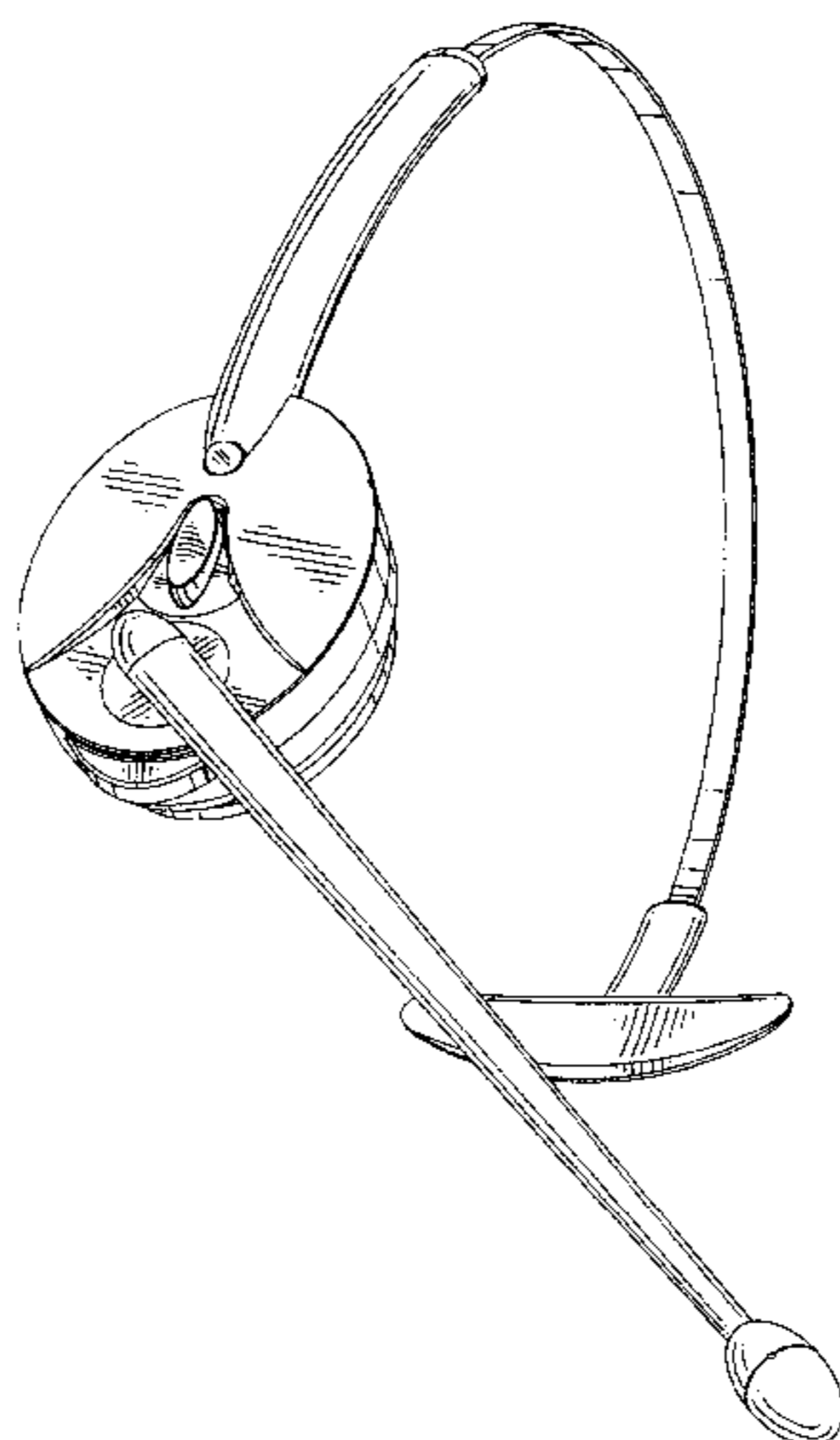
FIG. 4 is a bottom plane view of FIG. 1;

FIG. 5 is a front elevation view of FIG. 1;

FIG. 6 is a rear elevation view of FIG. 1; and,

FIG. 7 is a top plane view of FIG. 1.

1 Claim, 4 Drawing Sheets



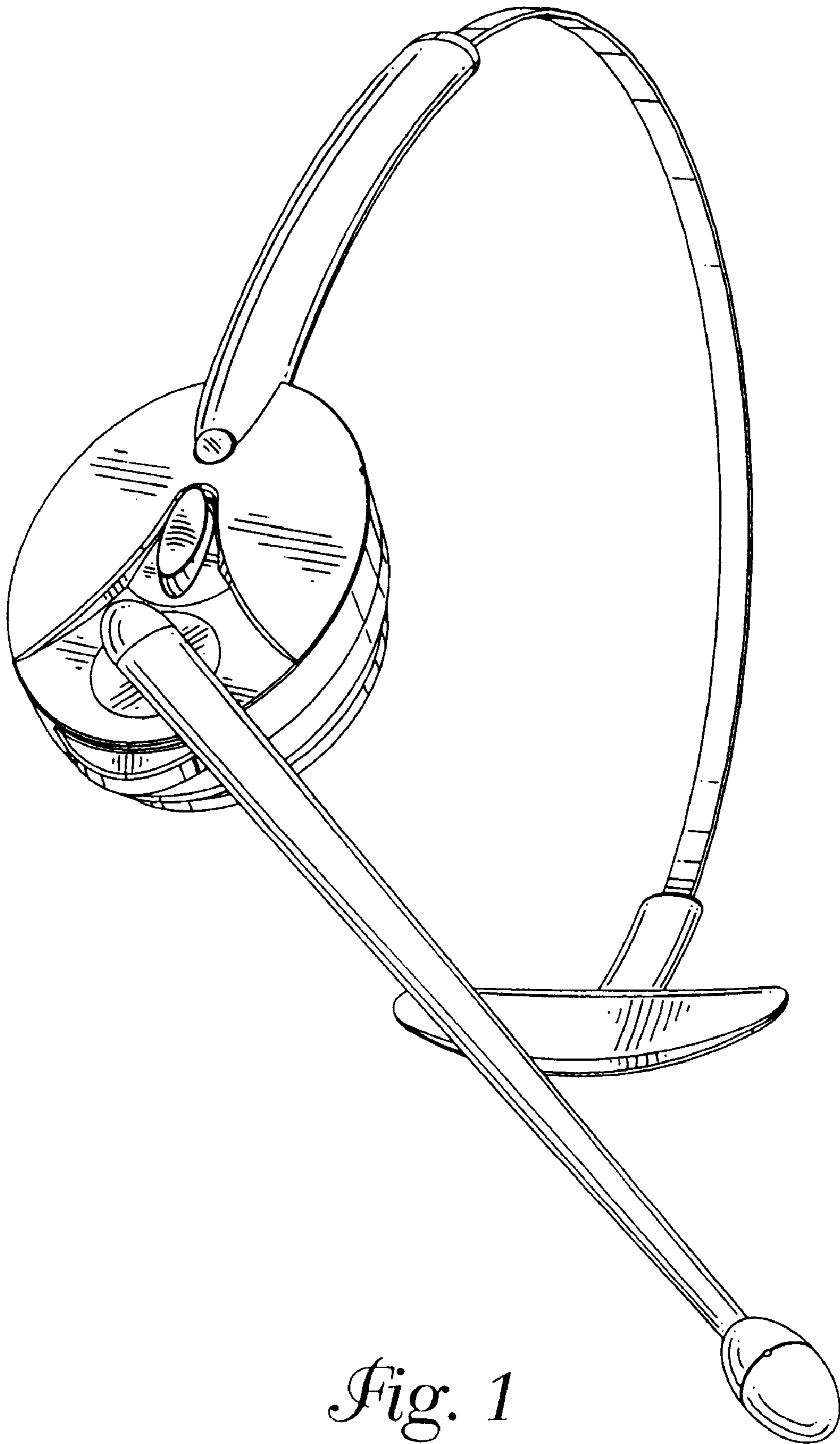


Fig. 1

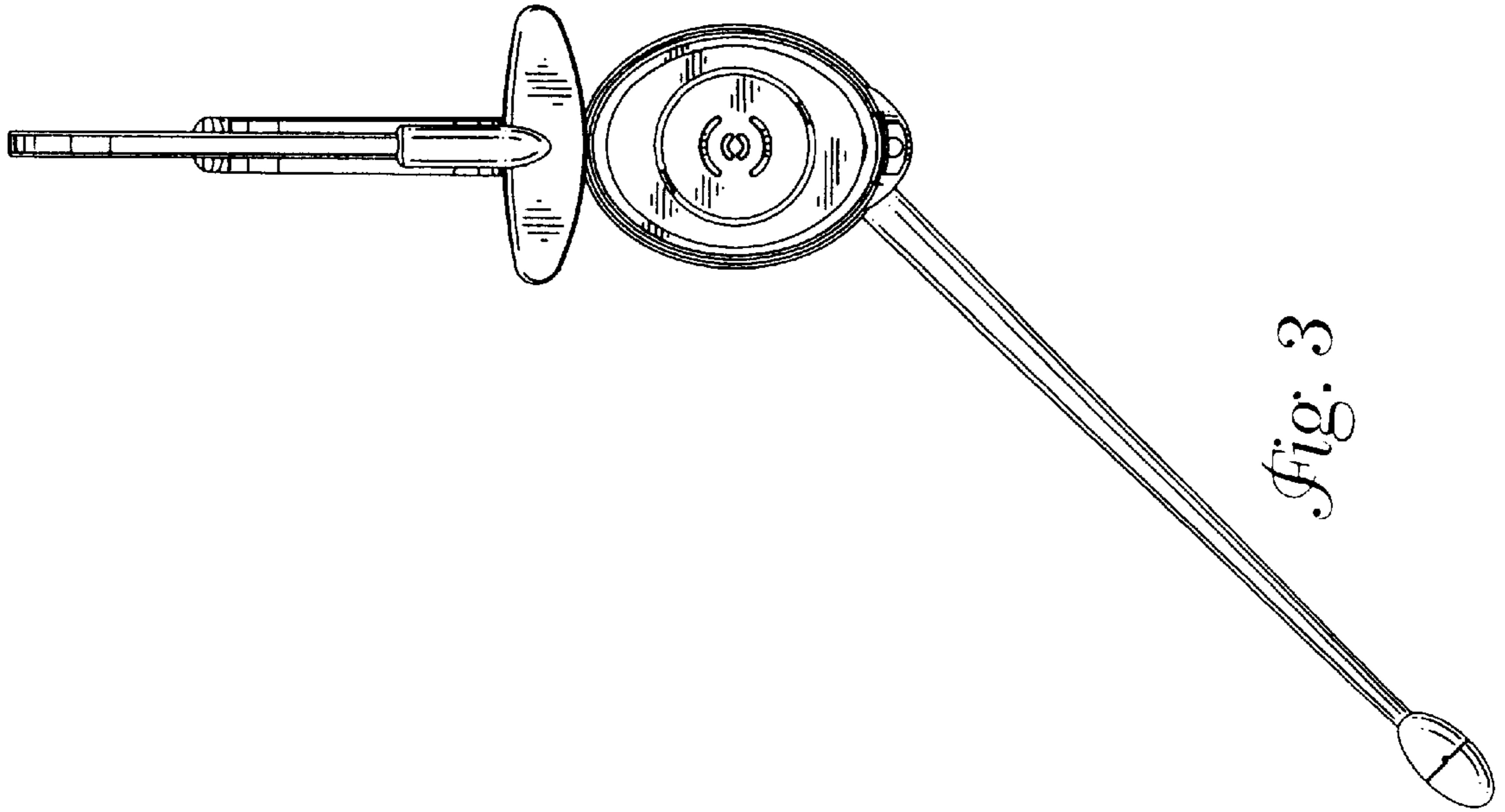


Fig. 3

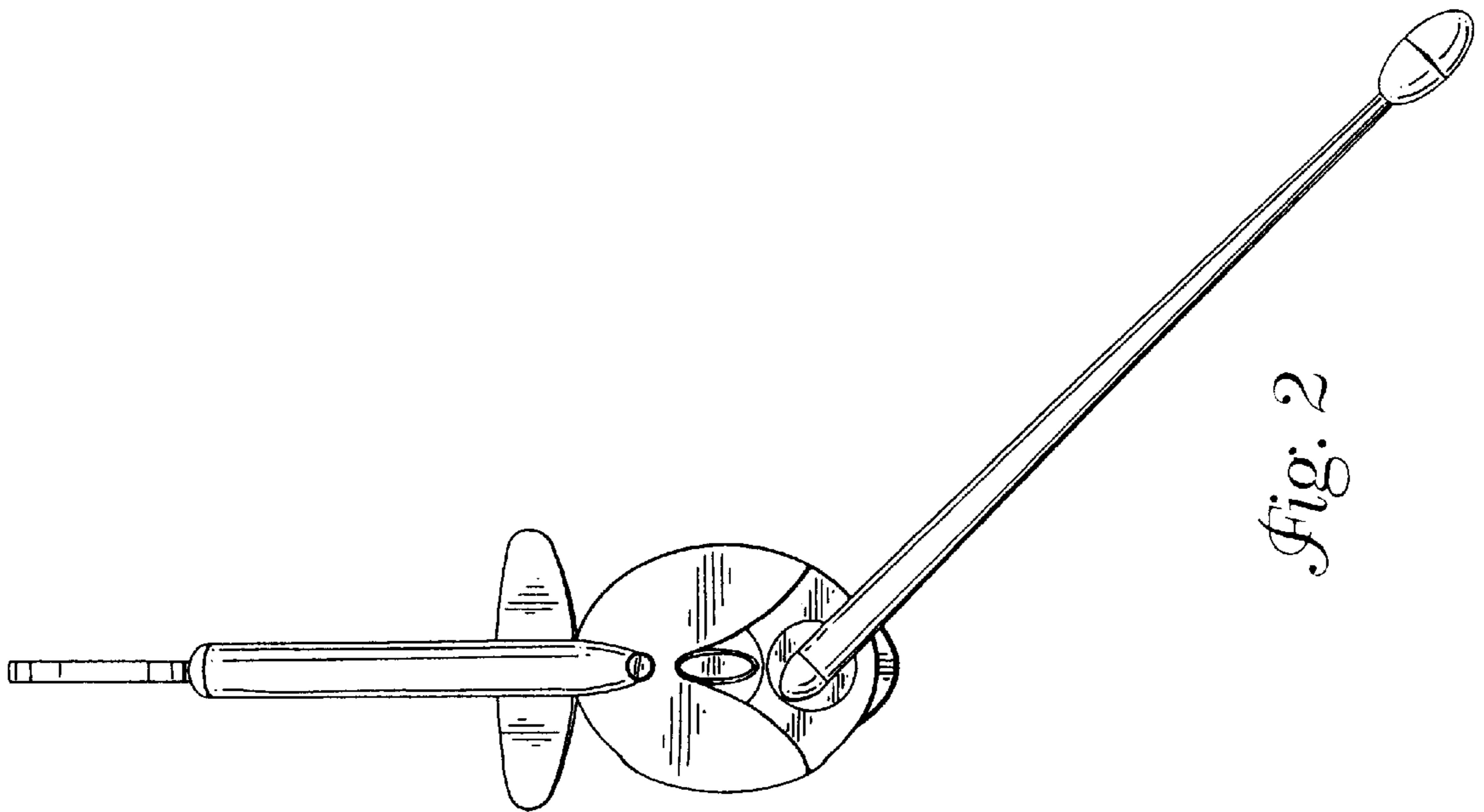


Fig. 2

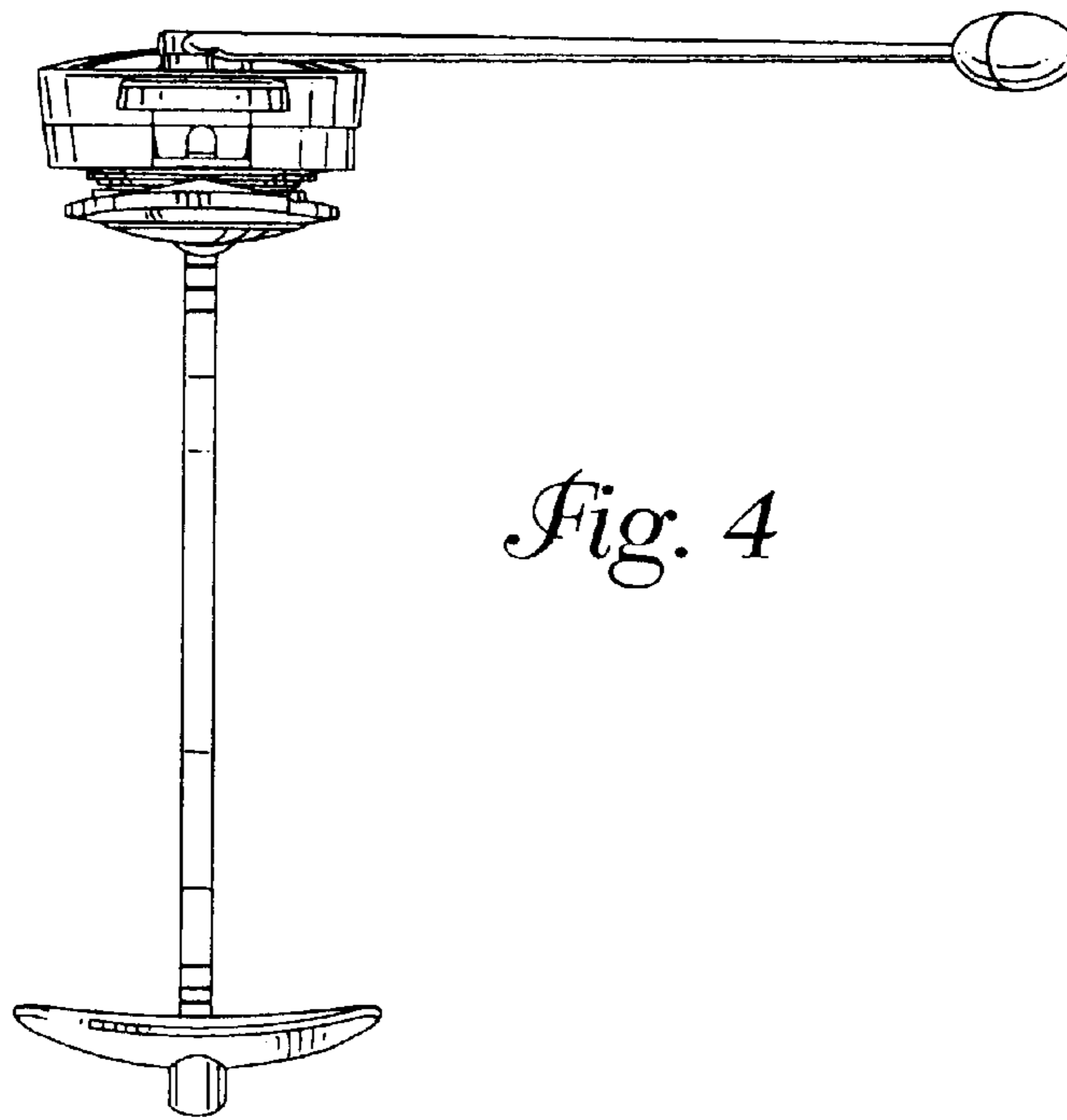


Fig. 4

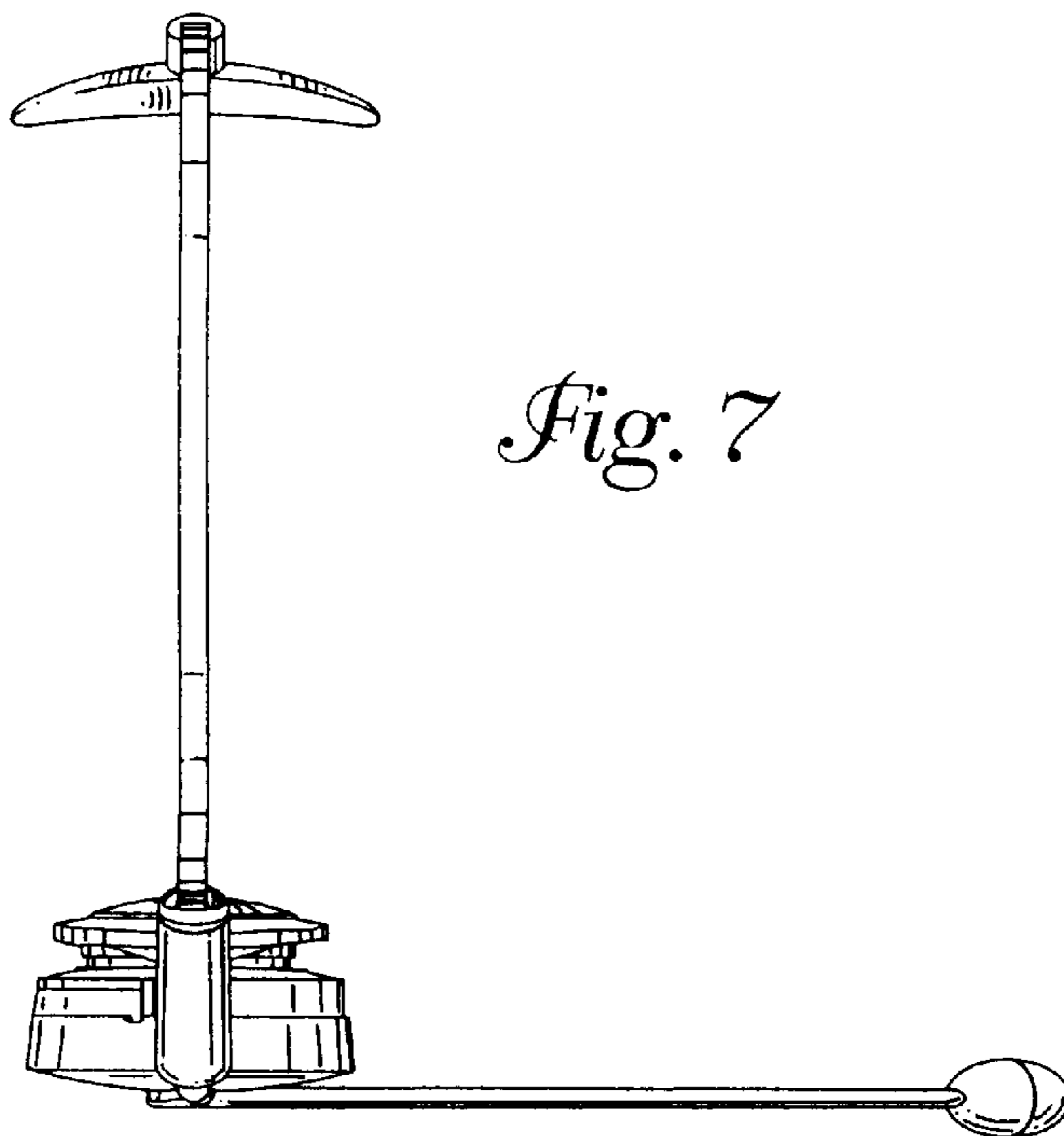


Fig. 7

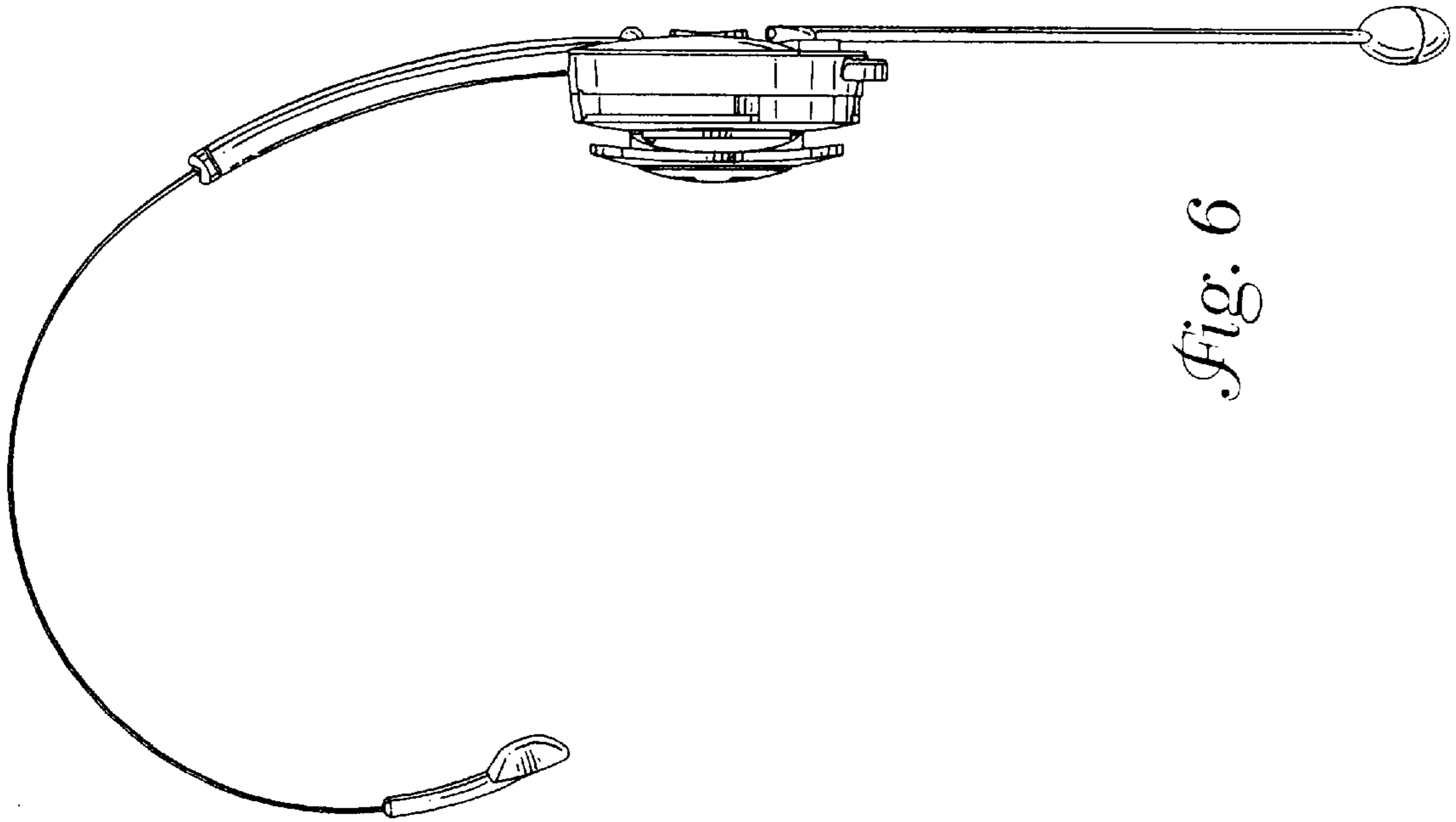


Fig. 6

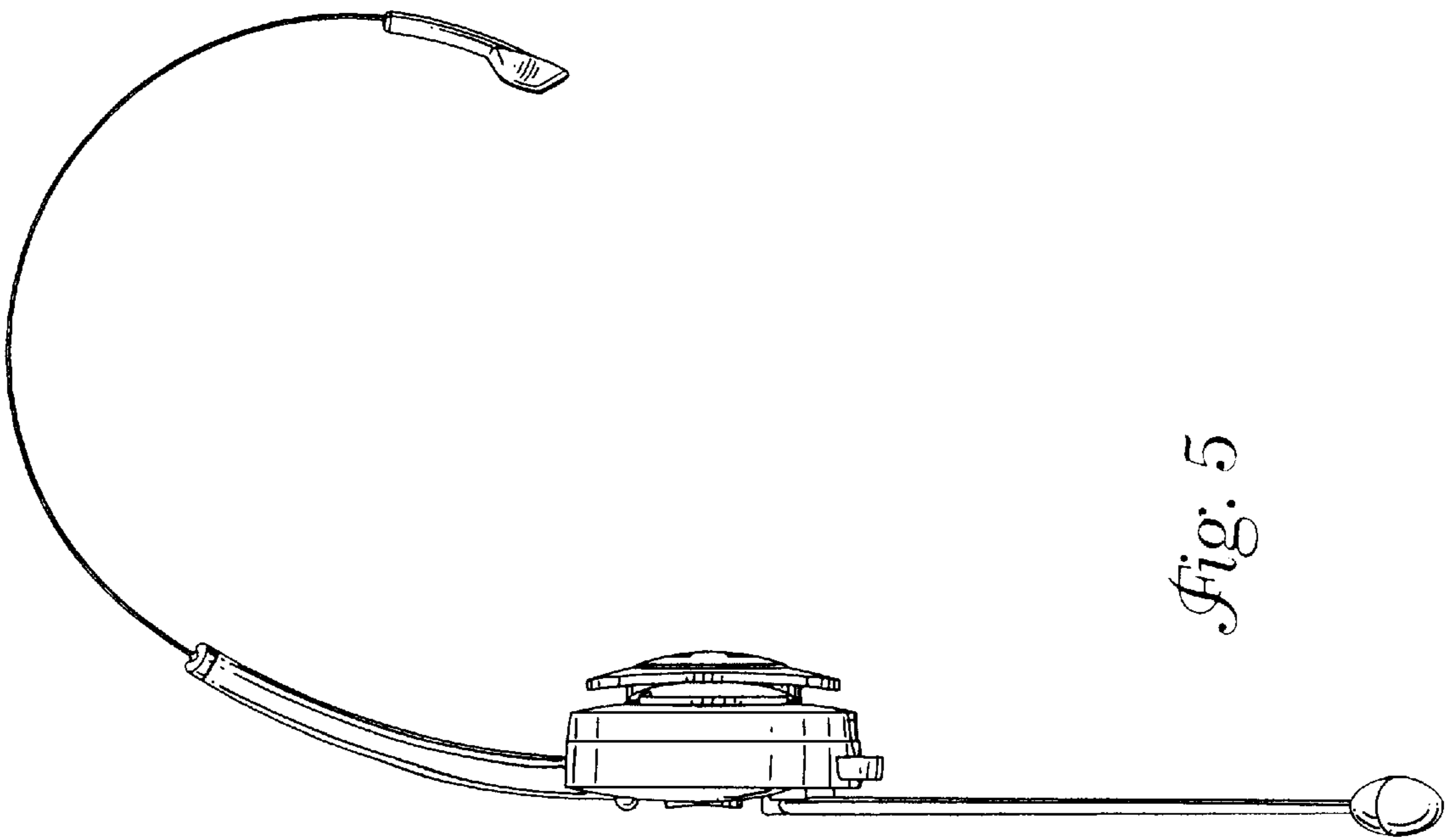


Fig. 5