



US00D436347S

(12) **United States Design Patent**  
**Ito et al.**

(10) **Patent No.:** **US D436,347 S**  
(45) **Date of Patent:** **\*\* Jan. 16, 2001**

(54) **CONTROL DEVICE FOR ELECTRIC APPARATUS**

D. 340,916 \* 11/1993 Iimura ..... D14/100  
D. 398,289 \* 9/1998 Burke ..... D13/162  
5,515,044 \* 5/1996 Glatt ..... 345/161 X

(75) Inventors: **Masafumi Ito; Haruki Takita; Yasunobu Shimizu**, all of Musashino (JP)

**OTHER PUBLICATIONS**

Pioneer's catalog pictures introduced in 1998. The articles of the references are CD players of CDJ-100S and CDJ-700S.

(73) Assignee: **TEAC Corporation**, Tokyo (JP)

\* cited by examiner

(\*\*) Term: **14 Years**

*Primary Examiner*—Brian N. Vinson

(21) Appl. No.: **29/118,761**

(74) *Attorney, Agent, or Firm*—Ladas & Parry

(22) Filed: **Feb. 15, 2000**

(57) **CLAIM**

(30) **Foreign Application Priority Data**

The ornamental design for a control device for electric apparatus, as shown and described.

Oct. 22, 1999 (JP) ..... 11-29105

**DESCRIPTION**

(51) **LOC (7) Cl.** ..... **13-03**

FIG. 1 is a perspective view of a control device for electric apparatus showing our new design;

(52) **U.S. Cl.** ..... **D13/164**

FIG. 2 is a front view thereof;

(58) **Field of Search** ..... D13/158, 162, D13/163, 164, 170, 171, 177; 361/679, 680; 345/160, 161

FIG. 3 is a rear view thereof;

FIG. 4 is a top view thereof;

FIG. 5 is a bottom view thereof;

FIG. 6 is a left side view thereof; and,

FIG. 7 is a right side view thereof.

(56) **References Cited**

**U.S. PATENT DOCUMENTS**

D. 323,647 \* 2/1992 Schott et al. .... D13/162

**1 Claim, 4 Drawing Sheets**

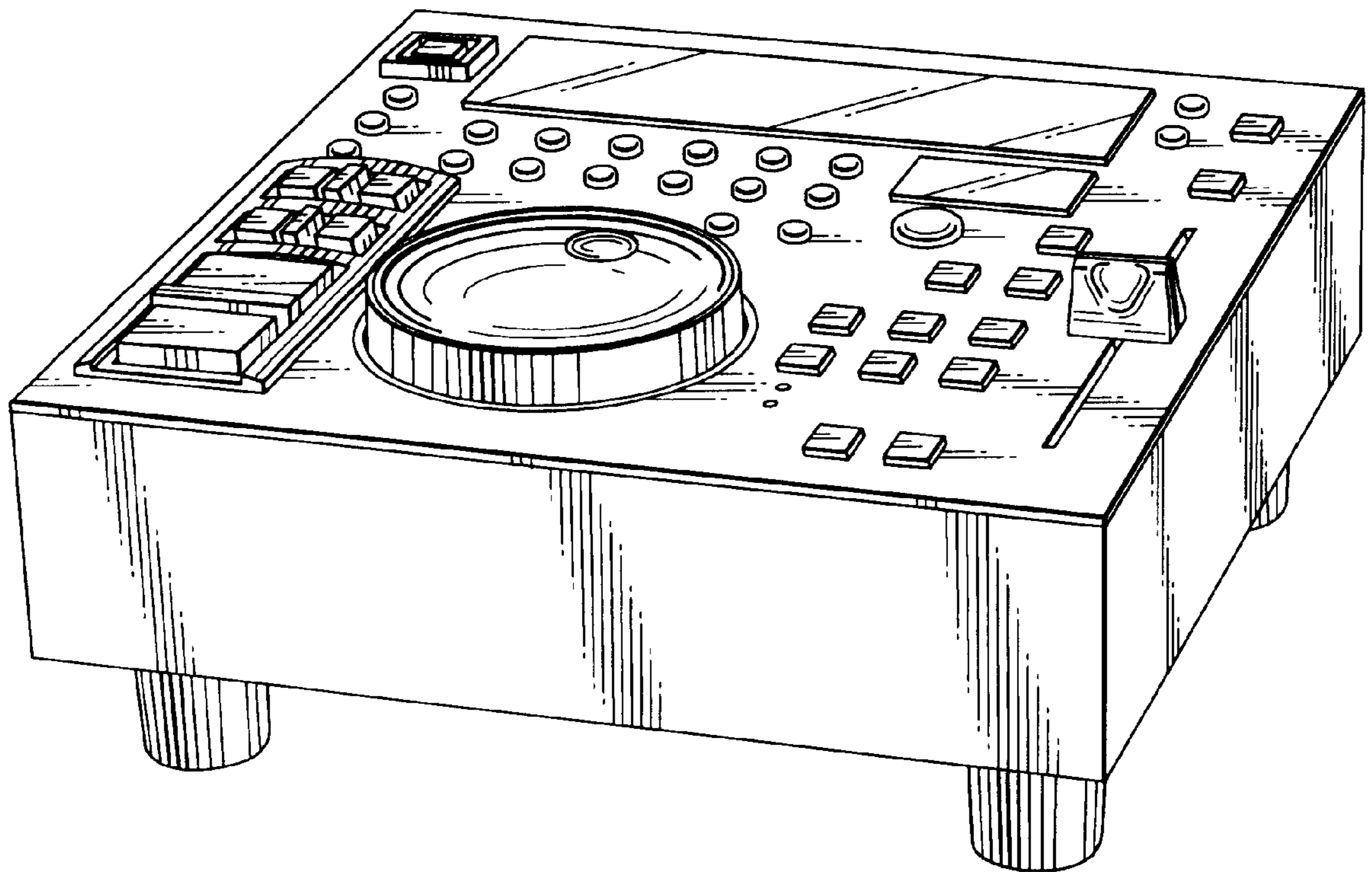


FIG. 1

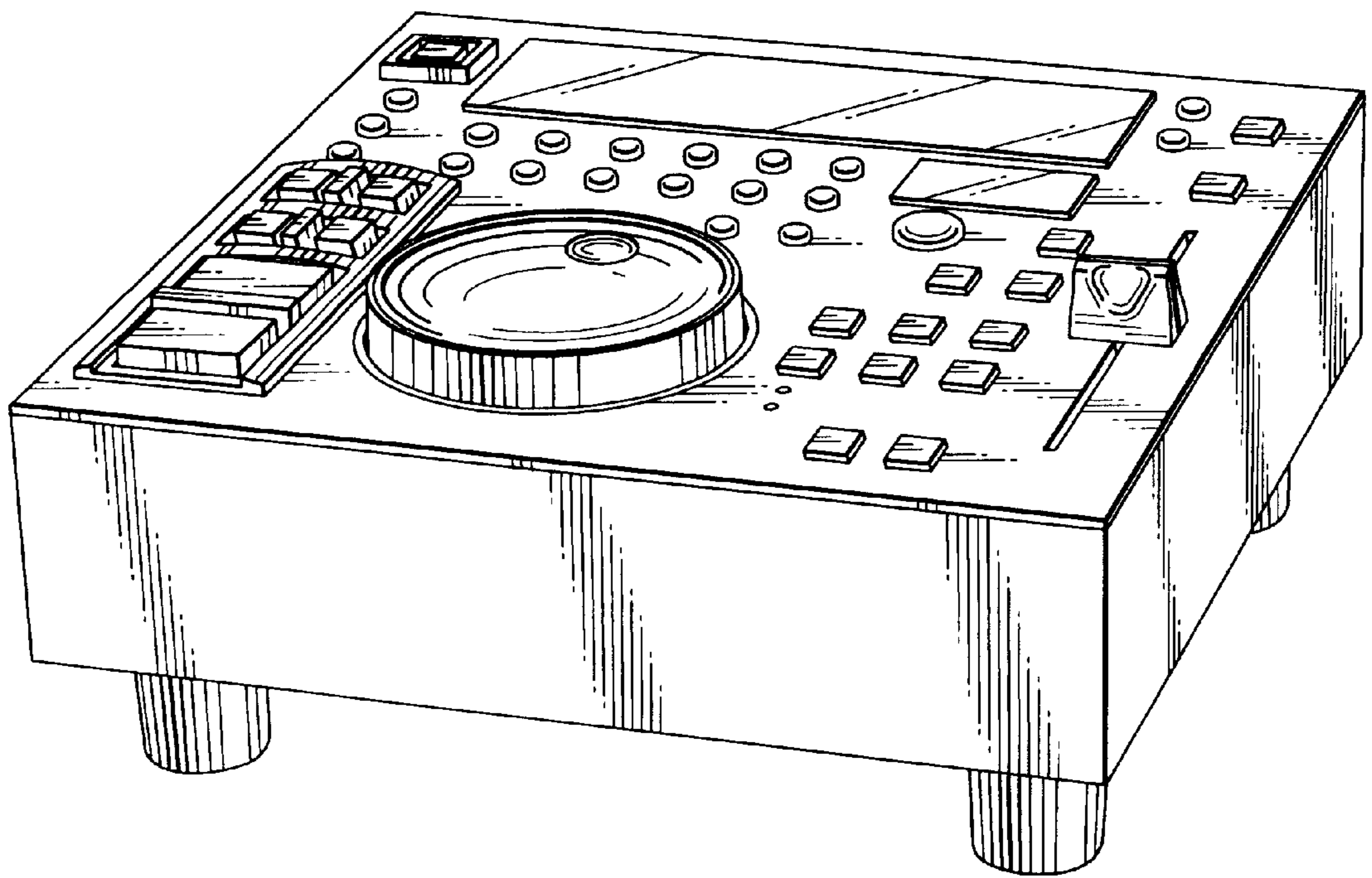


FIG.2

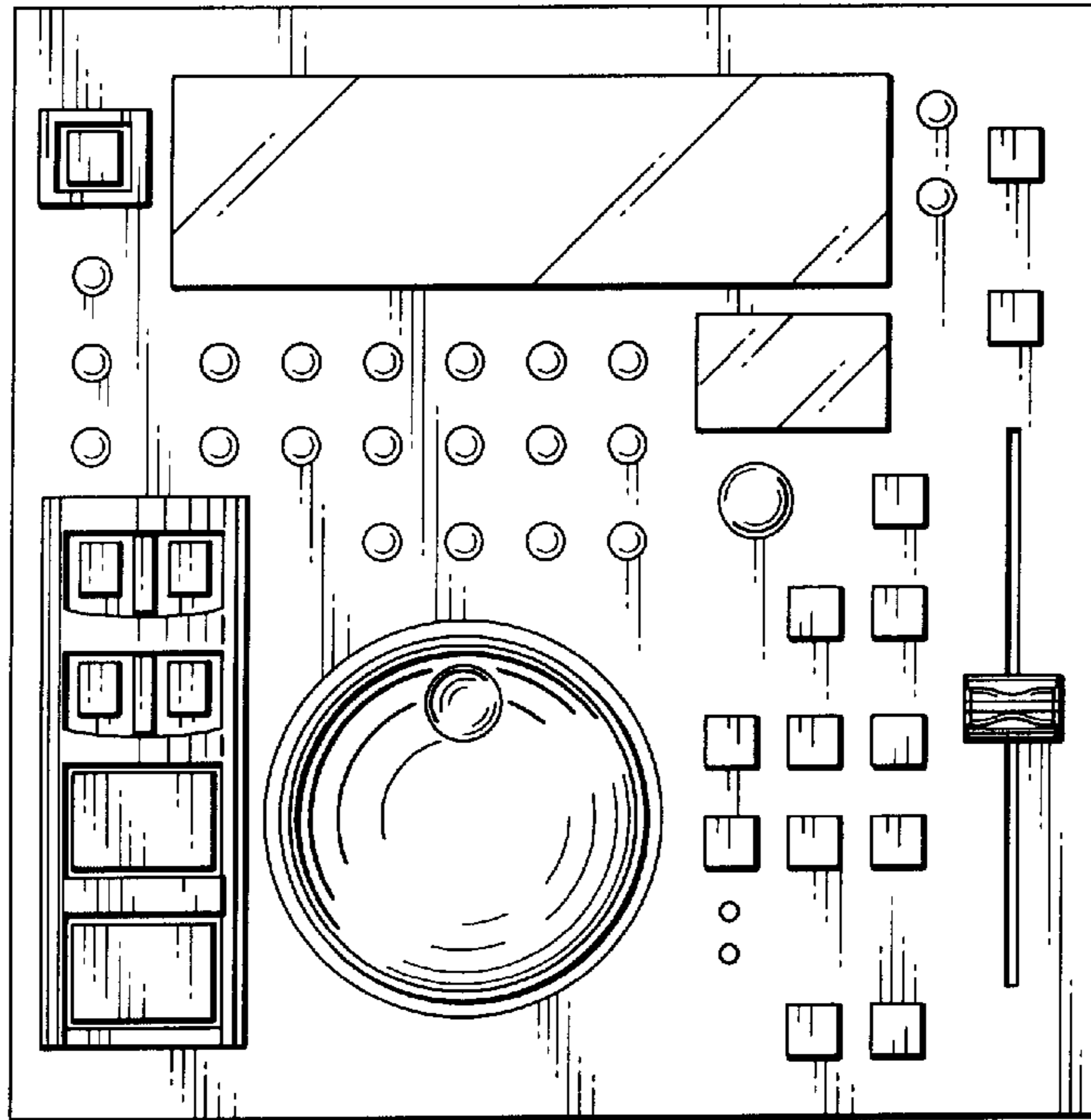


FIG.3

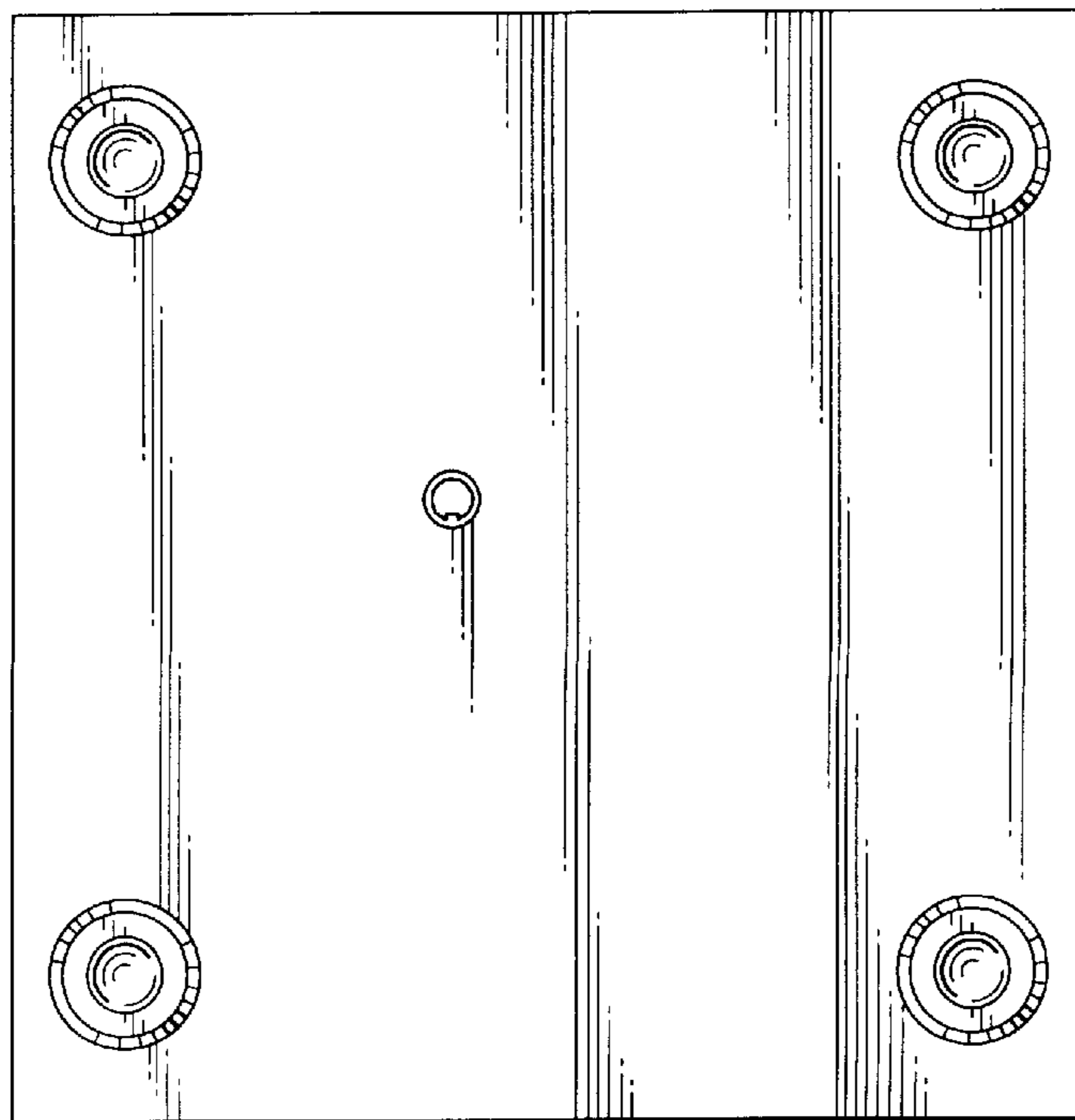


FIG.4

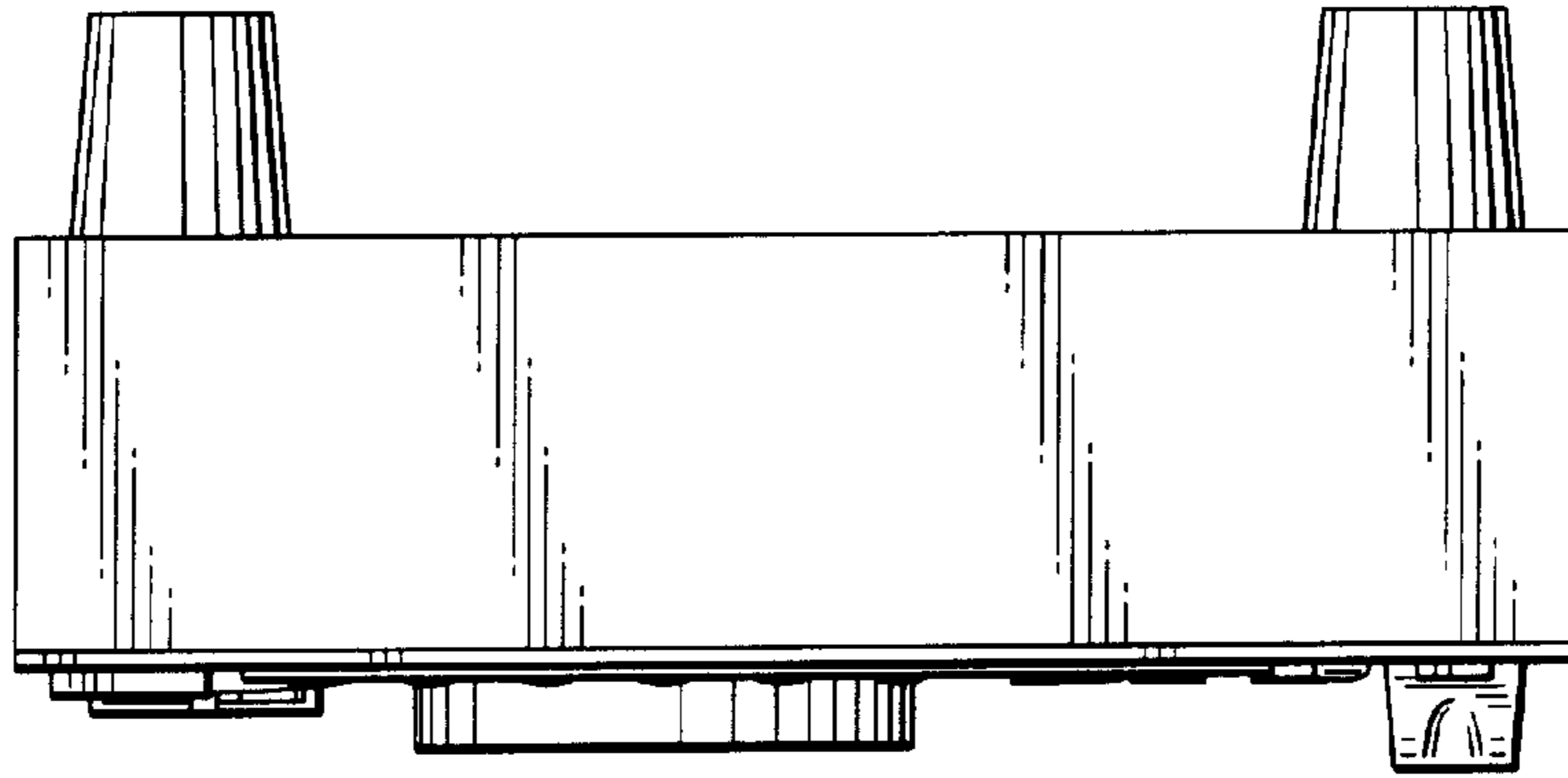


FIG.5

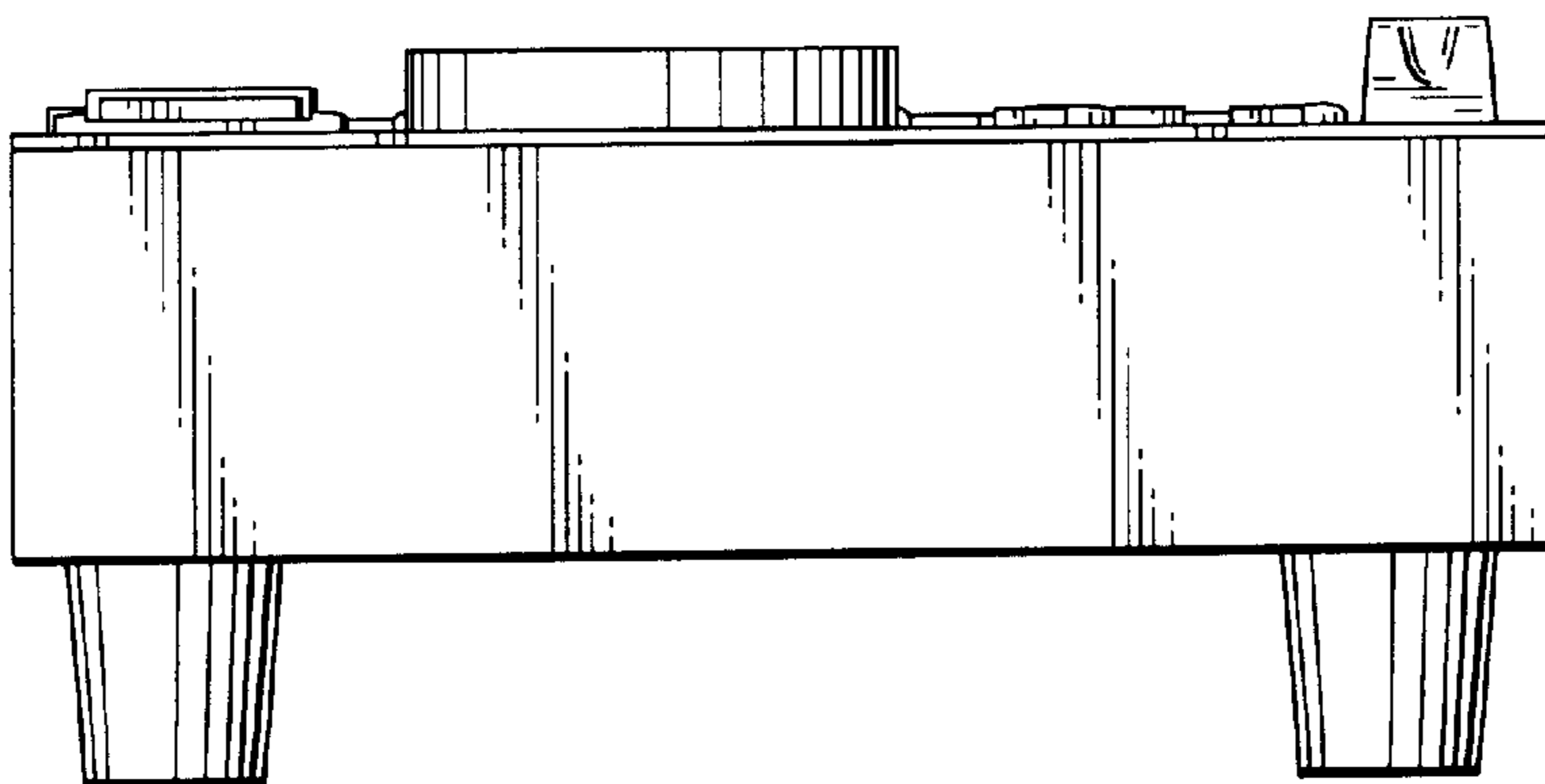


FIG. 6

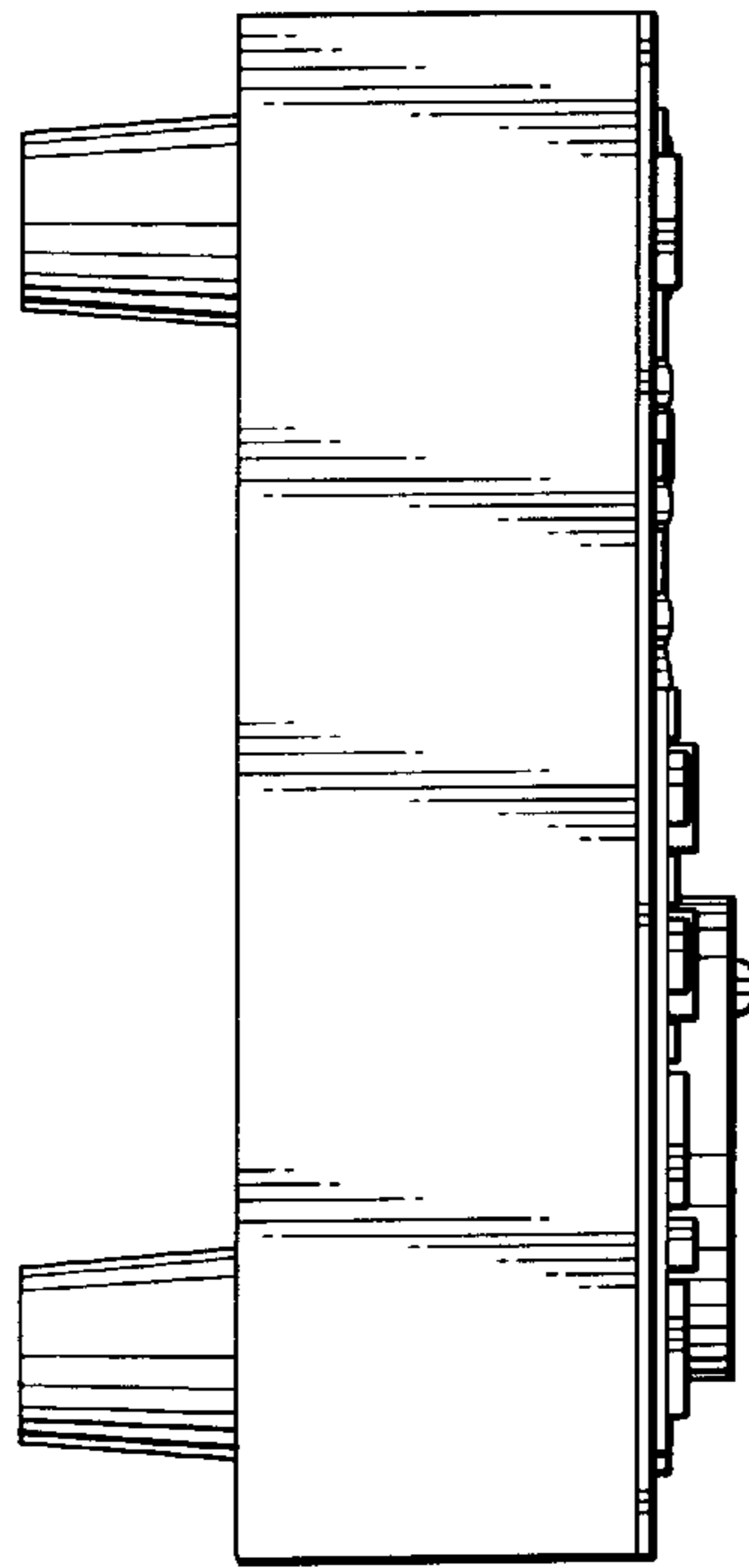


FIG. 7

