



US00D436345S

(12) **United States Design Patent**
Lentine

(10) **Patent No.:** **US D436,345 S**

(45) **Date of Patent:** **** Jan. 16, 2001**

(54) **MULTIPLE ELECTRICAL OUTLET**
(75) Inventor: **Lou Lentine**, Orlando, FL (US)
(73) Assignee: **Lentek International Inc.**, Orlando, FL (US)

D. 216,262 * 12/1969 Robinson D13/137.2
D. 324,029 * 2/1992 Luu D13/137.2
D. 367,038 * 2/1996 Fladung et al. D13/137.2
2,702,893 2/1955 Paulson .
3,997,225 12/1976 Horwinski .
5,232,381 * 8/1993 Yu 439/652

(**) Term: **14 Years**

* cited by examiner

(21) Appl. No.: **29/116,569**
(22) Filed: **Jan. 5, 2000**

Primary Examiner—Susan J. Lucas
Assistant Examiner—Jennifer Rivard
(74) *Attorney, Agent, or Firm*—Allen, Dyer, Doppelt, Milbrath & Gilchrist, P.A

(51) **LOC (7) Cl.** **13-53**
(52) **U.S. Cl.** **D13/137.2**
(58) **Field of Search** D13/137.1–137.4,
D13/138.1–138.2; 439/107, 650–652, 483,
484

(57) **CLAIM**

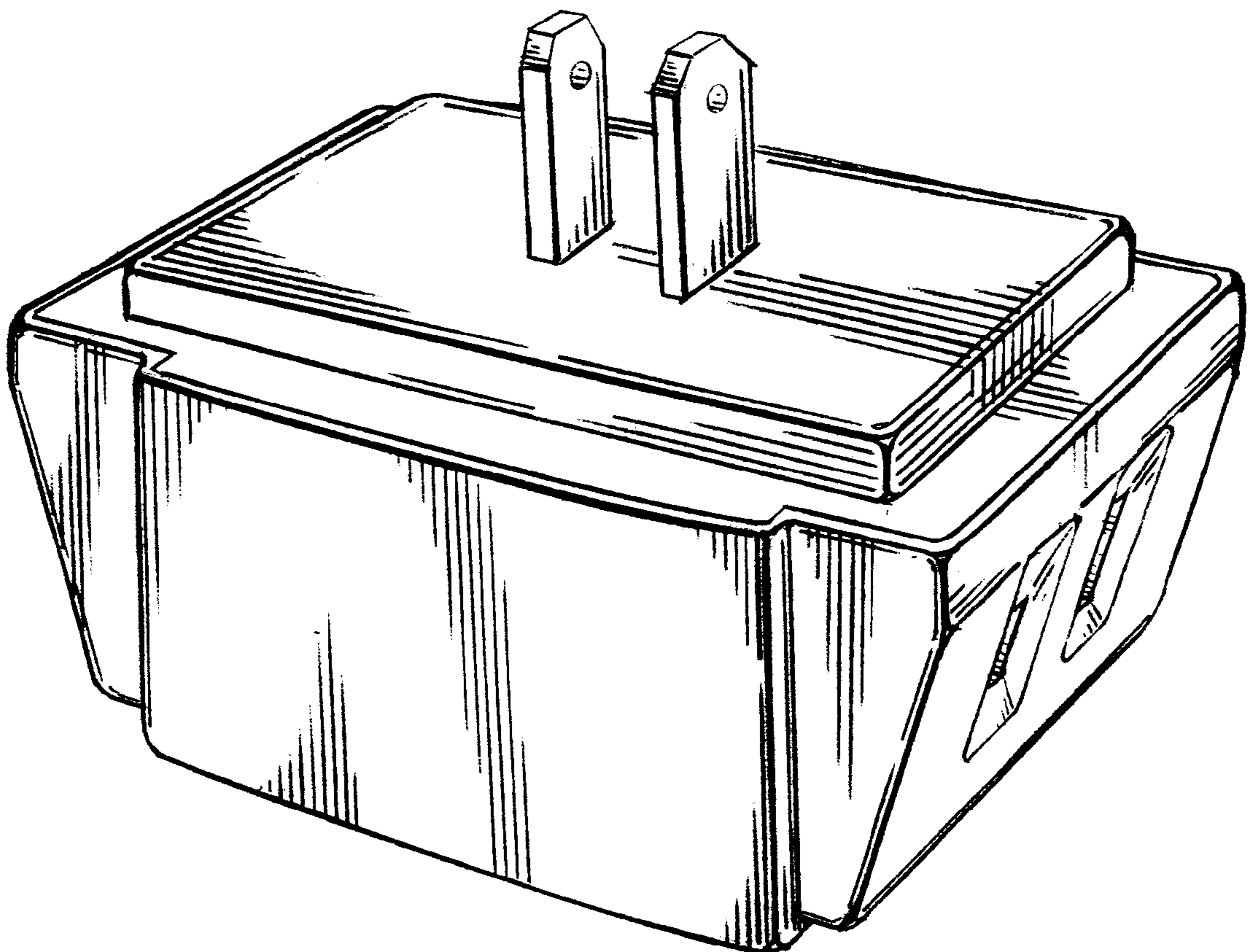
The ornamental design for multiple electrical outlet, as shown and described.

(56) **References Cited**
U.S. PATENT DOCUMENTS
D. 121,820 8/1940 Perl .
D. 138,086 6/1944 Ludwig .
D. 141,397 * 5/1945 Huppert D13/139.7
D. 187,269 * 2/1960 Carlson D13/137.1
D. 195,955 * 8/1963 Carlson D13/137.1

DESCRIPTION

FIG. 1 is a perspective view;
FIG. 2 is a bottom plan view;
FIG. 3 is a top plan view;
FIG. 4 side elevation view;
FIG. 5 is a front elevation view; and,
FIG. 6 is a side elevation view.

1 Claim, 2 Drawing Sheets



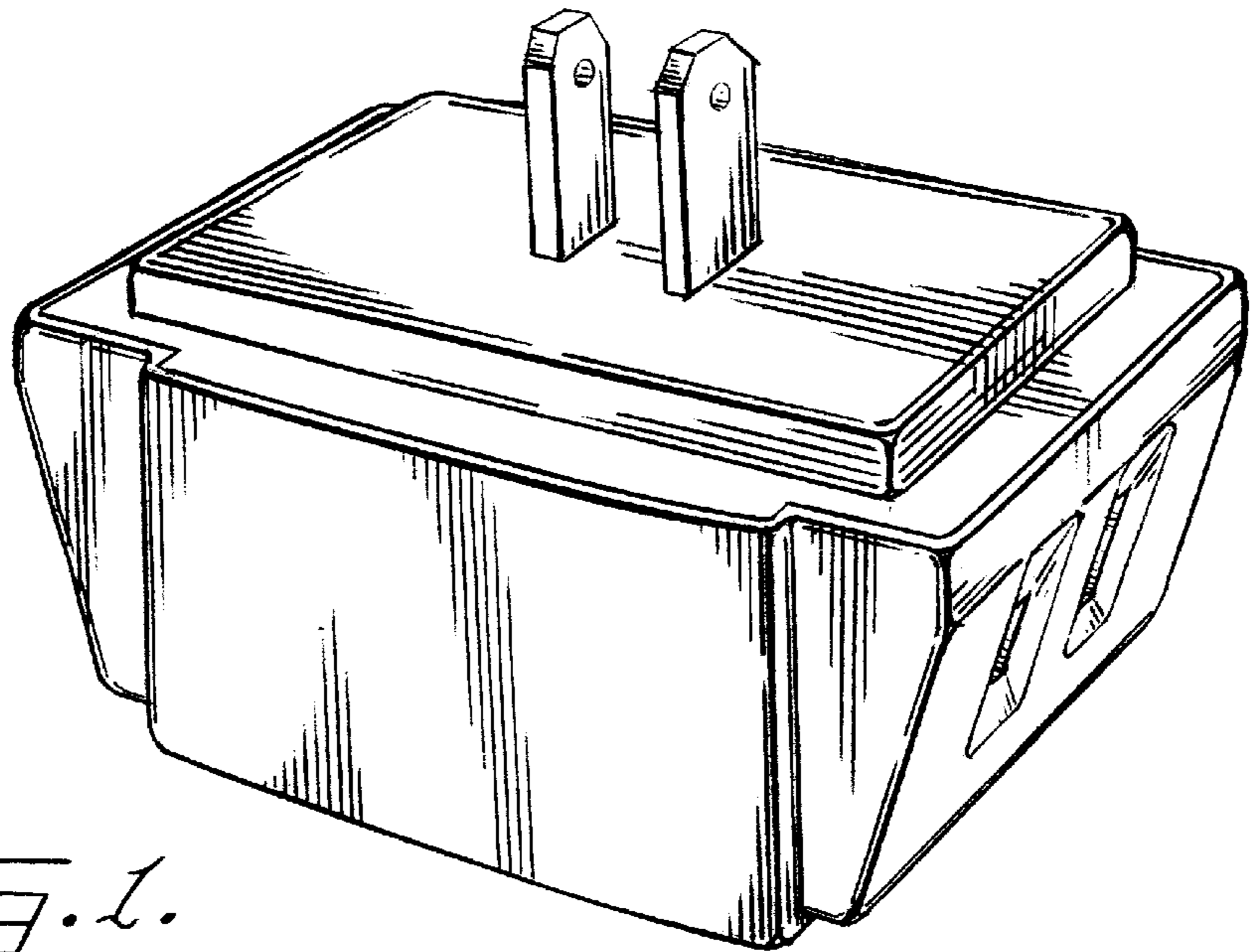


FIG. 1.

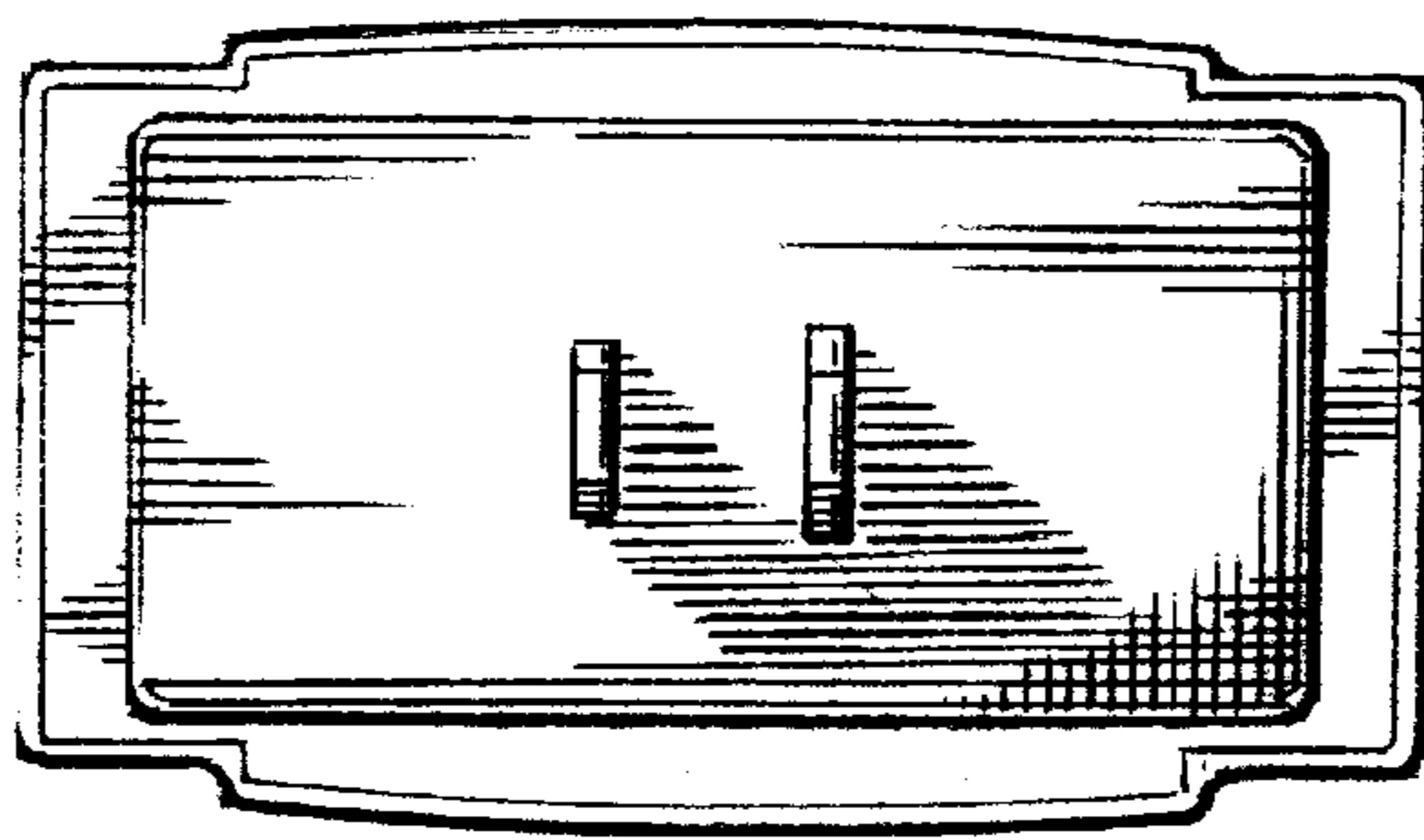


FIG. 2.

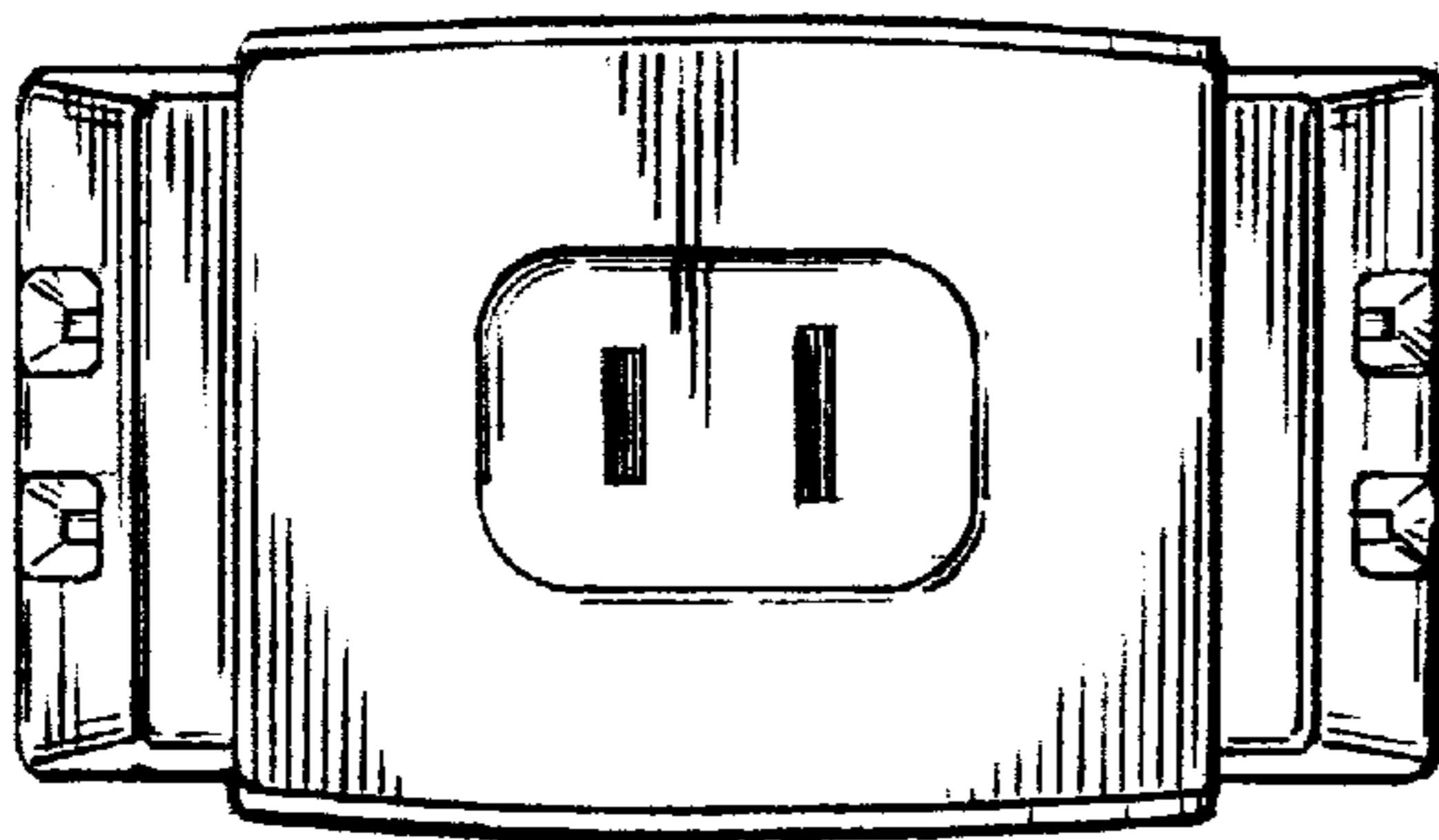


FIG. 3.

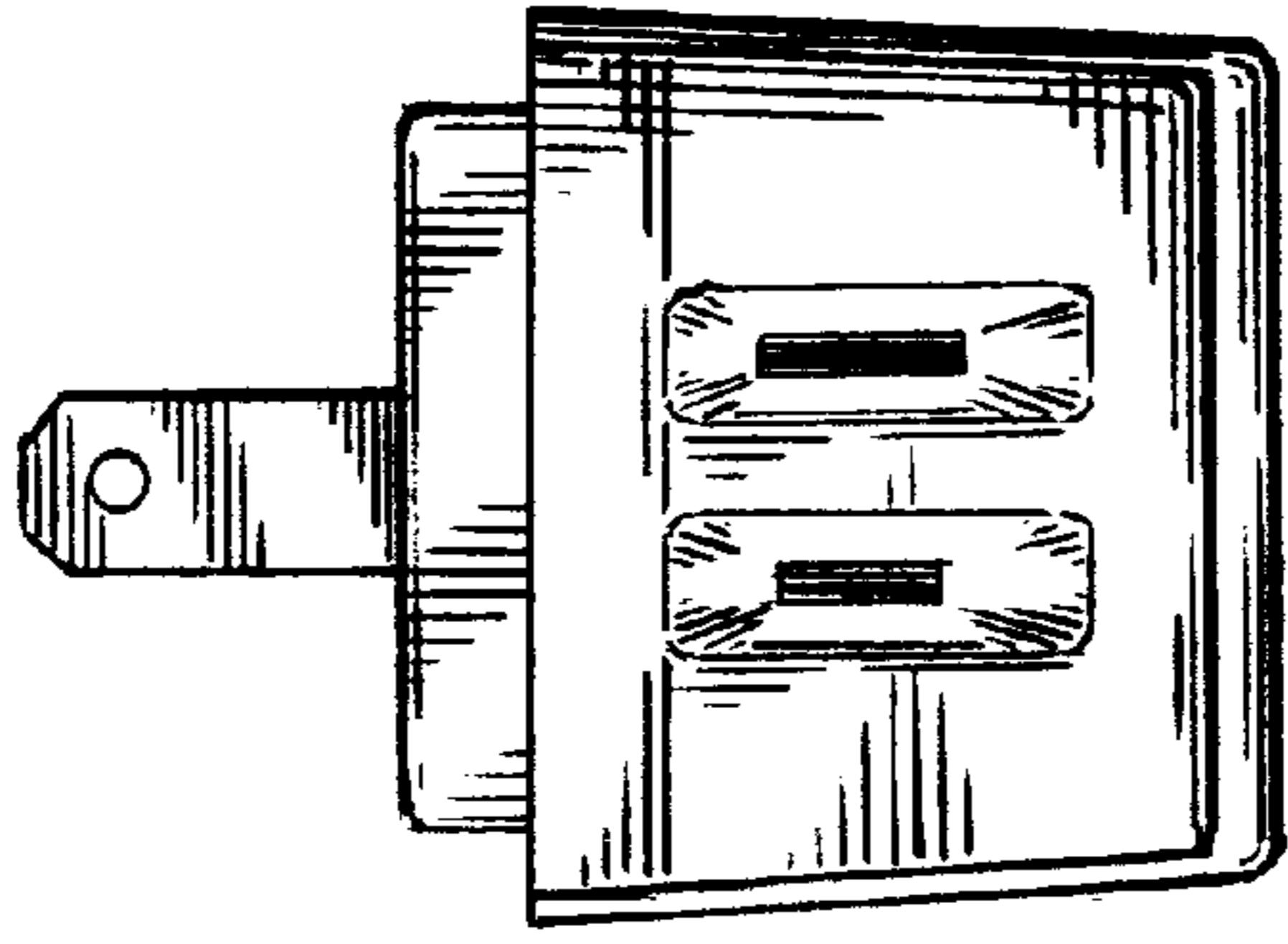


FIG. 6.

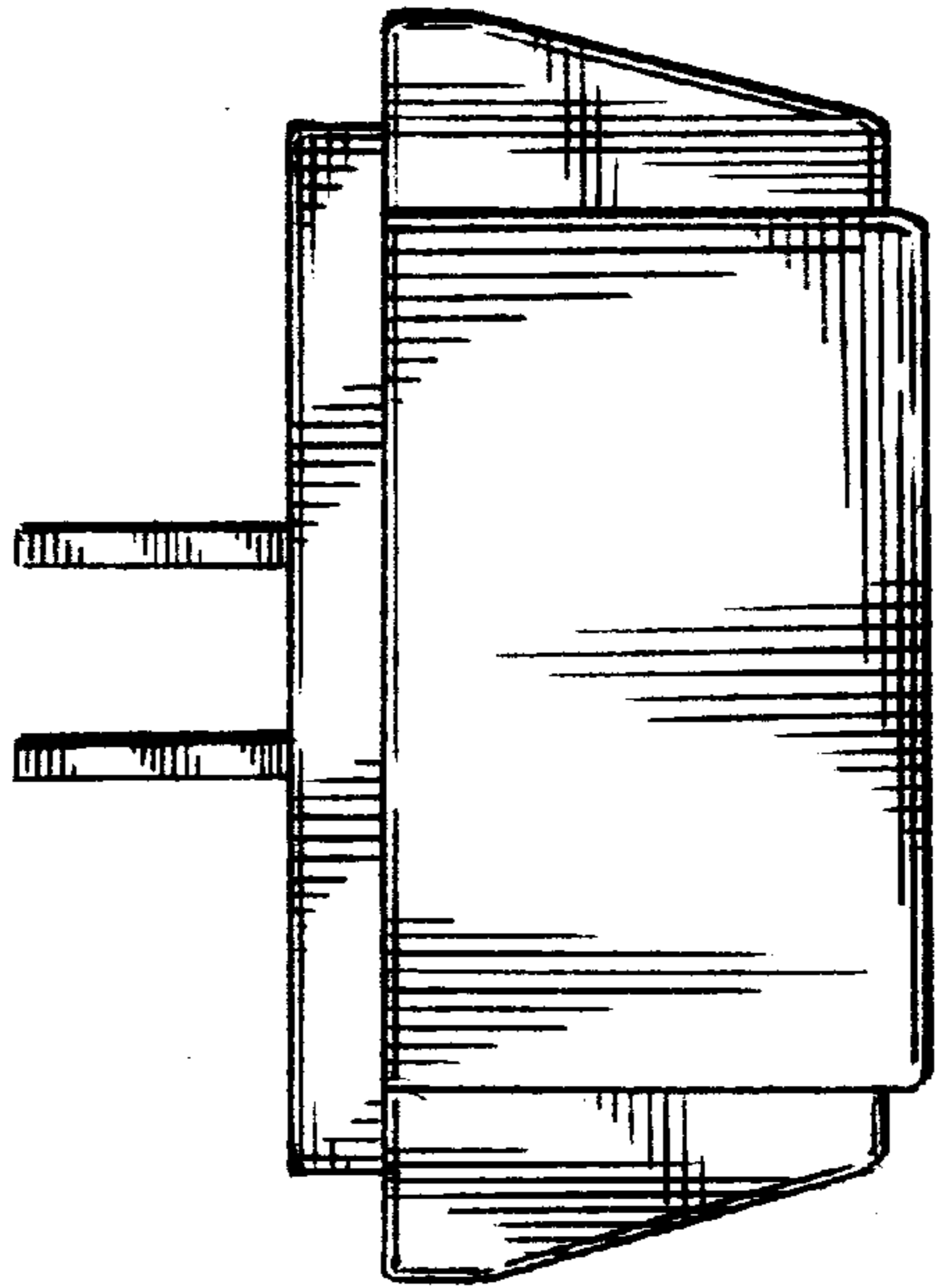


FIG. 5.

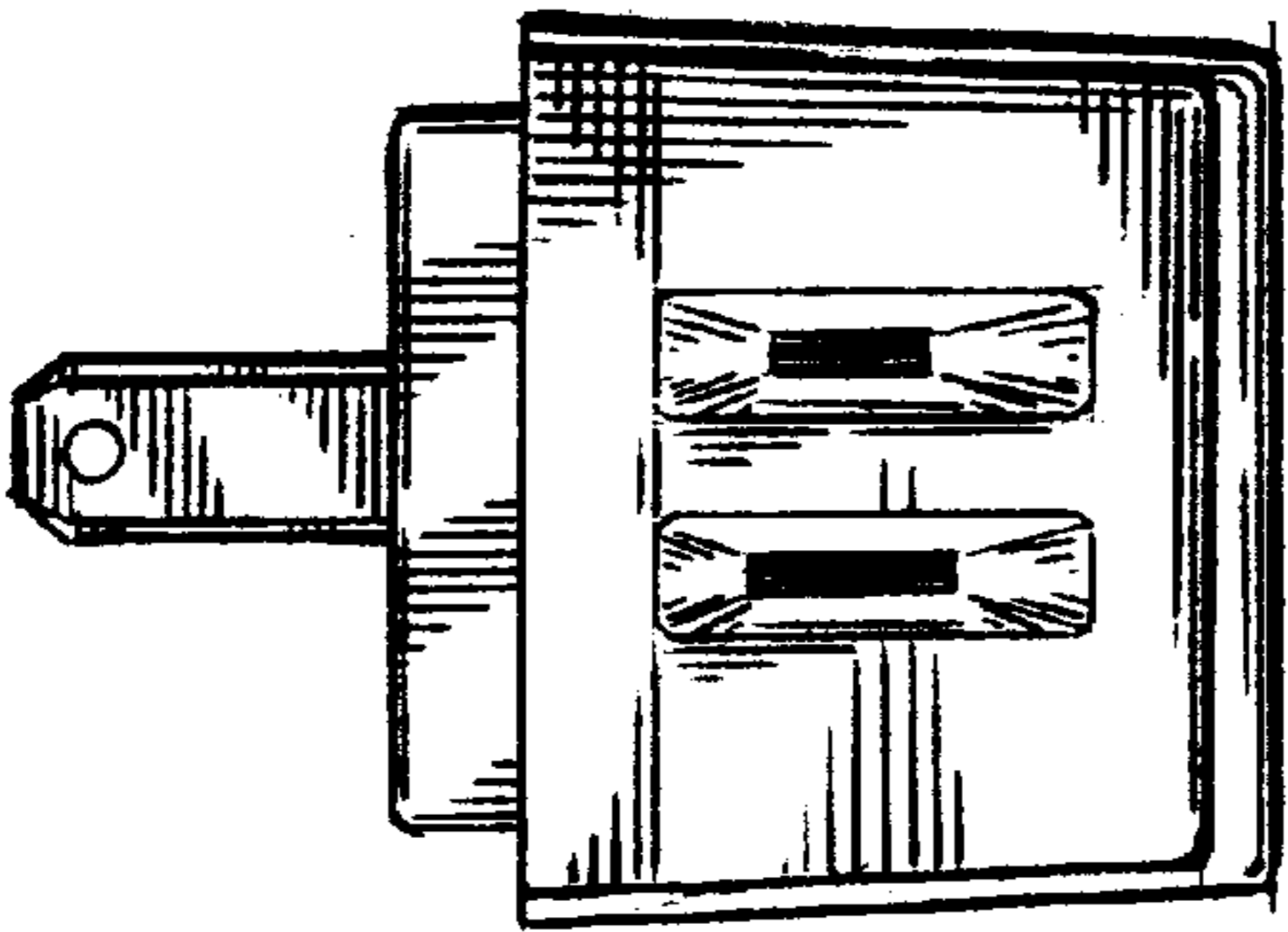


FIG. 4.