



US00D436344S

(12) **United States Design Patent**
Prais

(10) **Patent No.:** **US D436,344 S**

(45) **Date of Patent:** **** Jan. 16, 2001**

(54) **REWINDER MOTOR HOUSING**

6,092,548 * 7/2000 DeVito 137/351

(75) Inventor: **Eugene R. Prais**, West Milford, NJ
(US)

* cited by examiner

Primary Examiner—Joel Sincavage

(73) Assignee: **Triangle Manufacturing Co., Inc.**,
Upper Saddle River, NJ (US)

(74) *Attorney, Agent, or Firm*—Cummings & Lockwood

(**) Term: **14 Years**

(57) **CLAIM**

The ornamental design for a rewinder motor housing, as shown and described.

(21) Appl. No.: **29/116,687**

DESCRIPTION

(22) Filed: **Jan. 6, 2000**

(51) **LOC (7) Cl.** **13-01**

(52) **U.S. Cl.** **D13/112**

(58) **Field of Search** D13/112; D8/358;
242/390, 390.8; 191/12.4

FIG. 1 is a perspective view of the apparatus of the subject invention;

FIG. 2 is a front elevation view of the apparatus of the subject invention;

FIG. 3 is a top plan view of the apparatus of the subject invention;

FIG. 4 is a right side elevation view of the apparatus of the subject invention; and,

FIG. 5 is a rear elevation view of the apparatus of the subject invention.

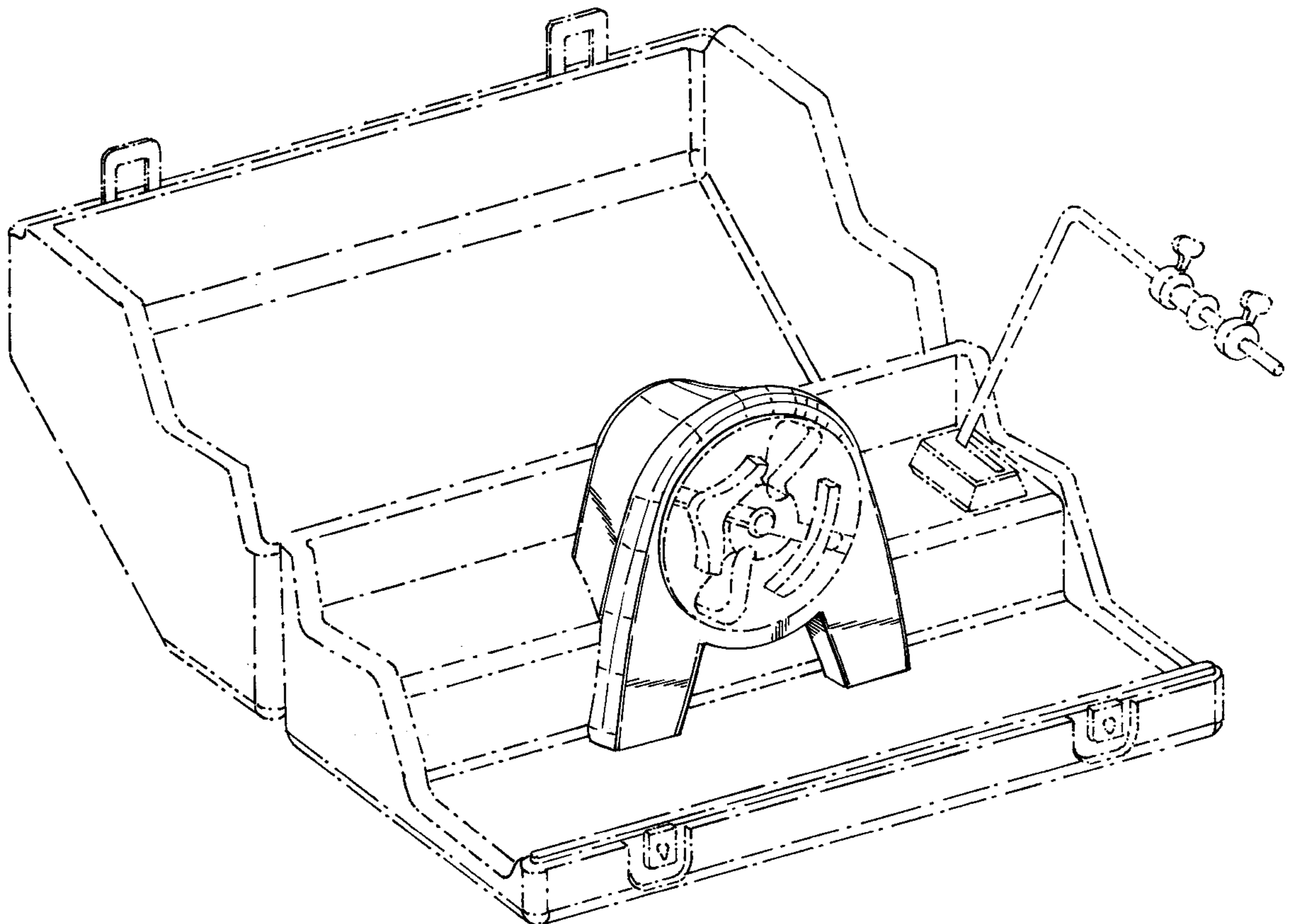
The broken lines appearing in the figures are provided for illustrative purposes only and do not form any part of the claimed rewinder motor housing design.

(56) **References Cited**

U.S. PATENT DOCUMENTS

2,489,319	*	11/1949	Nave, Jr. et al.	242/390.8
3,098,463	*	7/1963	Brown	343/390.8
4,083,512	*	4/1978	Rumpf	242/383.4
4,721,833	*	1/1988	Dubay	191/12.4
4,903,911	*	2/1990	Sepka	D8/358 X
5,495,995	*	3/1996	Dominique et al.	242/390.8

1 Claim, 3 Drawing Sheets



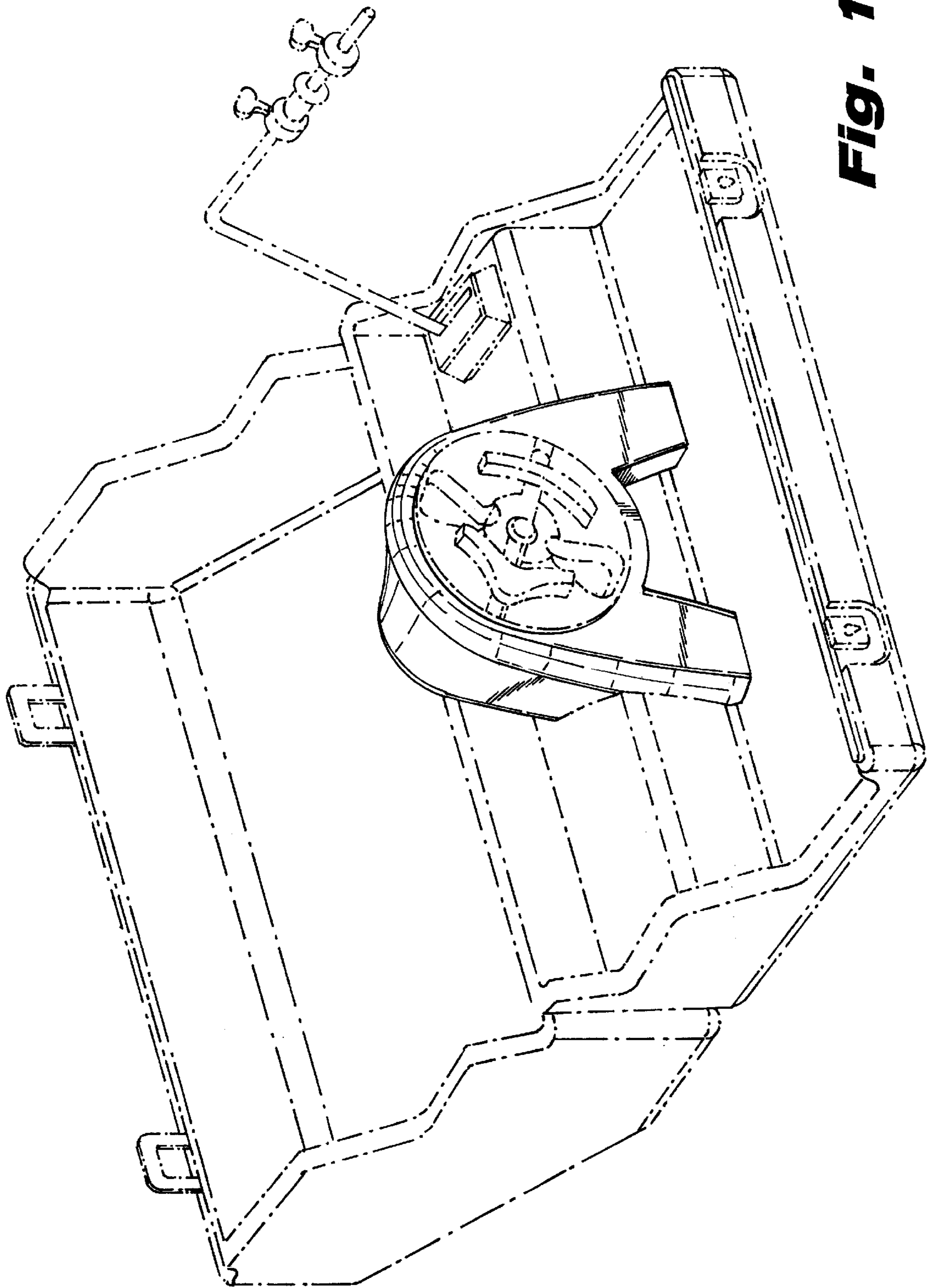


Fig. 1

Fig. 2

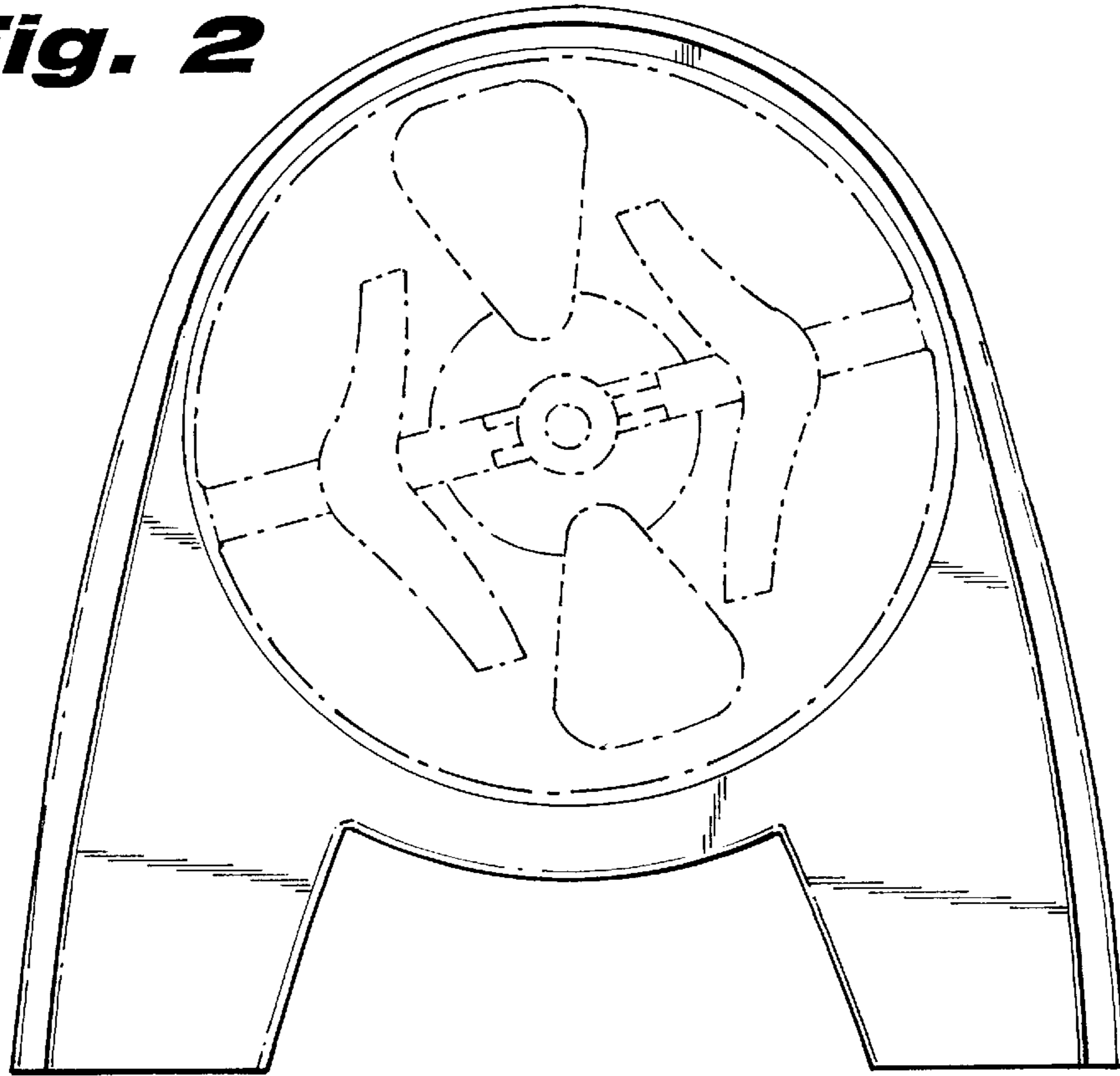


Fig. 3

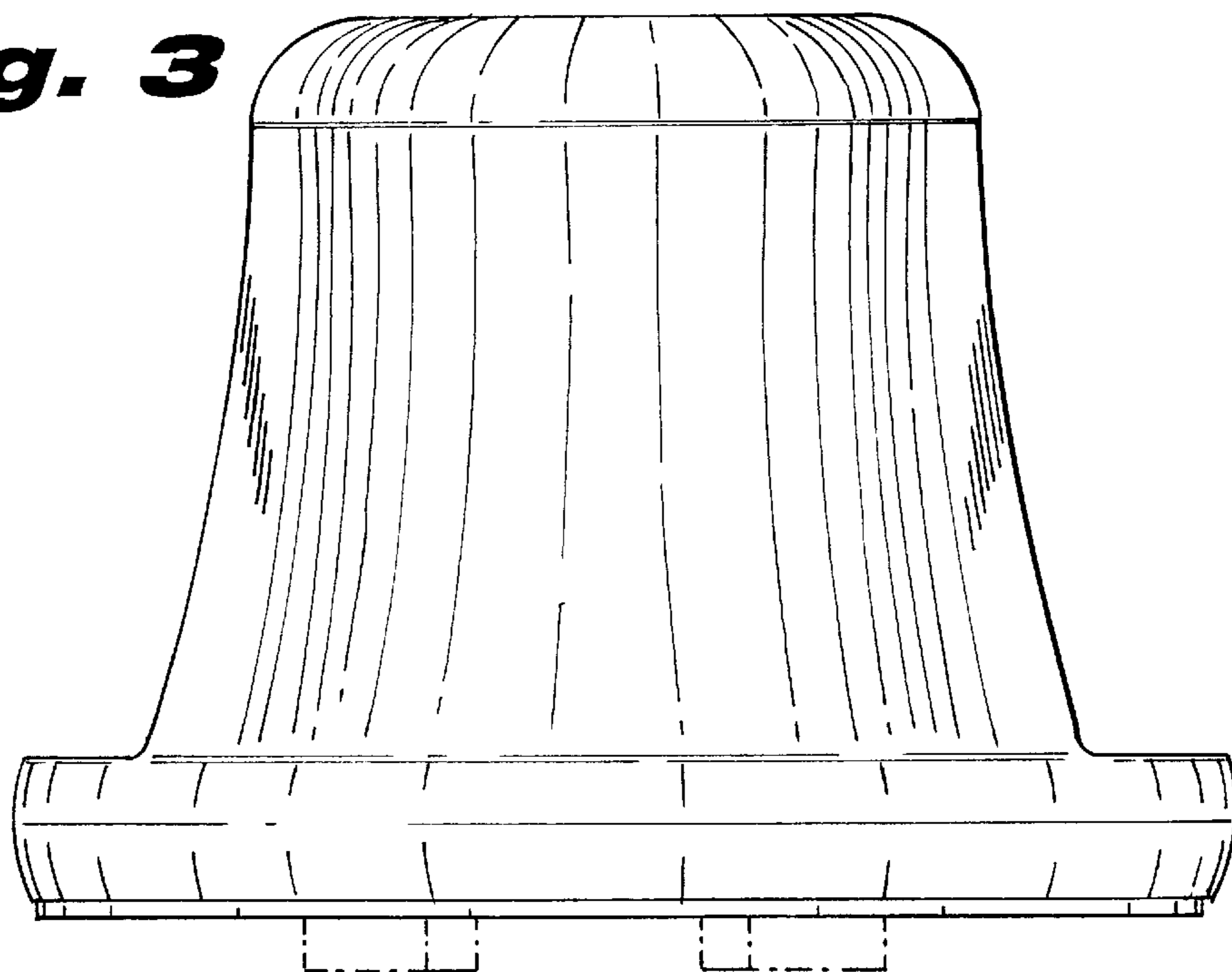


Fig. 4

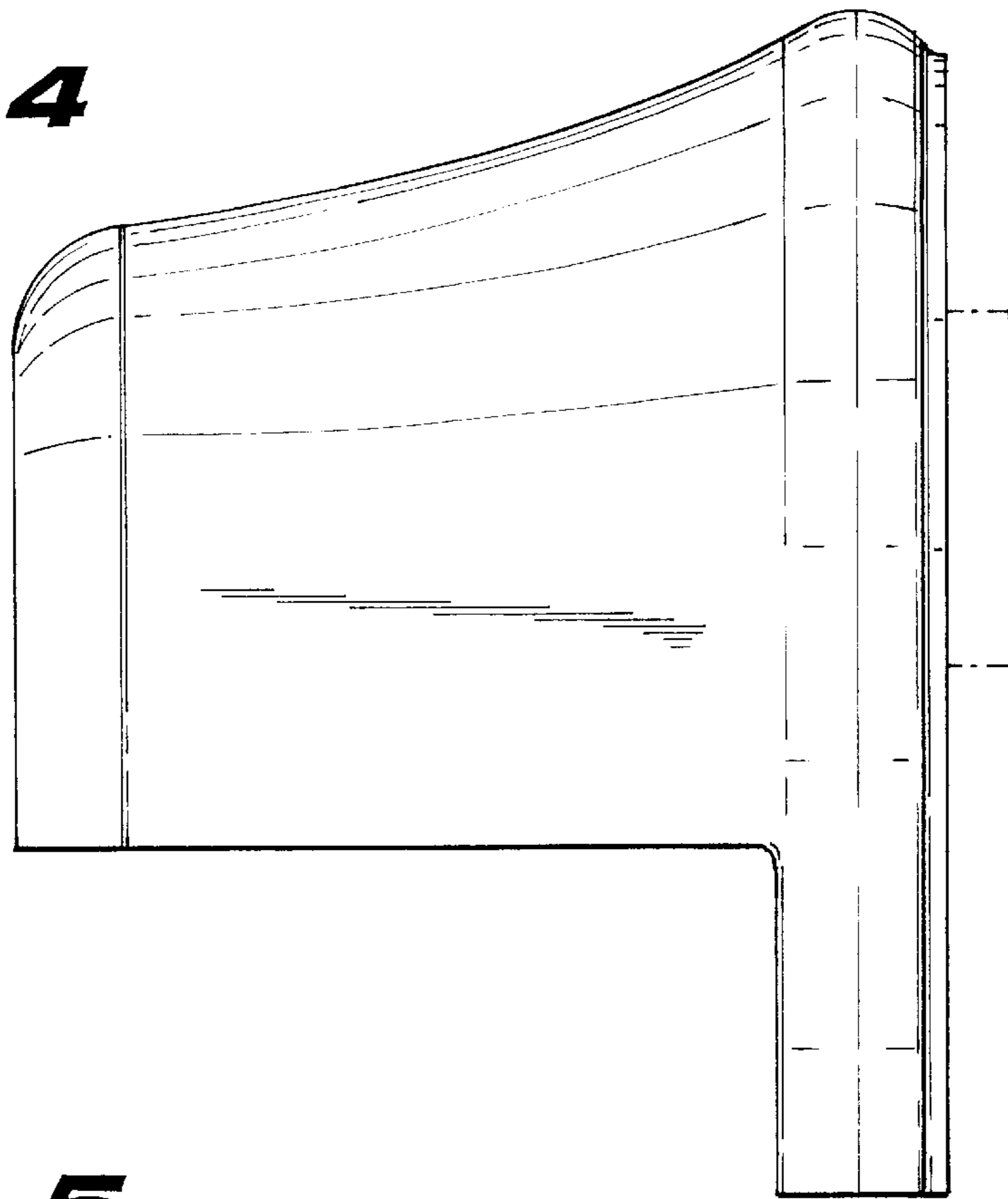


Fig. 5

