



US00D436339S

(12) **United States Design Patent**
Fitzgerald

(10) **Patent No.:** **US D436,339 S**

(45) **Date of Patent:** **** Jan. 16, 2001**

(54) **MOTOR VEHICLE WHEEL FRONT FACE**

(75) **Inventor:** **Kevin Fitzgerald**, Long Beach, CA
(US)

(73) **Assignee:** **KMC Products, Inc.**, Riverside, CA
(US)

(**) **Term:** **14 Years**

(21) **Appl. No.:** **29/124,407**

(22) **Filed:** **Jun. 6, 2000**

(51) **LOC (7) Cl.** **12-16**

(52) **U.S. Cl.** **D12/209**

(58) **Field of Search** D12/204-211;
301/37.1, 64.1, 65

(56) **References Cited**

U.S. PATENT DOCUMENTS

- D. 361,976 * 9/1995 Echazabal et al. D12/211
- D. 375,073 * 10/1996 Theiss D12/209

- D. 383,429 * 9/1997 Mizzarelli et al. D12/211
- D. 401,205 * 11/1998 Fischer D12/209
- D. 410,618 * 6/1999 Hussaini et al. D12/211
- D. 413,851 * 9/1999 Donikoglu D12/209
- D. 423,446 * 4/2000 Chung D12/211

* cited by examiner

Primary Examiner—Stacia Cadmus

(74) *Attorney, Agent, or Firm*—Dykema Gossett PLLC

(57) **CLAIM**

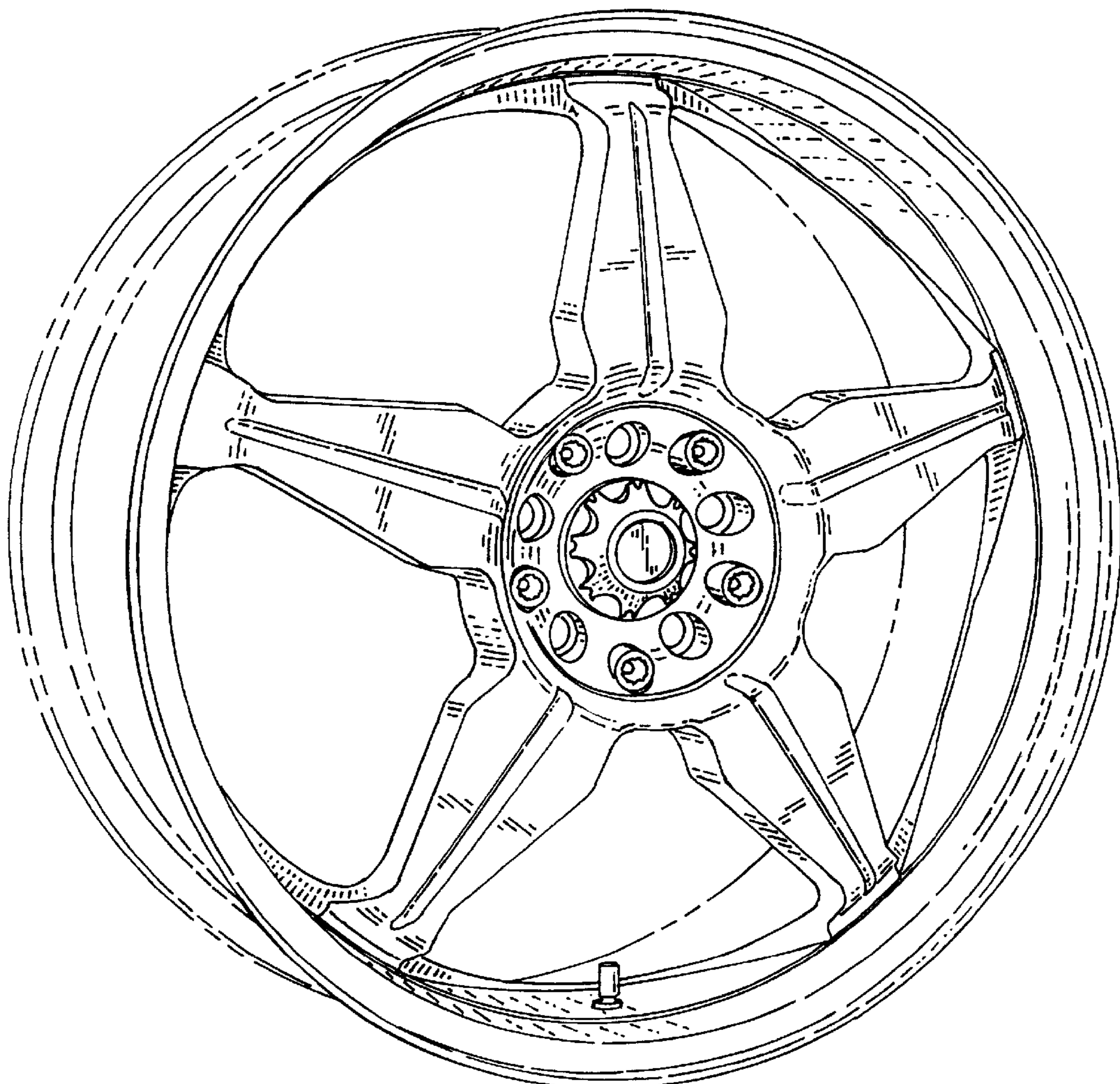
The ornamental design for a motor vehicle wheel front face, as shown and described.

DESCRIPTION

FIG. 1 is a front perspective view of a motor vehicle wheel front face showing my new design; and, FIG. 2 is a front elevational view of the wheel shown in FIG. 1.

The phantom line showing of environment is for illustrative purposes only and forms no part of the claimed design.

1 Claim, 2 Drawing Sheets



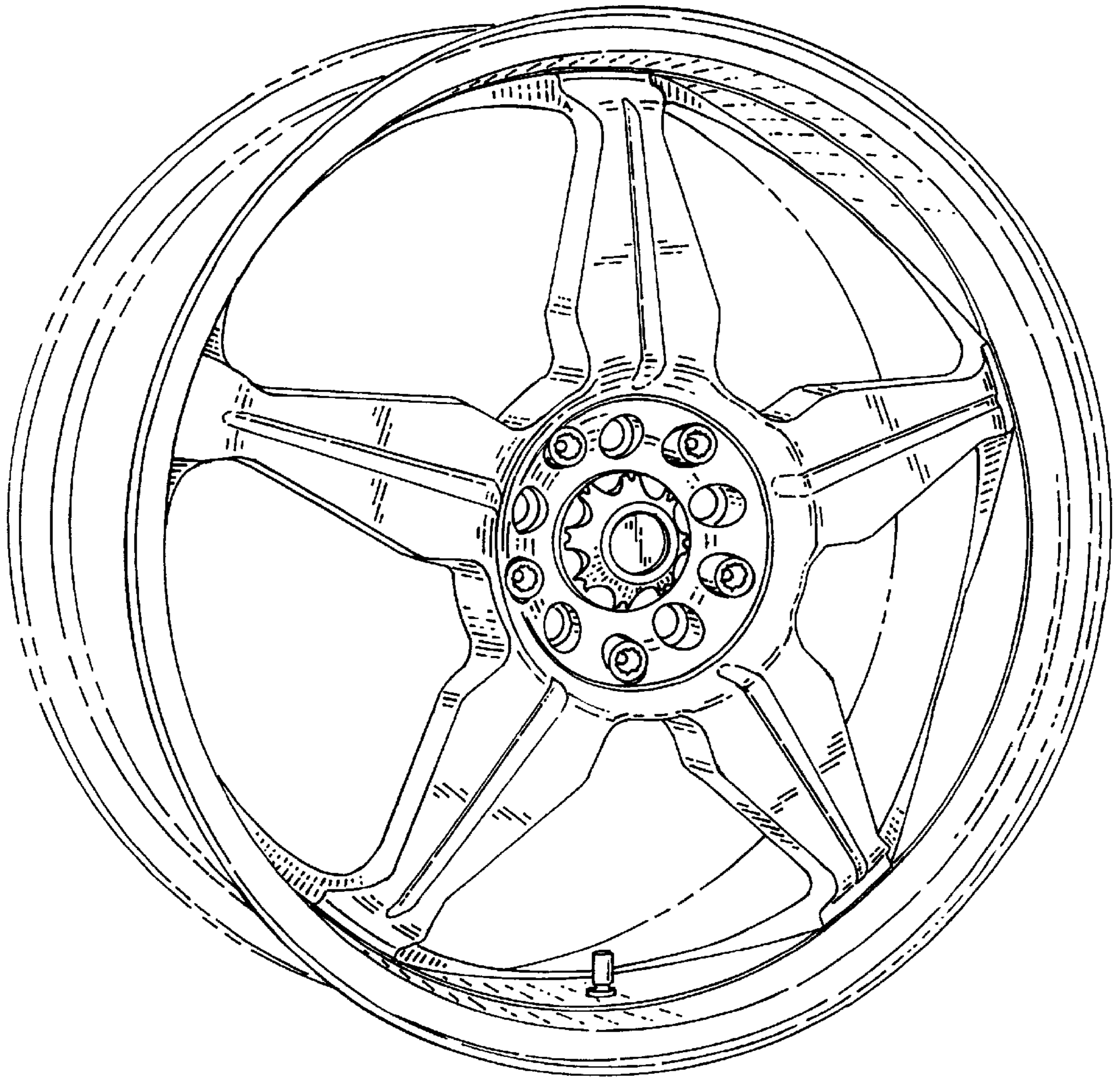


FIG. 1

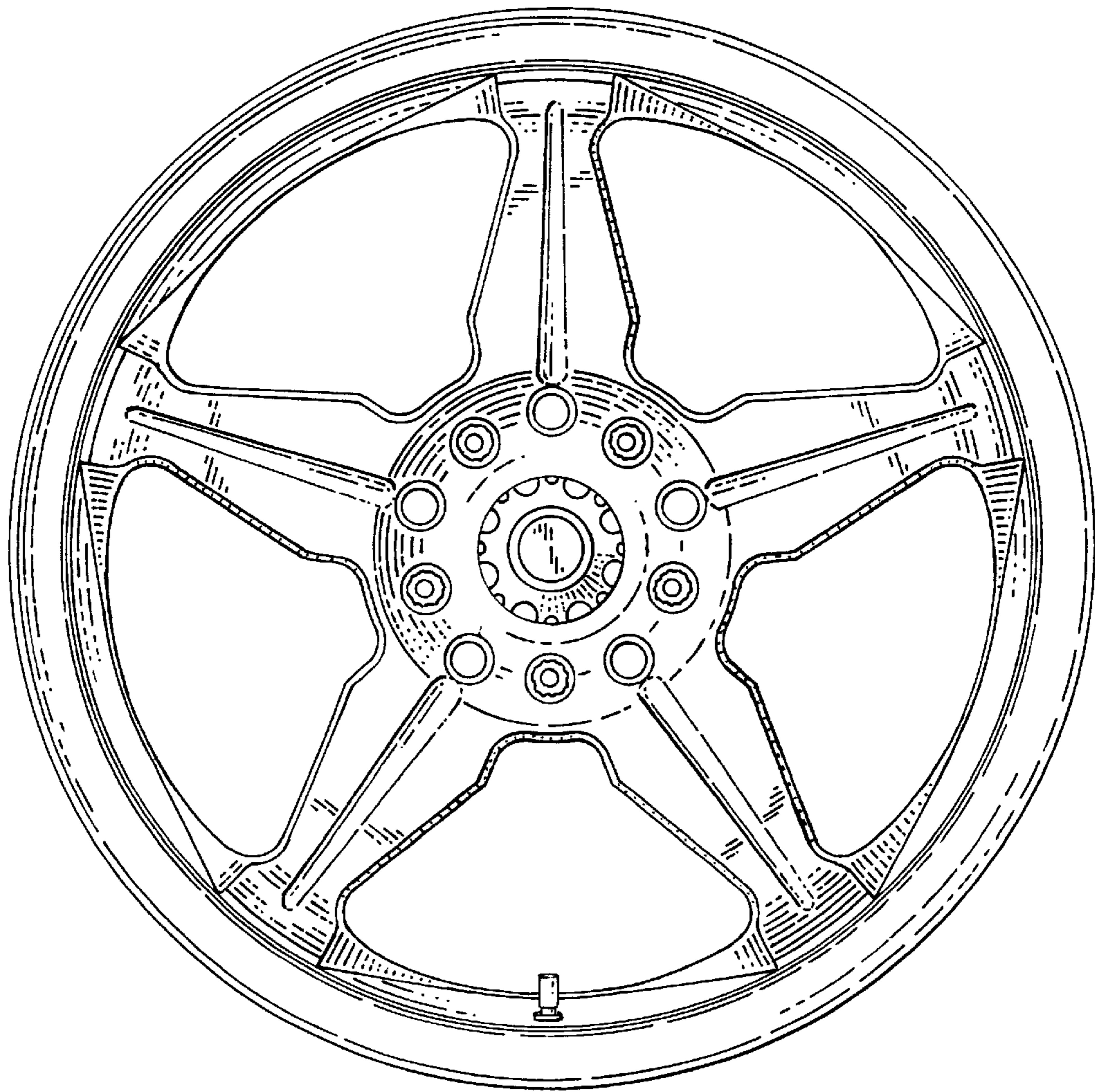


FIG. 2