



US00D436329S

(12) **United States Design Patent**
Sheridan

(10) **Patent No.:** **US D436,329 S**

(45) **Date of Patent:** **** Jan. 16, 2001**

(54) **YARD AND GARDEN ORNAMENT**

D. 415,715 * 10/1999 Cliff D11/162

(76) Inventor: **Douglas F. Sheridan**, 202 S. Lewis St.,
Staunton, VA (US) 24401

* cited by examiner

Primary Examiner—Dominic Simone

(**) Term: **14 Years**

(57) **CLAIM**

(21) Appl. No.: **29/116,644**

The ornamental design for a yard and garden ornament, as shown and described.

(22) Filed: **Jan. 10, 2000**

(51) **LOC (7) Cl.** **11-02**

(52) **U.S. Cl.** **D11/162**

(58) **Field of Search** D11/117, 131,
D11/157, 158, 162; D21/606; 428/7-9,
15, 16

DESCRIPTION

FIG. 1 is a perspective view of the yard and garden ornament of my new design;

FIG. 2 is a top plan view thereof;

FIG. 3 is a front elevational view thereof;

FIG. 4 is a right side view thereof;

FIG. 5 is a rear view thereof;

FIG. 6 is a left side view thereof; and,

FIG. 7 is a bottom view thereof.

(56) **References Cited**

U.S. PATENT DOCUMENTS

D. 309,587 * 7/1990 Vicenes D11/162 X

D. 387,636 * 12/1997 Chang D11/162 X

D. 402,231 * 12/1998 Mumford D11/162

1 Claim, 5 Drawing Sheets

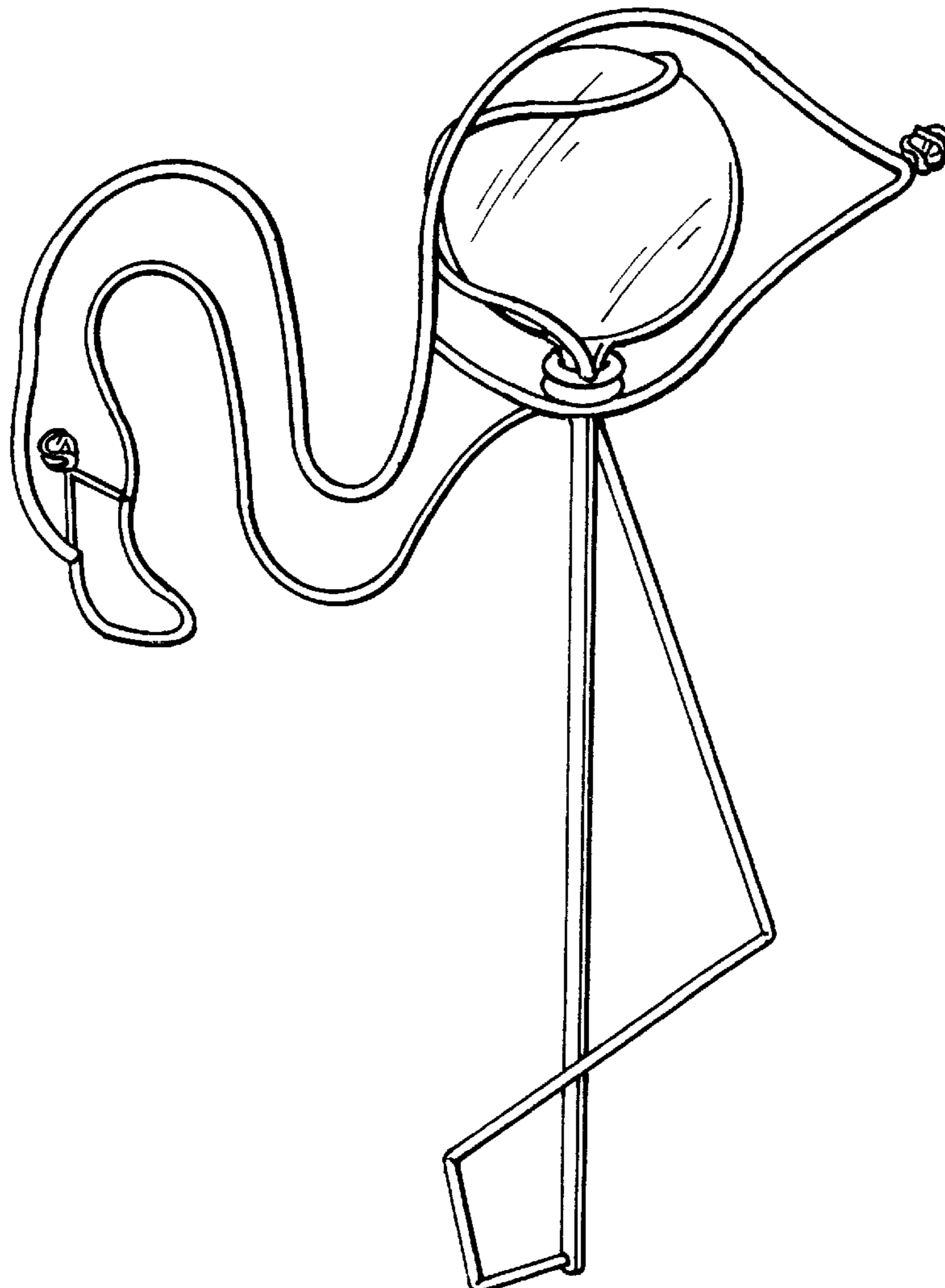
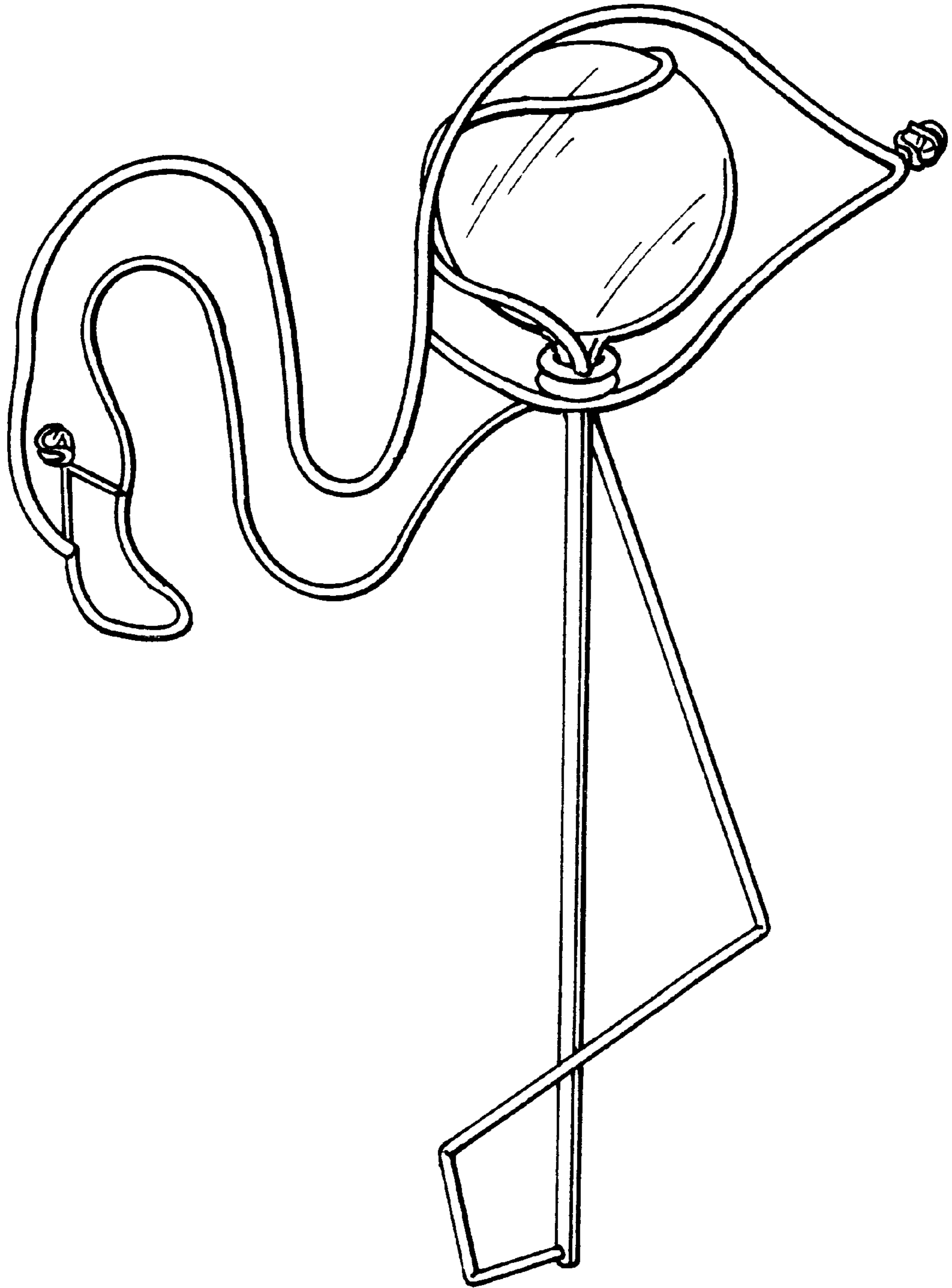


FIG. 1



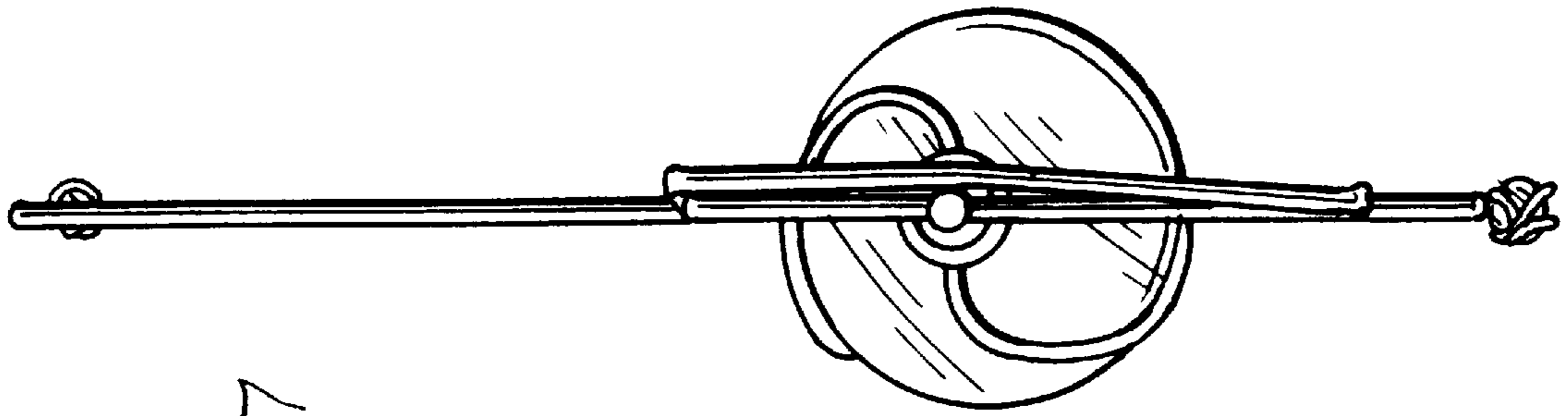


FIG. 7

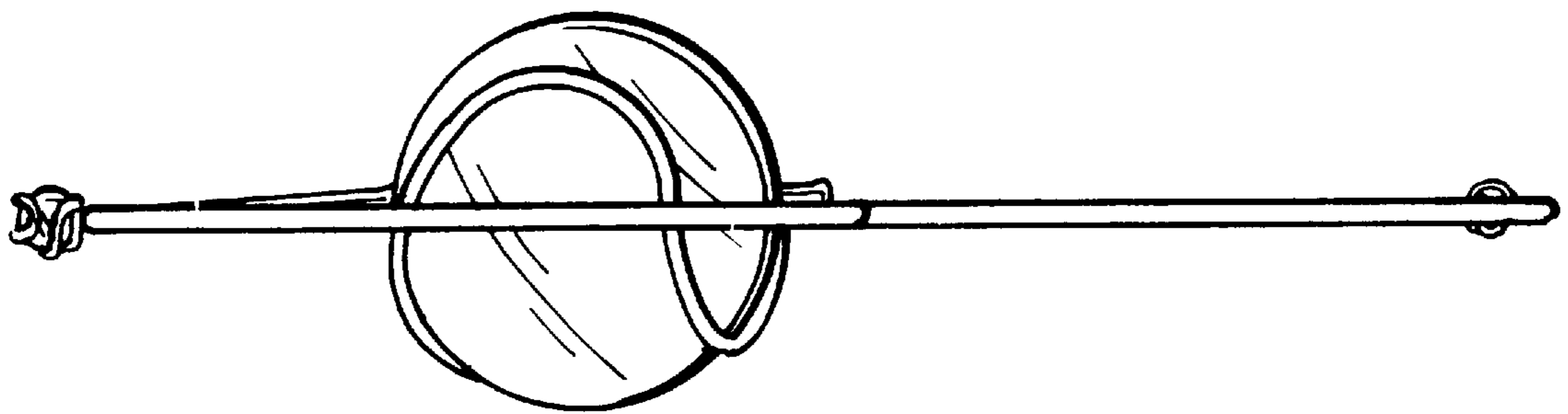


FIG. 2

FIG. 3

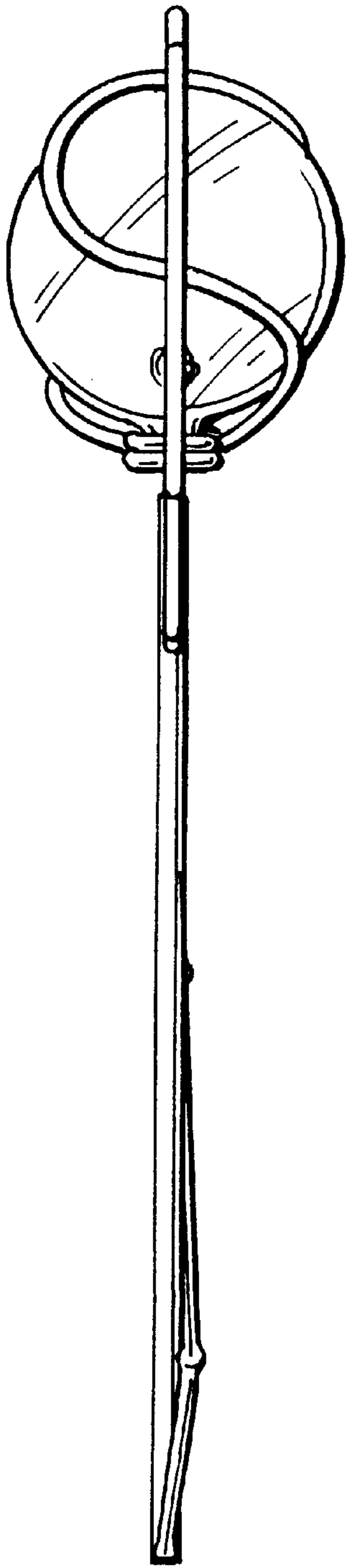


FIG. 5

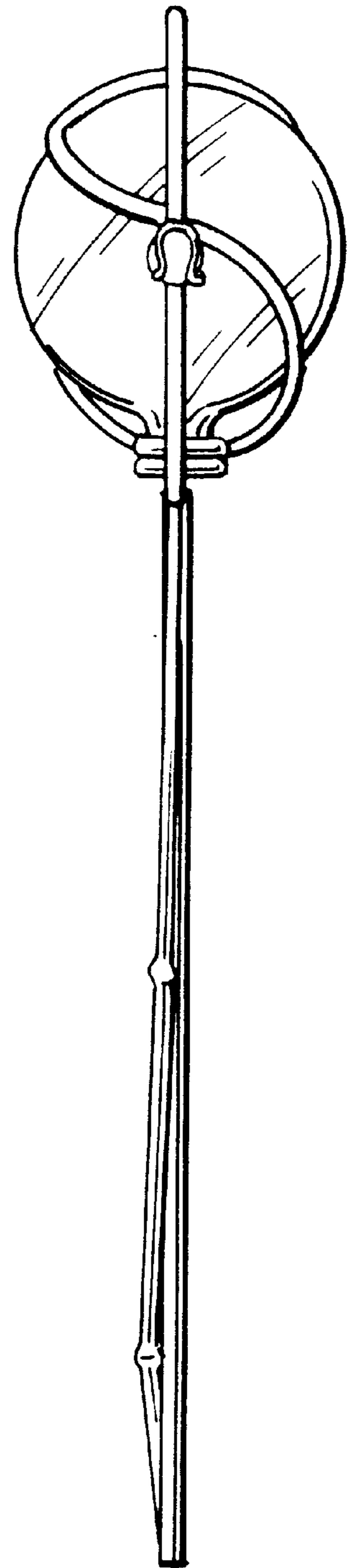


FIG. 4

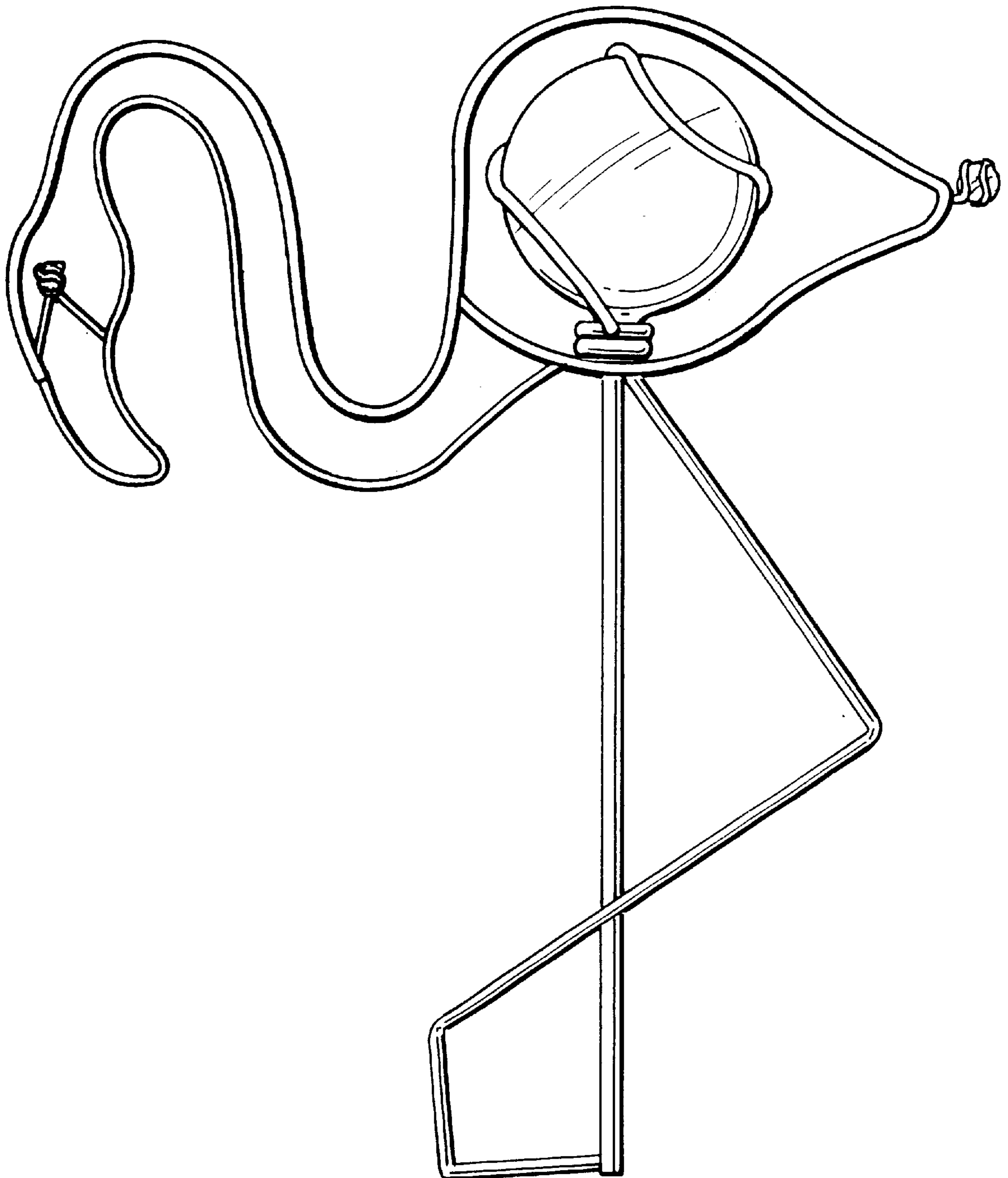


FIG. 6

