



US00D436322S

(12) **United States Design Patent**
Wajer

(10) **Patent No.:** **US D436,322 S**

(45) **Date of Patent:** **** Jan. 16, 2001**

(54) **PORTABLE APPARATUS TO WEIGH HOSPITAL PATIENTS**

5,672,849 * 9/1997 Foster et al. 177/144

* cited by examiner

(76) **Inventor:** **Joyce L. Wajer**, P.O. Box 557, Atlanta, MI (US) 49709

Primary Examiner—Antoine Duval Davis

(74) *Attorney, Agent, or Firm*—Robert J. Rhead

(**) **Term:** **14 Years**

(57) **CLAIM**

(21) **Appl. No.:** **29/088,867**

I claim the ornamental design for portable apparatus to weigh hospital patients, as shown.

(22) **Filed:** **Jun. 2, 1998**

DESCRIPTION

(51) **LOC (7) Cl.** **10-04**

FIG. 1 is a right side elevational view of my portable apparatus to weigh hospital patients

(52) **U.S. Cl.** **D10/87**

FIG. 2 is a front view of my portable apparatus to weigh hospital patients

(58) **Field of Search** D10/87, 89; 177/126, 177/127, 144

FIG. 3 is a top view of my portable apparatus to weigh hospital patients; and,

FIG. 4 is a left side elevational view of my portable apparatus to weigh hospital patients.

(56) **References Cited**

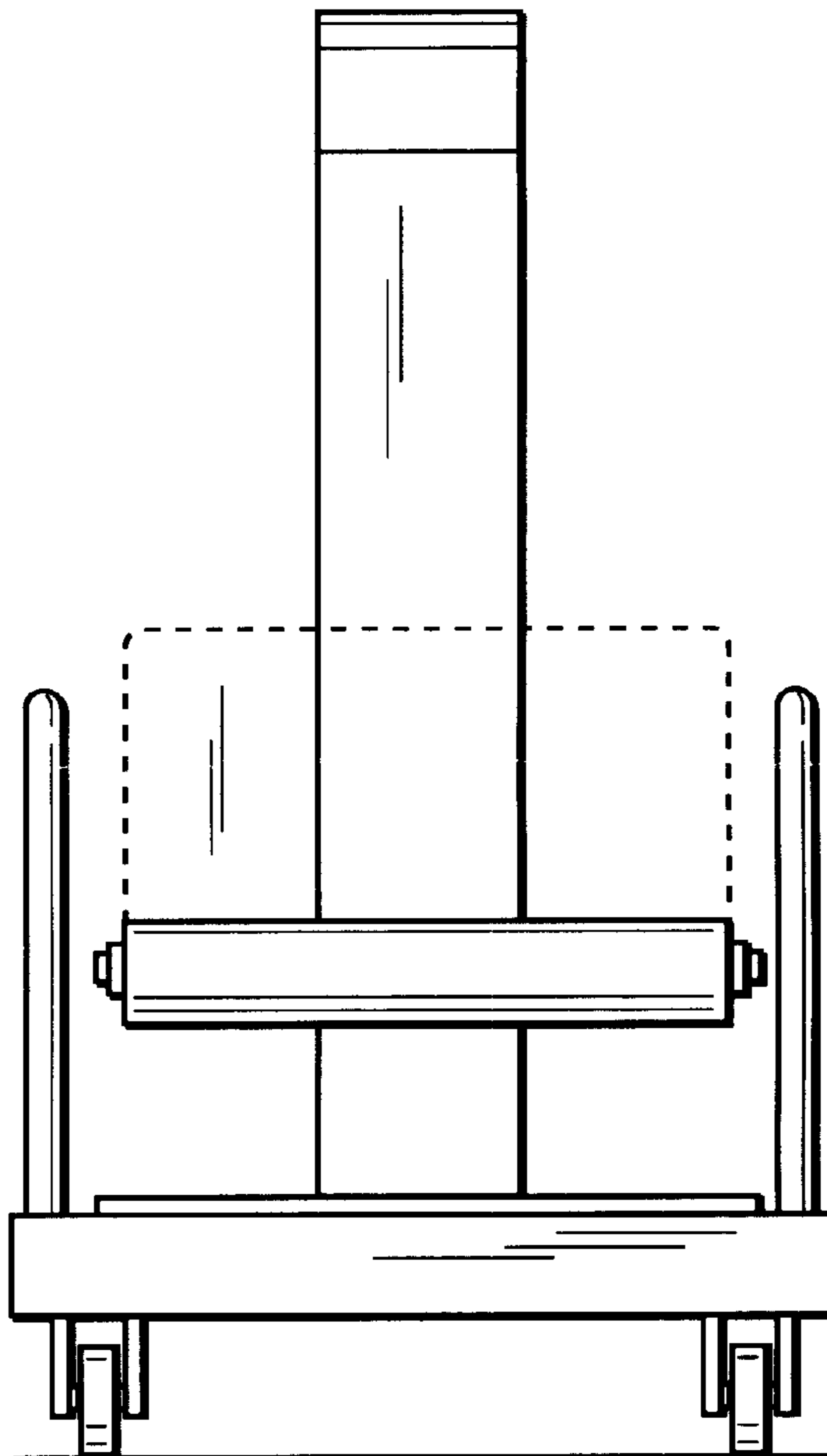
The broken line showing is for illustrative purposes only and forms no part of the claimed design.

U.S. PATENT DOCUMENTS

4,013,135 * 3/1977 Kechely 177/144

5,376,761 * 12/1994 Koch et al. 177/144 X

1 Claim, 1 Drawing Sheet



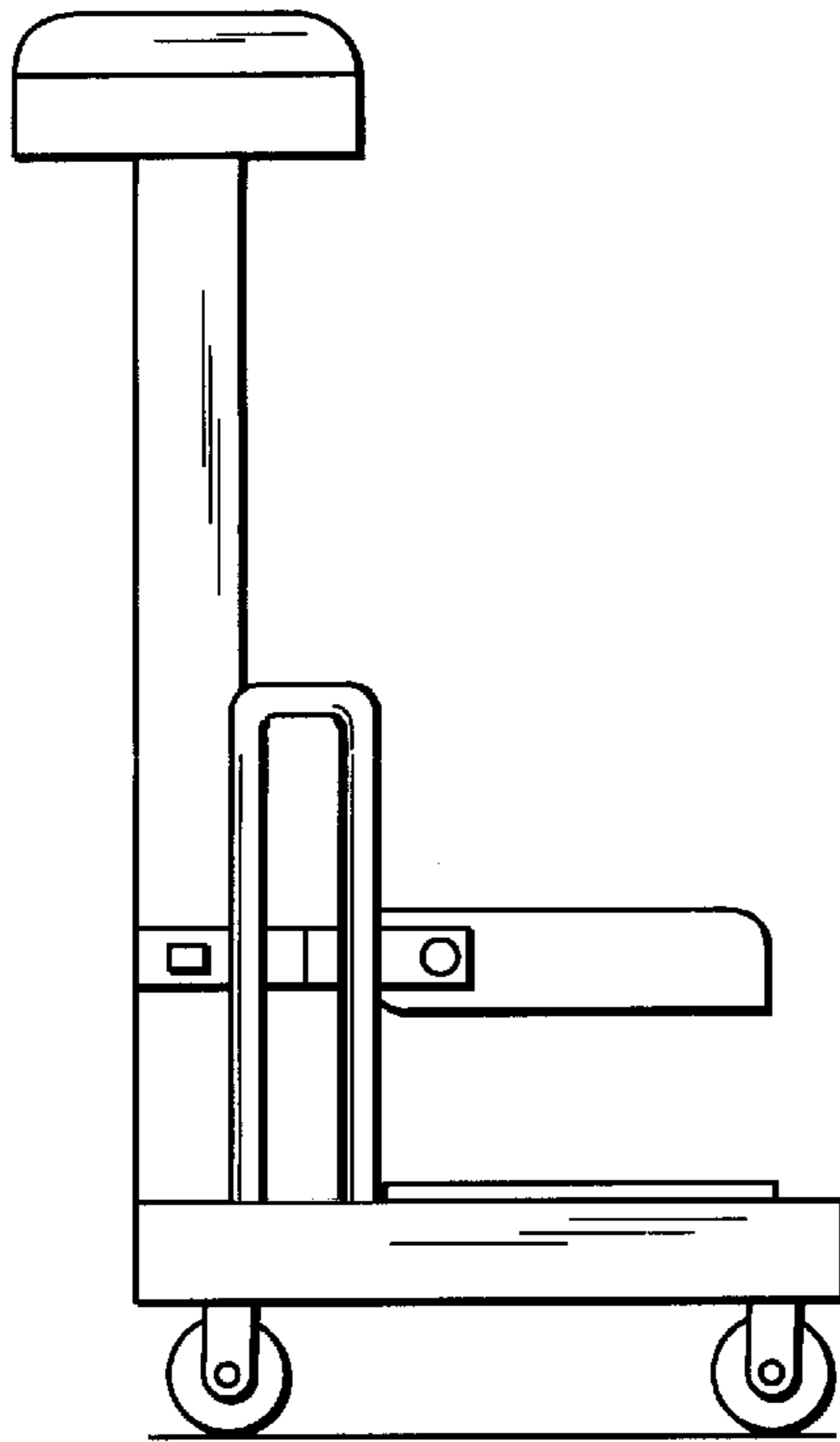


FIG. 1

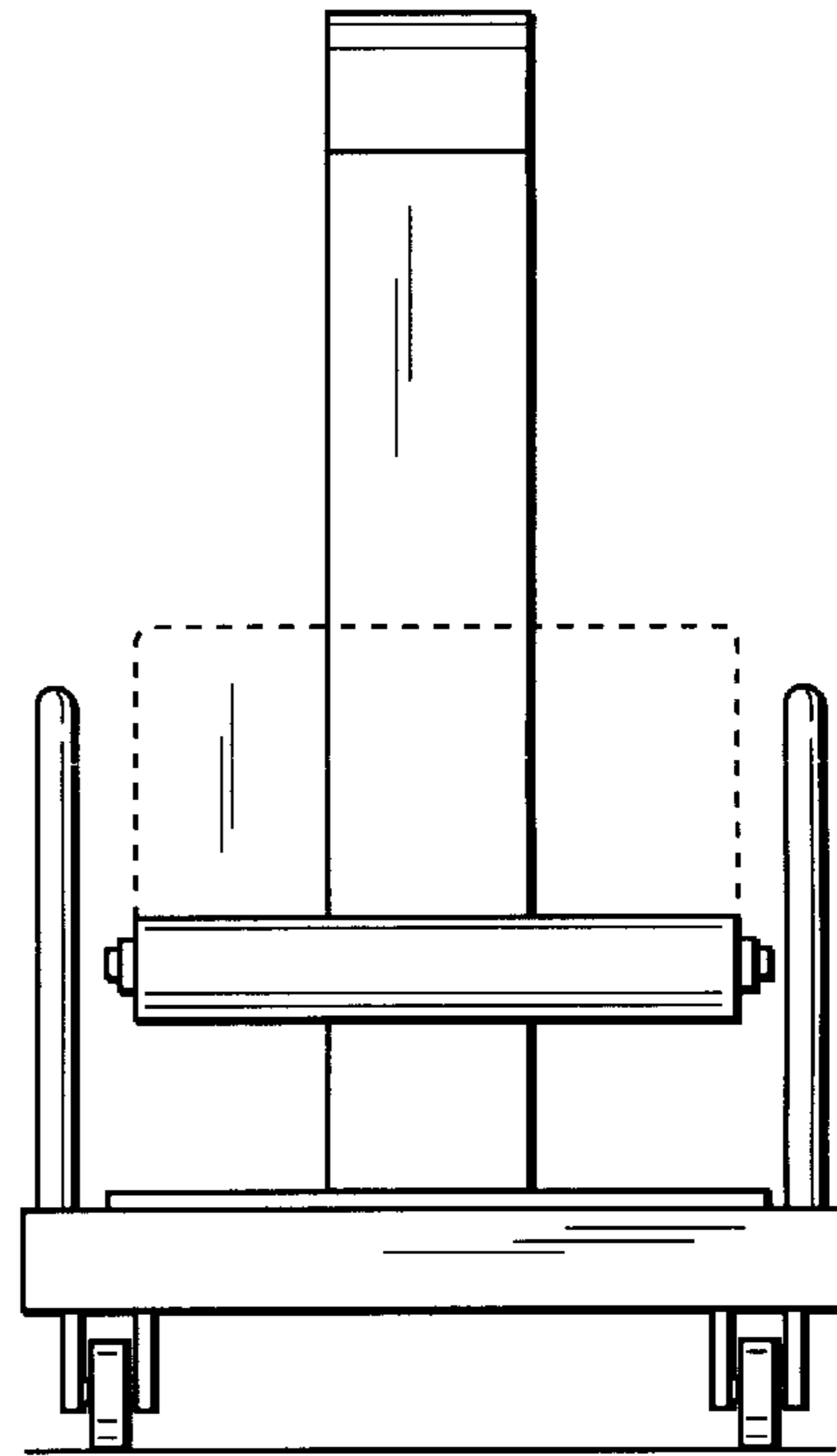


FIG. 2

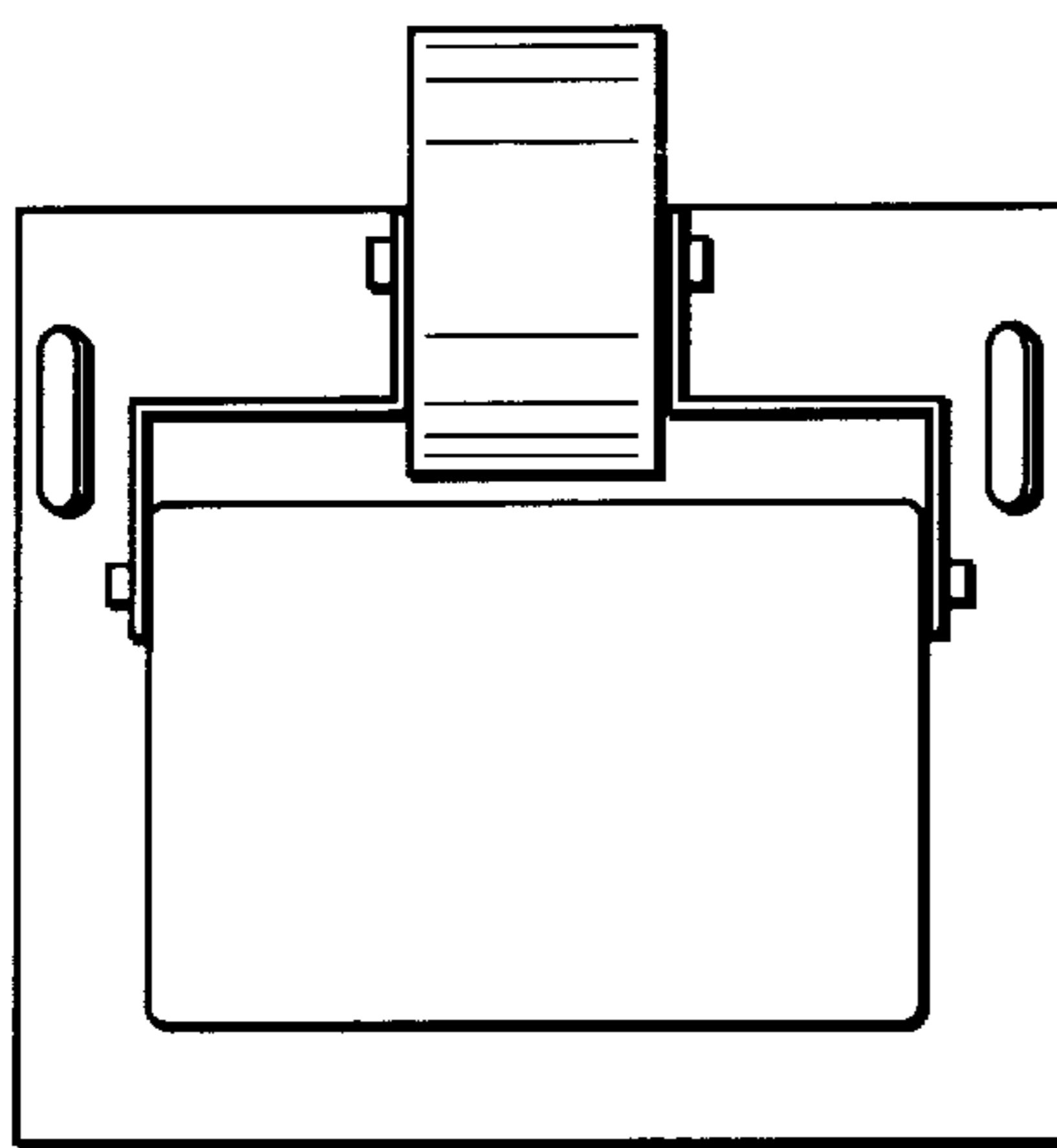


FIG. 3

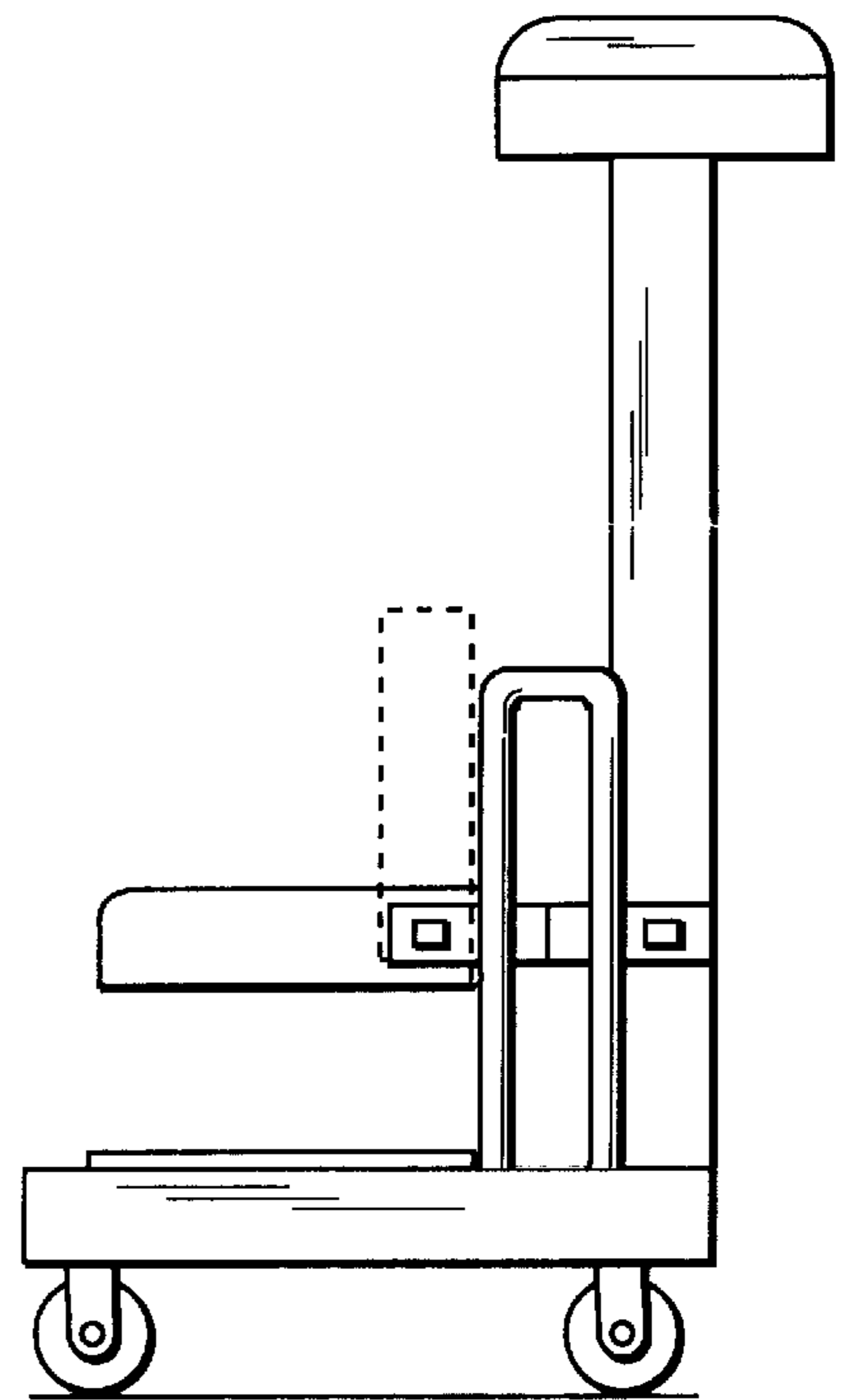


FIG. 4