



US00D436315S

(12) **United States Design Patent**
Bentolila

(10) **Patent No.:** **US D436,315 S**
(45) **Date of Patent:** **** Jan. 16, 2001**

- (54) **BOX**
- (76) **Inventor:** **Isaac Serfaty Bentolila**, AV Bogota
Res La Cascada, Apto #5, Urb Los
Caobos, Caracas (VE), 1050
- (**) **Term:** **14 Years**
- (21) **Appl. No.:** **29/125,654**
- (22) **Filed:** **Jun. 27, 2000**

4,765,534	8/1988	Zion et al. .	
5,118,032	6/1992	Geho .	
5,226,587	7/1993	Eisman et al. .	
5,518,172	* 5/1996	Nanno	229/148
5,536,194	7/1996	Larsen et al. .	
5,595,339	* 1/1997	Correll	229/109
5,718,368	2/1998	Rench et al. .	
5,806,755	* 9/1998	Correll	229/110
6,016,951	* 1/2000	Correll	229/906

* cited by examiner

Primary Examiner—Ted Shooman
Assistant Examiner—Carol Rademaker
(74) *Attorney, Agent, or Firm*—Richard C. Litman

Related U.S. Application Data

- (63) Continuation-in-part of application No. 29/113,299, filed on Nov. 3, 1999, now Pat. No. Des. 428,334.
- (51) **LOC (7) Cl.** **09-03**
- (52) **U.S. Cl.** **D9/430; D9/433**
- (58) **Field of Search** D9/346, 430-433;
206/806; 229/109-110, 116.1, 117.04, 146,
148

(57) **CLAIM**

The ornamental design for a box, as shown and described.

DESCRIPTION

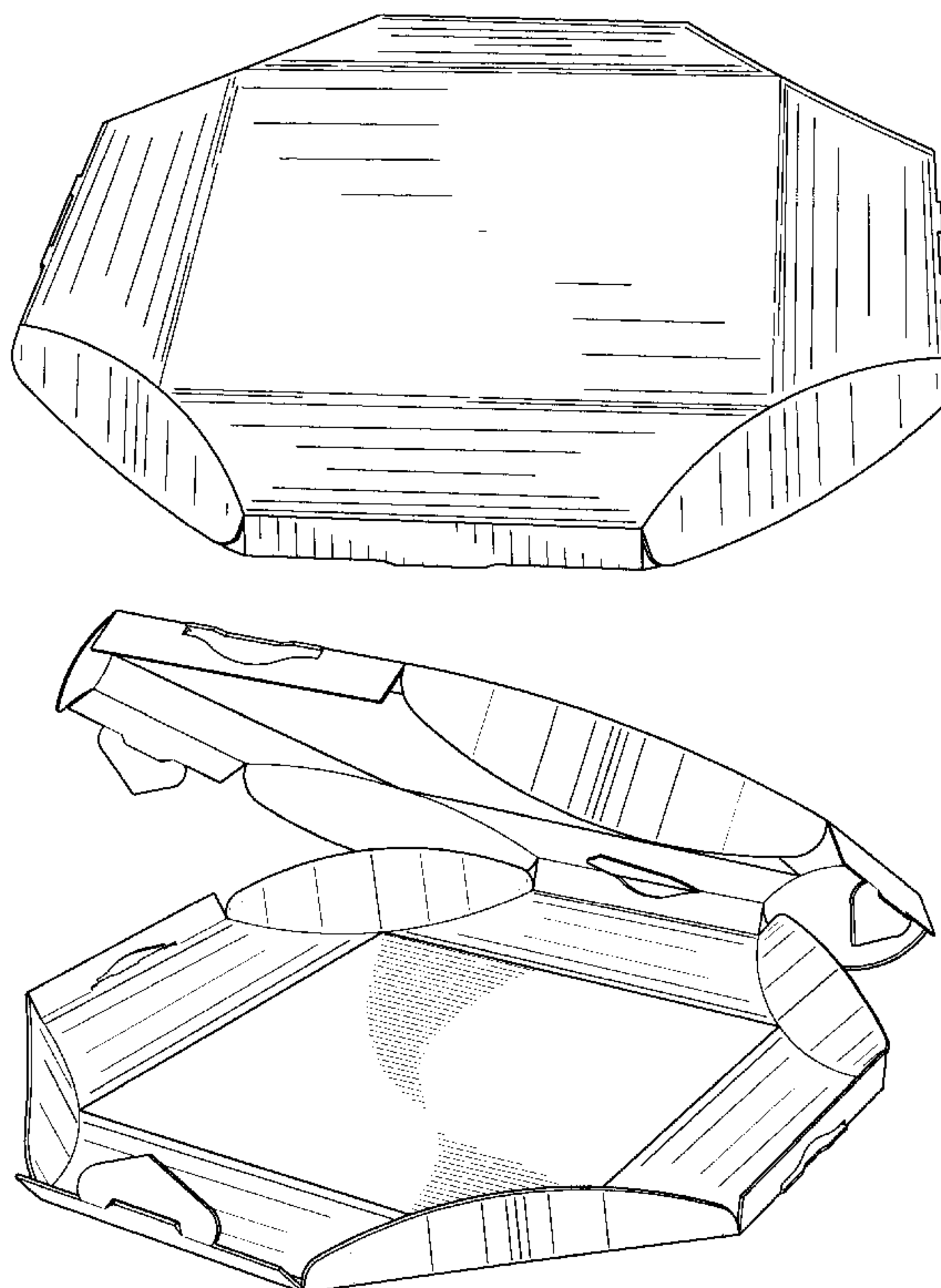
FIG. 1 is a perspective view of a box showing my new design;
 FIG. 2 is a top plan view thereof;
 FIG. 3 is a bottom plan view thereof;
 FIG. 4 is a front elevational view with the rear view being a mirror image thereof;
 FIG. 5 is a right side elevational view with the left side being a mirror image thereof;
 FIG. 6 is an exploded view showing how the components fit together;
 FIG. 7 is a view showing the box in unfolded condition; and,
 FIG. 8 is a perspective view of the box shown in partially opened condition.

(56) **References Cited**

U.S. PATENT DOCUMENTS

D. 211,564	7/1968	Bailey .	
D. 290,813	7/1987	Forbes, Jr. .	
D. 348,609	* 7/1994	Eisman et al.	D9/430
D. 385,185	10/1997	Rench et al. .	
D. 397,294	8/1998	Saulas .	
2,307,076	1/1943	Ray .	
2,646,916	* 7/1953	Meller	229/192
2,925,213	2/1960	Zukoski .	
3,447,672	6/1969	Bailey et al. .	
4,620,666	11/1986	Lacasa et al. .	

1 Claim, 6 Drawing Sheets



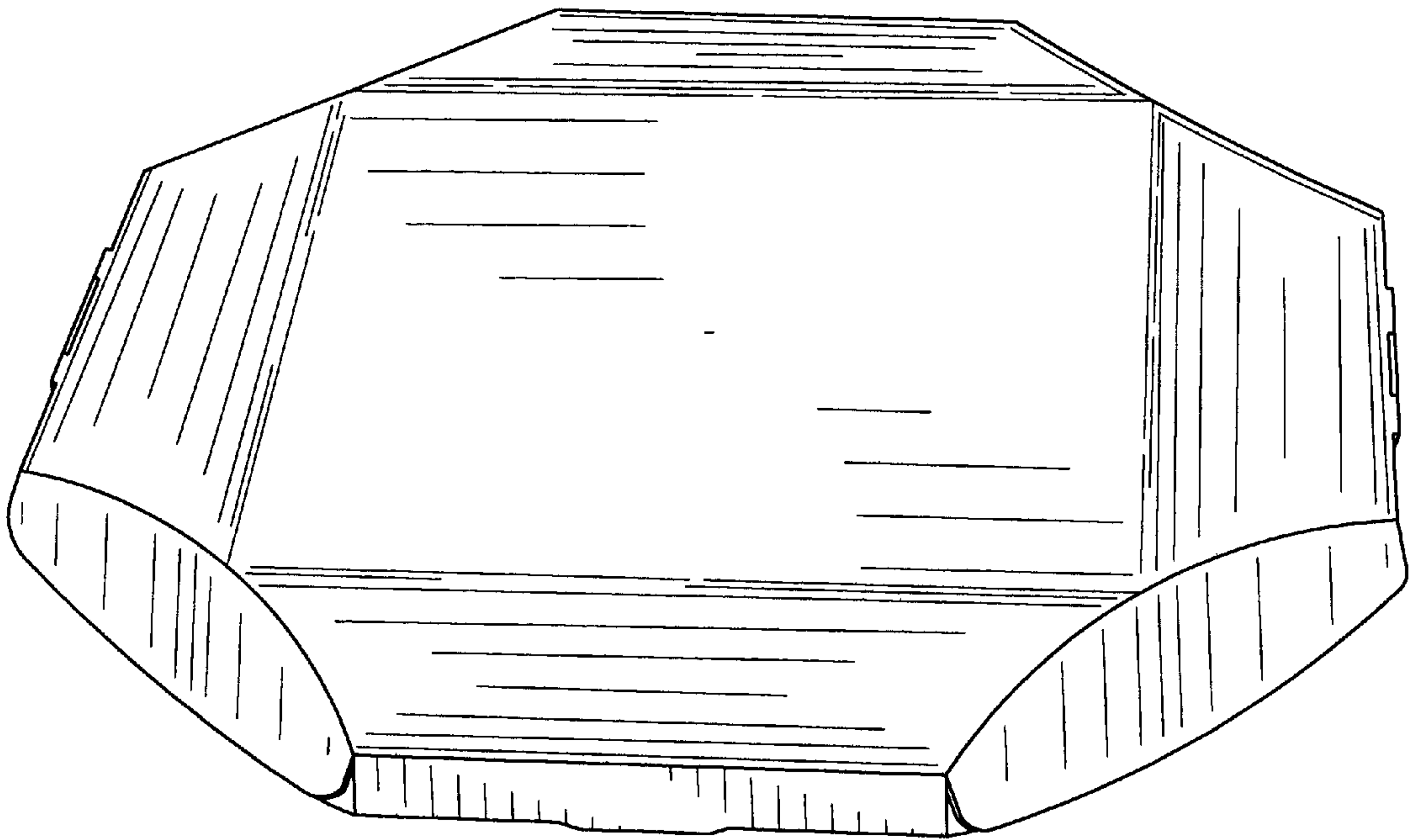


Fig. 1

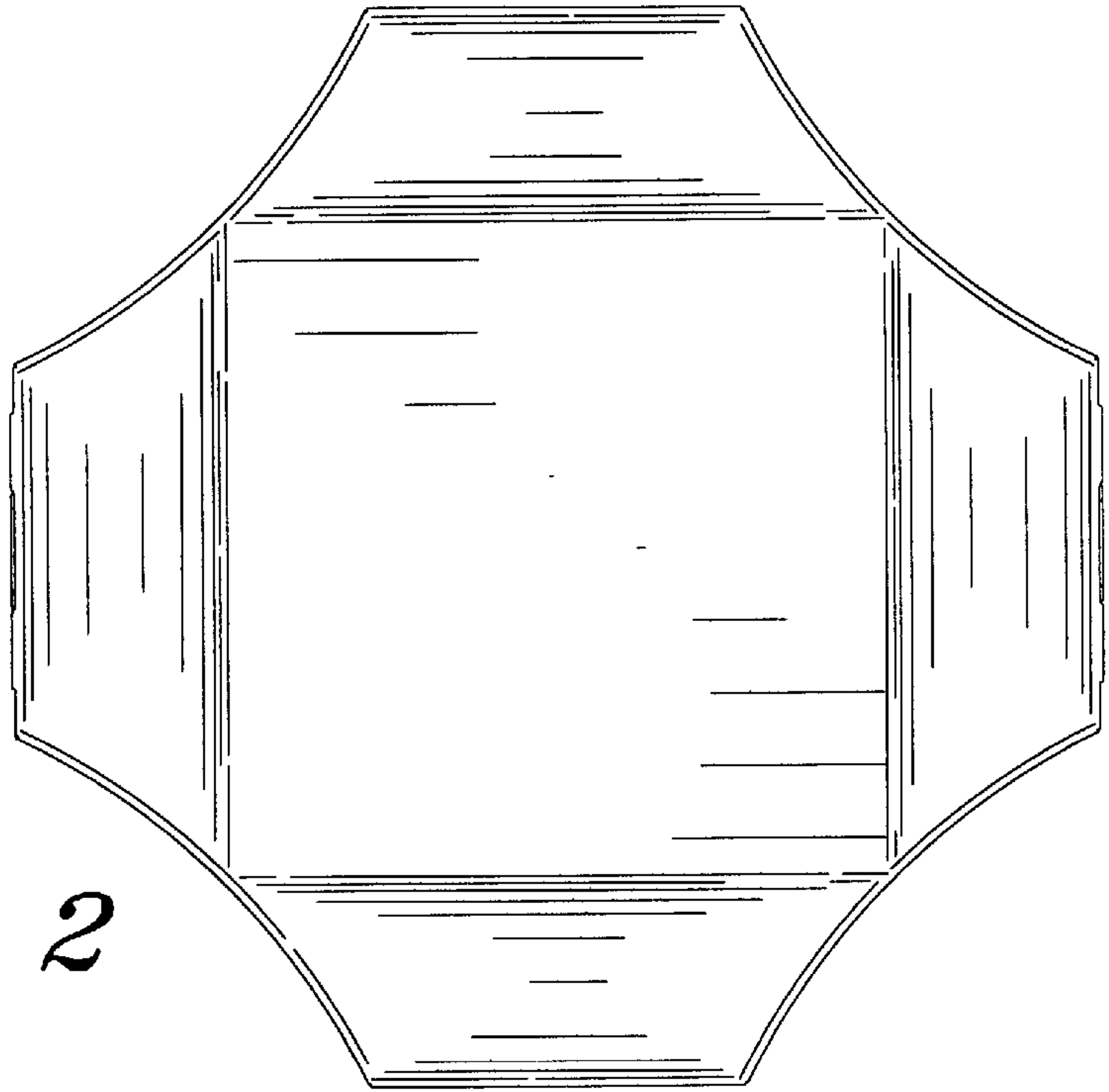


Fig. 2

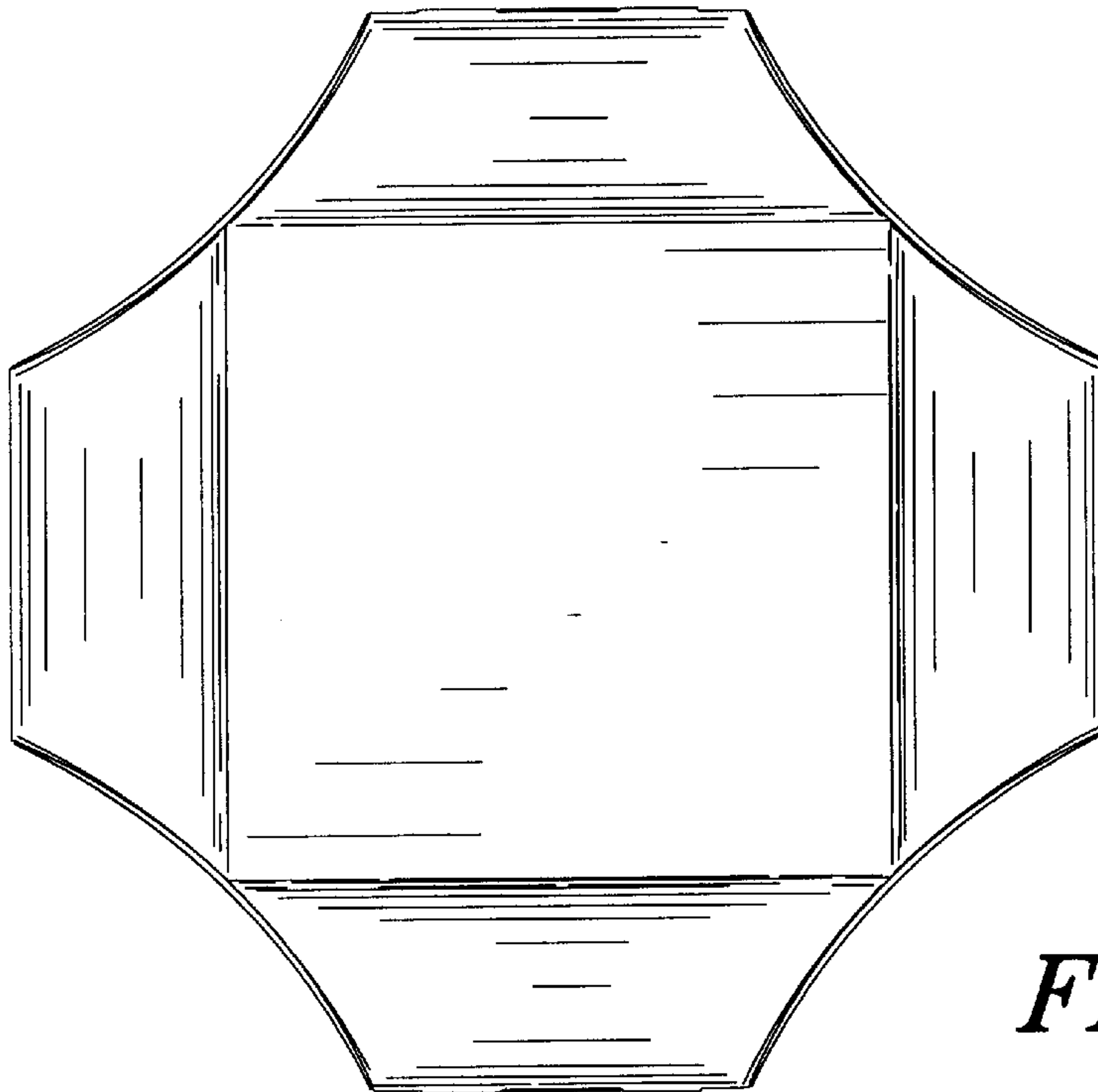


Fig. 3

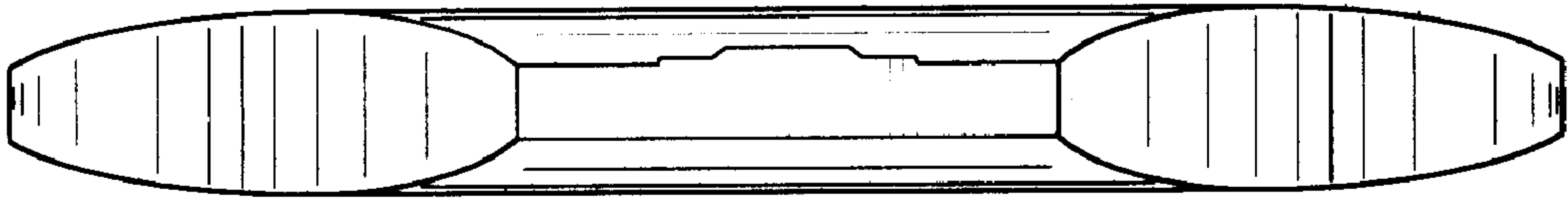


Fig. 4

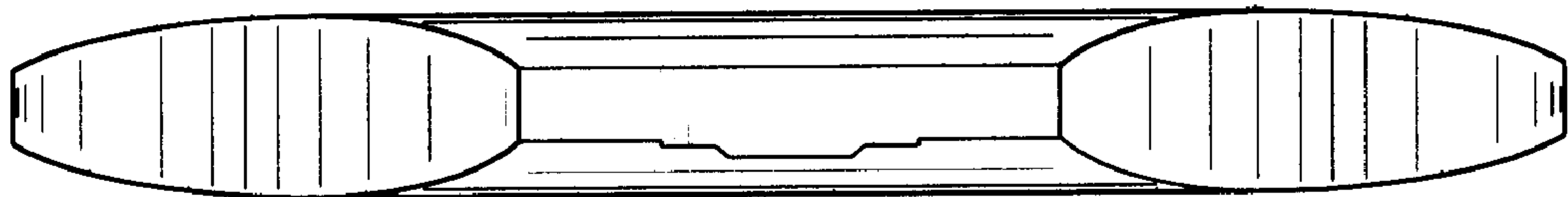


Fig. 5

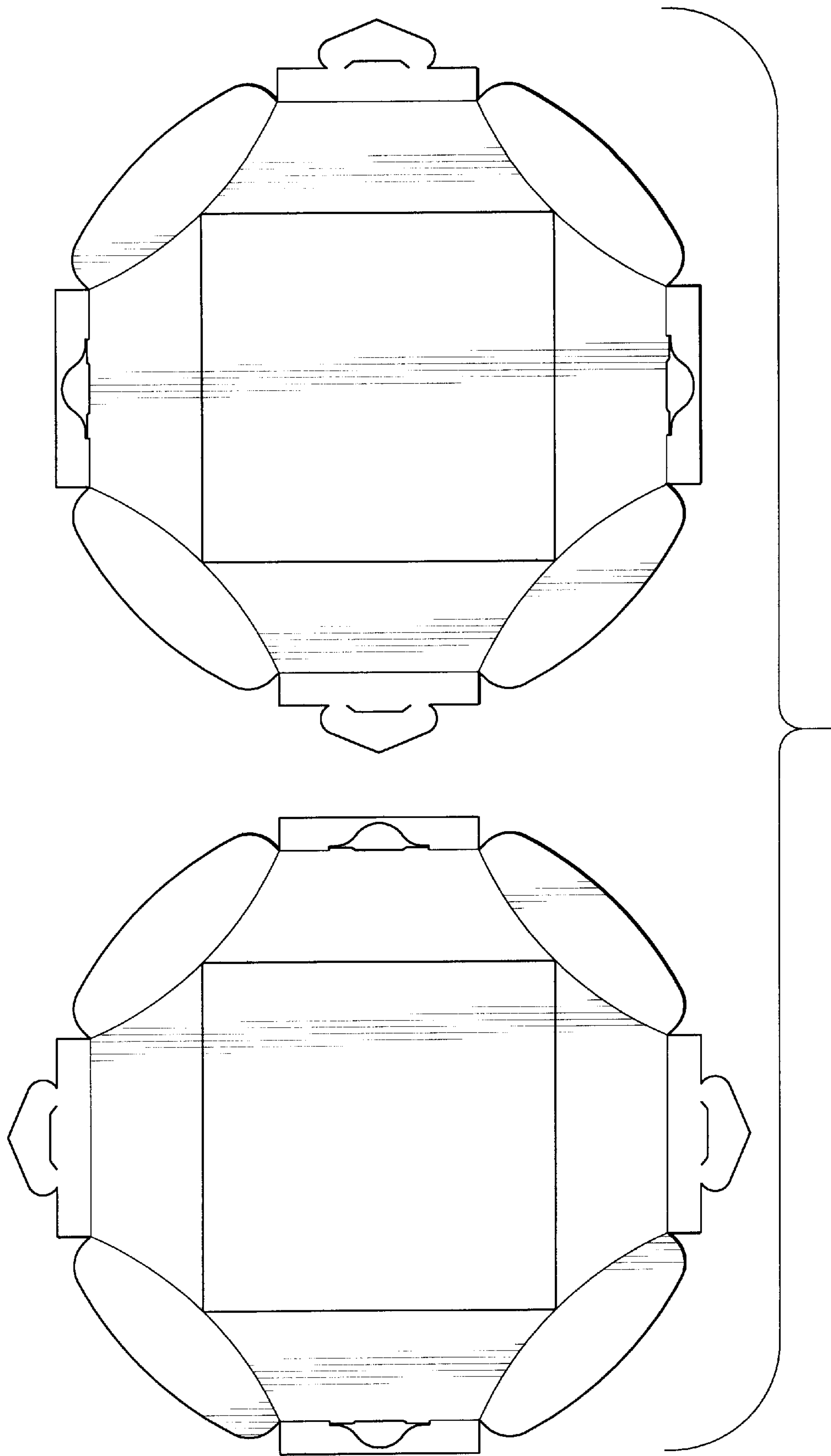


Fig. 6

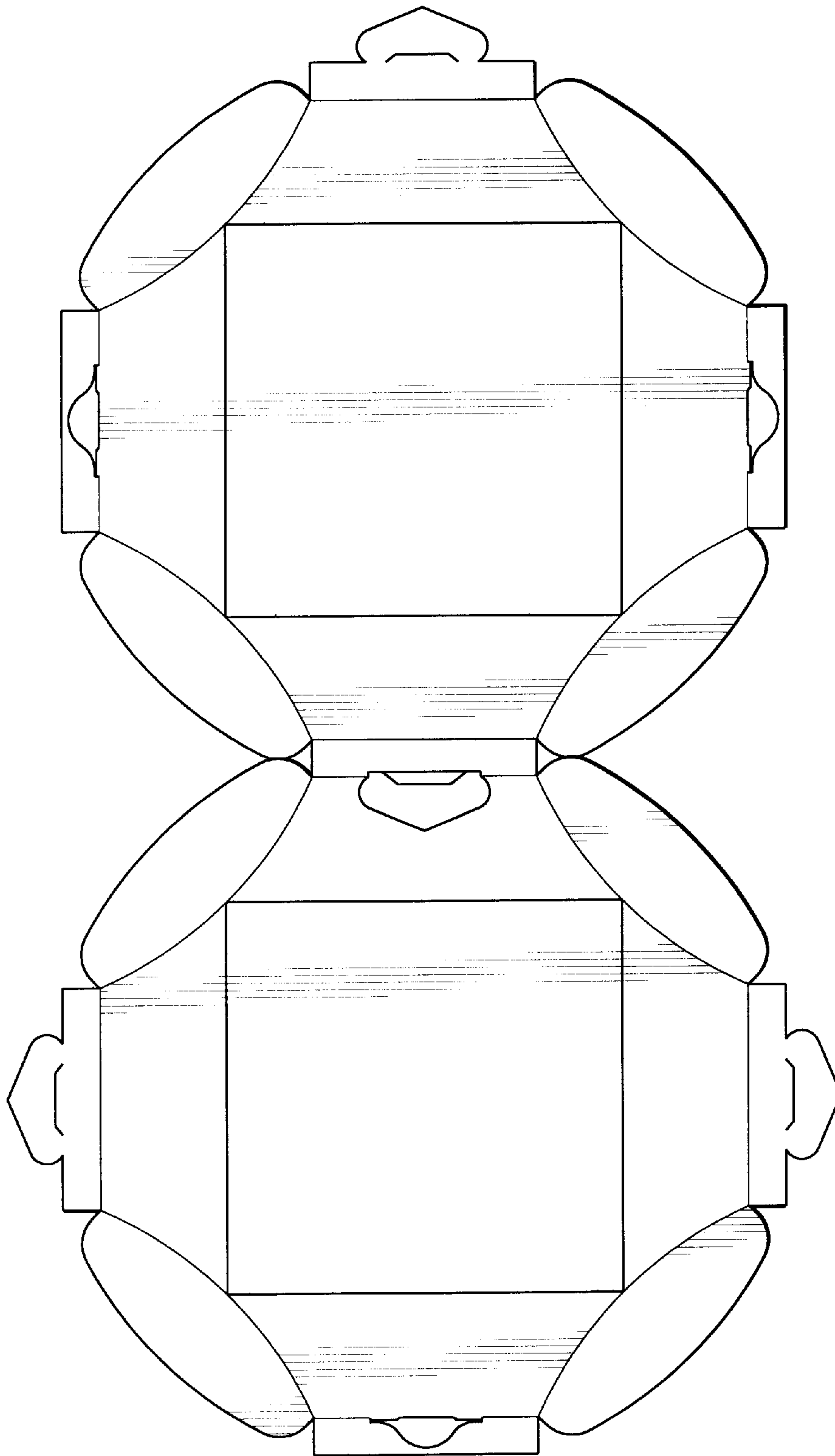


Fig. 7

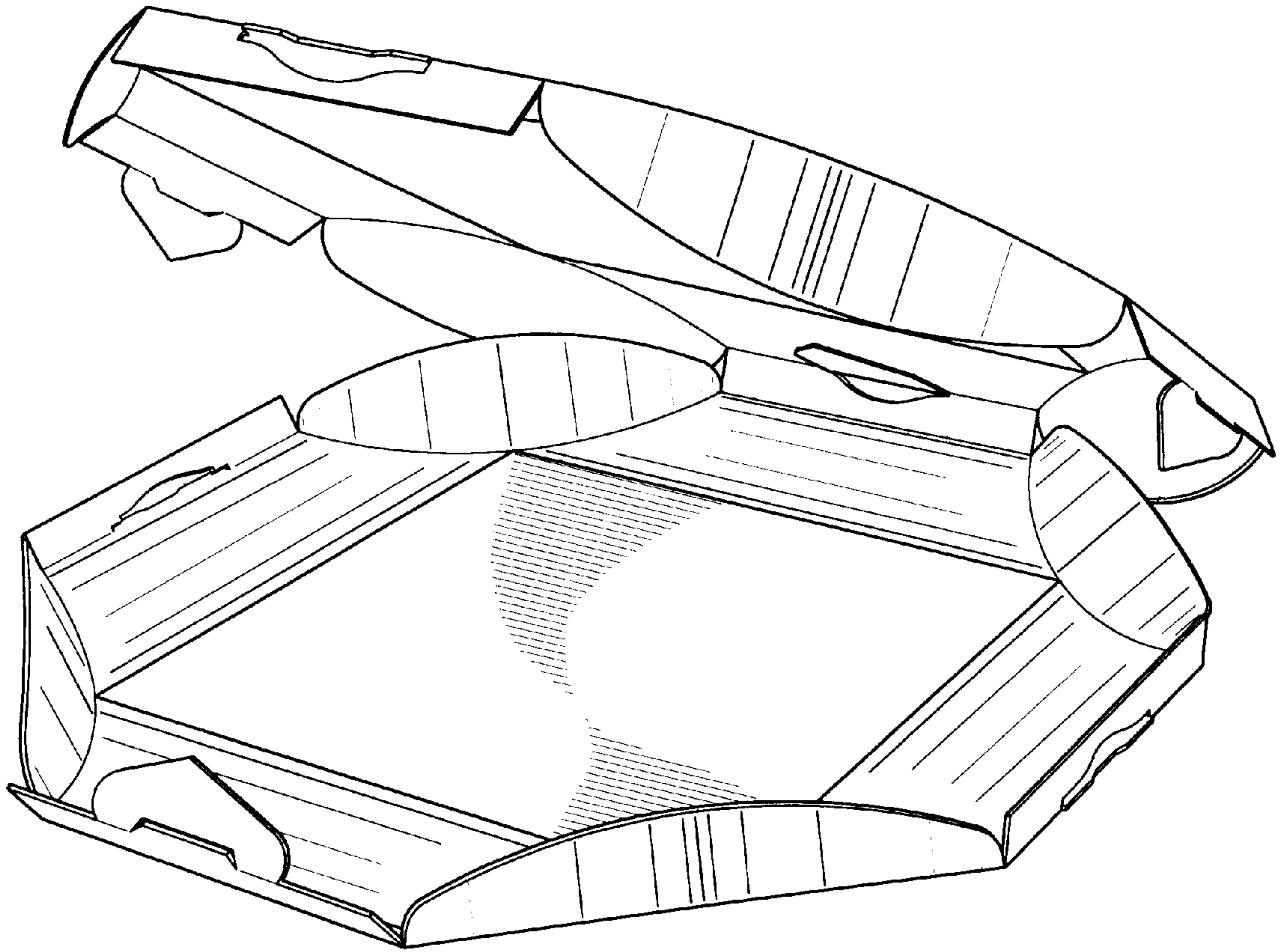


Fig. 8