



US00D436314S

(12) United States Design Patent
Hansen

(10) Patent No.: US D436,314 S
(45) Date of Patent: ** Jan. 16, 2001

(54) CONTAINER HAVING MULTIPLE ORIENTATIONS

(76) Inventor: **Richard E. Hansen**, P.O. Box 1602, Murphys, CA (US) 95247

(**) Term: **14 Years**

(21) Appl. No.: **29/101,522**

(22) Filed: **Mar. 4, 1999**

(51) **LOC (7) Cl. 09-03**

(52) **U.S. Cl. D9/422; D9/423**

(58) **Field of Search D3/273, 294; D6/634-635; D9/341, 414, 415, 418, 422-423, 430-433; 206/454, 581, 706, 759; 220/811-813; 229/125.12, 126**

(56) References Cited

U.S. PATENT DOCUMENTS

D. 235,513	*	6/1975	Greer et al.	D9/431
D. 255,038	*	5/1980	Itakura	D3/273
D. 273,721	*	5/1984	Ronzani	D9/420
D. 399,135	*	10/1998	Mecca et al.	D9/432
D. 421,856	*	3/2000	Kirihara et al.	D6/635
D. 422,445	*	4/2000	Markowitz	D6/634
1,378,363	*	5/1921	List	206/45.23
4,838,422	*	6/1989	Gregerson	206/308.3
5,531,328	*	7/1996	Rochelo et al.	206/706

* cited by examiner

Primary Examiner—Ted Shooman
Assistant Examiner—Carol Rademaker
(74) *Attorney, Agent, or Firm*—Bernhard Kreten

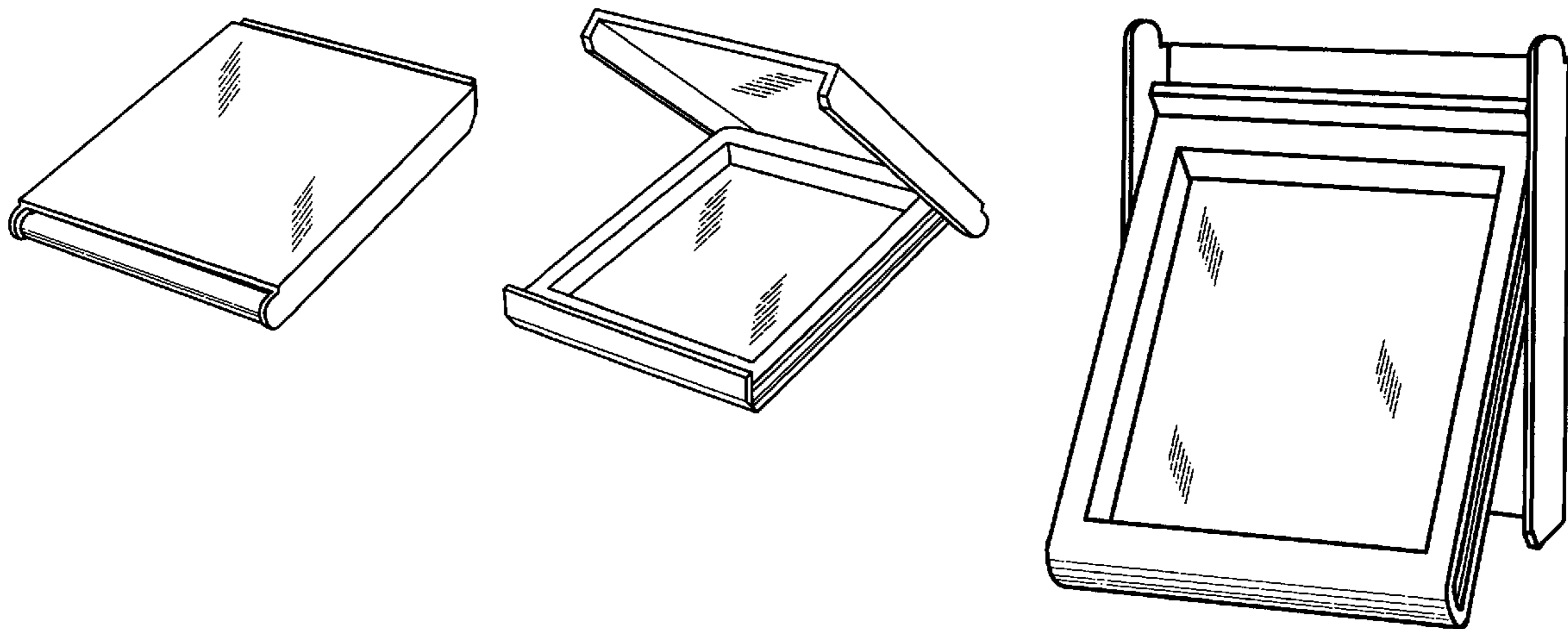
(57) CLAIM

The ornamental design for a container having multiple orientations, as shown and described.

DESCRIPTION

FIG. 1 is a side view of a container having multiple orientations showing my new design.
 FIG. 2 is an opposite side view thereof.
 FIG. 3 is an end view thereof.
 FIG. 4 is an opposite end view thereof.
 FIG. 5 is a top view thereof.
 FIG. 6 is a bottom view thereof.
 FIG. 7 is a side view thereof with the top exposed.
 FIG. 8 is an opposite side view thereof with top exposed.
 FIG. 9 is a front view thereof.
 FIG. 10 is a rear view thereof with the top exposed.
 FIG. 11 is a top view thereof.
 FIG. 12 is a bottom view thereof.
 FIG. 13 is a perspective view of the container thereof.
 FIG. 14 is a perspective view of the container in a partially opened position.
 FIG. 15 is a perspective view of the container in a further opened position.
 FIG. 16 is a perspective view of the container in a further opened position.
 FIG. 17 is a perspective view of the container in a further opened position.
 FIG. 18 is a perspective view of the container in a further opened position.
 FIG. 19 is a perspective view of the container in a further opened position.
 FIG. 20 is a perspective view of the container in a further opened position.
 FIG. 21 is a perspective view of the container in a further opened position.
 FIG. 22 is a perspective view of the container in a further opened position.
 FIG. 23 is an enlarged fragmentary view of the slide of the container with the front panel removed and the outer body of the container broken away for clarity of illustration.
 FIG. 24 is an enlarged fragmentary view of the slide of the container with the outer body of the container broken away for clarity of illustration; and,
 FIG. 25 is an enlarged fragmentary view of the opposite end of the slide of the container with the outer body of the container broken away for clarity of illustration.

1 Claim, 5 Drawing Sheets



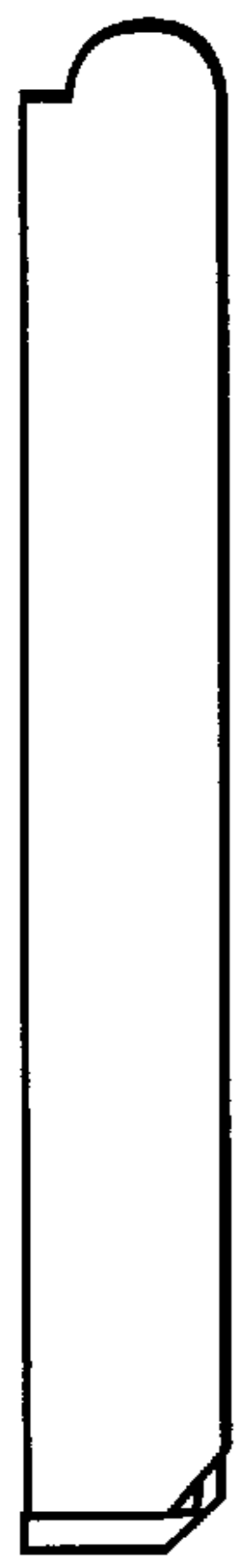


Fig. 1

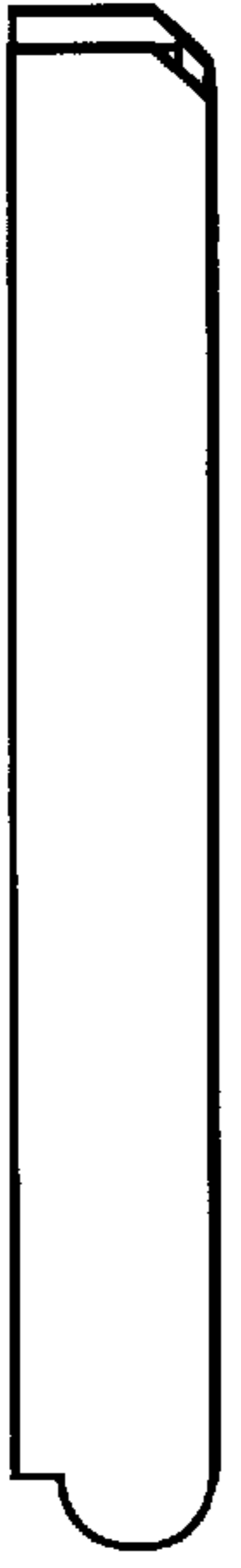


Fig. 2

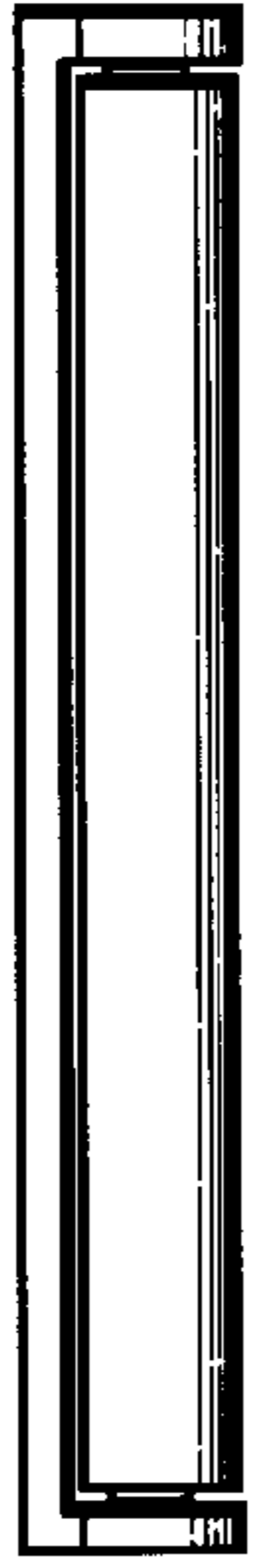


Fig. 3

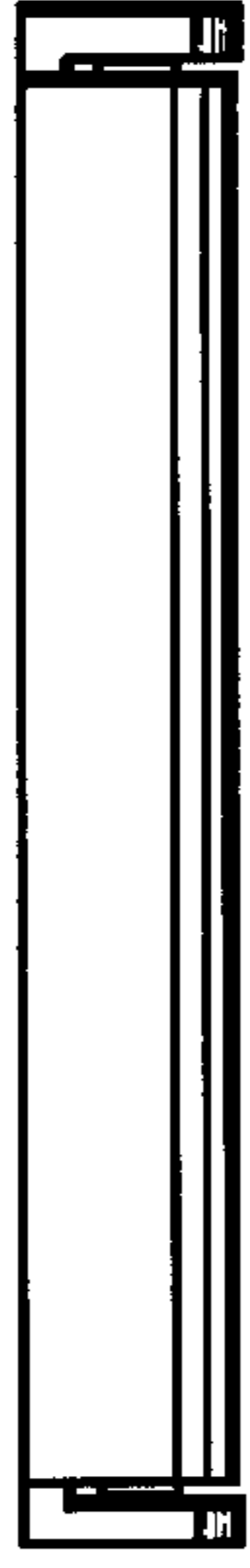


Fig. 4

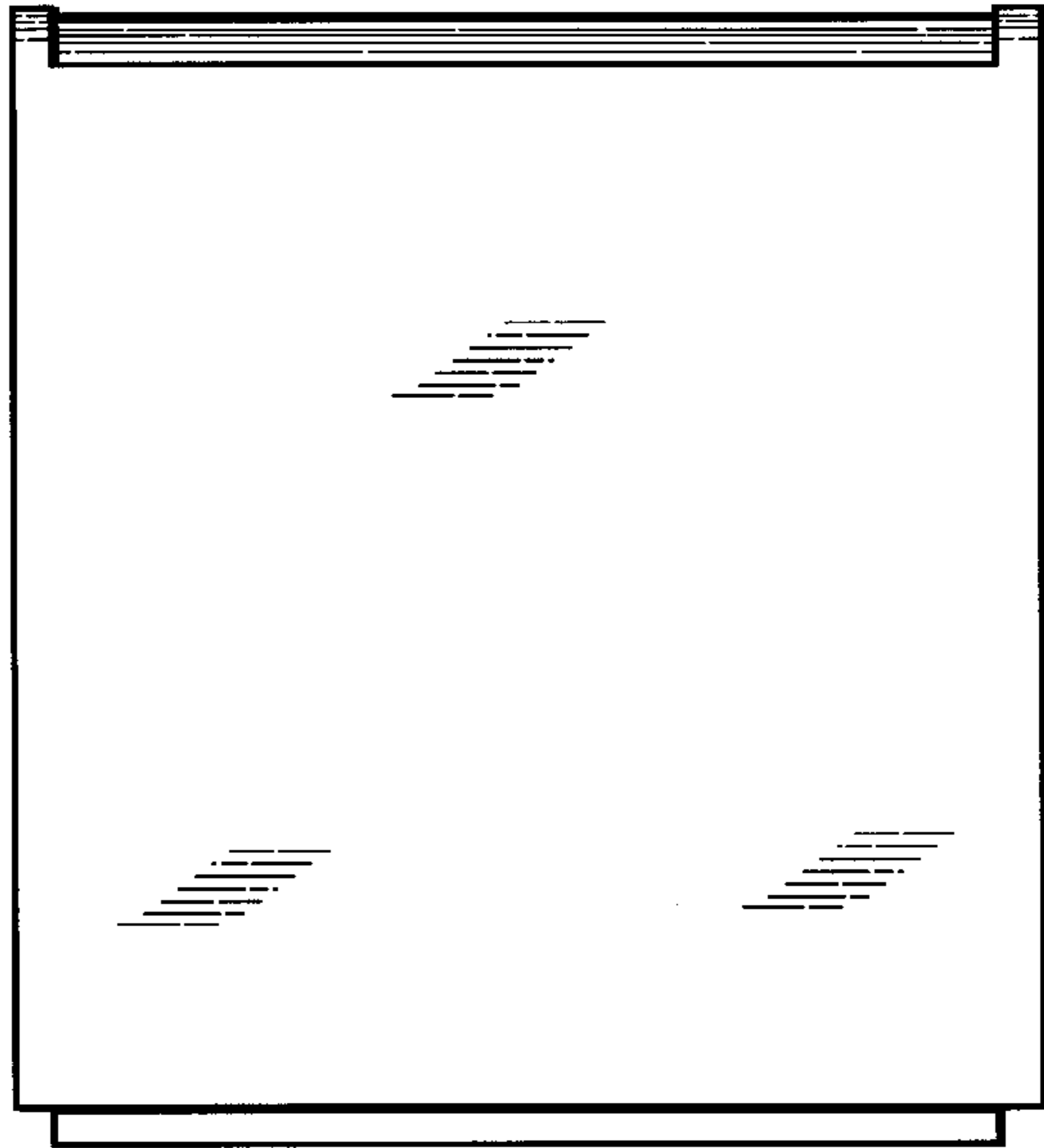


Fig. 5

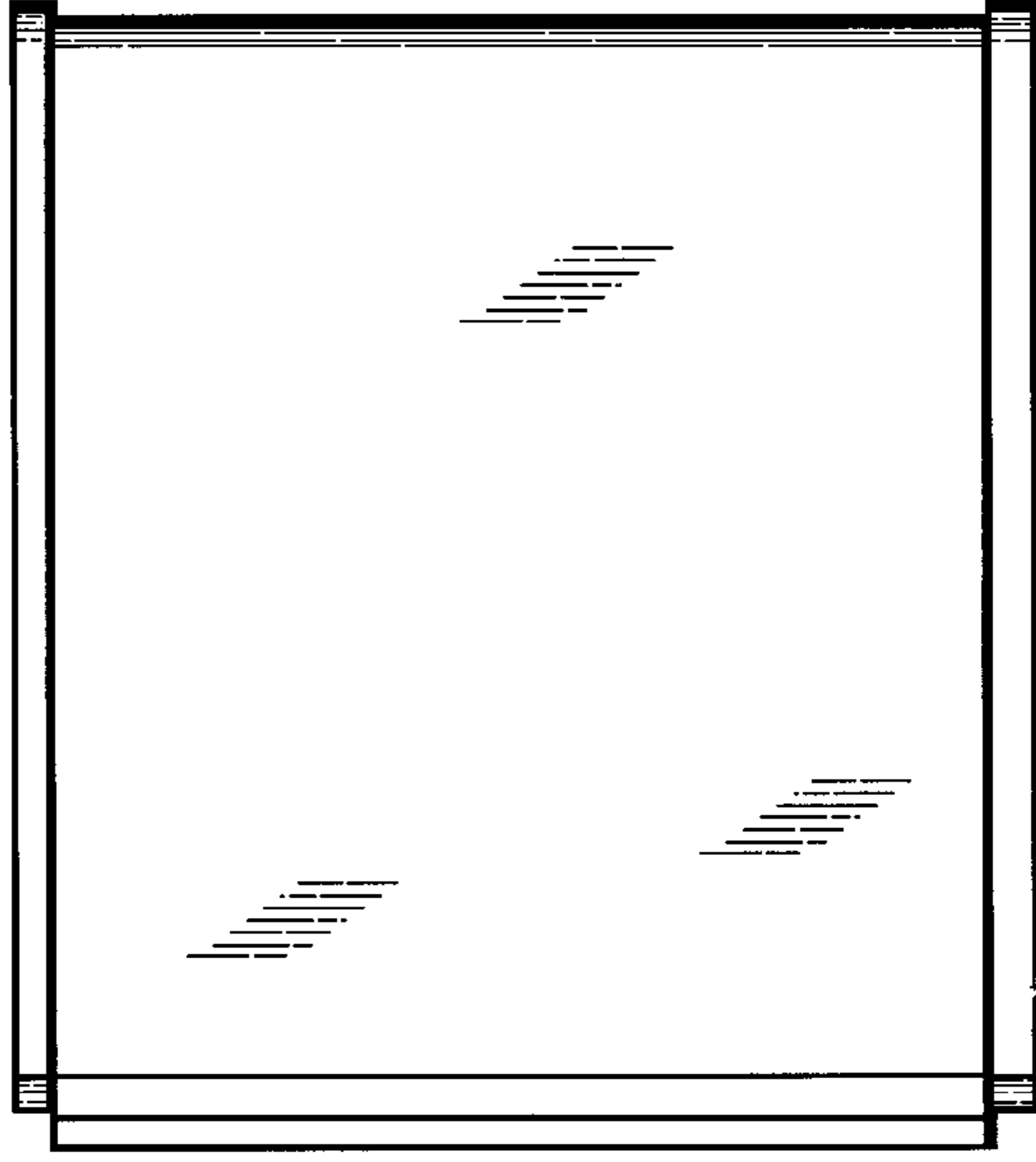


Fig. 6

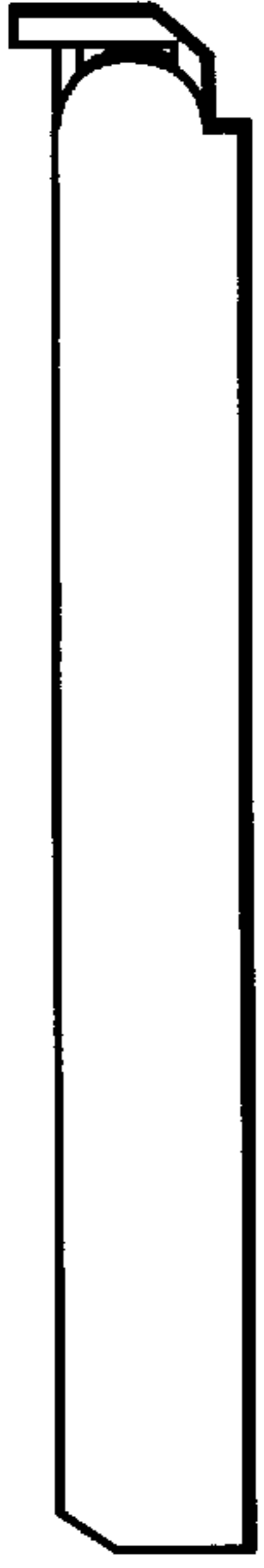


Fig. 7



Fig. 9

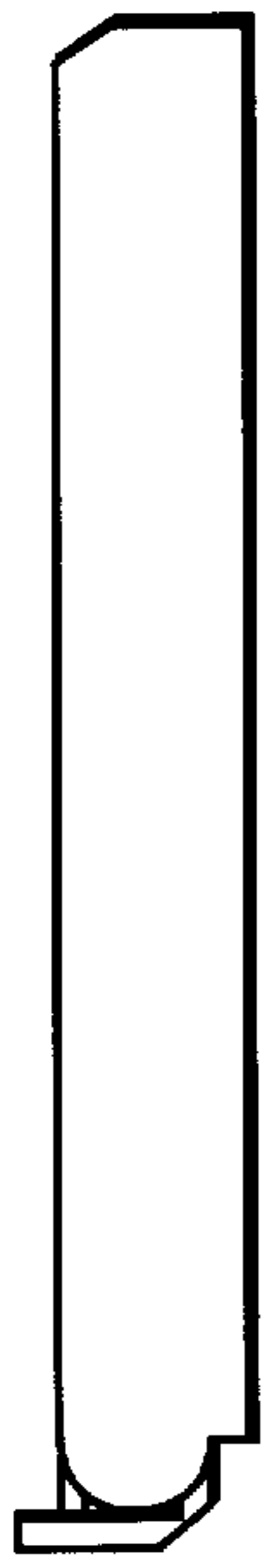


Fig. 8

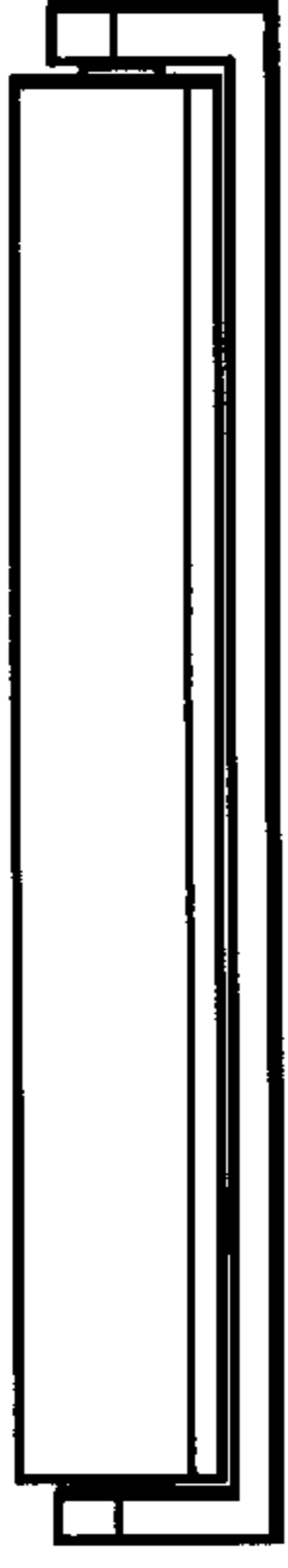


Fig. 10

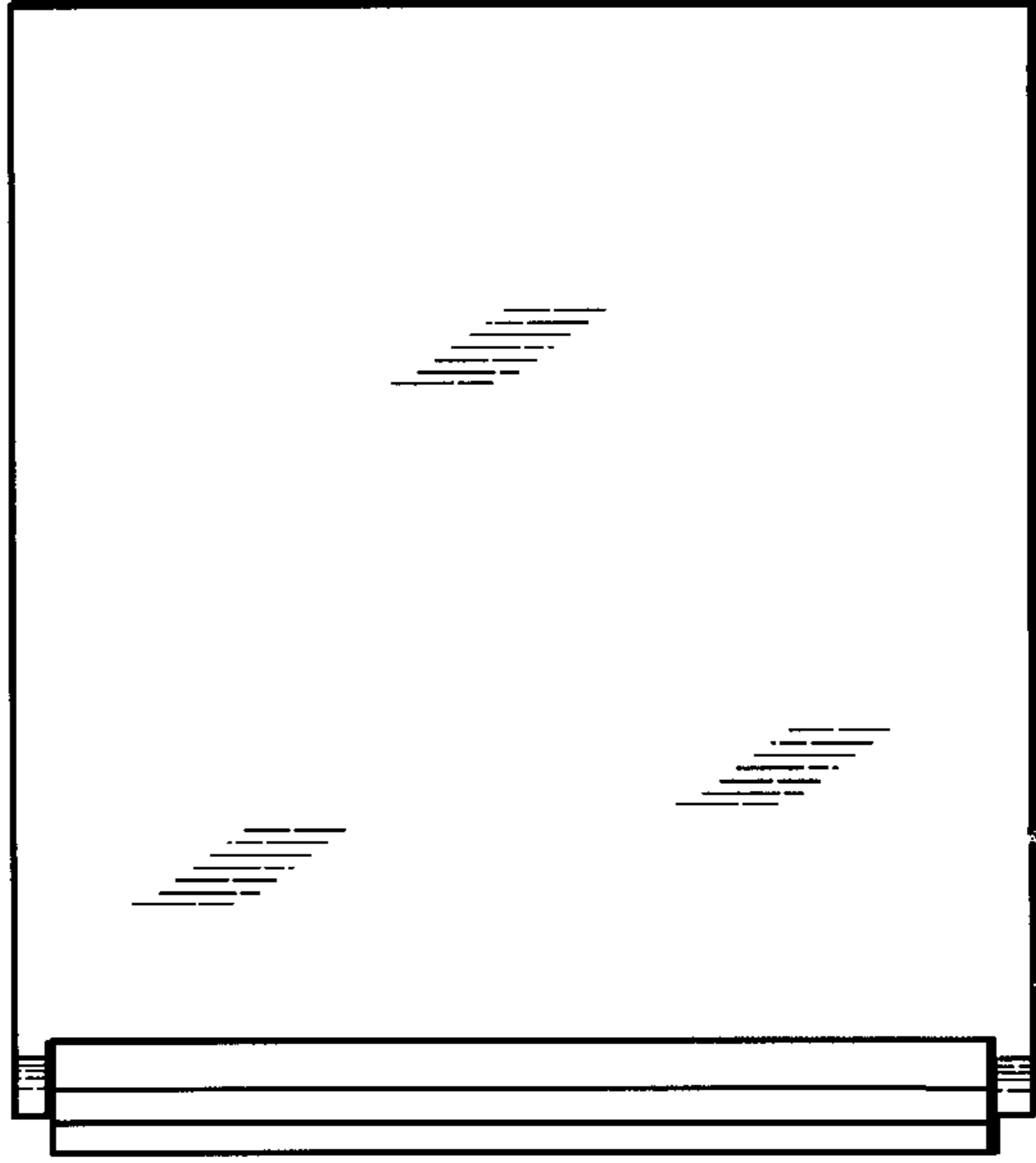


Fig. 11

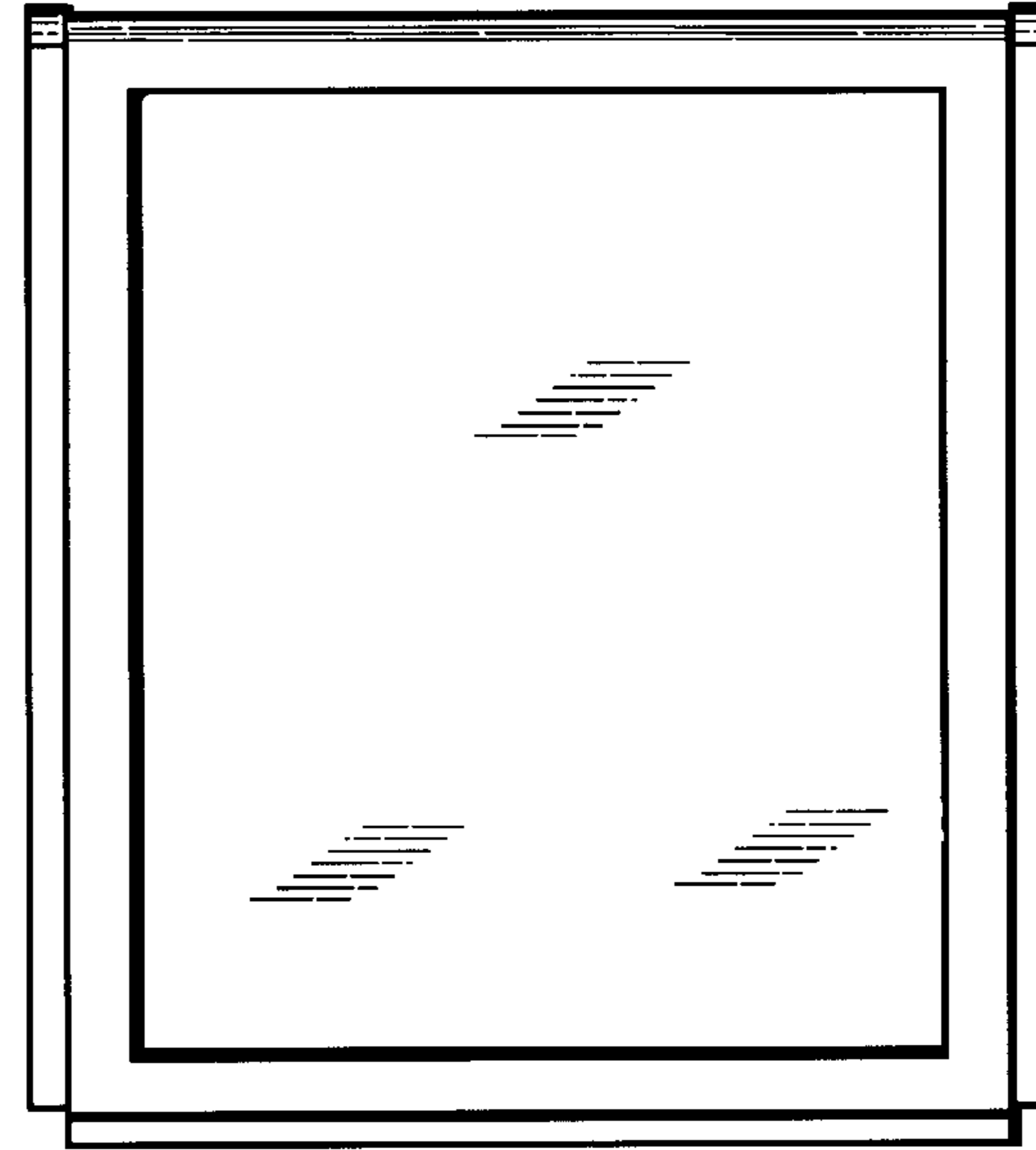


Fig. 12

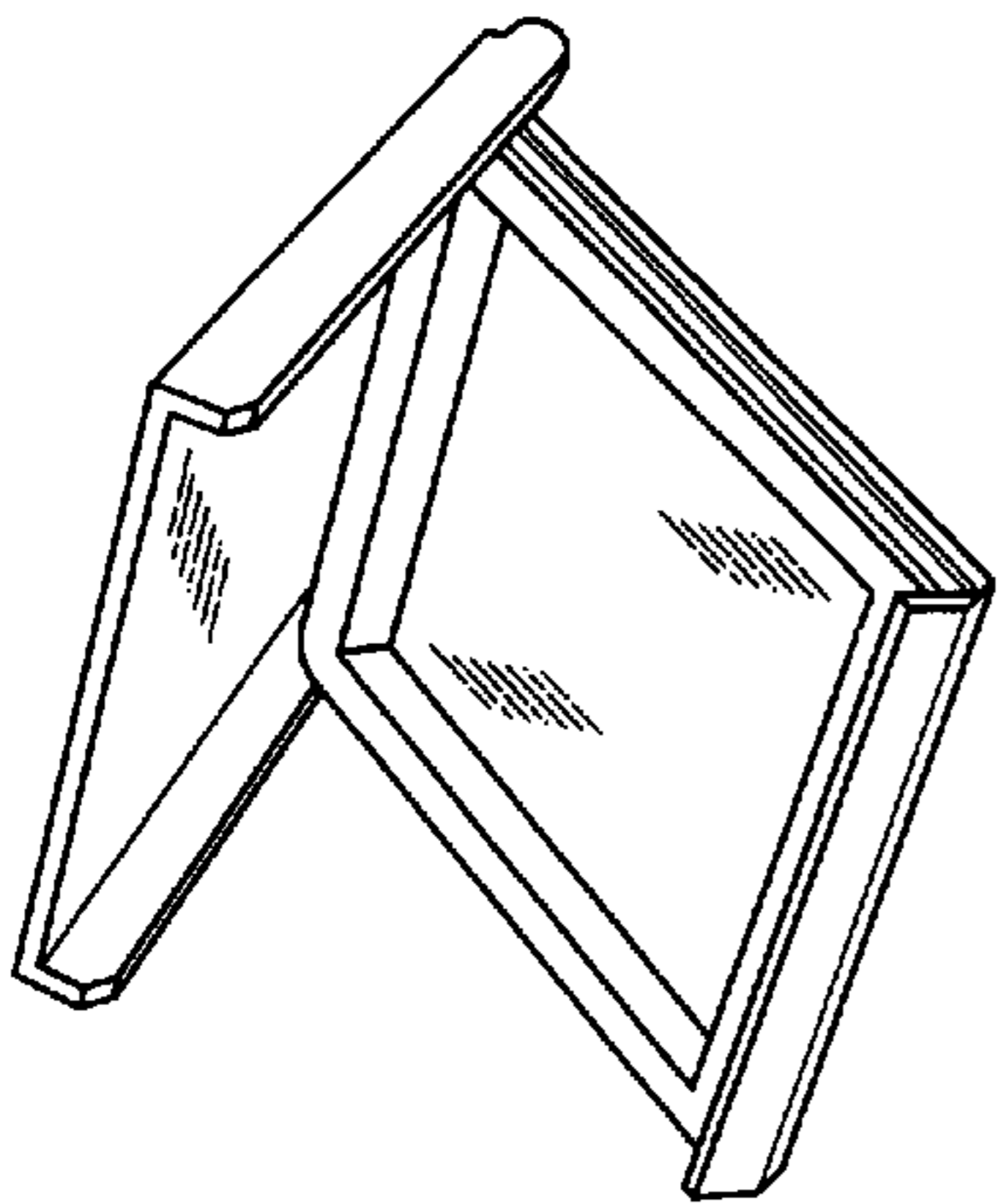


Fig. 13

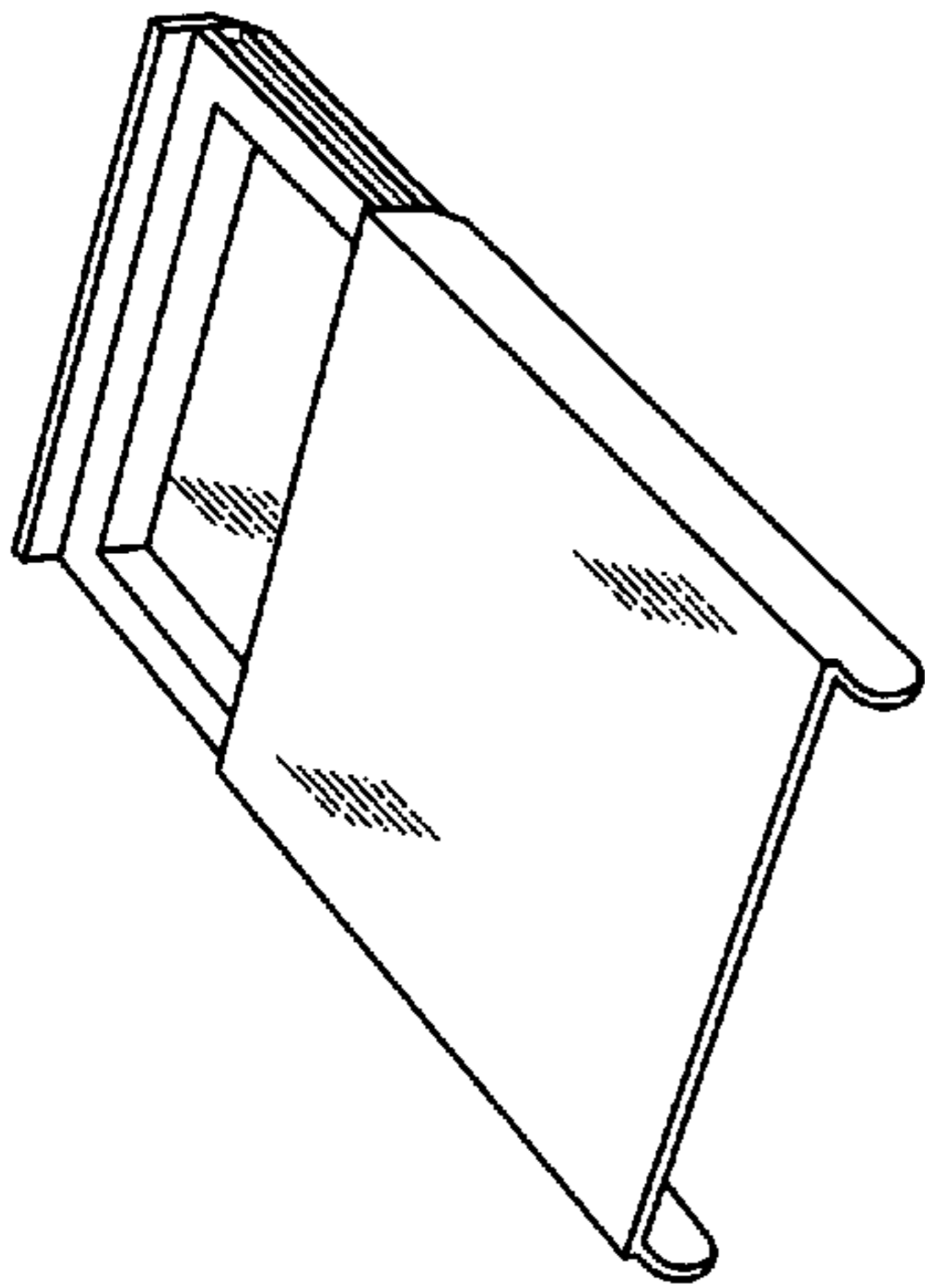


Fig. 14

Fig. 15

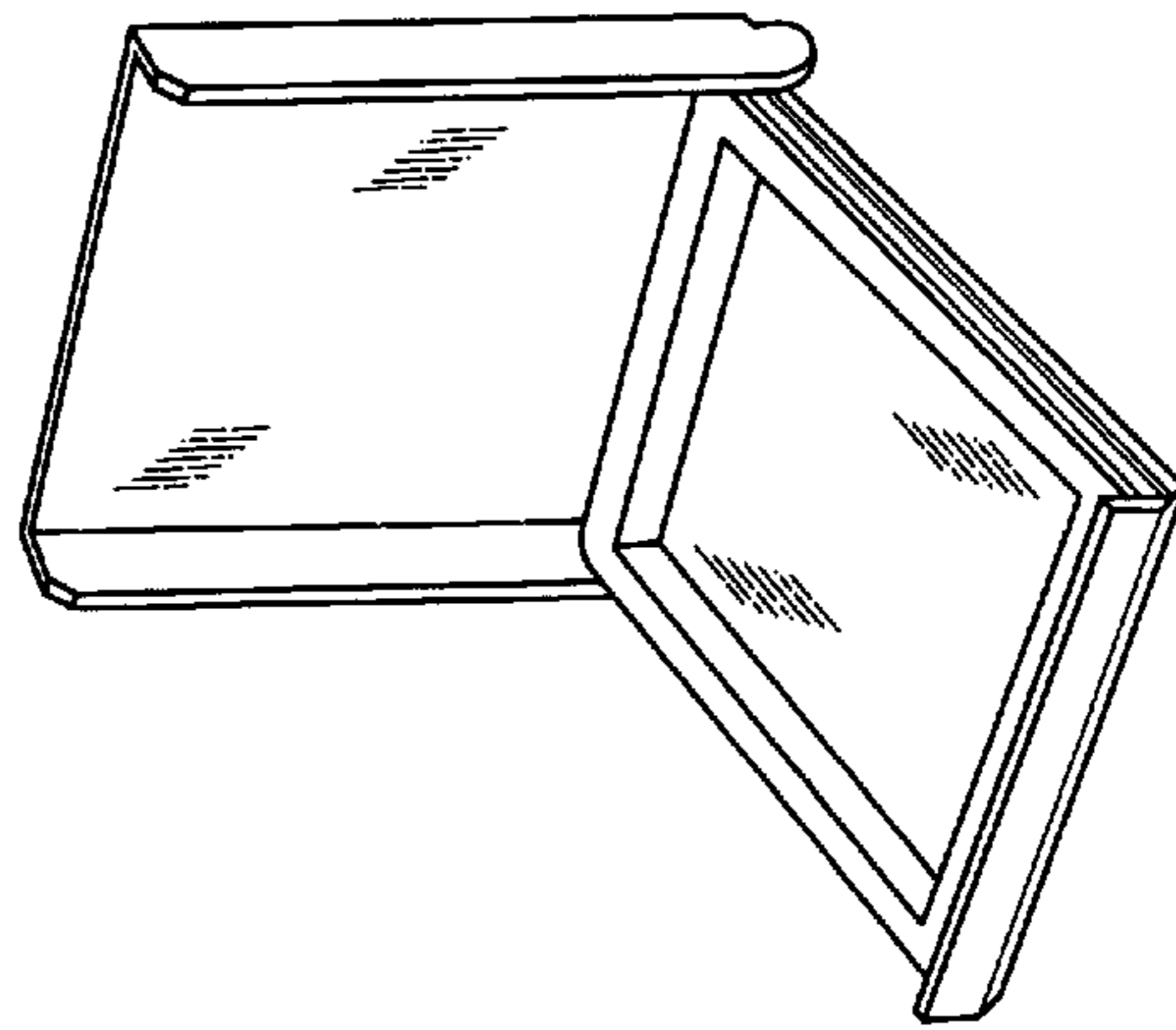


Fig. 16

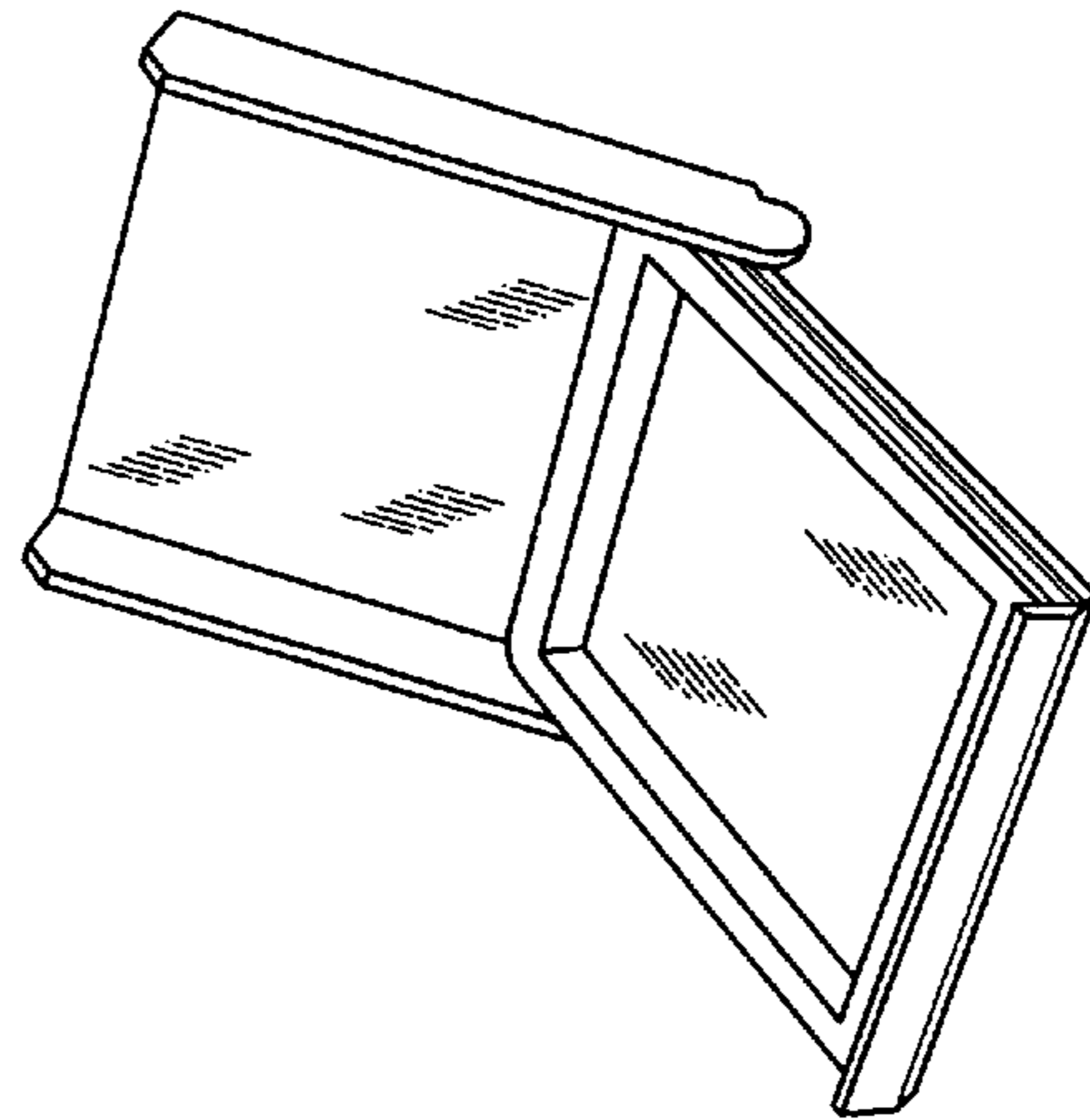


Fig. 17

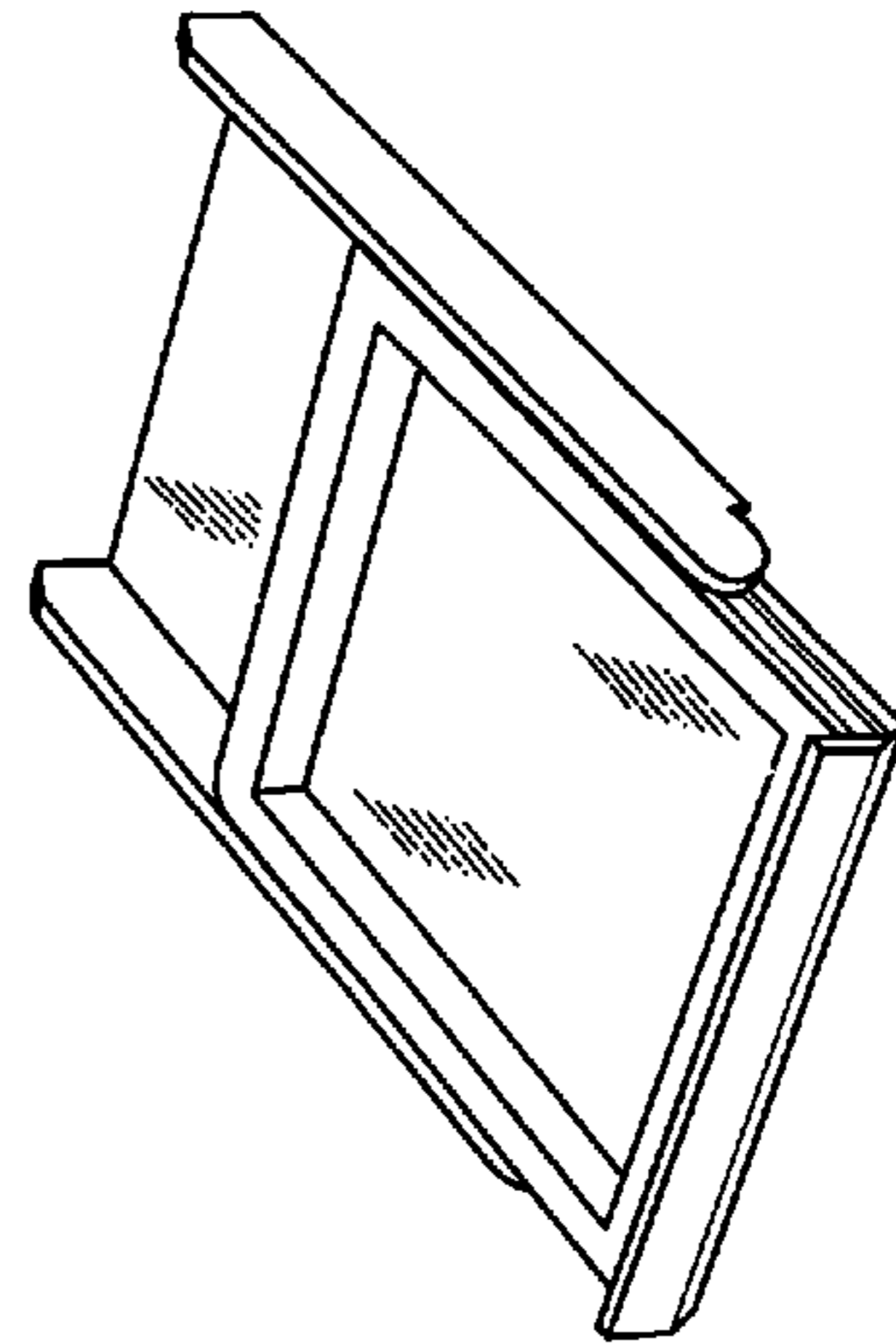


Fig. 18

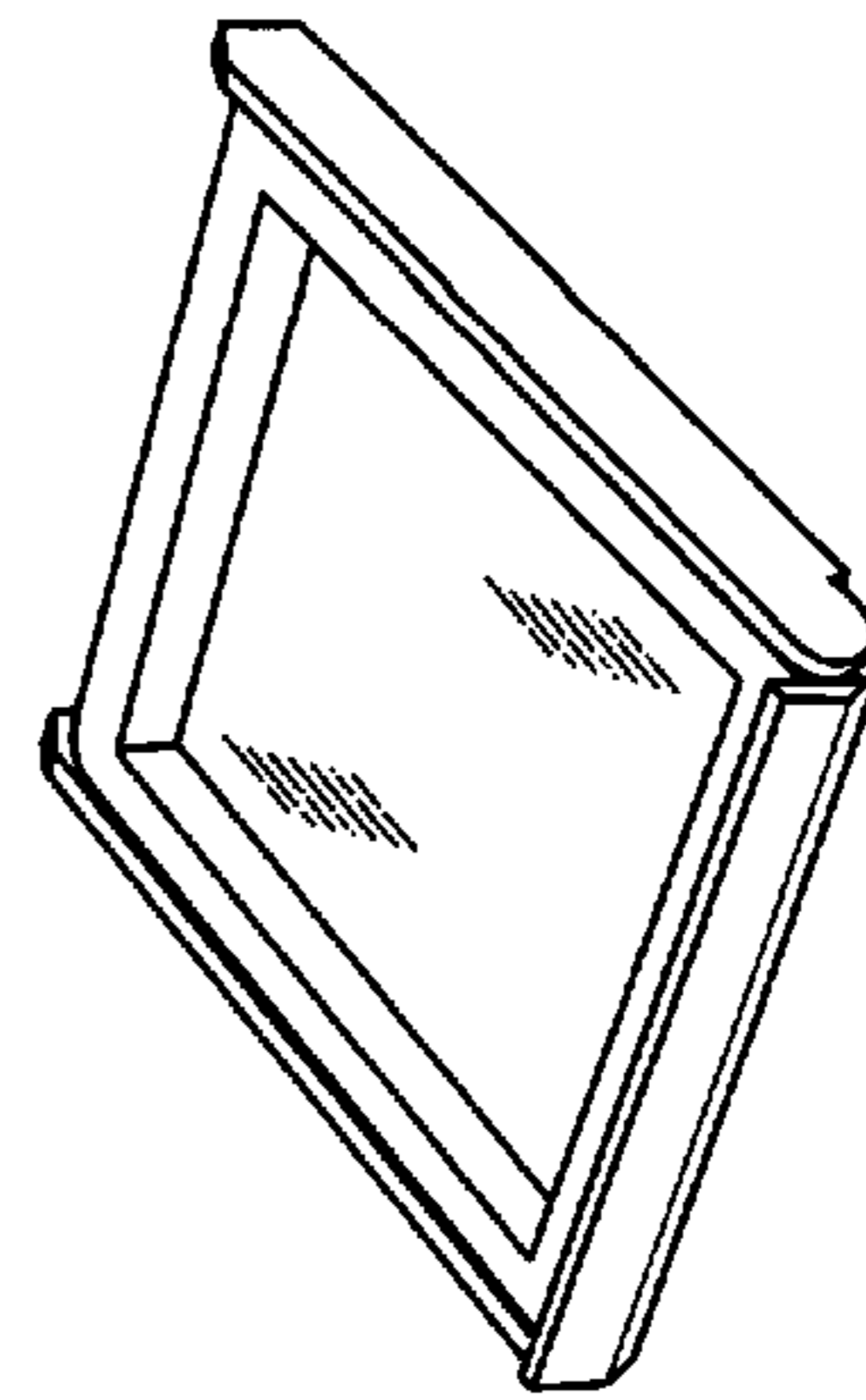


Fig. 19

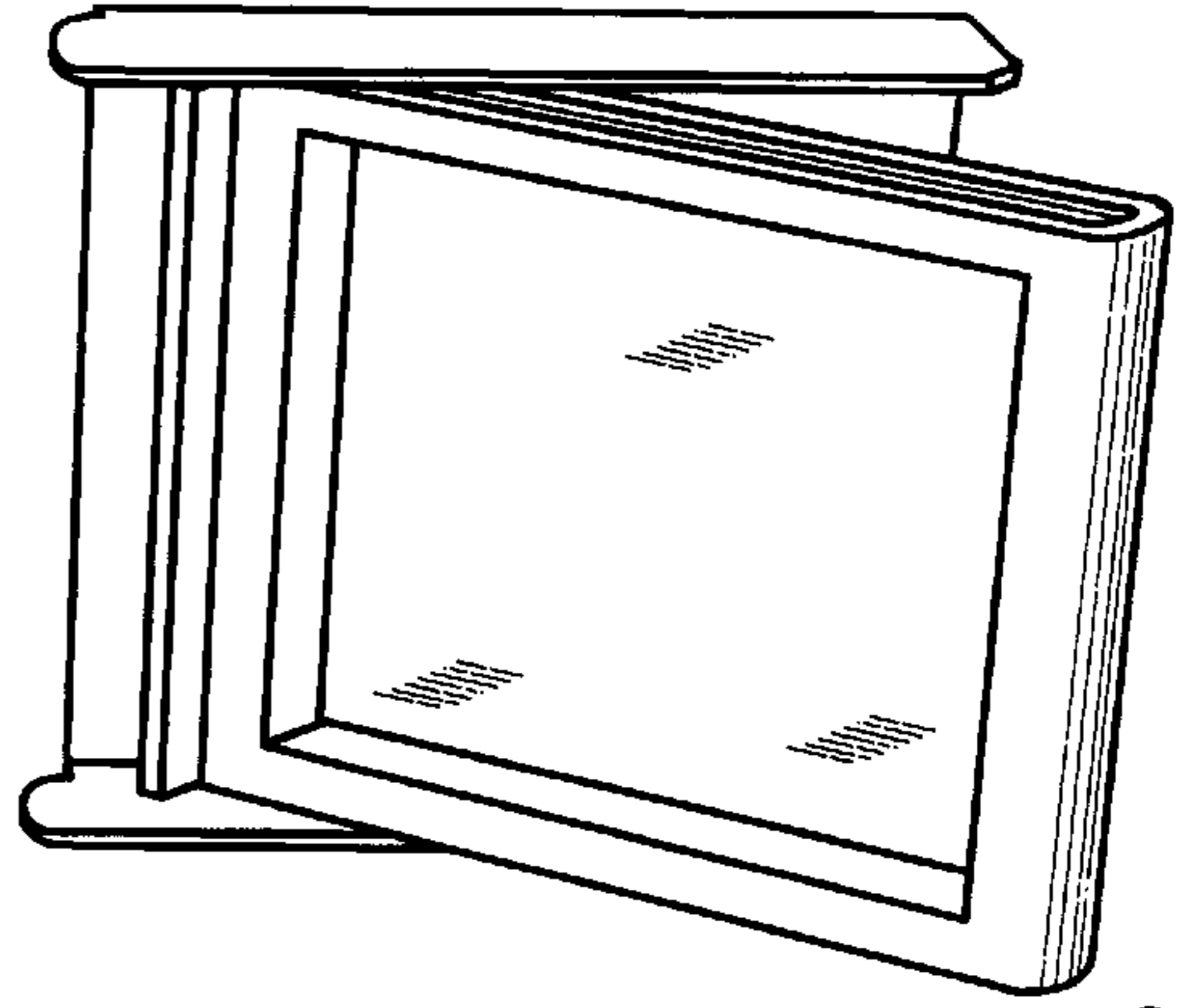


Fig. 22

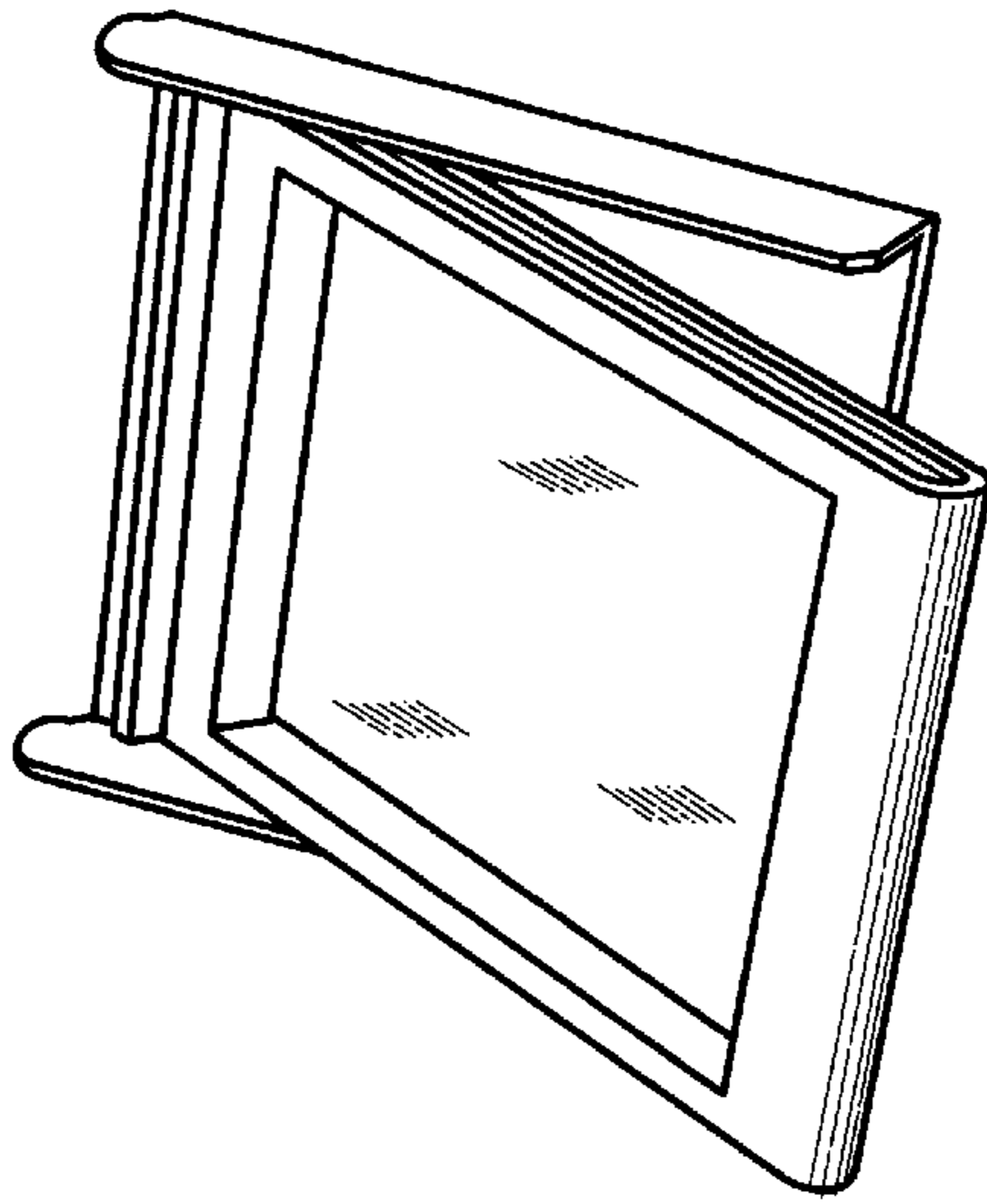


Fig. 21

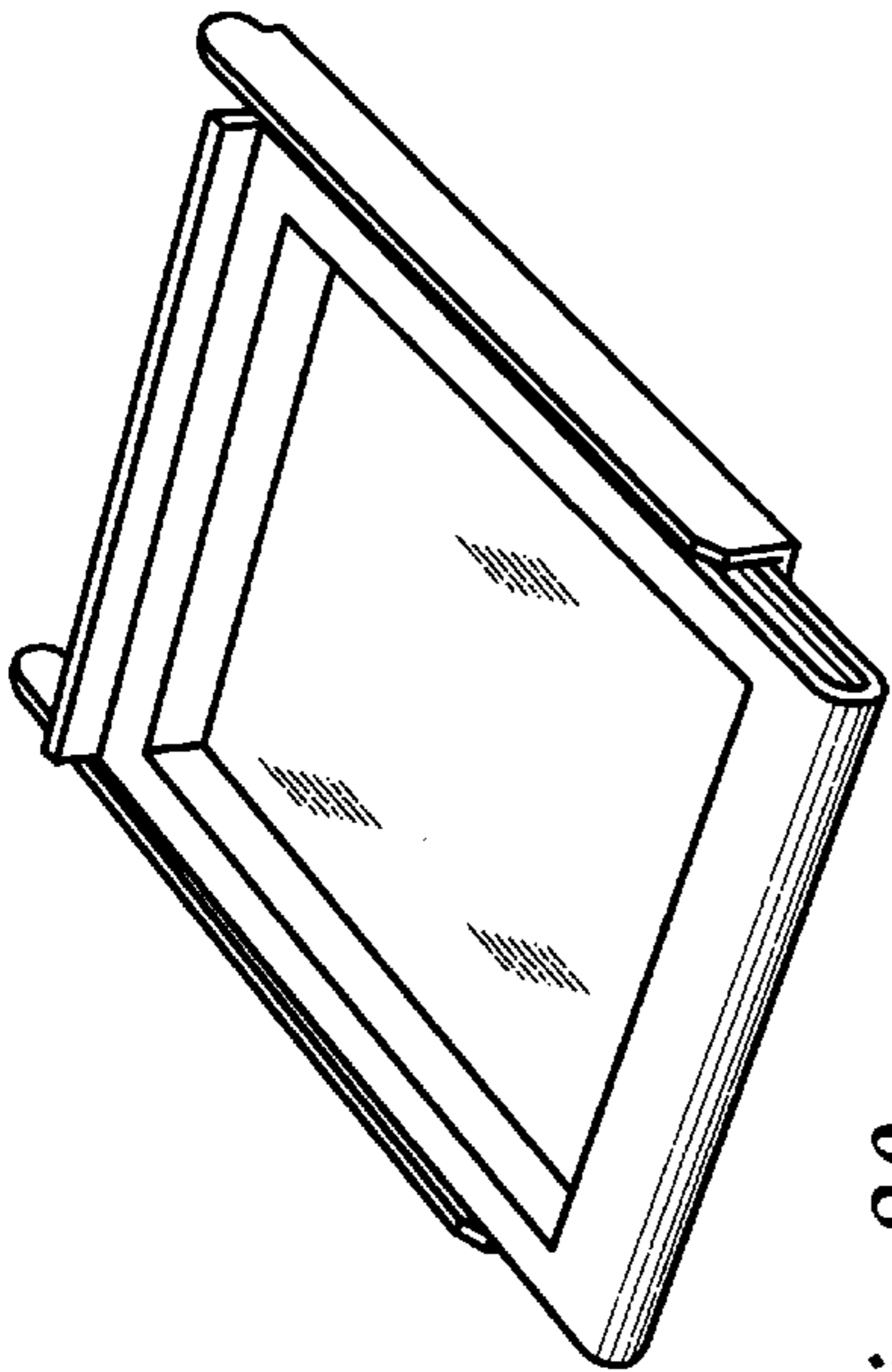


Fig. 20

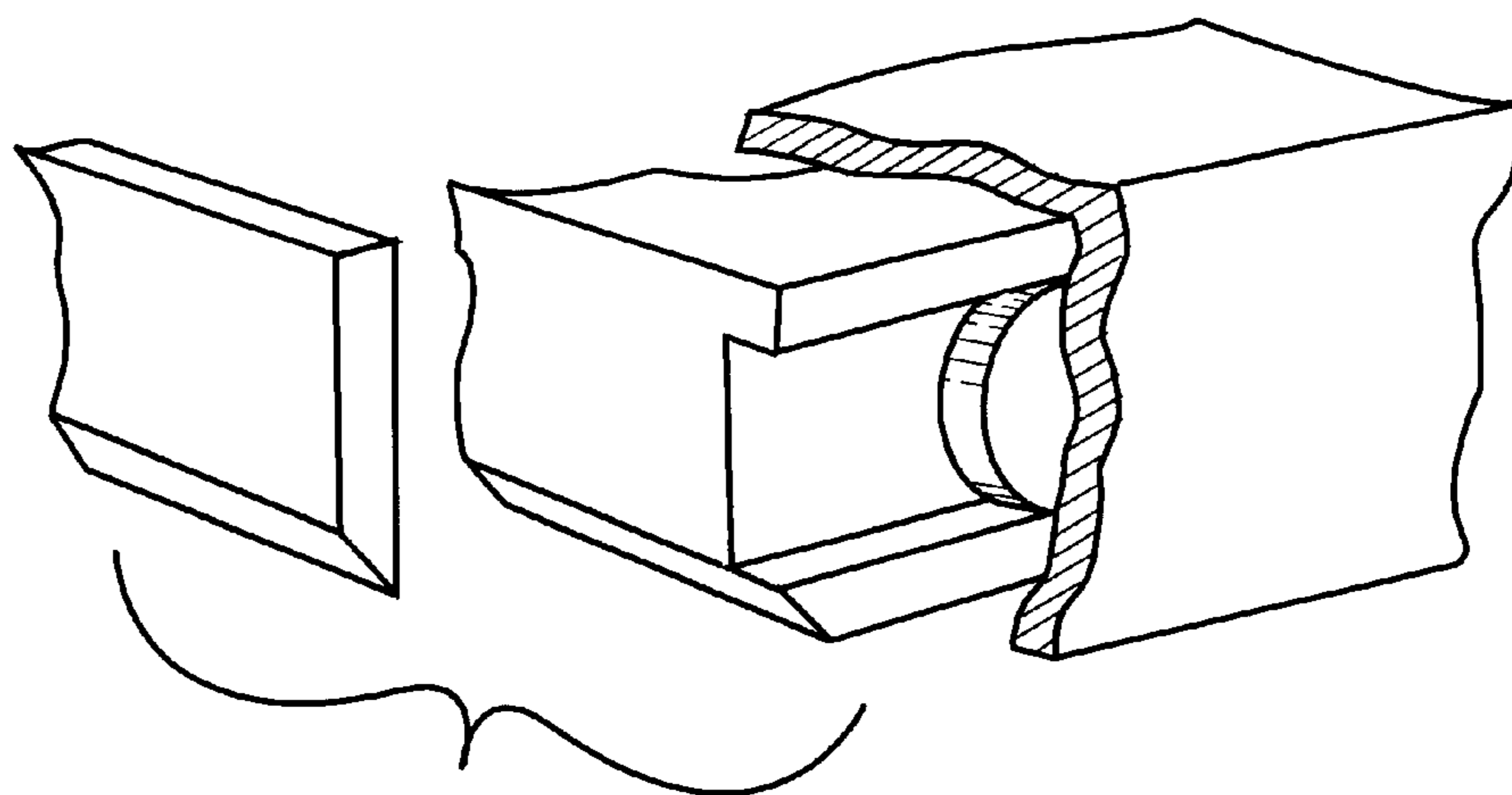


Fig. 23

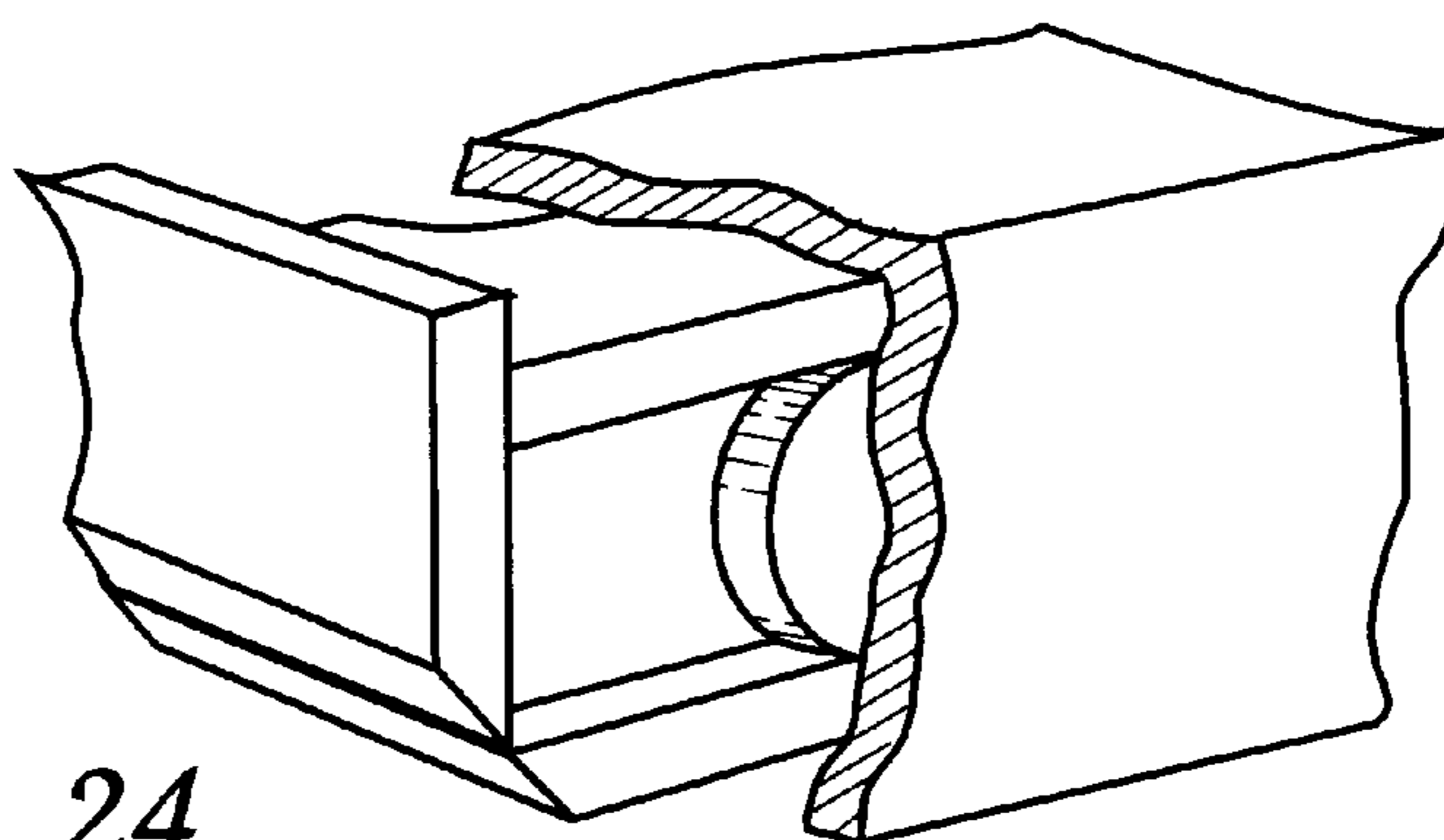


Fig. 24

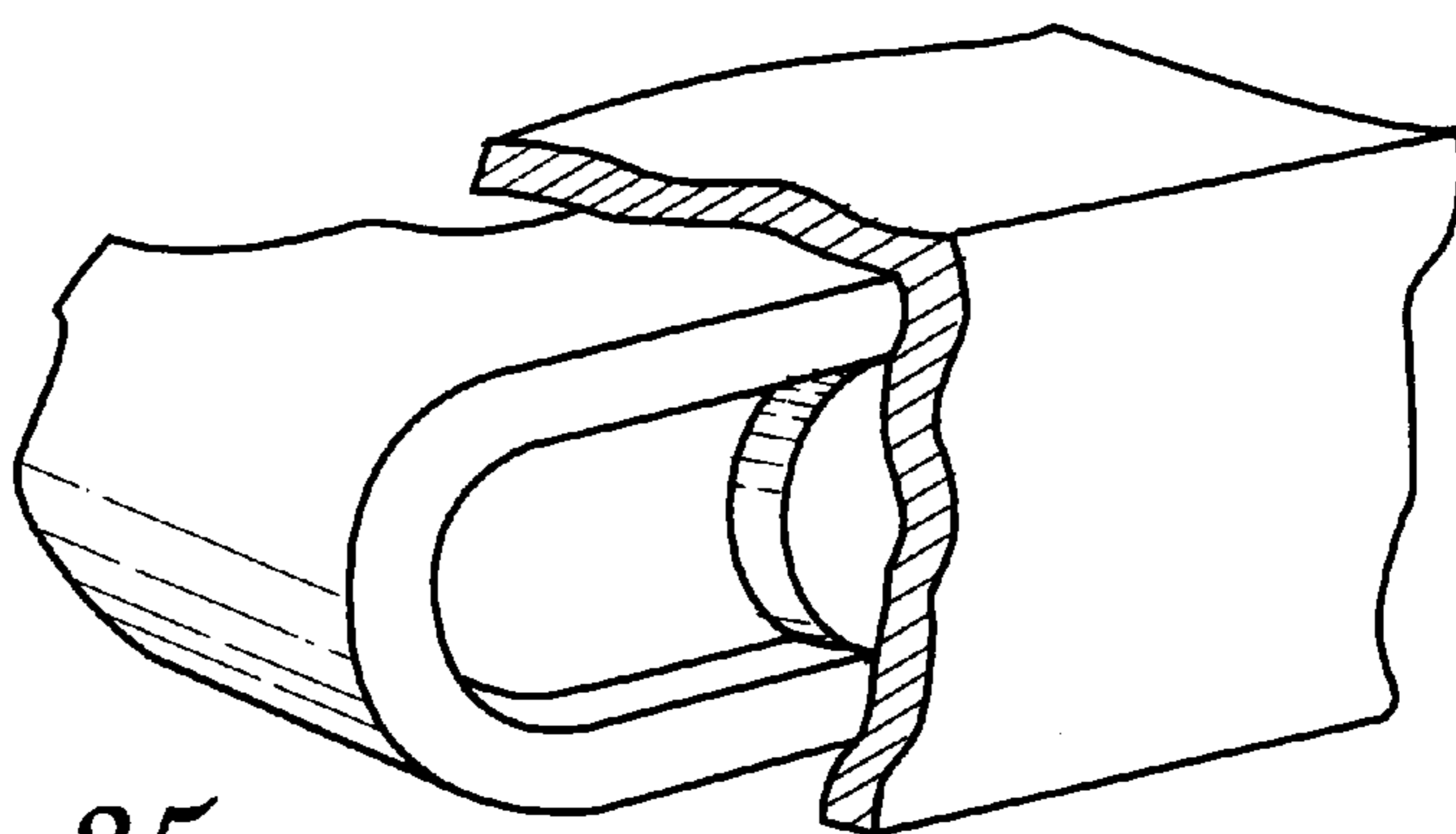


Fig. 25