



US00D436313S

(12) **United States Design Patent**
Joshua et al.

(10) **Patent No.:** **US D436,313 S**
(45) **Date of Patent:** **** Jan. 16, 2001**

(54) **PACKAGE FOR DISPLAYING A PRODUCT**

(75) Inventors: **John Joshua; Paul Schiebl**, both of Houston, TX (US)

(73) Assignee: **Immudyne, Inc.**, Houston, TX (US)

(**) Term: **14 Years**

(21) Appl. No.: **29/103,225**

(22) Filed: **Apr. 9, 1999**

(51) **LOC (7) Cl.** **09-03**

(52) **U.S. Cl.** **D9/341; D9/418; D9/432**

(58) **Field of Search** D9/337, 341, 346, D9/414, 416, 418, 422, 430-433; 206/564, 589, 590, 775, 823; 229/117.16, 122

(56) **References Cited**

U.S. PATENT DOCUMENTS

D. 265,886	*	8/1982	Caputo	D9/418
1,932,705	*	10/1933	Menten	206/418
3,003,620	*	10/1961	Srofe	206/780
3,089,631	*	5/1963	Tyrseck	206/589
4,169,539	*	10/1979	Price	229/117.16
5,172,806	*	12/1992	Mickelberg	206/756
5,615,795	*	4/1997	Tipps	206/589
5,765,693	*	6/1998	Gnadt et al.	206/823
5,813,523	*	9/1998	Gnadt et al.	206/590

* cited by examiner

Primary Examiner—Ted Shooman

Assistant Examiner—Carol Rademaker

(74) *Attorney, Agent, or Firm*—Thomas Fitting

(57) **CLAIM**

The ornamental design for a package for displaying a product, as shown and described.

DESCRIPTION

FIG. 1 is a front perspective of a package for displaying a product showing our new design which includes an external container portion and an insert portion;

FIG. 2 is a perspective view of the insert portion of FIG. 1, shown separately for clarity of illustration;

FIG. 3 is a perspective view of the insert portion of FIG. 1, shown separately for clarity of illustration and without the environment shown in FIG. 2;

FIG. 4 is a front view of the insert portion of FIG. 1, shown in unfolded condition;

FIG. 5 is a back view of the insert portion of FIG. 1, shown in unfolded condition;

FIG. 6 is an inside view of the external container portion of FIG. 1, shown in unfolded condition;

FIG. 7 is an outside view of the external container portion of FIG. 1, shown in unfolded condition;

FIG. 8 is a front view of the external container portion of FIG. 1;

FIG. 9 is a back view of the external container portion of FIG. 1;

FIG. 10 is a right side view of the external container portion of FIG. 1;

FIG. 11 is a left side view of the external container portion of FIG. 1;

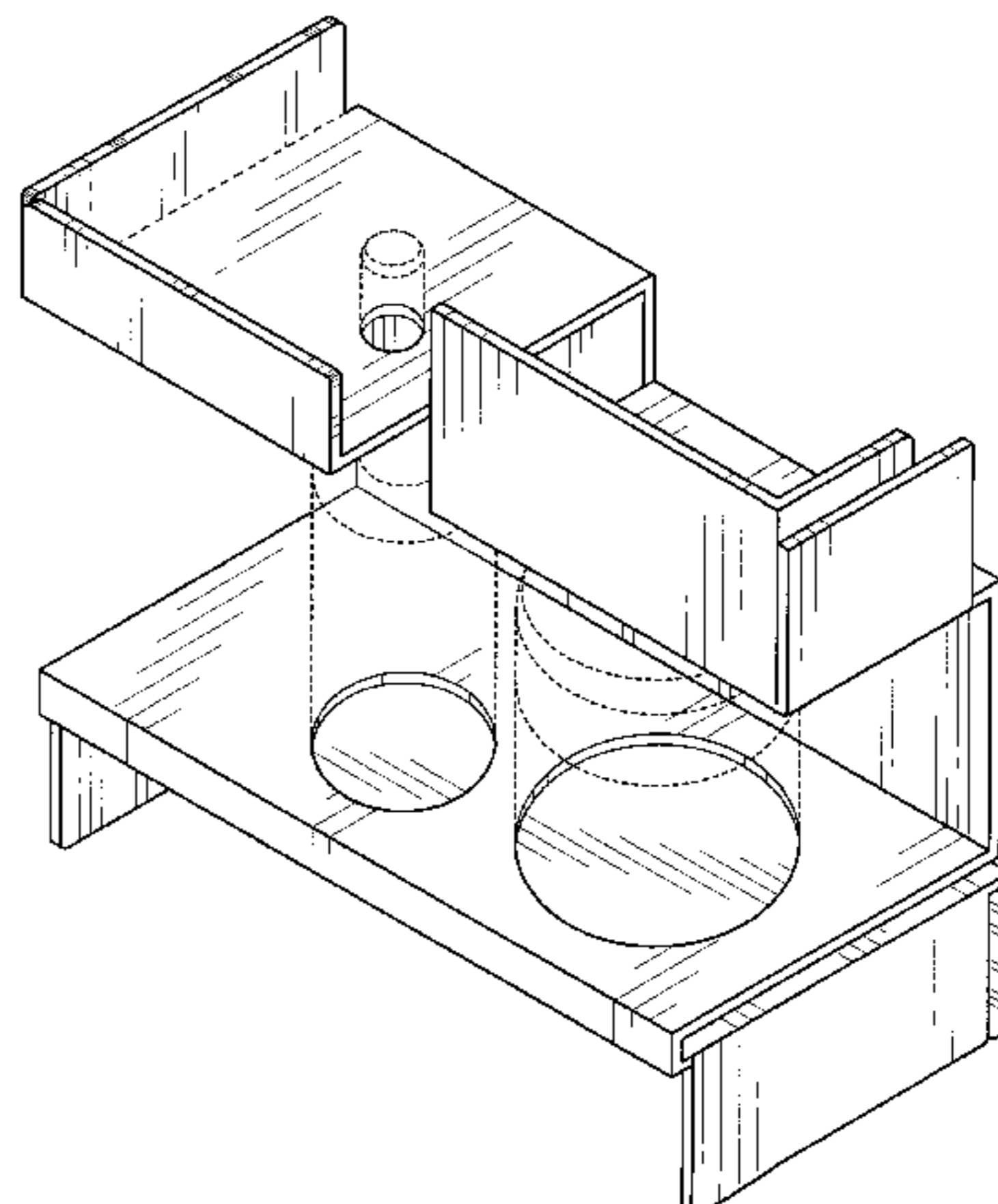
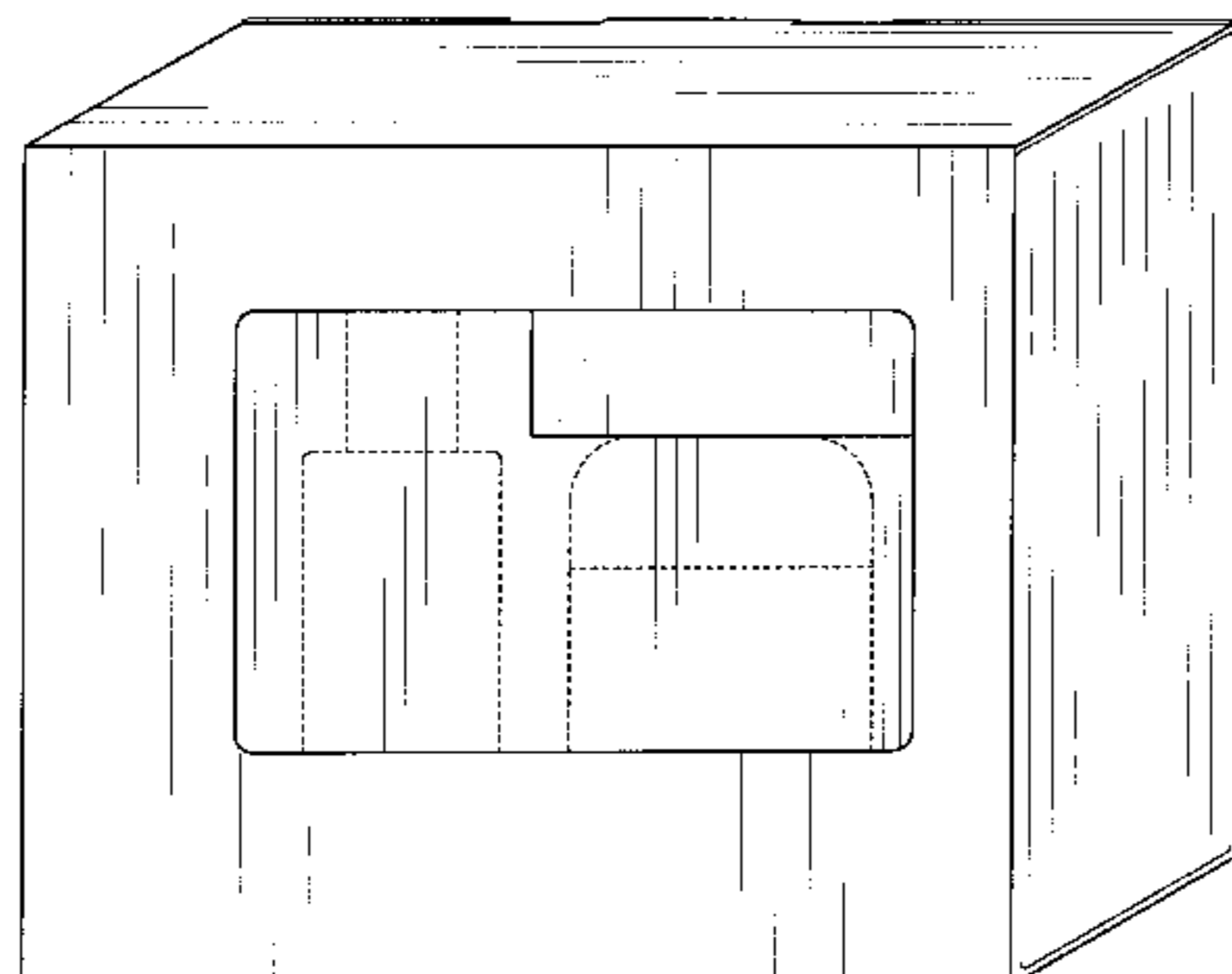
FIG. 12 is a top view of the external container portion of FIG. 1; and,

FIG. 13 is a bottom view of the external container portion of FIG. 1.

The broken line showing of environment shown in FIGS. 1 and 2 is for illustrative purposes only and forms no part of the claimed design.

The broken line showing in FIGS. 4-7 & 9 represent fold lines.

1 Claim, 7 Drawing Sheets



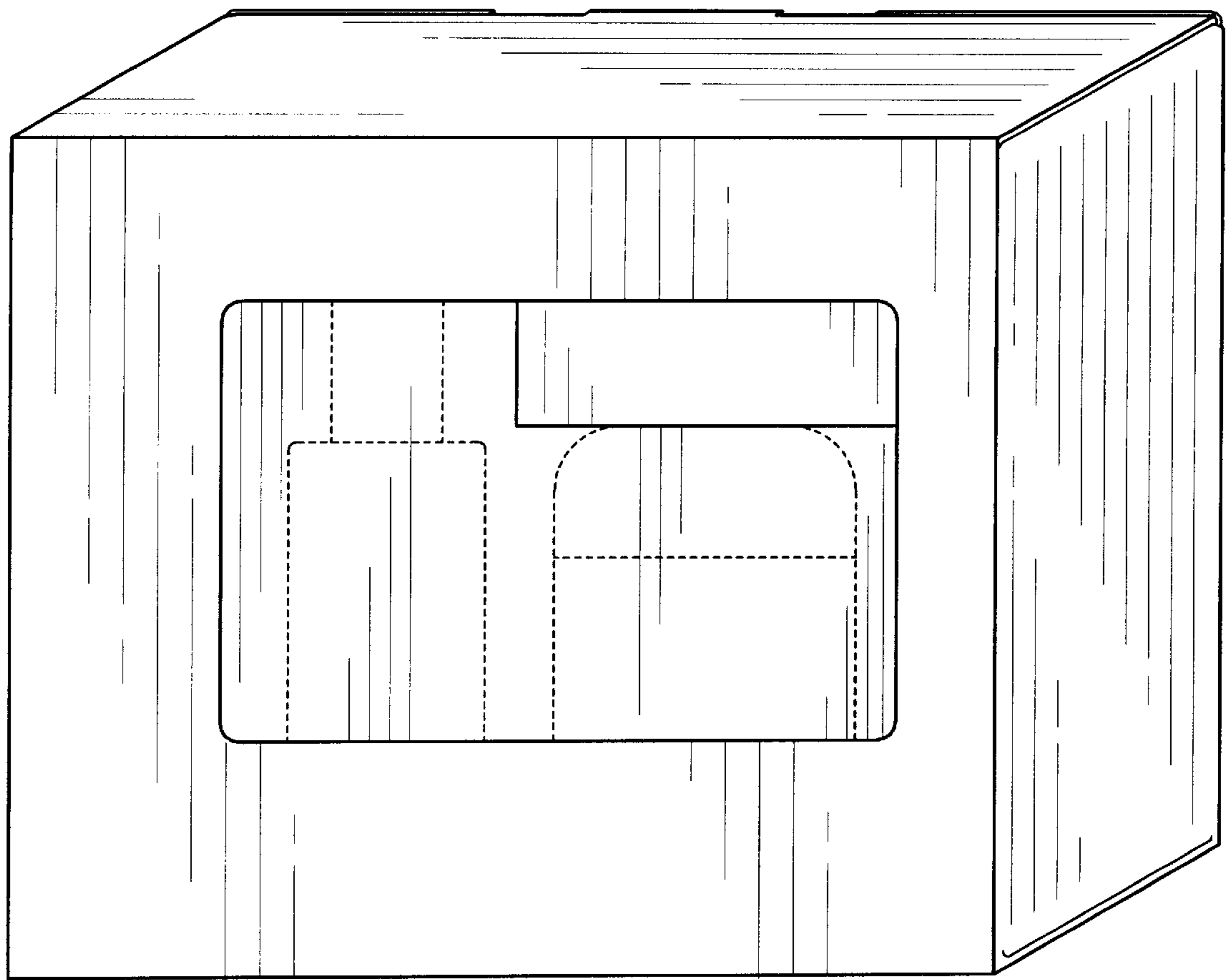


FIG. 1

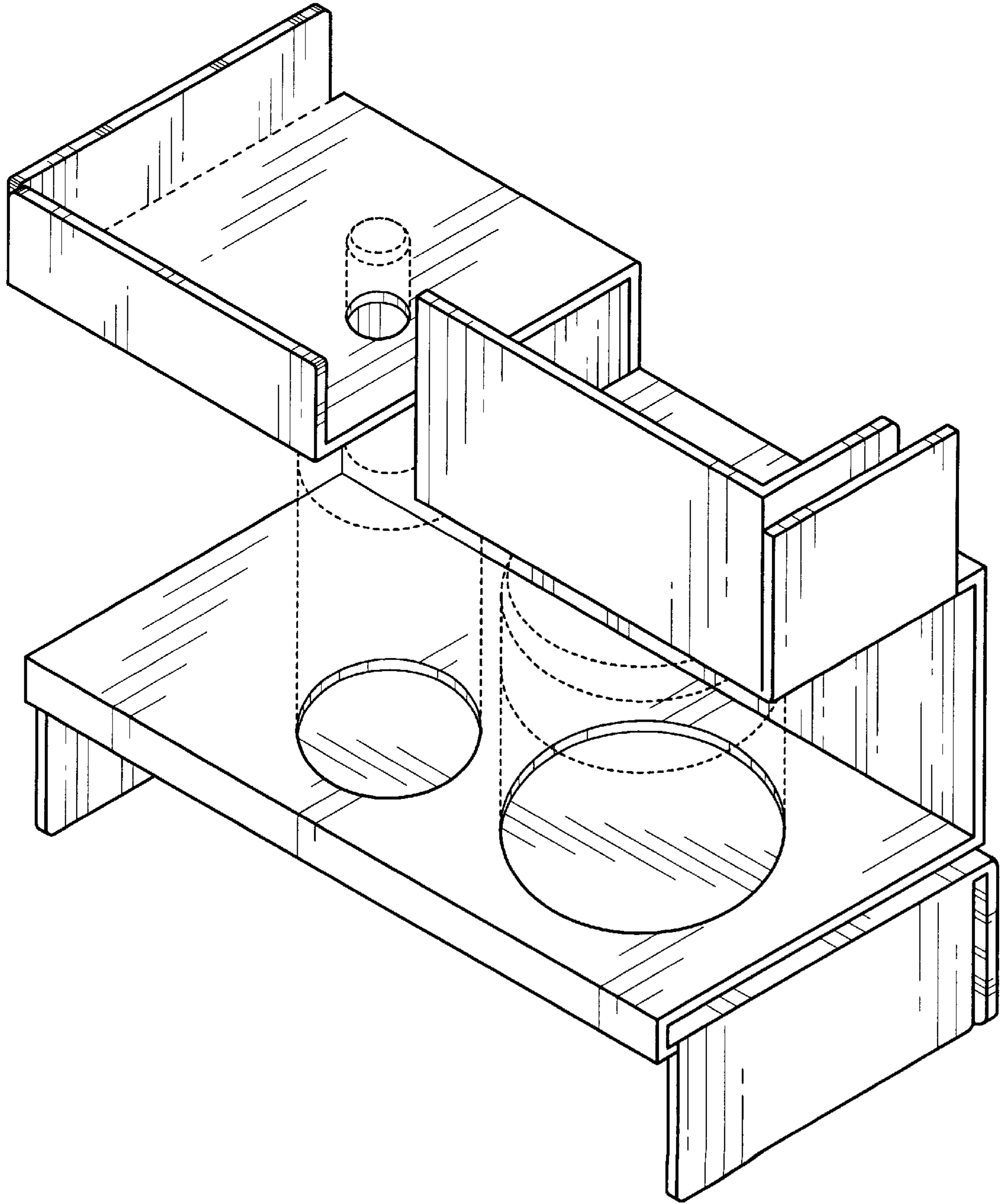


FIG. 2

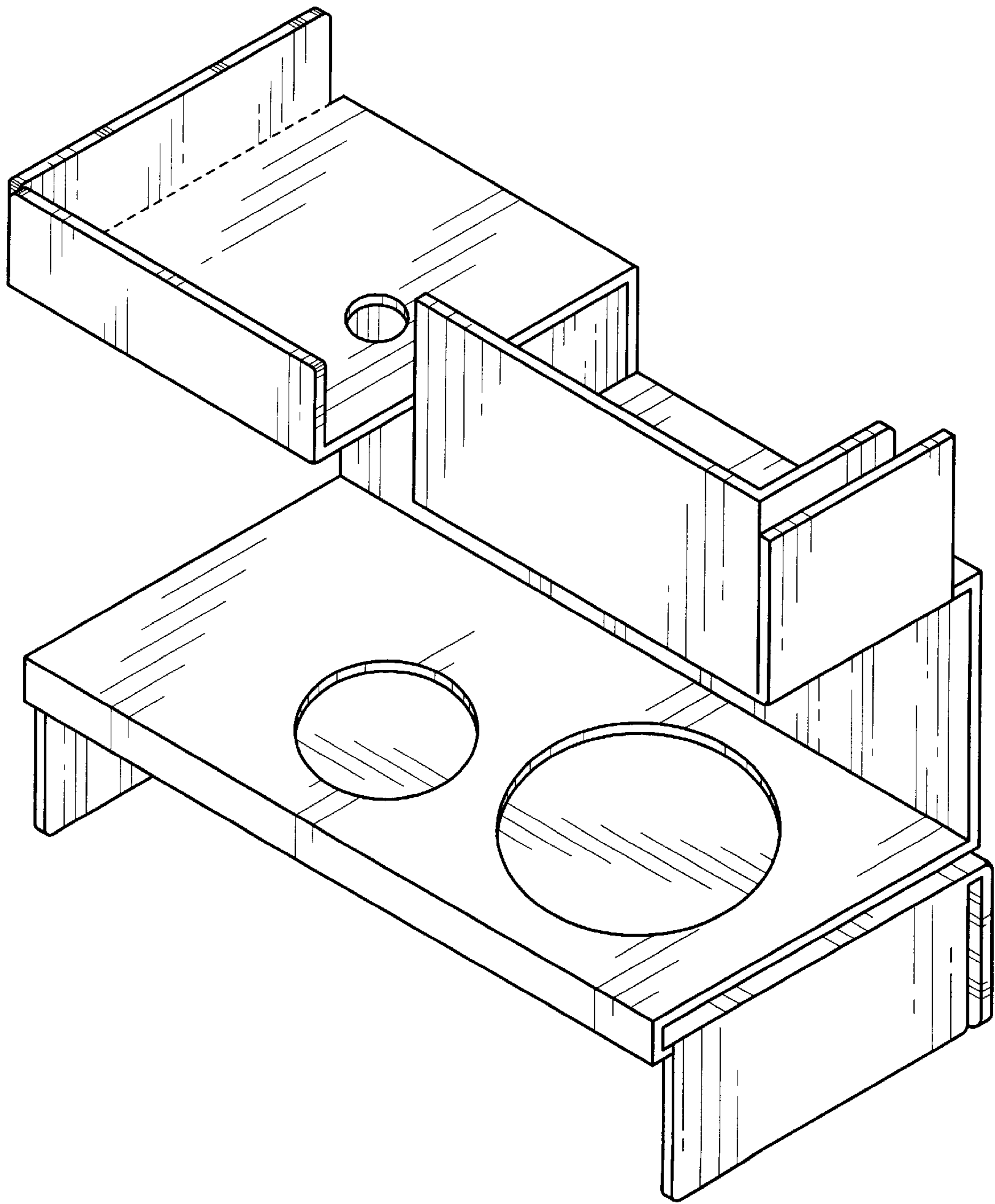


FIG. 3

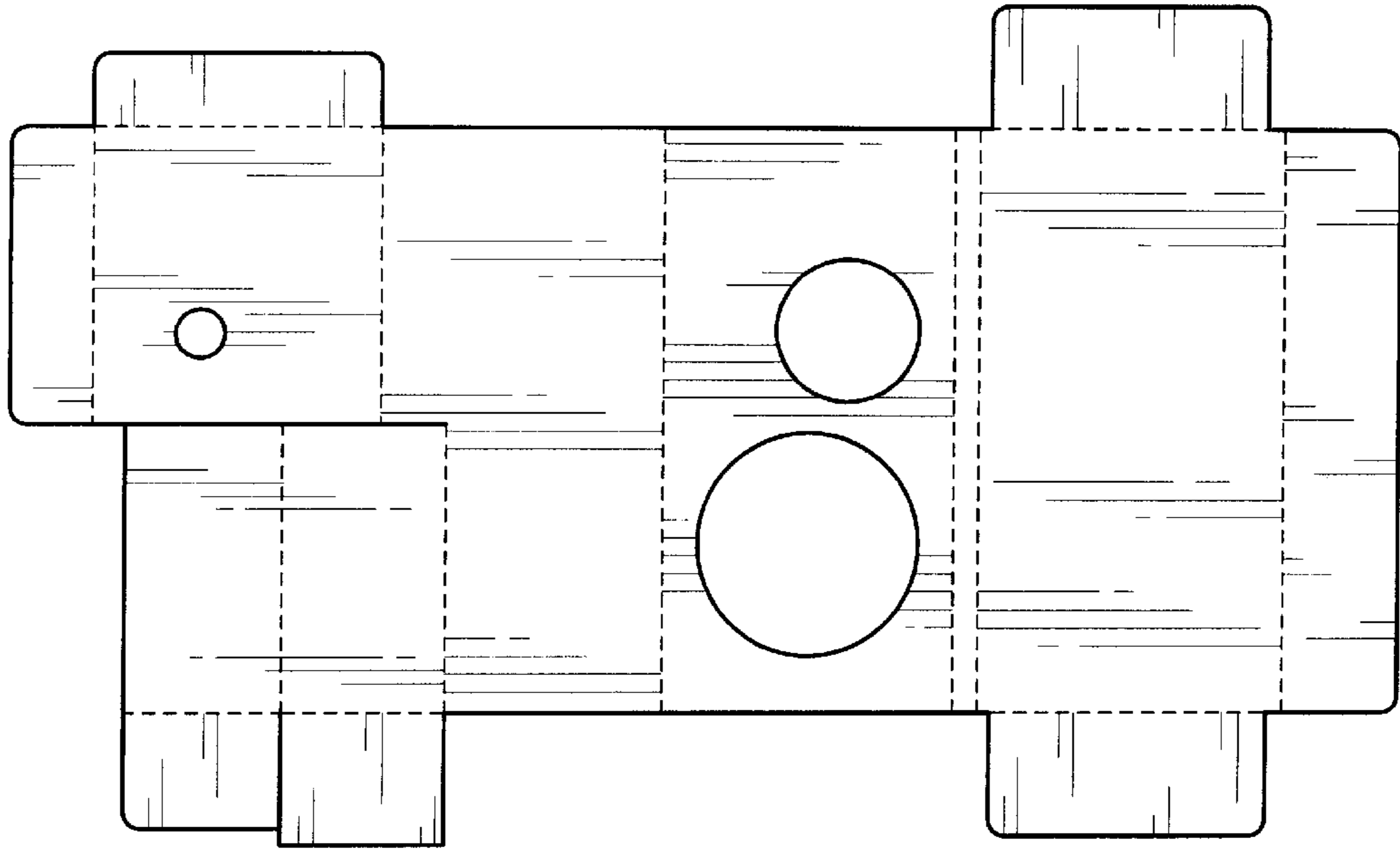


FIG. 5

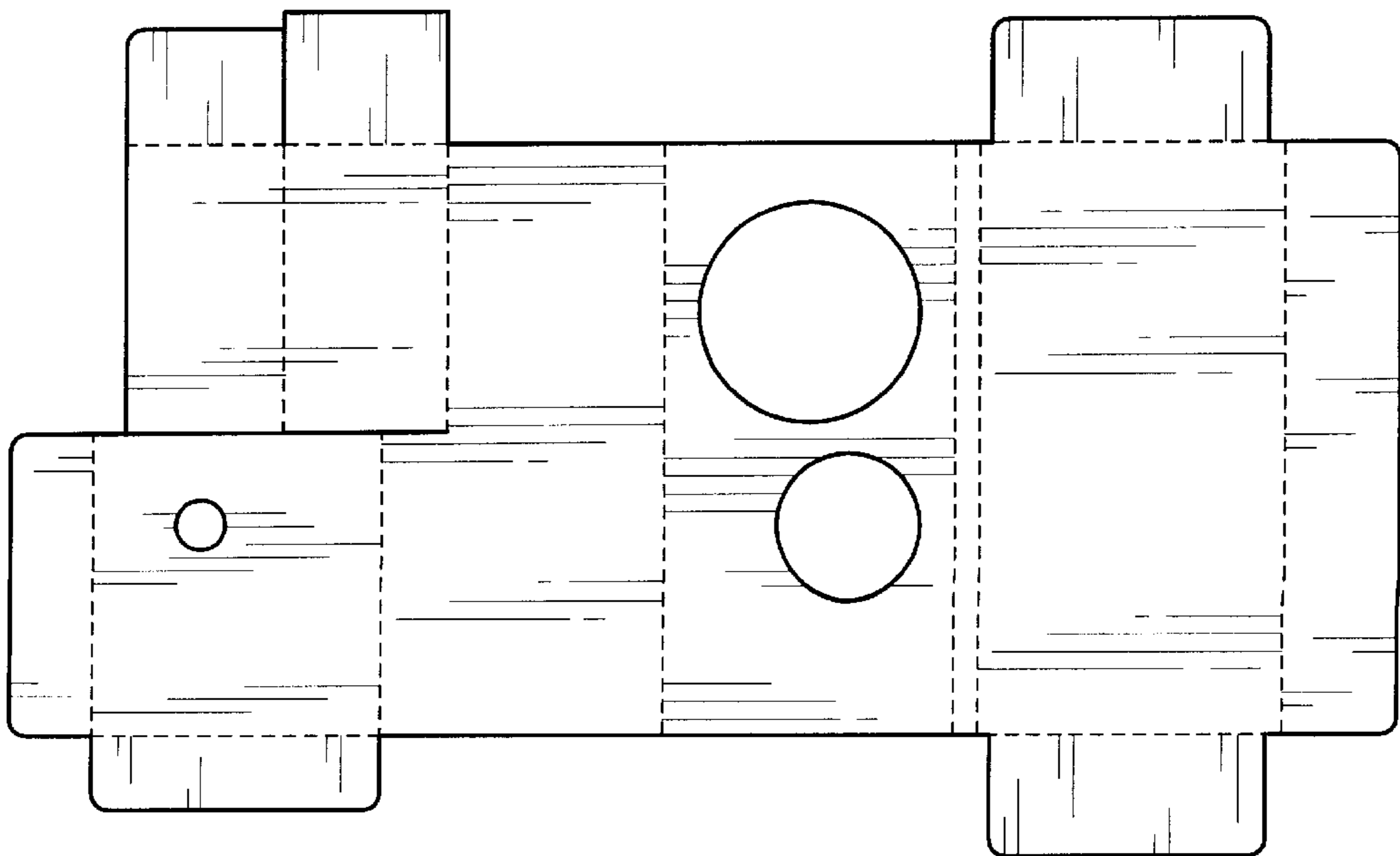


FIG. 4

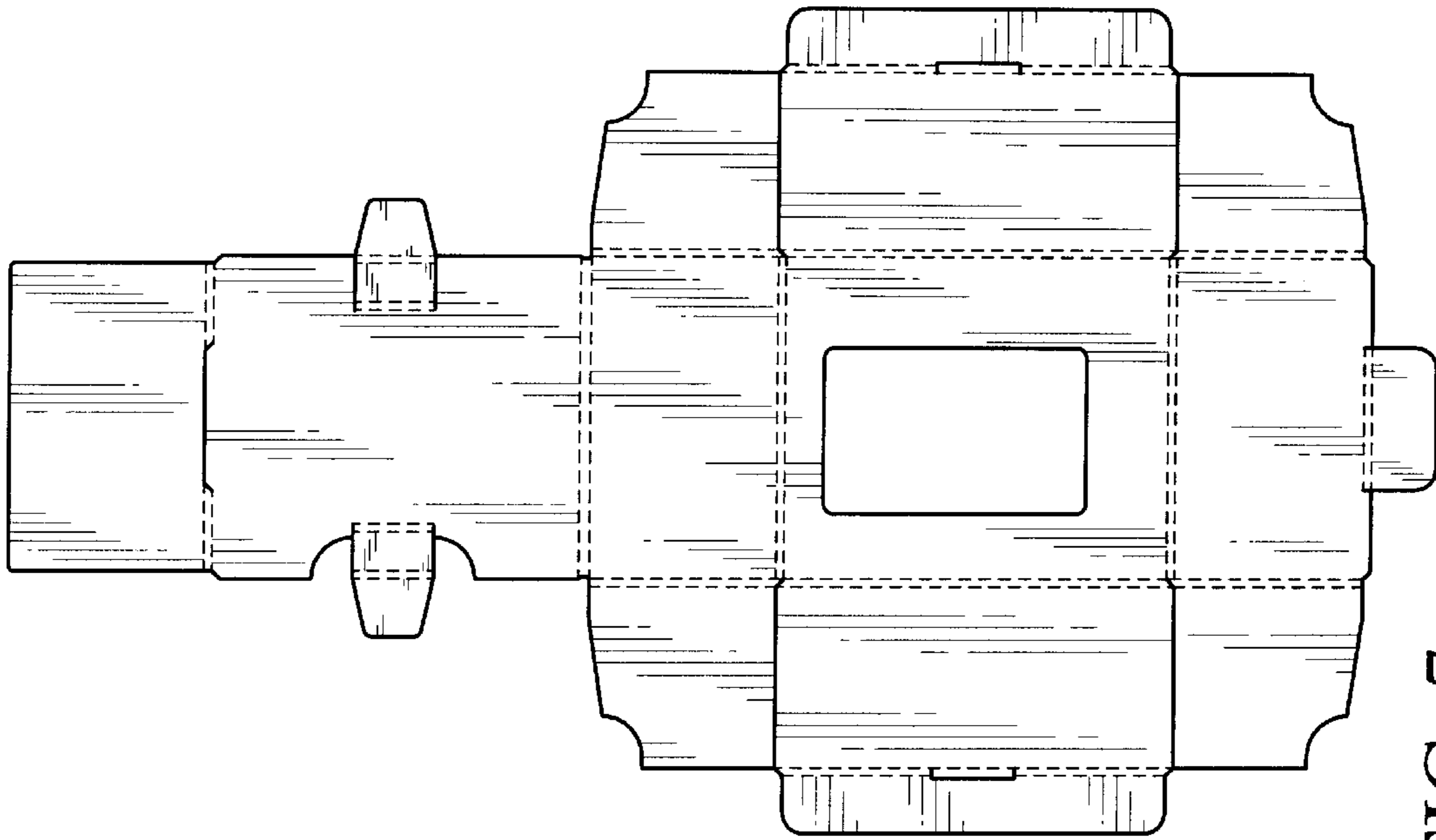


FIG. 6

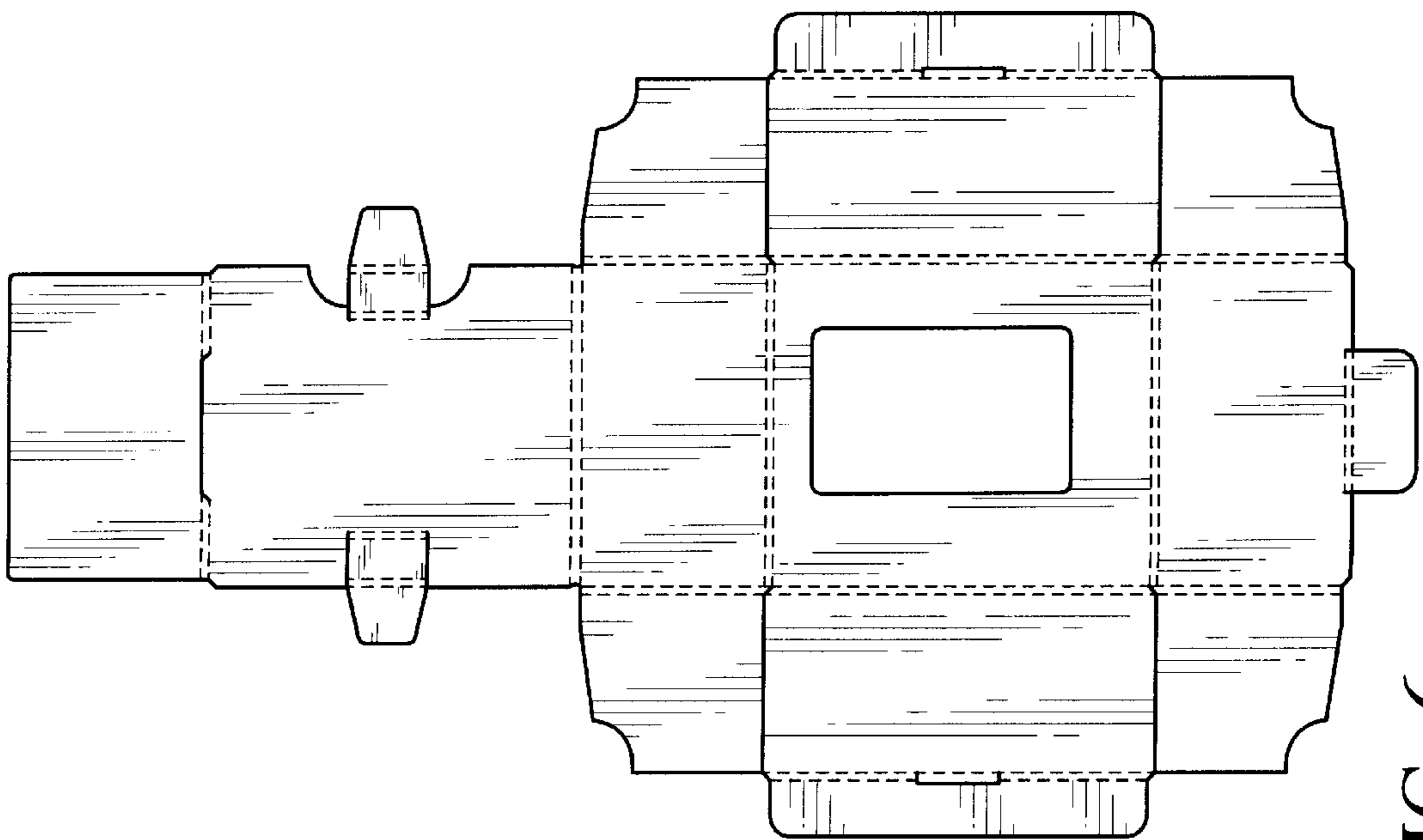


FIG. 7

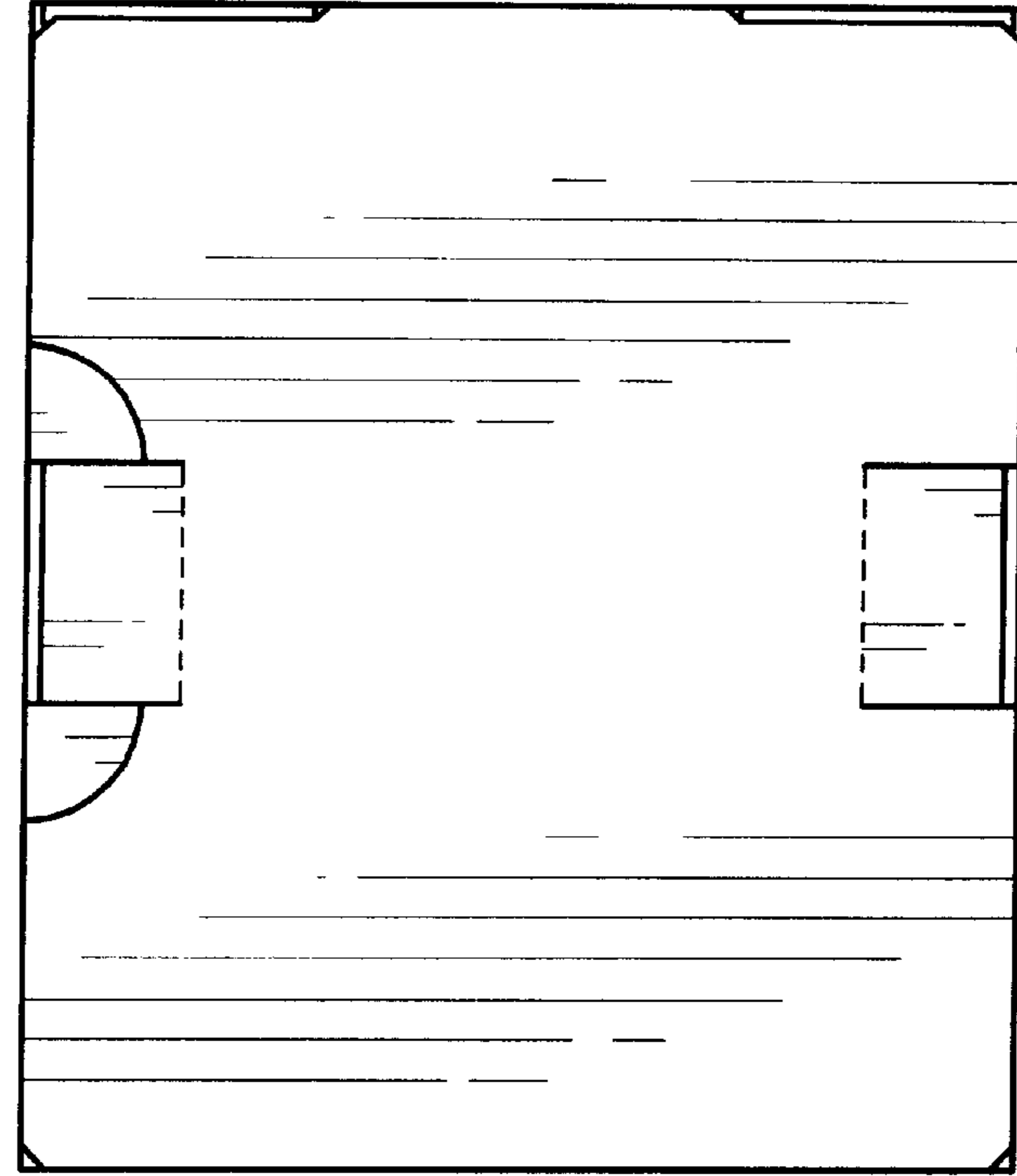


FIG. 9

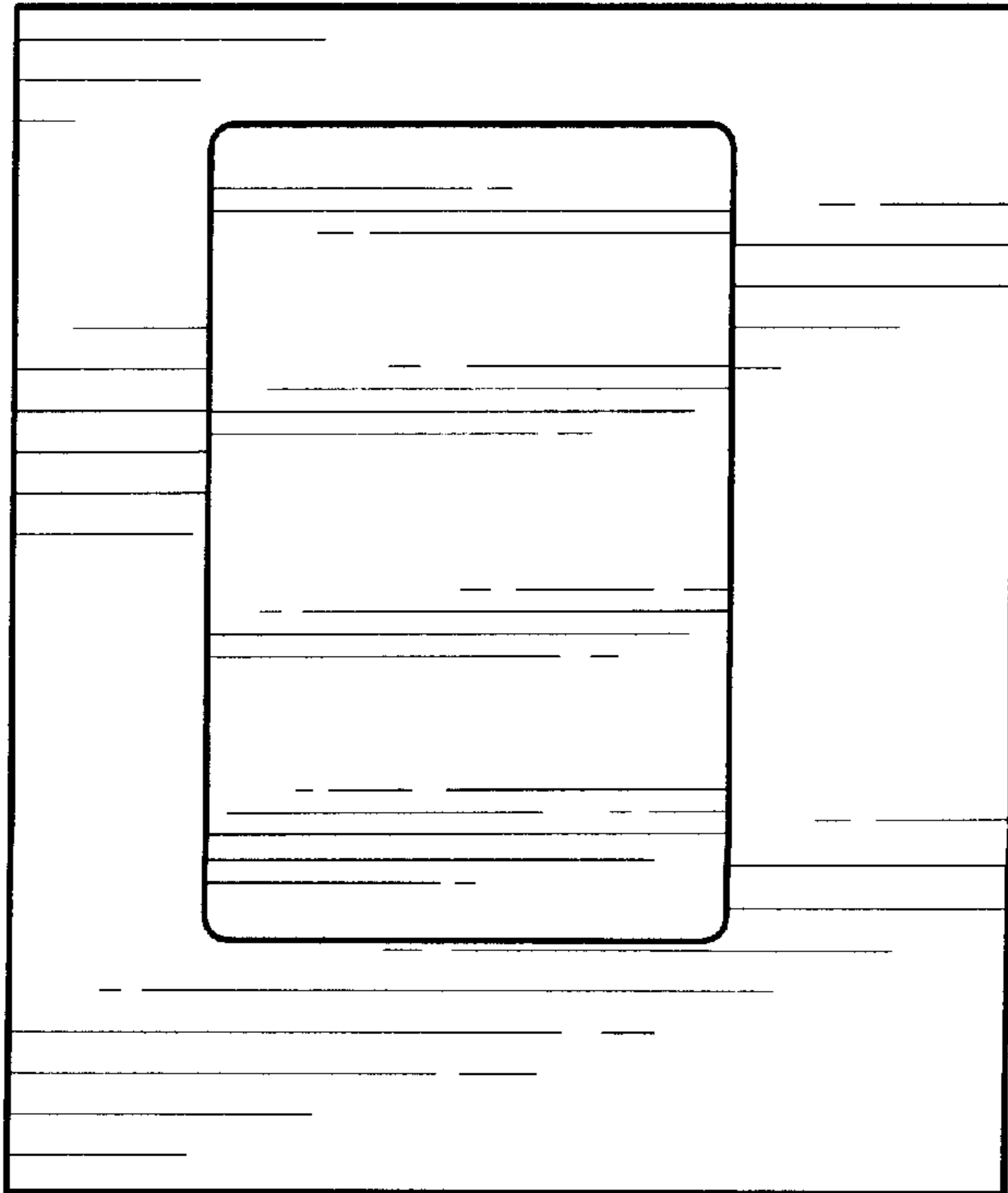


FIG. 8

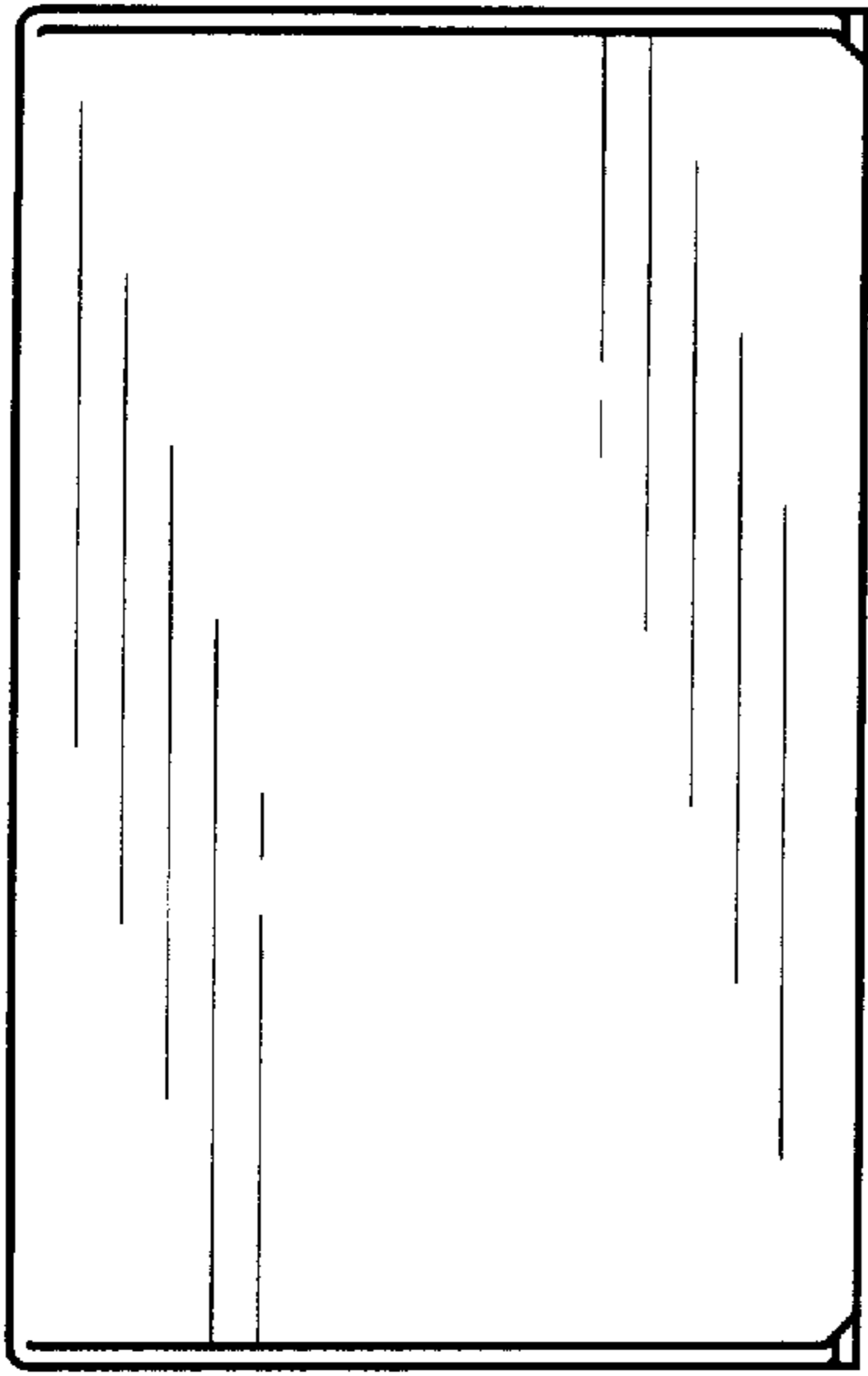


FIG. 10

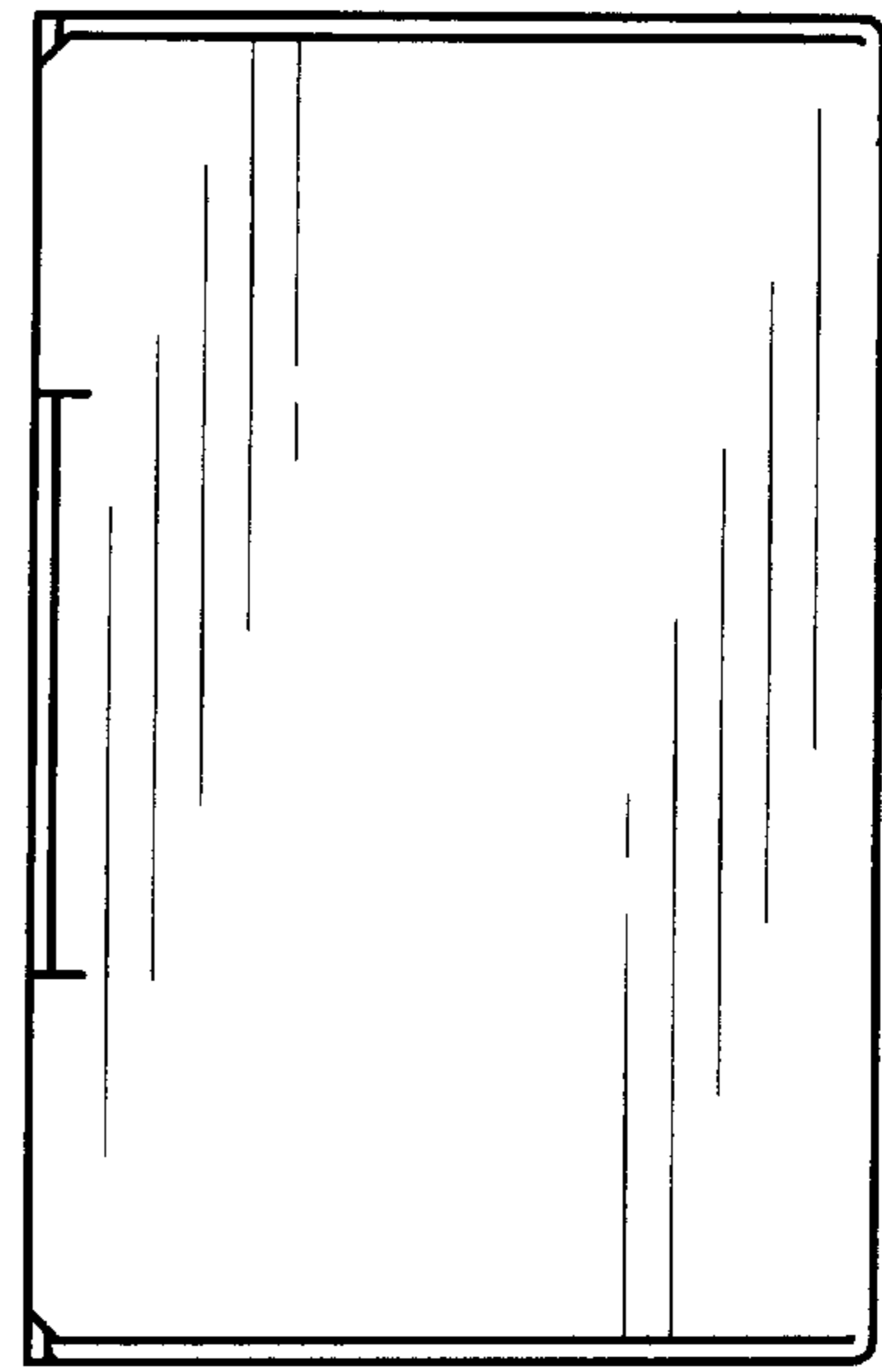


FIG. 11

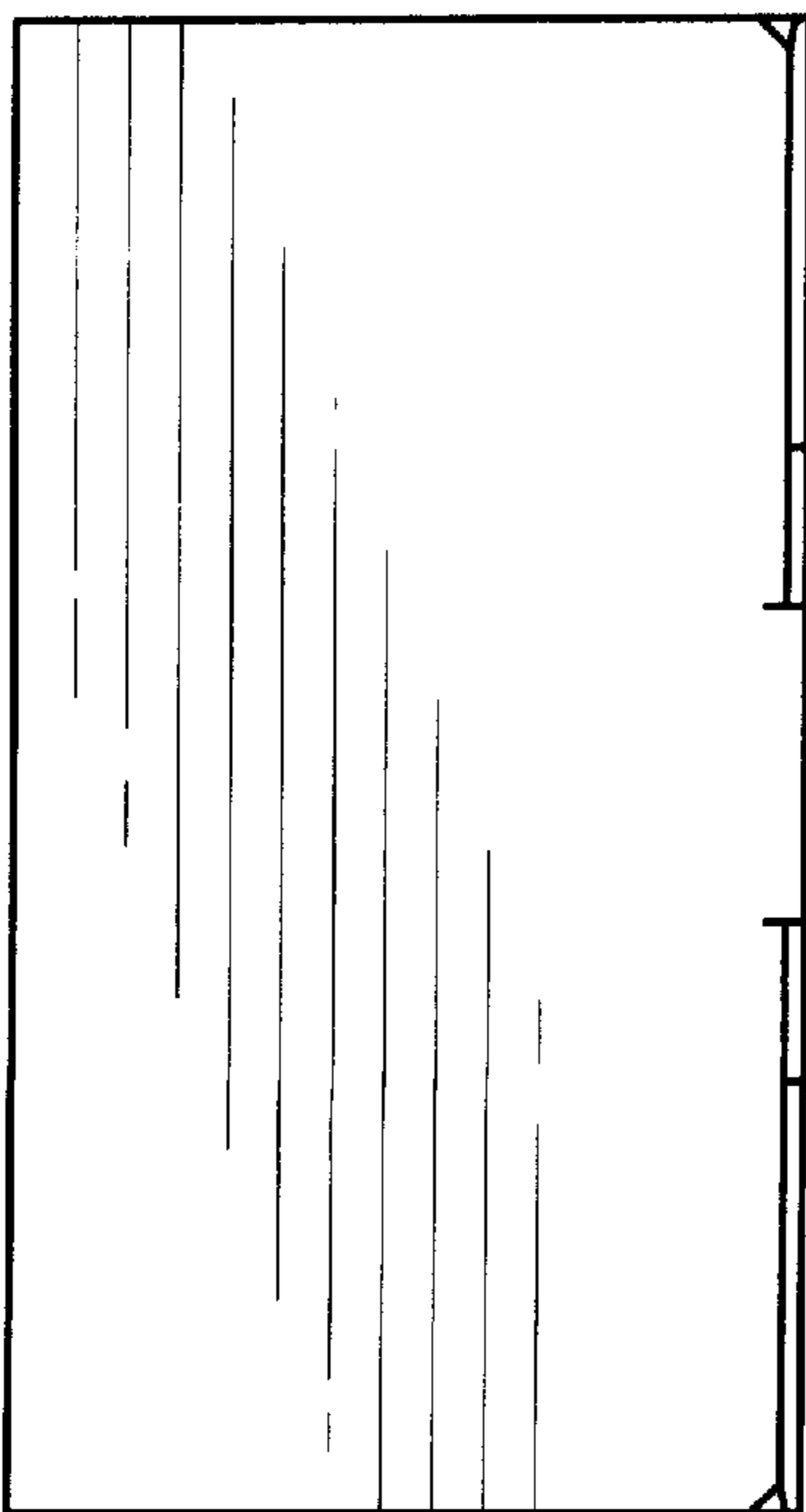


FIG. 12

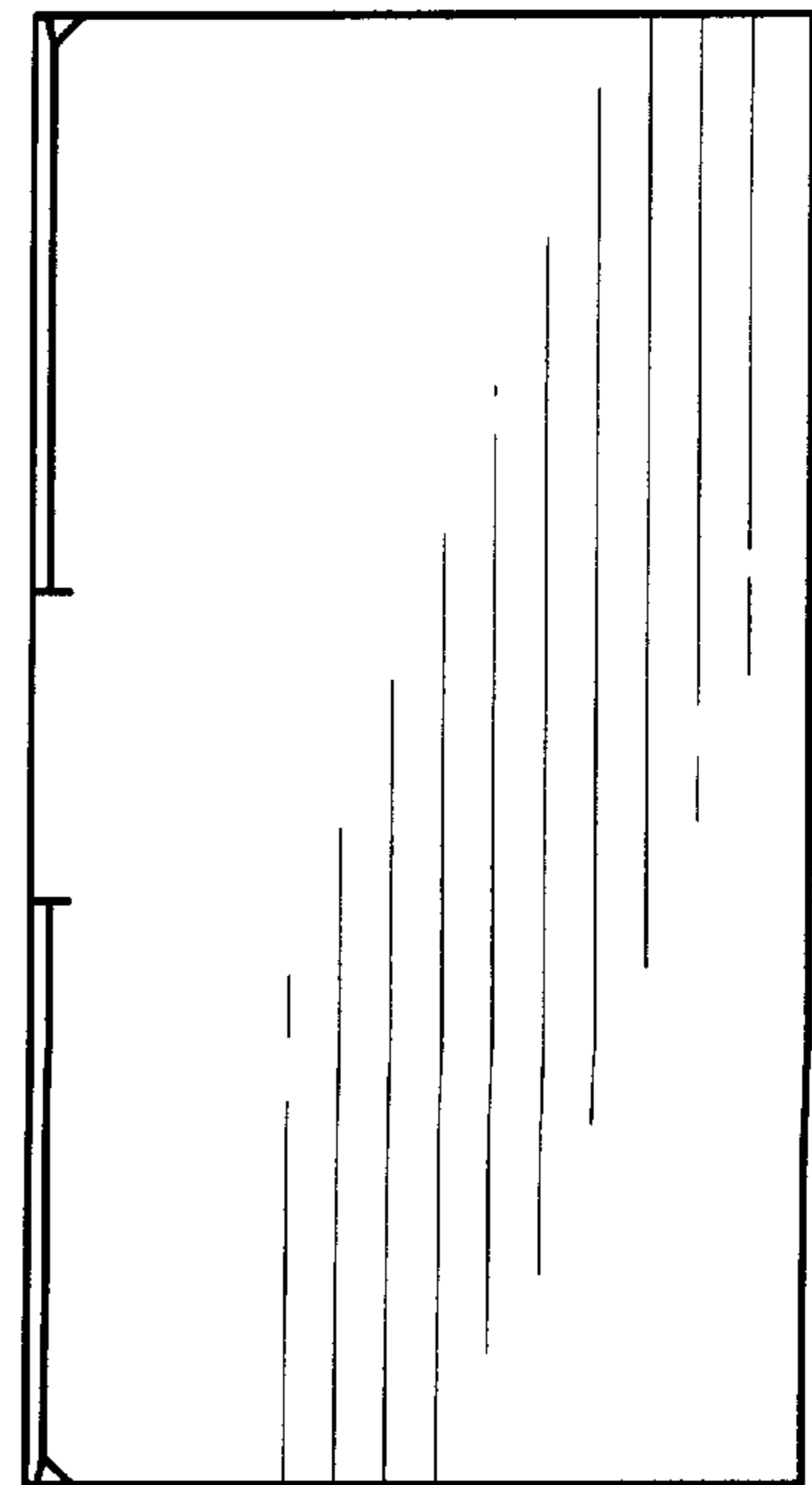


FIG. 13