



US00D436311S

(12) **United States Design Patent**
Edvardsson

(10) **Patent No.:** **US D436,311 S**

(45) **Date of Patent:** **** Jan. 16, 2001**

(54) **SET OF LOCKING MEMBERS**

(75) Inventor: **Ingmar Edvardsson, Vlksjöfors (SE)**

(73) Assignee: **Nefab AB (SE)**

(**) Term: **14 Years**

(21) Appl. No.: **29/096,474**

(22) Filed: **Nov. 13, 1998**

(30) **Foreign Application Priority Data**

May 15, 1998 (SE) 98-1075

(51) **LOC (7) Cl.** **08-08**

(52) **U.S. Cl.** **D8/382**

(58) **Field of Search** D8/382, 394, 395,
D8/389; 220/4.33, 7, 622, 692; 217/12 R,
65

(56) **References Cited**

U.S. PATENT DOCUMENTS

- 2,695,806 * 11/1954 Balint .
- 3,990,599 * 11/1976 Rowley 217/12 R
- 4,453,471 * 6/1984 Harrington 217/65

- 4,796,392 * 1/1989 Graham, Jr. 217/65
- 5,535,909 * 7/1996 Philip 220/4.33

* cited by examiner

Primary Examiner—B. J. Bullock

(74) *Attorney, Agent, or Firm*—Notaro & Michalos P.C.

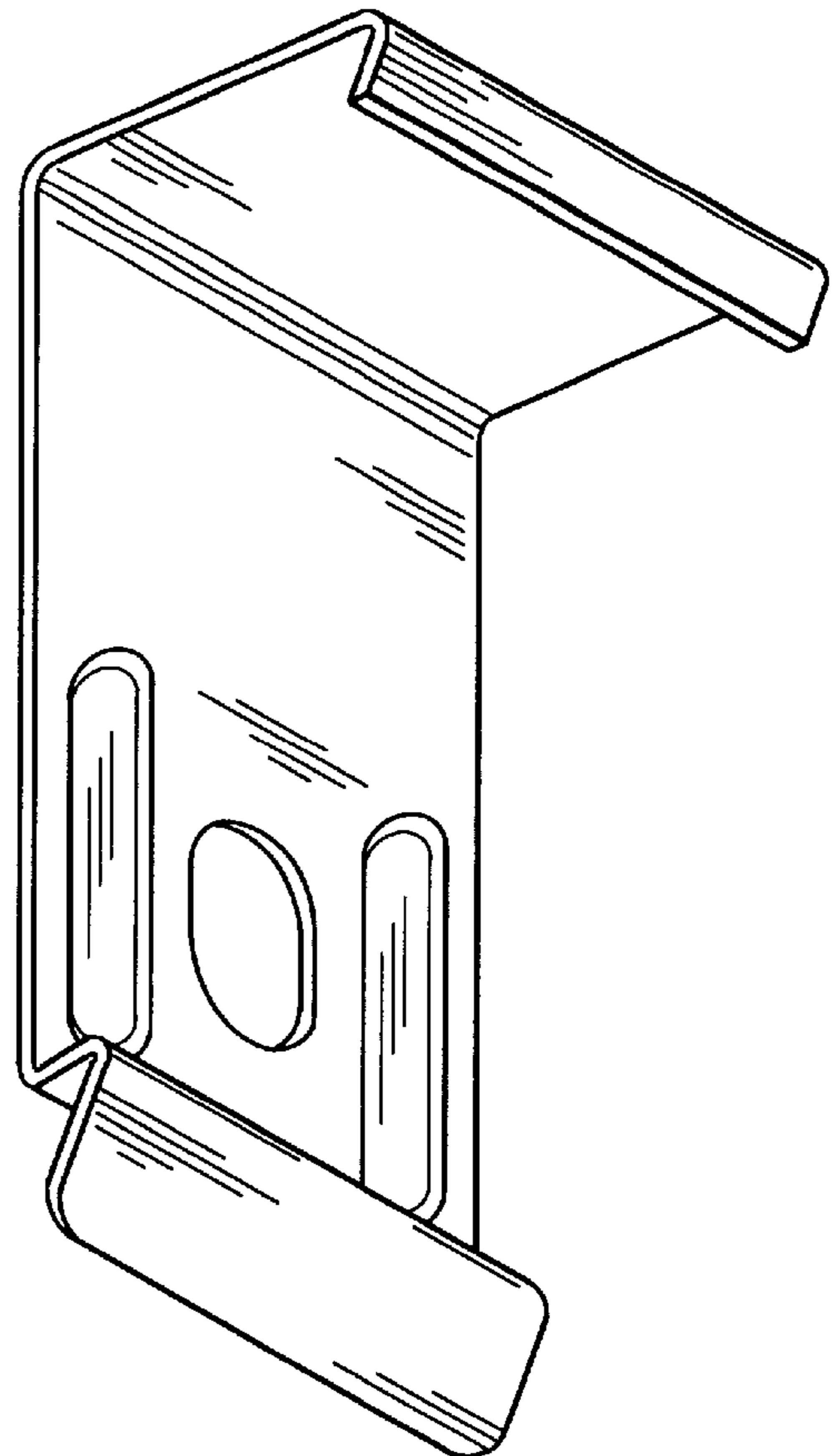
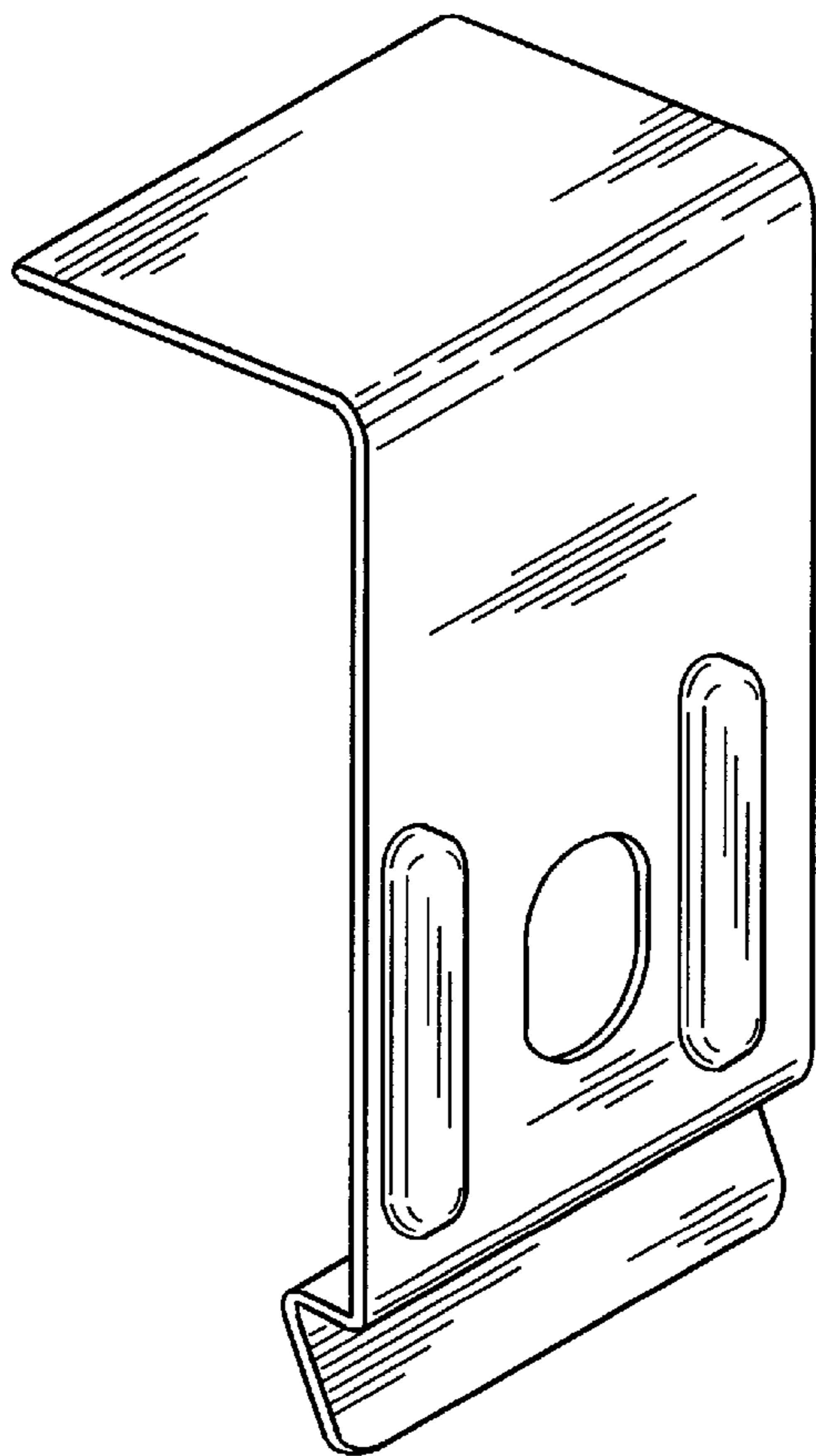
(57) **CLAIM**

I claim the ornamental design for a set of locking members, as shown.

DESCRIPTION

FIG. 1 is a perspective view of a first locking member in a first direction, shown separately for ease of illustration; FIG. 2 is a perspective view of the locking member of FIG. 1 as viewed in a second opposite direction; FIG. 3 is a side view of the locking member of FIGS. 1 and 2; FIG. 4 is a perspective view of a second locking member in a first direction, shown separately for ease of illustration; FIG. 5 is a perspective view of the locking member of FIG. 4 as viewed in a second opposite direction; and, FIG. 6 is a side view of the locking member of FIGS. 4 and 5.

1 Claim, 2 Drawing Sheets



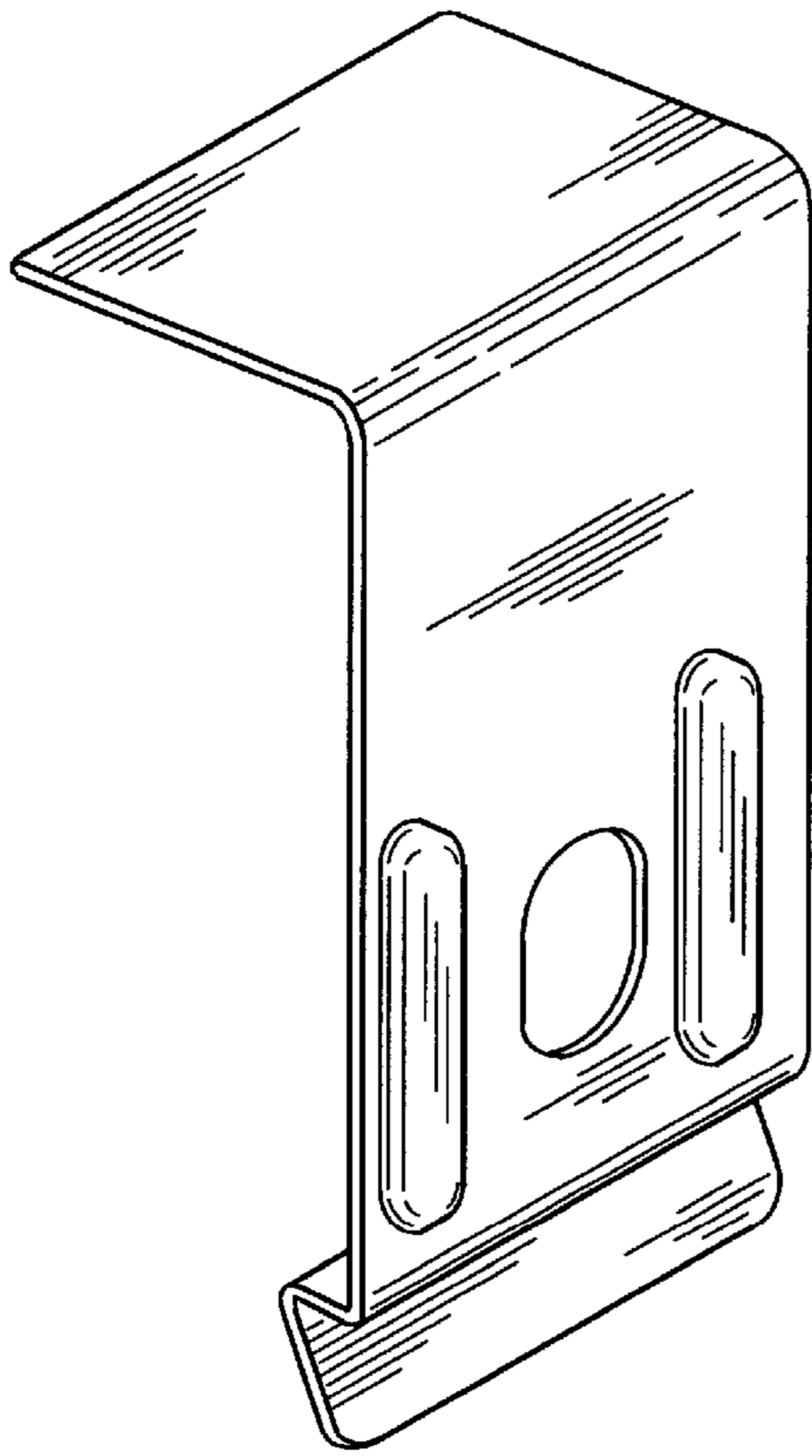


FIG. 1

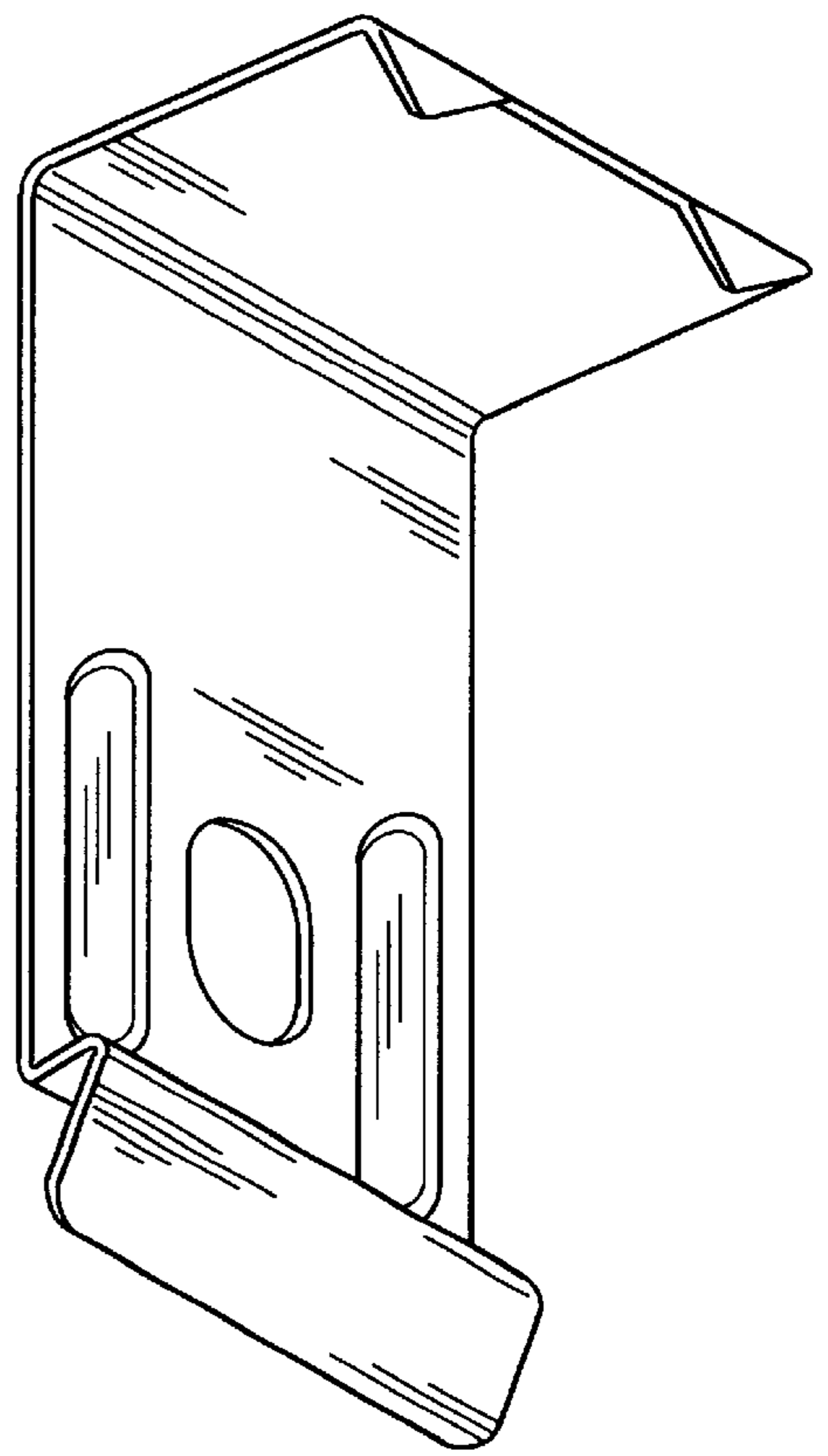


FIG. 2

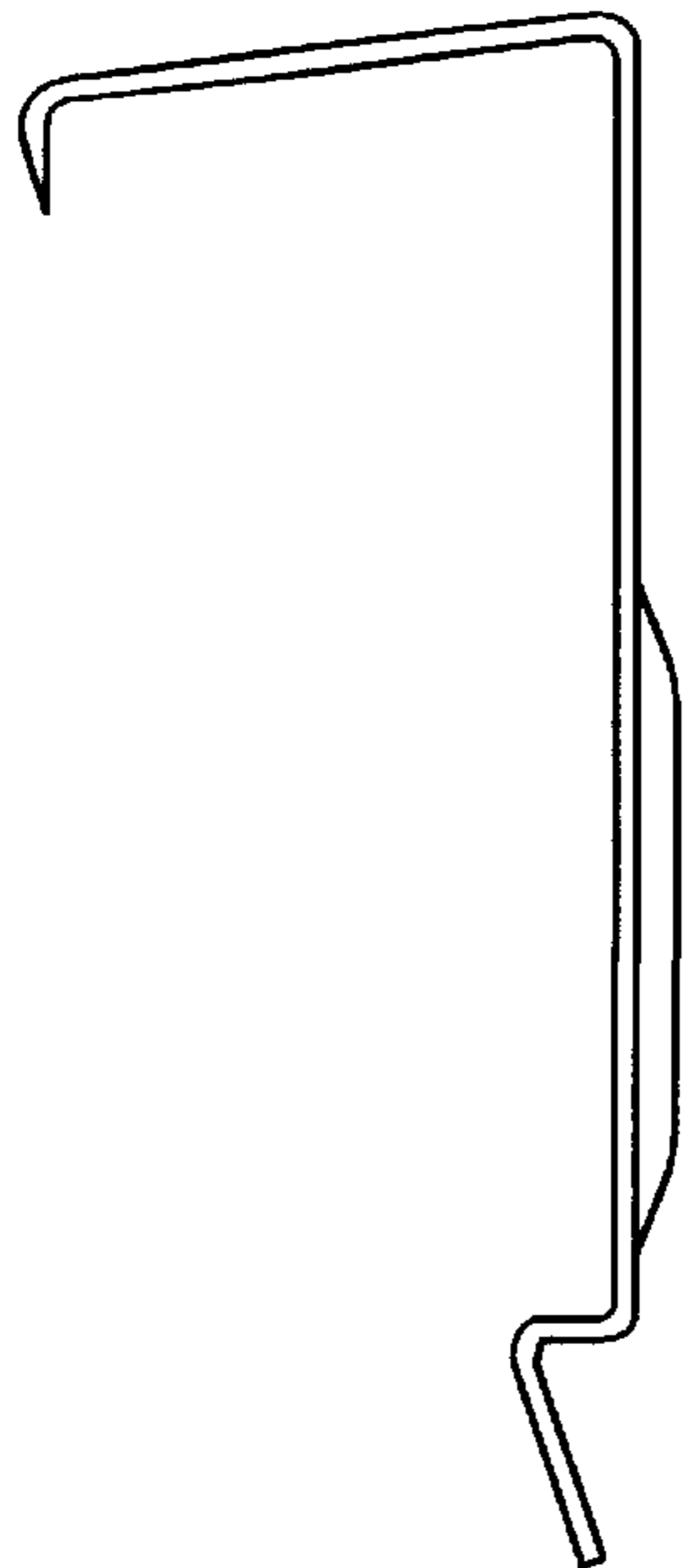


FIG. 3

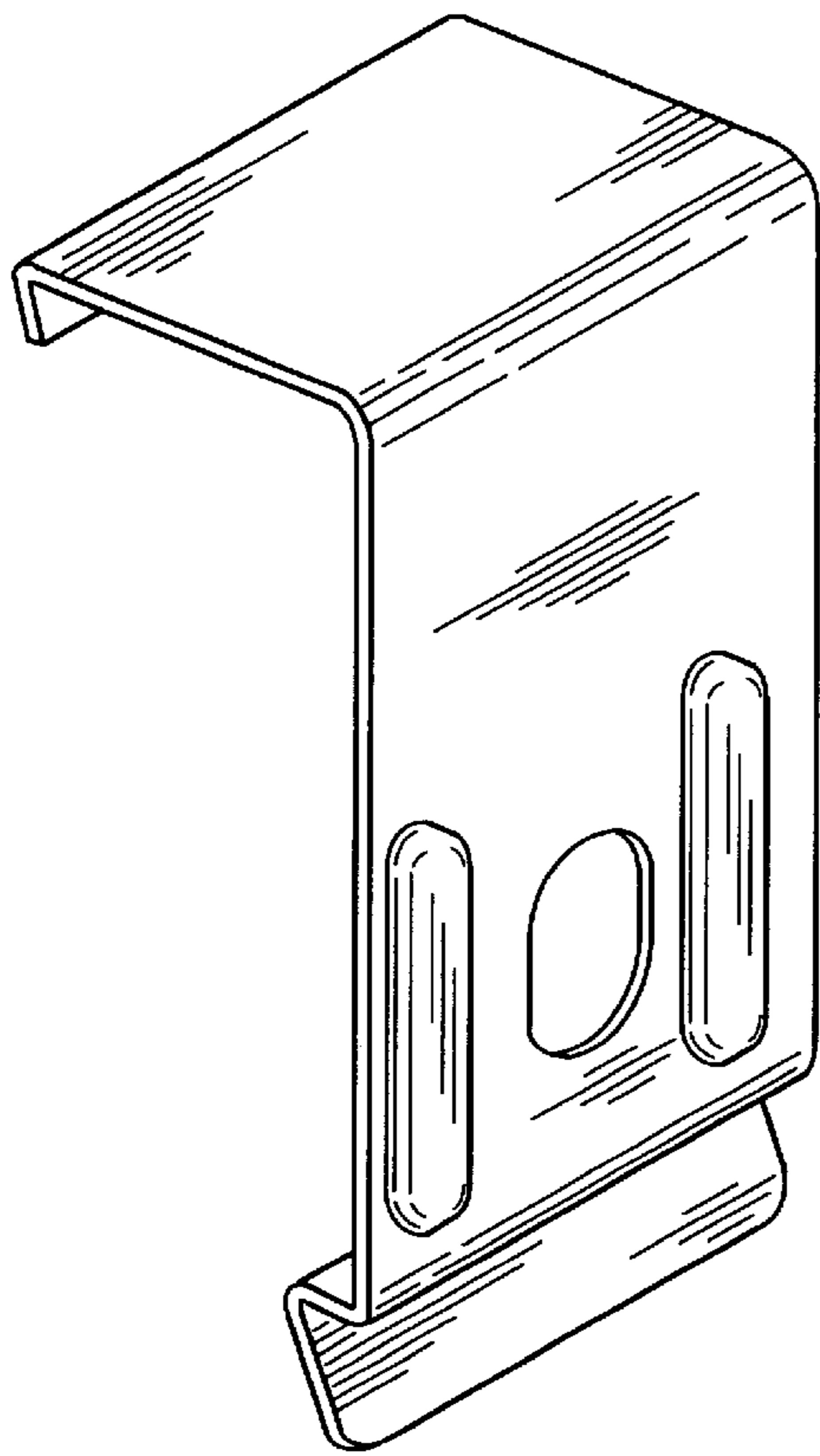


FIG. 4

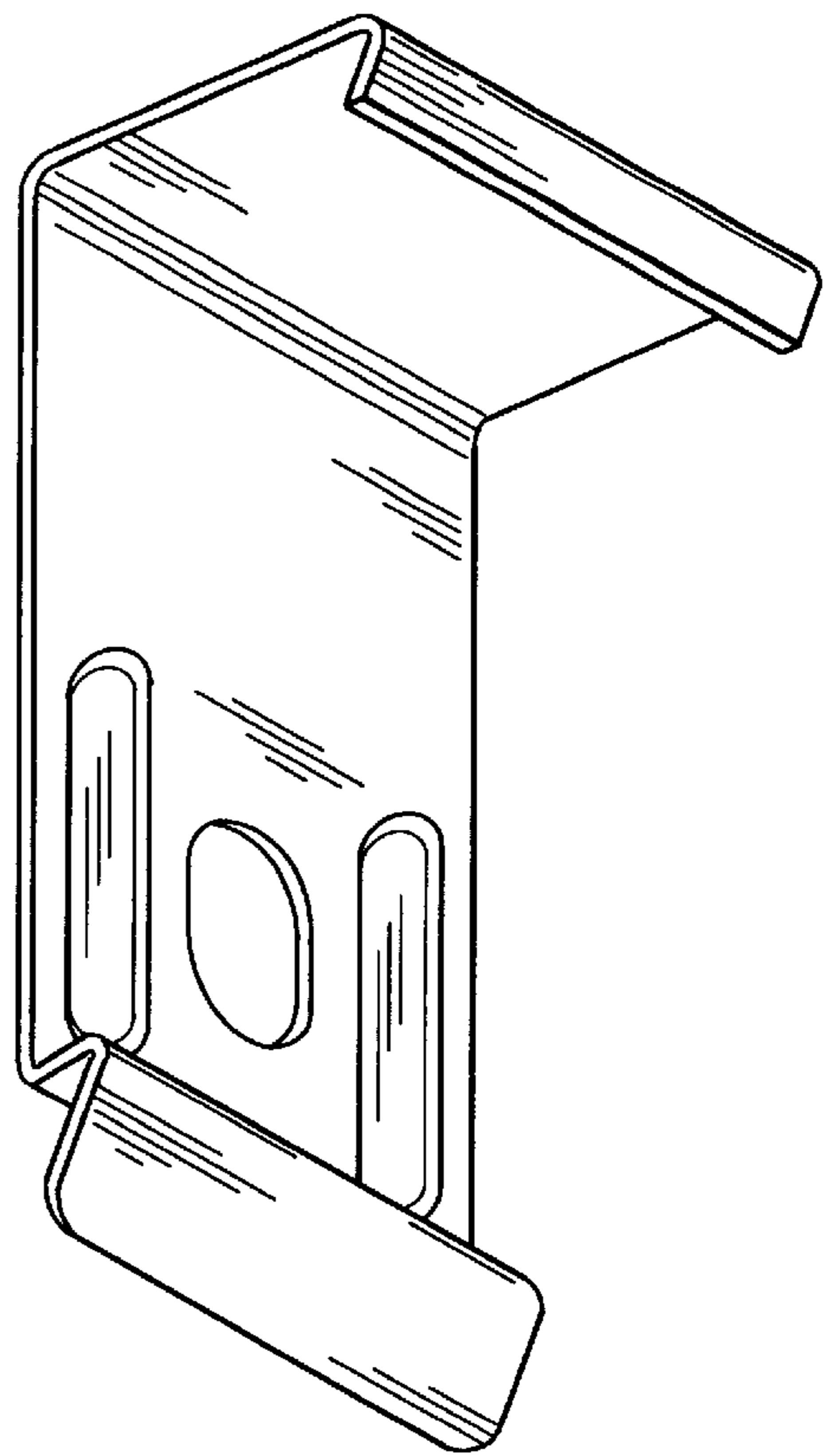


FIG. 5

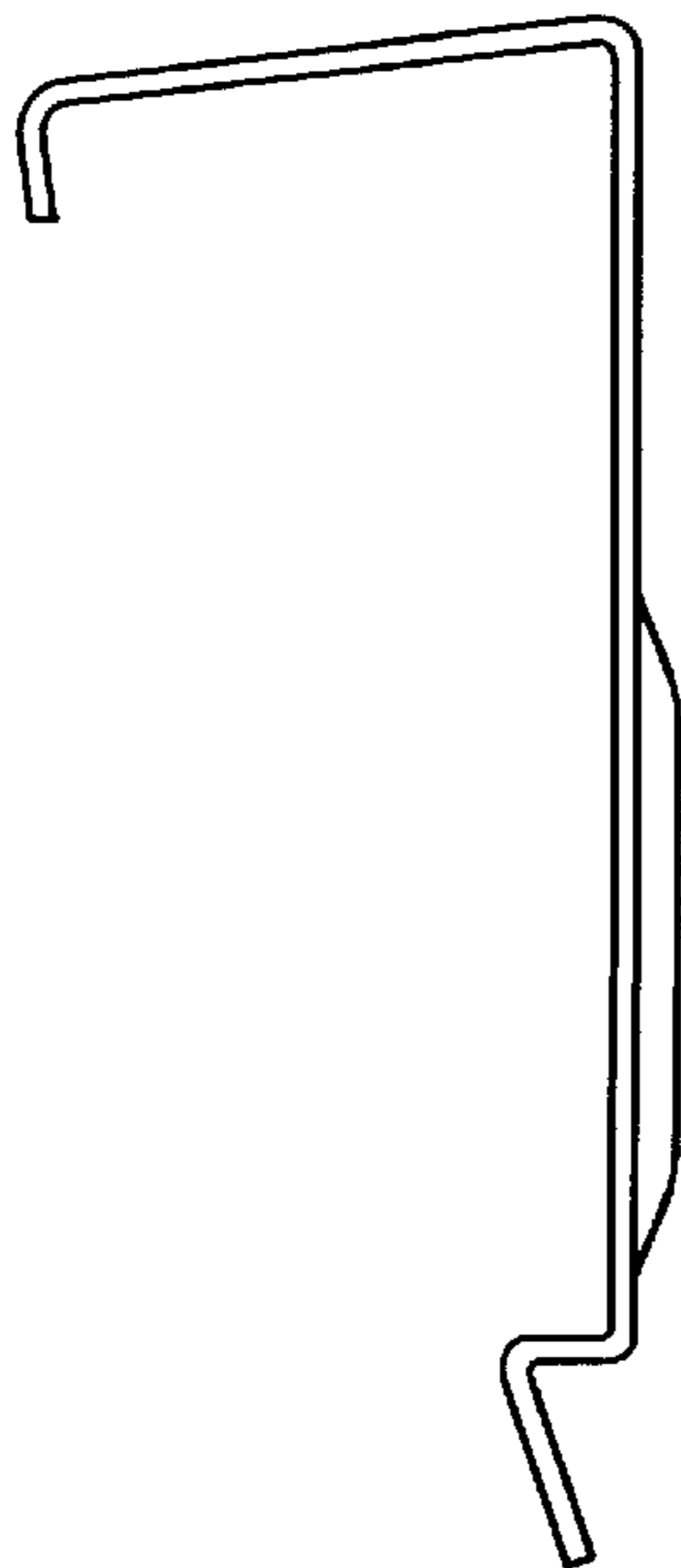


FIG. 6