



US00D436310S

(12) **United States Design Patent**
Arnold

(10) **Patent No.:** **US D436,310 S**

(45) **Date of Patent:** **** Jan. 16, 2001**

(54) **ELECTRICAL CABLE STRAPPING BRACKET**

Primary Examiner—Holly Baynham
(74) *Attorney, Agent, or Firm*—William E. Hein

(76) **Inventor:** **Stanley E. Arnold**, 19425-B Soledad Canyon Rd. #238, Santa Clarita, CA (US) 91351

(57) **CLAIM**

The ornamental design for an electrical cable strapping bracket, as shown and described.

(**) **Term:** **14 Years**

DESCRIPTION

(21) **Appl. No.:** **29/121,524**

FIG. 1 is a front perspective view of an electrical cable strapping bracket, showing my new design;

(22) **Filed:** **Apr. 7, 2000**

FIG. 2 is a right side elevation view;

(51) **LOC (7) Cl.** **08-05**

FIG. 3 is a left side elevation view;

(52) **U.S. Cl.** **D8/354**

FIG. 4 is a rear elevation view;

(58) **Field of Search** D8/354, 349, 356; 248/300, 200, 65, 73, 229.1

FIG. 5 is a front elevation view;

(56) **References Cited**

U.S. PATENT DOCUMENTS

FIG. 6 is a bottom plan view; and,

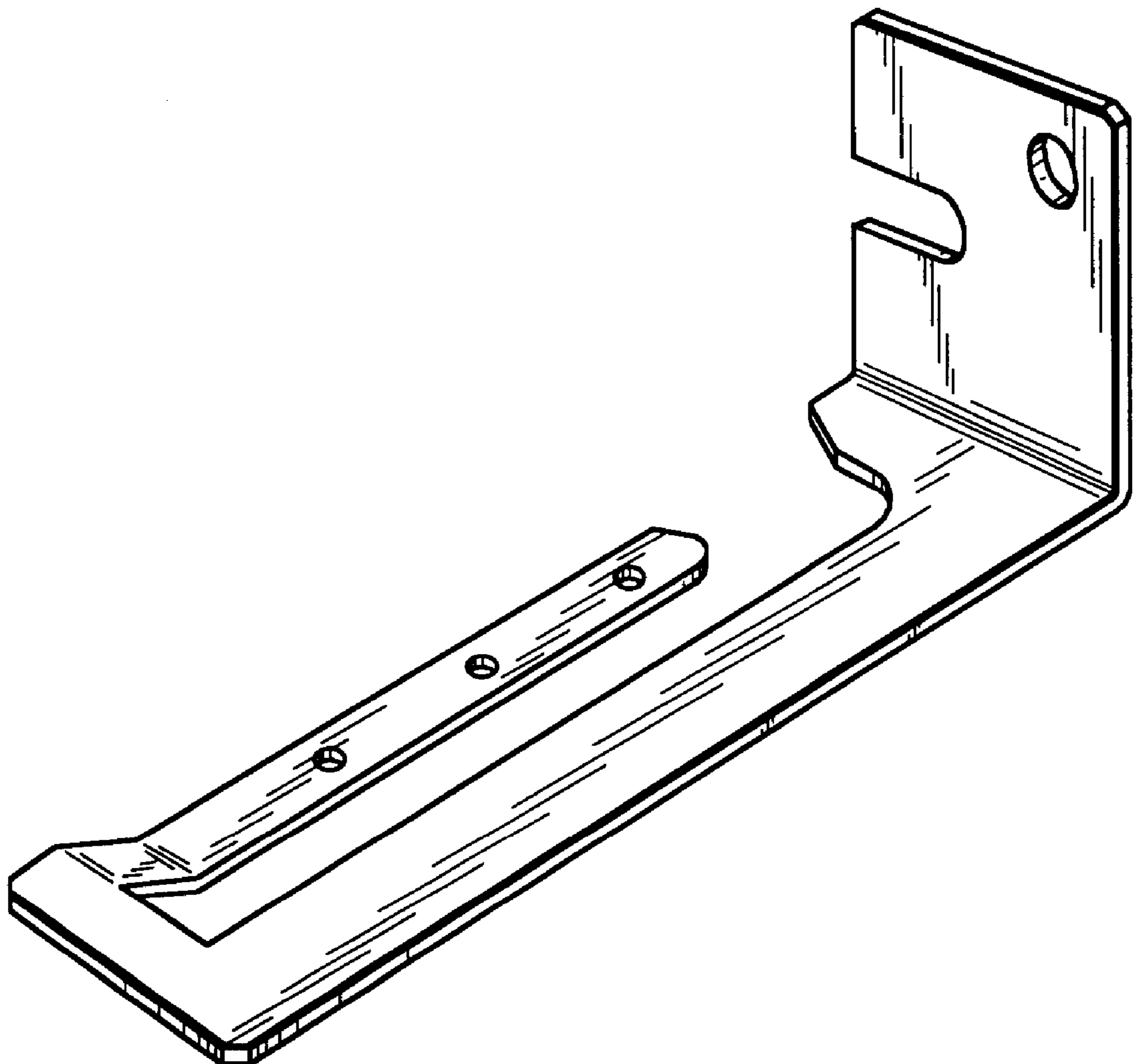
FIG. 7 is a top plan view.

D. 314,326 * 2/1991 Sachs D8/373

D. 408,716 * 4/1999 Vestedahl D8/354

* cited by examiner

1 Claim, 1 Drawing Sheet



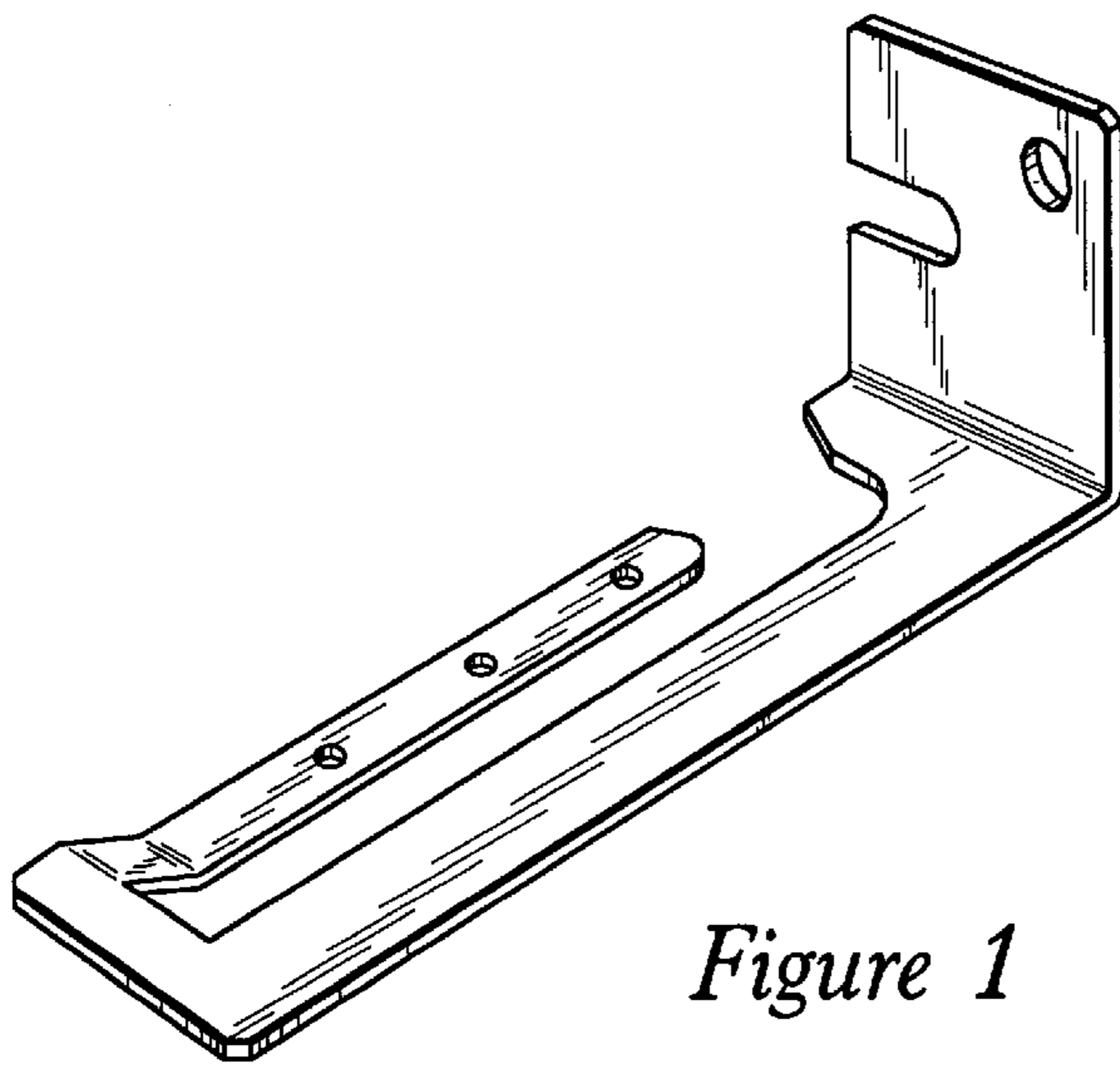


Figure 1

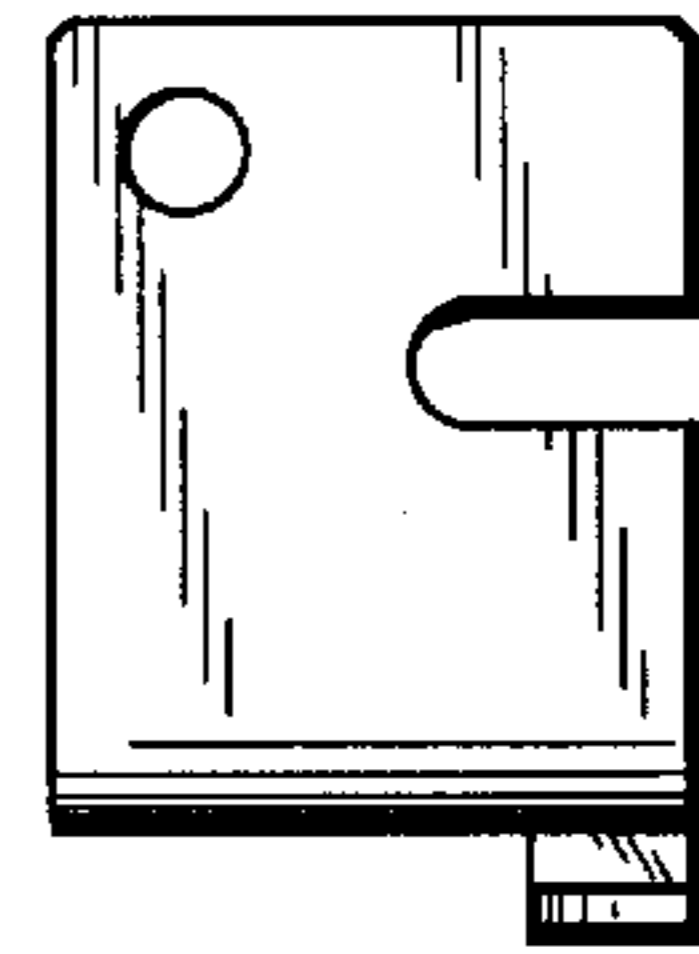


Figure 2

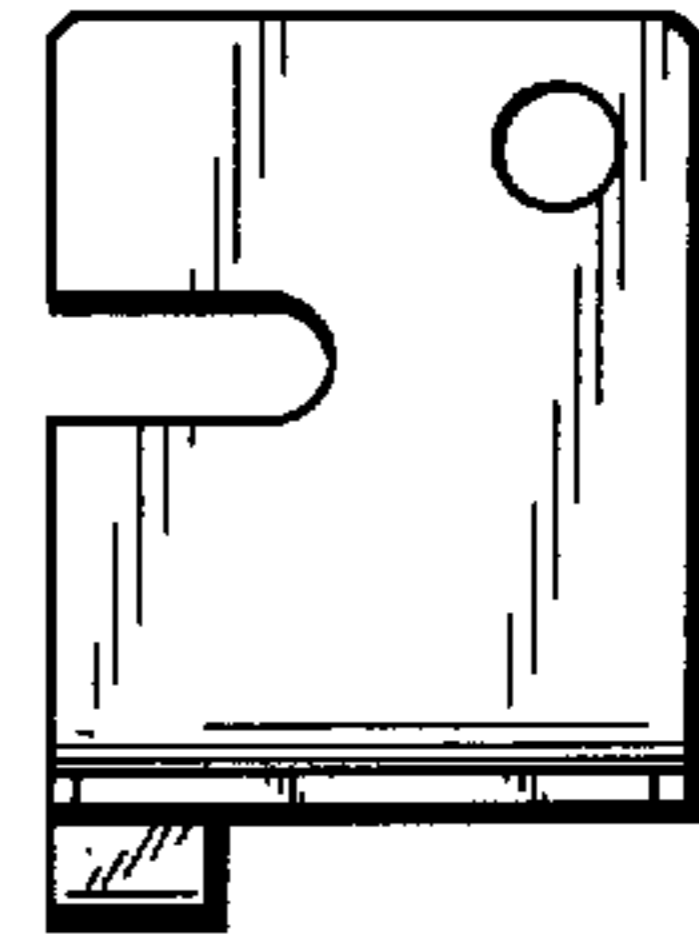


Figure 3



Figure 4

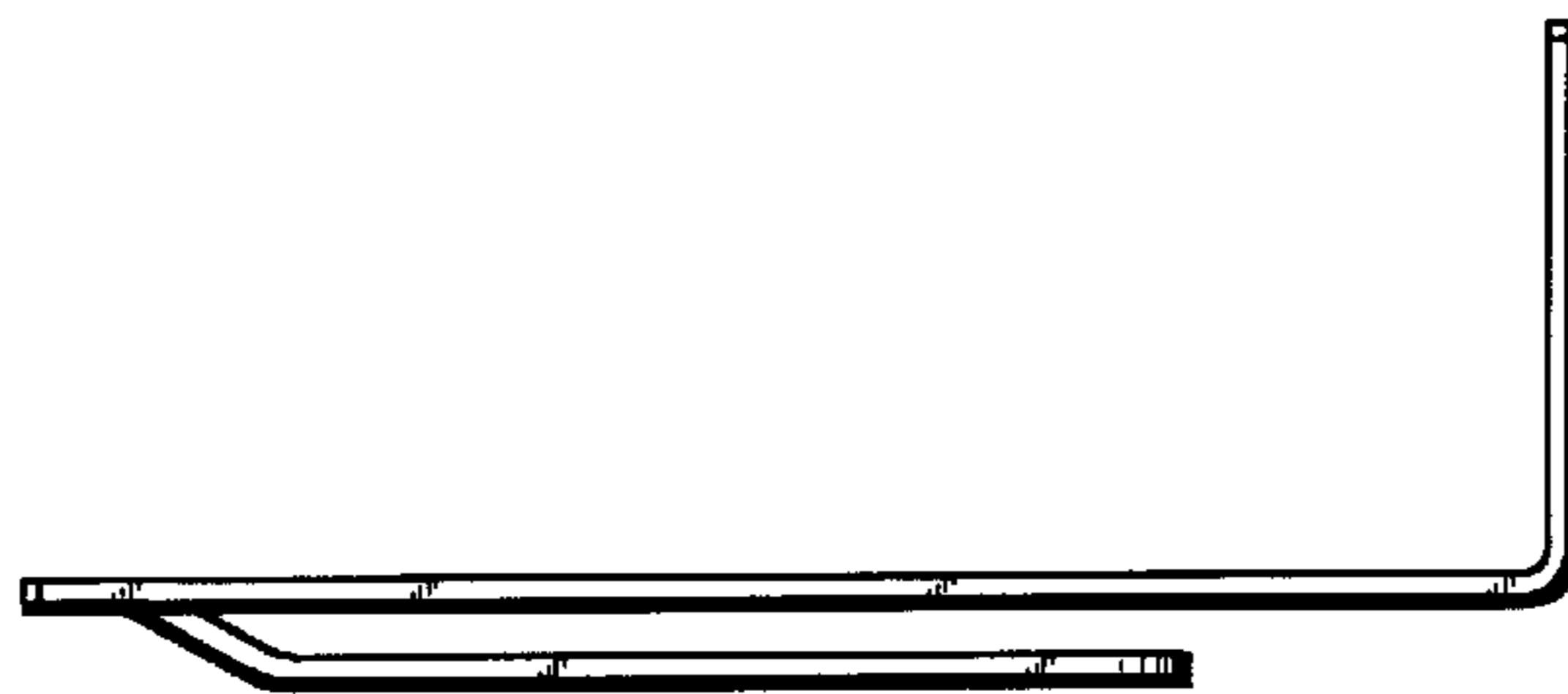


Figure 5

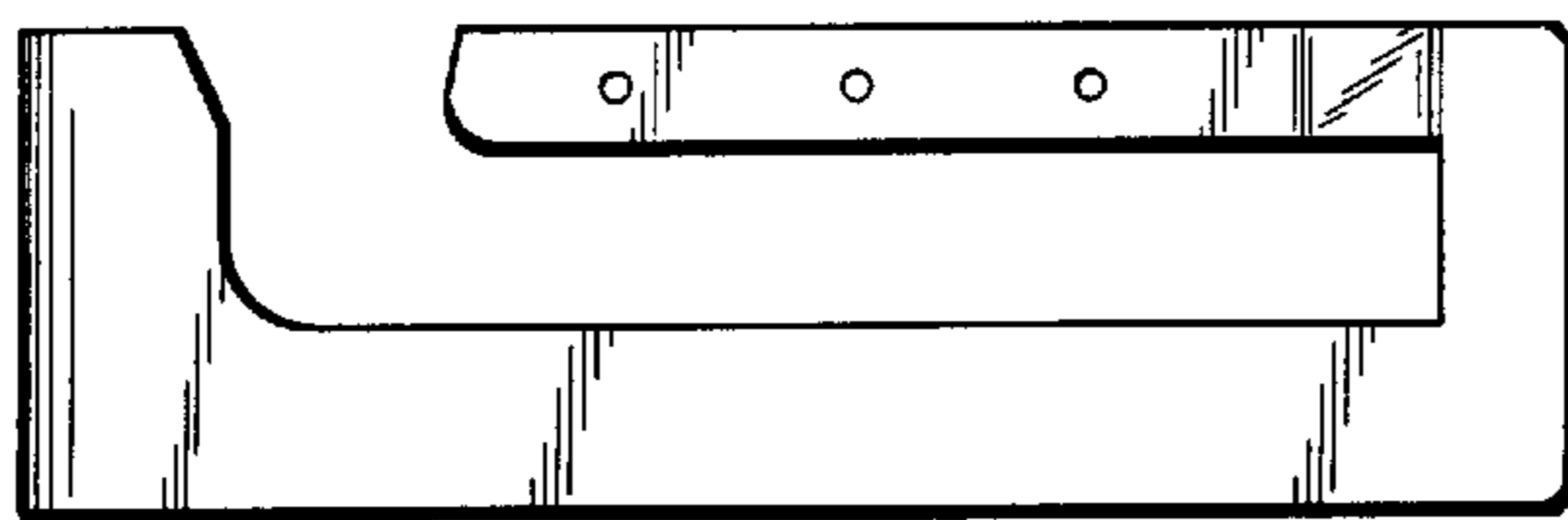


Figure 6

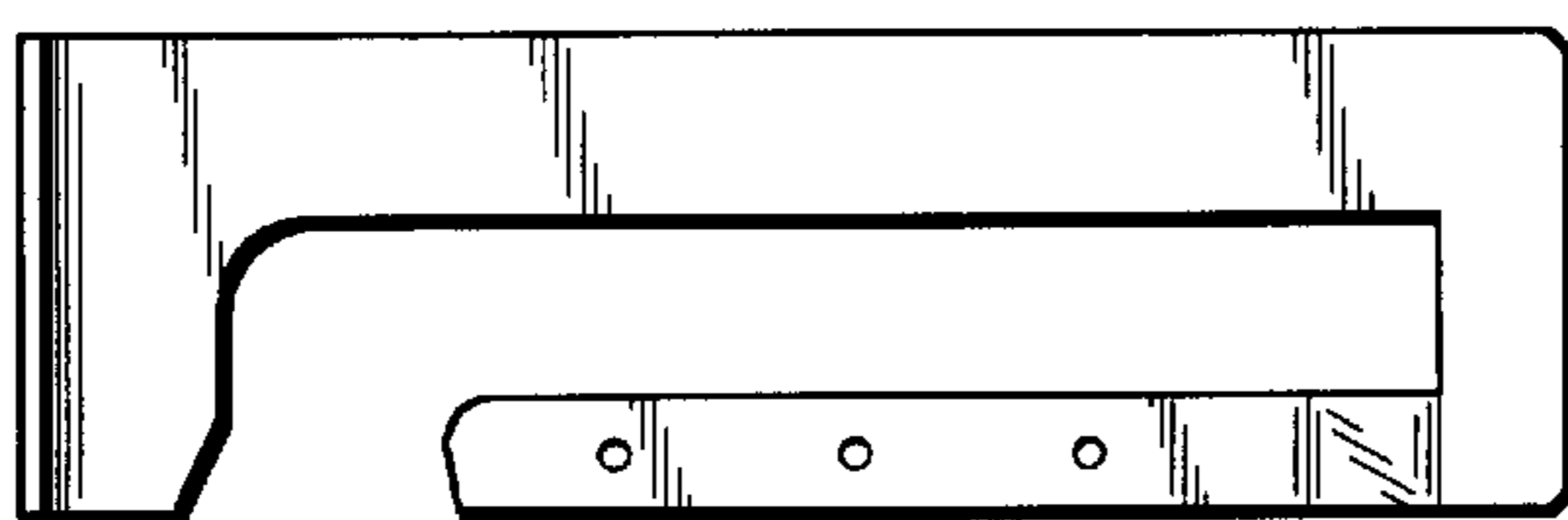


Figure 7