



US00D436307S

(12) **United States Design Patent**
Seaton

(10) **Patent No.:** **US D436,307 S**

(45) **Date of Patent:** **** Jan. 16, 2001**

(54) **INDICIA FOR PAPER TRIMMER**

(75) Inventor: **Robert A. Seaton**, Madison, WI (US)

(73) Assignee: **Fiskars Inc.**, Madison, WI (US)

(**) Term: **14 Years**

(21) Appl. No.: **29/097,009**

(22) Filed: **Nov. 25, 1998**

Related U.S. Application Data

(62) Division of application No. 29/074,454, filed on Jul. 22, 1997, now Pat. No. Des. 415,404.

(51) **LOC (7) Cl.** **08-03**

(52) **U.S. Cl.** **D8/98**

(58) **Field of Search** D8/98, 51; 83/468.3, 83/468.7, 585, 607; D19/72; D10/70, 71

(56) **References Cited**

U.S. PATENT DOCUMENTS

2,345,450	*	3/1944	Blanc	83/607
3,186,280	*	6/1965	Post	83/607
4,957,235	*	9/1990	Beno et al.	83/607
5,249,495	*	10/1993	Renk	83/607

* cited by examiner

Primary Examiner—Philip S. Hyder

(74) *Attorney, Agent, or Firm*—Michael D. Rechtin; Foley & Lardner

(57) **CLAIM**

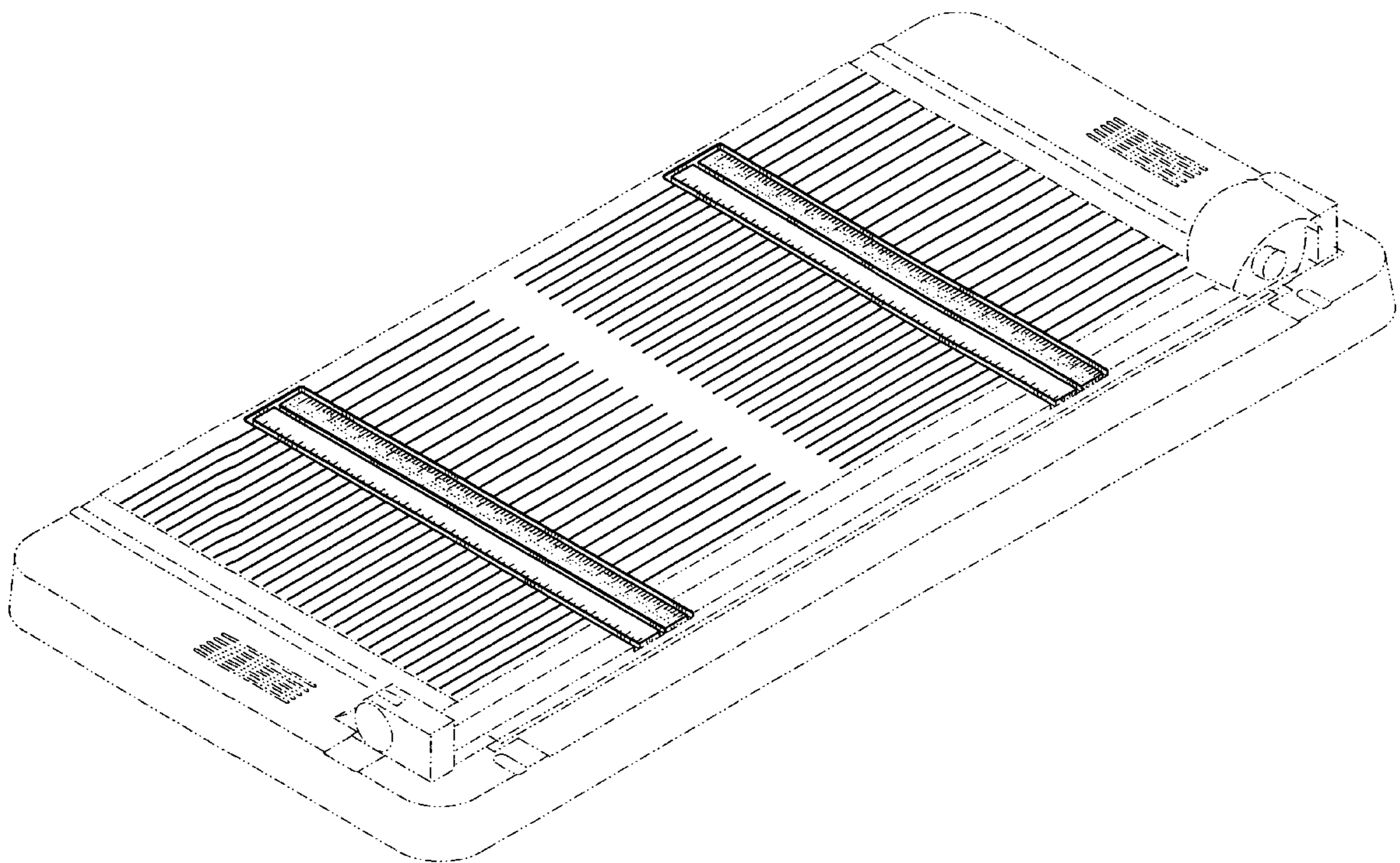
I claim the ornamental design for an indicia for paper trimmer, as shown and described.

DESCRIPTION

FIG. 1 is a perspective view of the indicia for a paper cutter; FIG. 2 is a top view of the indicia; FIG. 3 is a front view of the indicia; FIG. 4 is an end view of the indicia; FIG. 5 is a side view of the indicia; FIG. 6 is a cross sectional view of the indicia taken generally along lines 6—6 of FIG. 2; FIG. 7 is a cross sectional view of the indicia taken generally along lines 7—7 of FIG. 2; and, FIG. 8 is a top view of an alternative embodiment of the indicia.

The broken lines in the figures showing portions of the paper trimmer and indicia for the paper trimmer in FIGS. 1—8 are for illustrative purposes only and form no part of the claimed design.

1 Claim, 4 Drawing Sheets



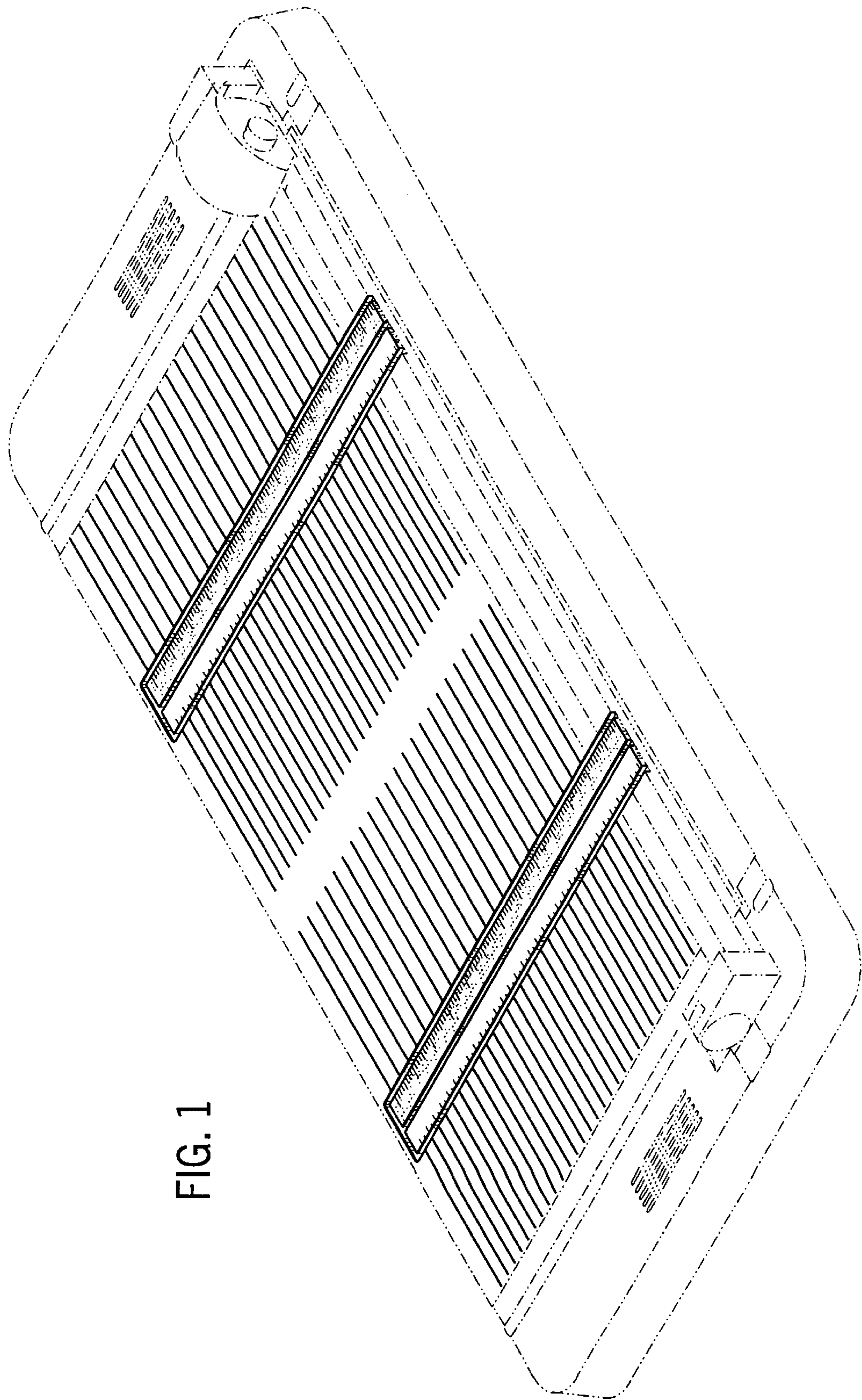
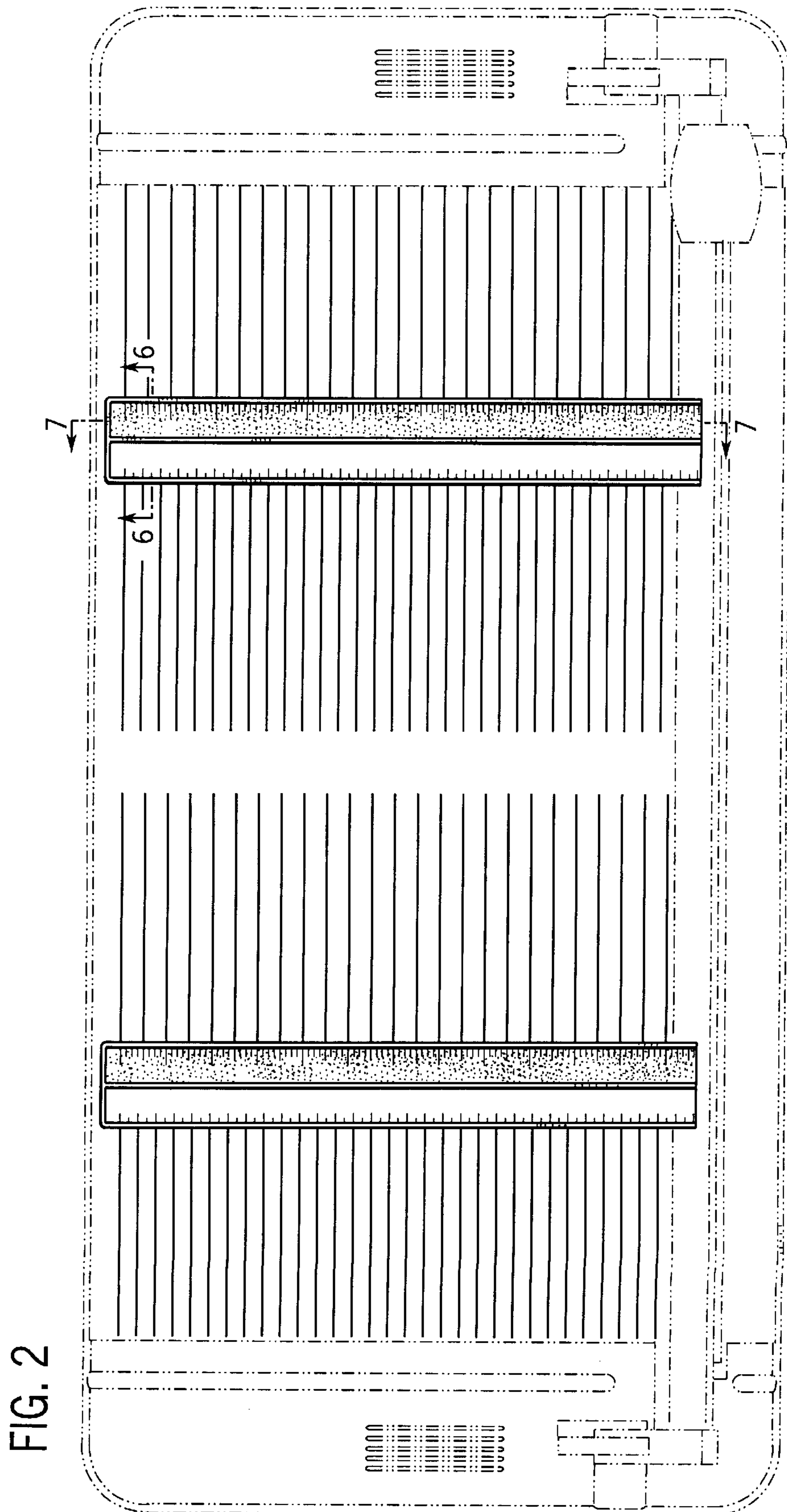


FIG. 1



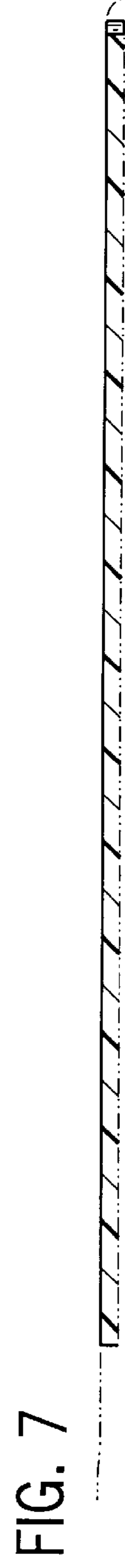
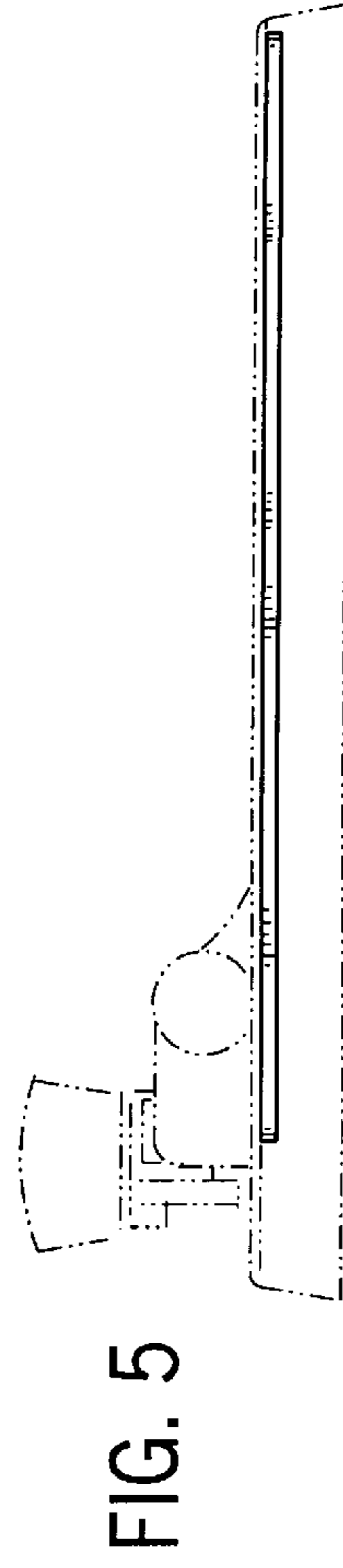
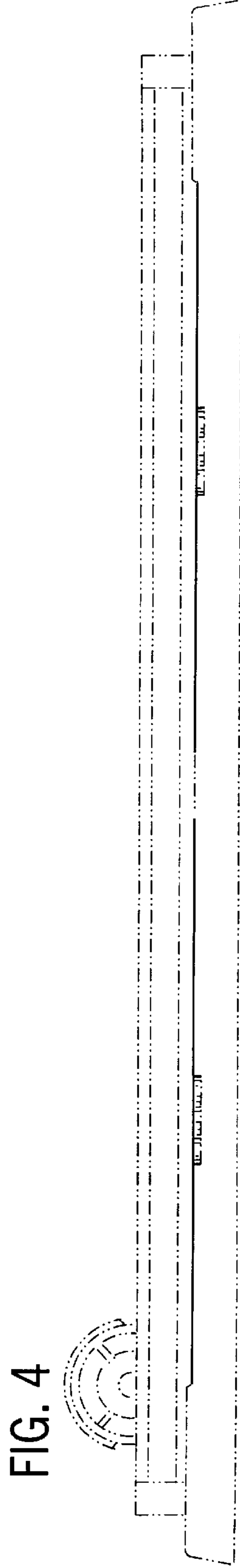
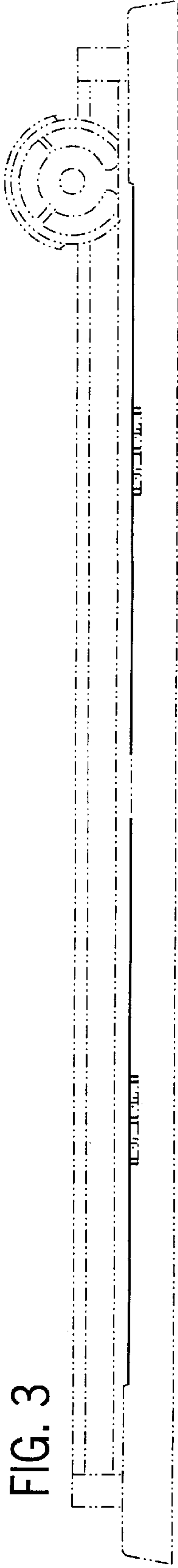


FIG. 8

