



US00D436304S

(12) **United States Design Patent**
Brown

(10) **Patent No.:** **US D436,304 S**

(45) **Date of Patent:** **** Jan. 16, 2001**

(54) **HAND TOOL ACCESSORY HOLDER**

(76) Inventor: **Richard A. Brown**, 12475 Torreon Rd.,
Atascadero, CA (US) 93422

(**) Term: **14 Years**

(21) Appl. No.: **29/108,148**

(22) Filed: **Jul. 21, 1999**

Related U.S. Application Data

(62) Division of application No. 08/704,943, filed on Aug. 30,
1996, now abandoned.

(51) **LOC (7) Cl.** **08-05**

(52) **U.S. Cl.** **D8/71; D8/14**

(58) **Field of Search** D8/14, 21, 29,
D8/107, 71; 206/378, 379, 372, 373; 81/177.1,
177.4, 177.2, 177.3, 490

(56) **References Cited**

U.S. PATENT DOCUMENTS

1,578,065	3/1926	Bemus et al.	81/61
1,608,620	11/1926	Robinson	81/439
1,796,083	3/1931	Carlberg	81/440
3,667,518	6/1972	Stillwagon, Jr.	81/460
4,253,356	3/1981	Martinmaas	81/177.4
4,352,306	10/1982	Martinmaas	81/177.4
4,352,307	10/1982	Martinmaas	81/177.4
4,449,559 *	5/1984	Martimaas	81/439
4,452,289	6/1984	Smith	81/177.1
4,699,030	10/1987	Yang	81/440
4,893,529	1/1990	Lin	81/177.4
4,924,733	5/1990	McKenzi	81/438
4,960,016	10/1990	Seals	81/177.4

5,086,674	2/1992	Her	81/124.4
5,228,570	7/1993	Robinson	206/378
5,421,225 *	6/1995	Chen	81/490
5,566,596	10/1996	Lin	81/490

OTHER PUBLICATIONS

“The Socket Keeper”, SK-3 3/8" & 1/4" Drive; manufactured by ACRA Designs. ACRA Designs is currently owned by the applicant. This product was on sale more than one (1) year prior to the filing date of the present application, namely, Jul. 21, 1999. However, this product was not on sale more than one year prior to Aug. 30, 1996.

* cited by examiner

Primary Examiner—Philip S. Hyder

(74) *Attorney, Agent, or Firm*—Nydegger & Associates

(57) **CLAIM**

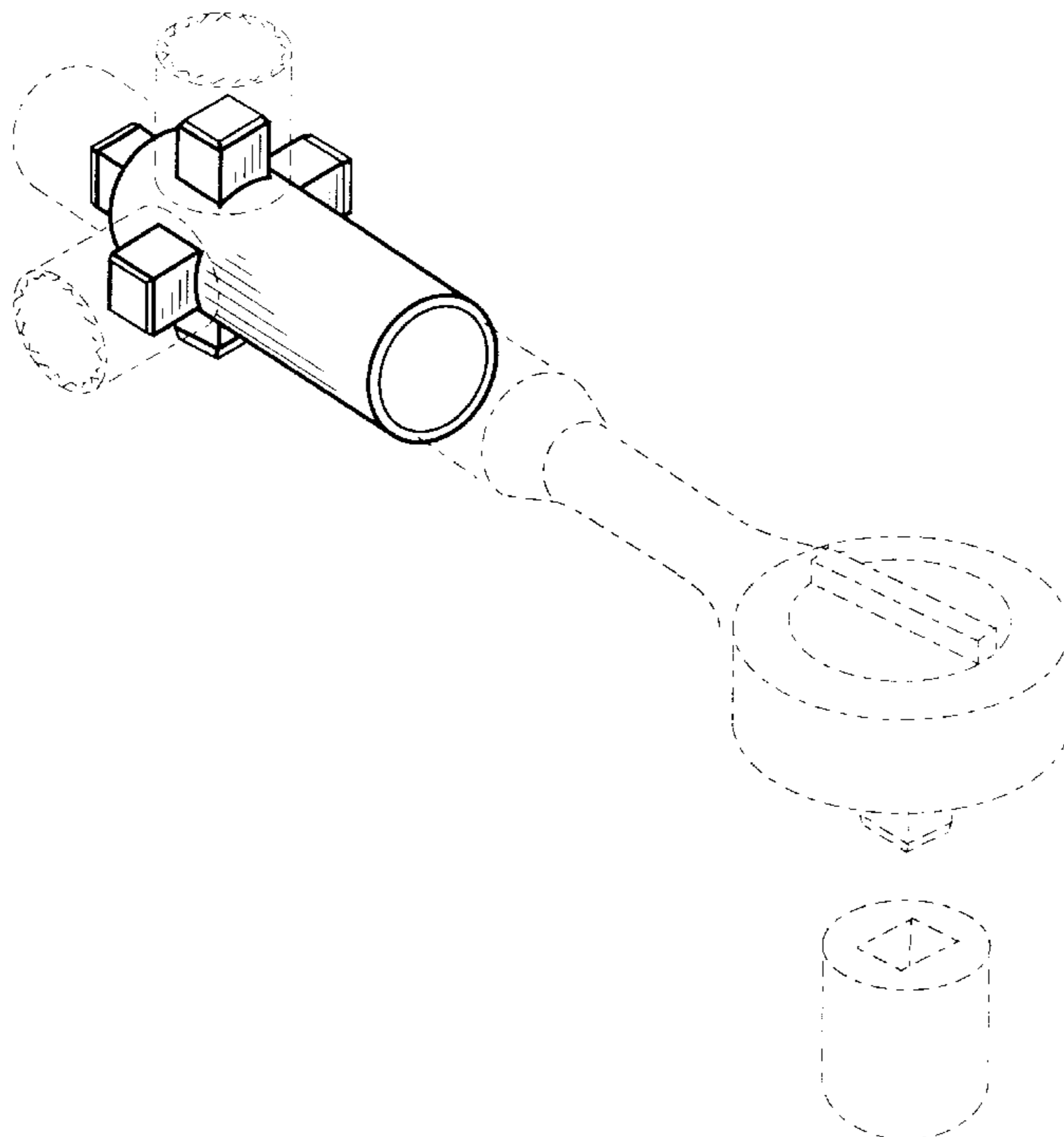
The ornamental design for a hand tool accessory holder, as shown.

DESCRIPTION

FIG. 1 is a rear perspective view of the hand tool accessory holder;
FIG. 2 is a front perspective view thereof;
FIG. 3 is a side elevation view thereof;
FIG. 4 is a front elevation view thereof;
FIG. 5 is a rear elevation view thereof;
FIG. 6 is a perspective view thereof; and,
FIG. 7 is a perspective view thereof.

The broken lines showing the outline of the attachments and the wrench are illustrated as environmental structure only and form no part of the claimed design.

1 Claim, 3 Drawing Sheets



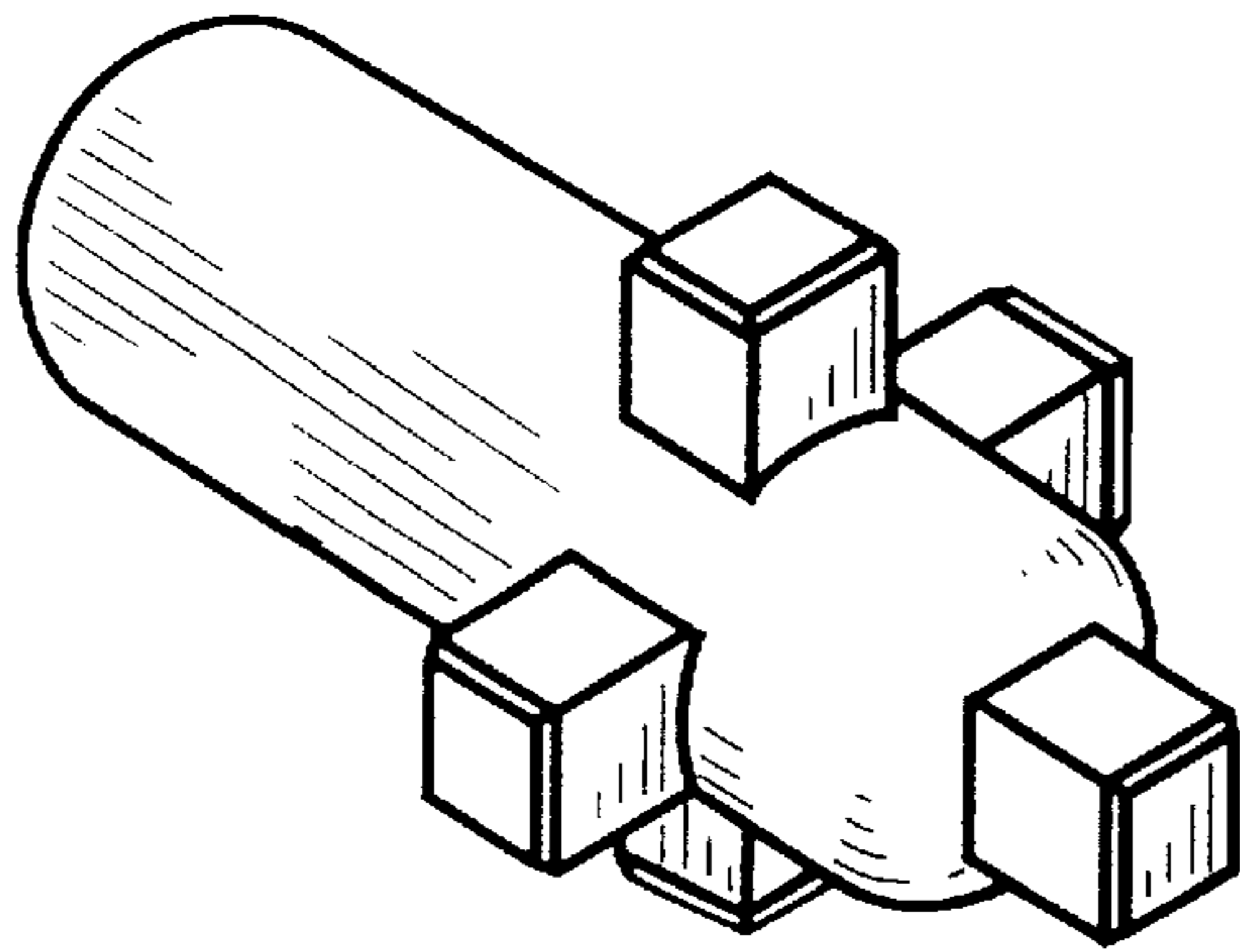


Figure 1

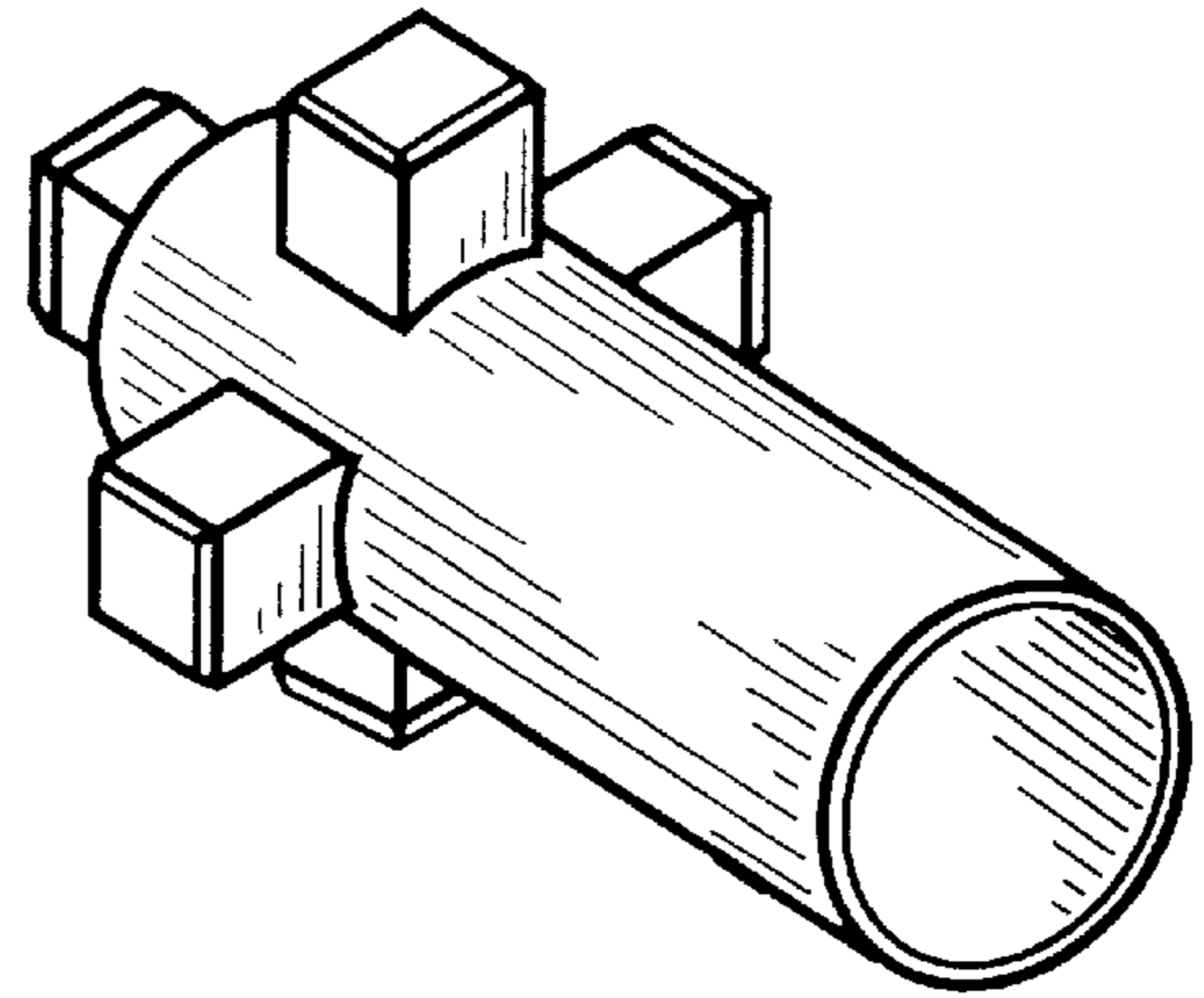


Figure 2

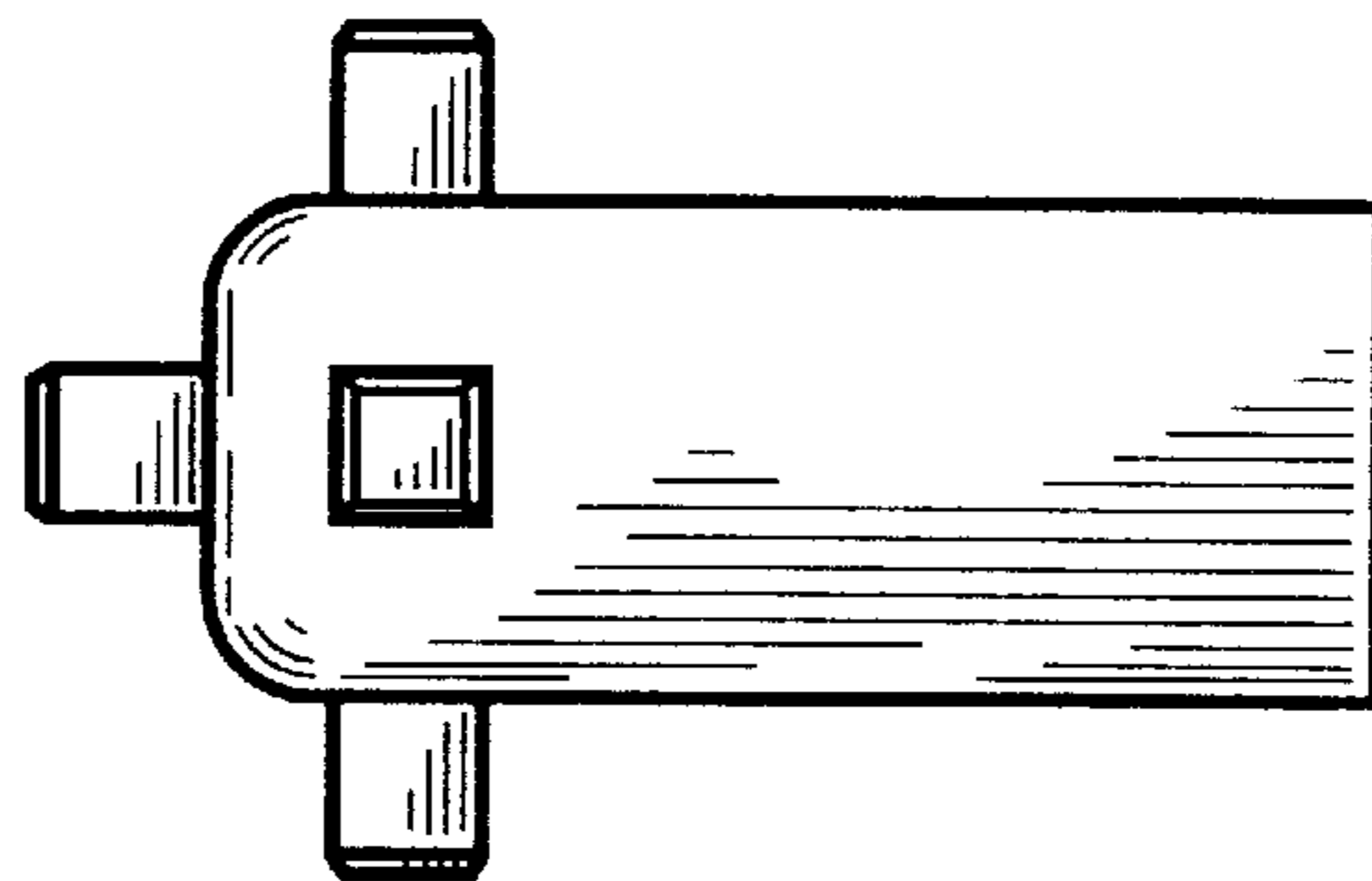


Figure 3

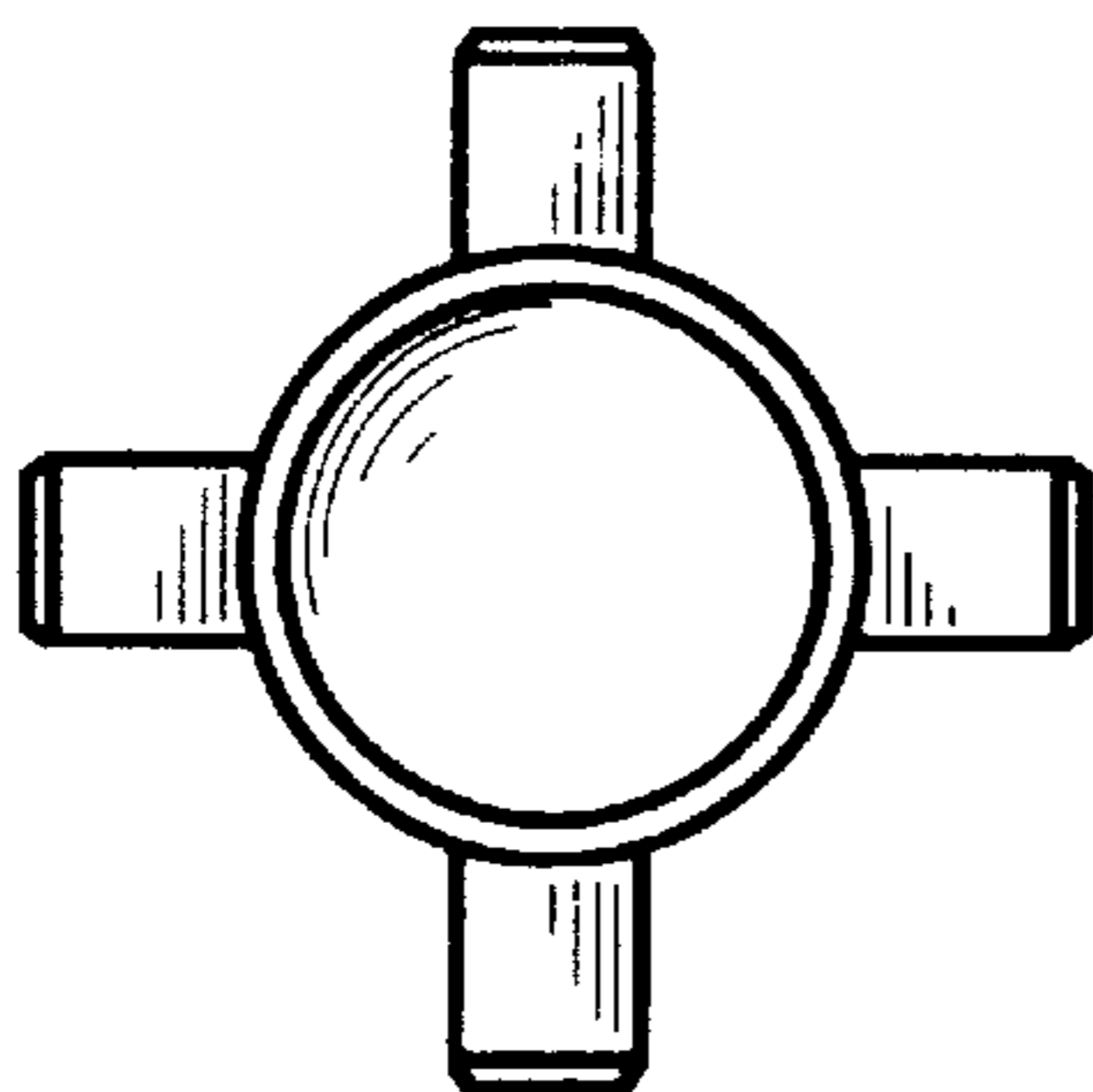


Figure 4

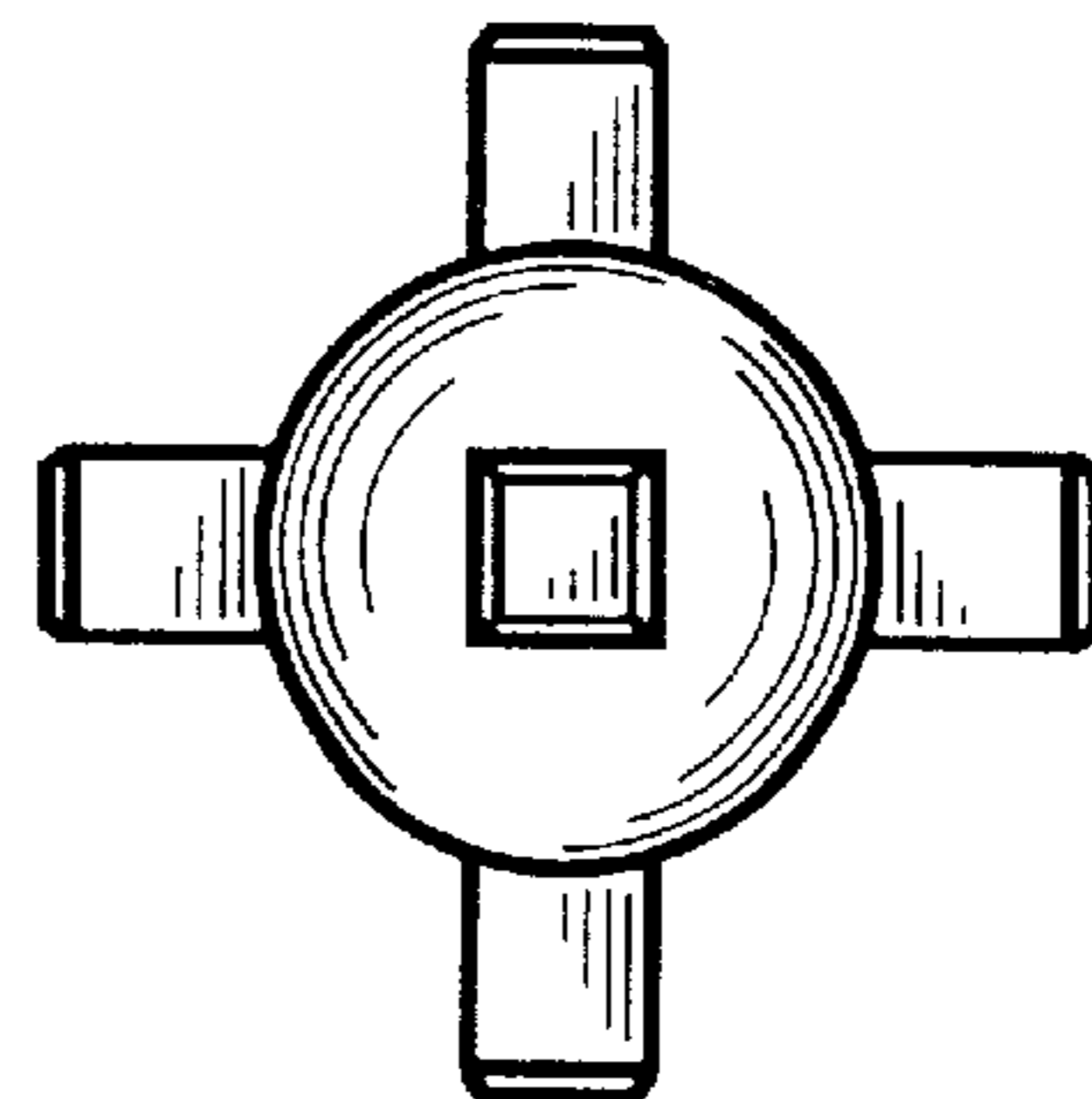


Figure 5

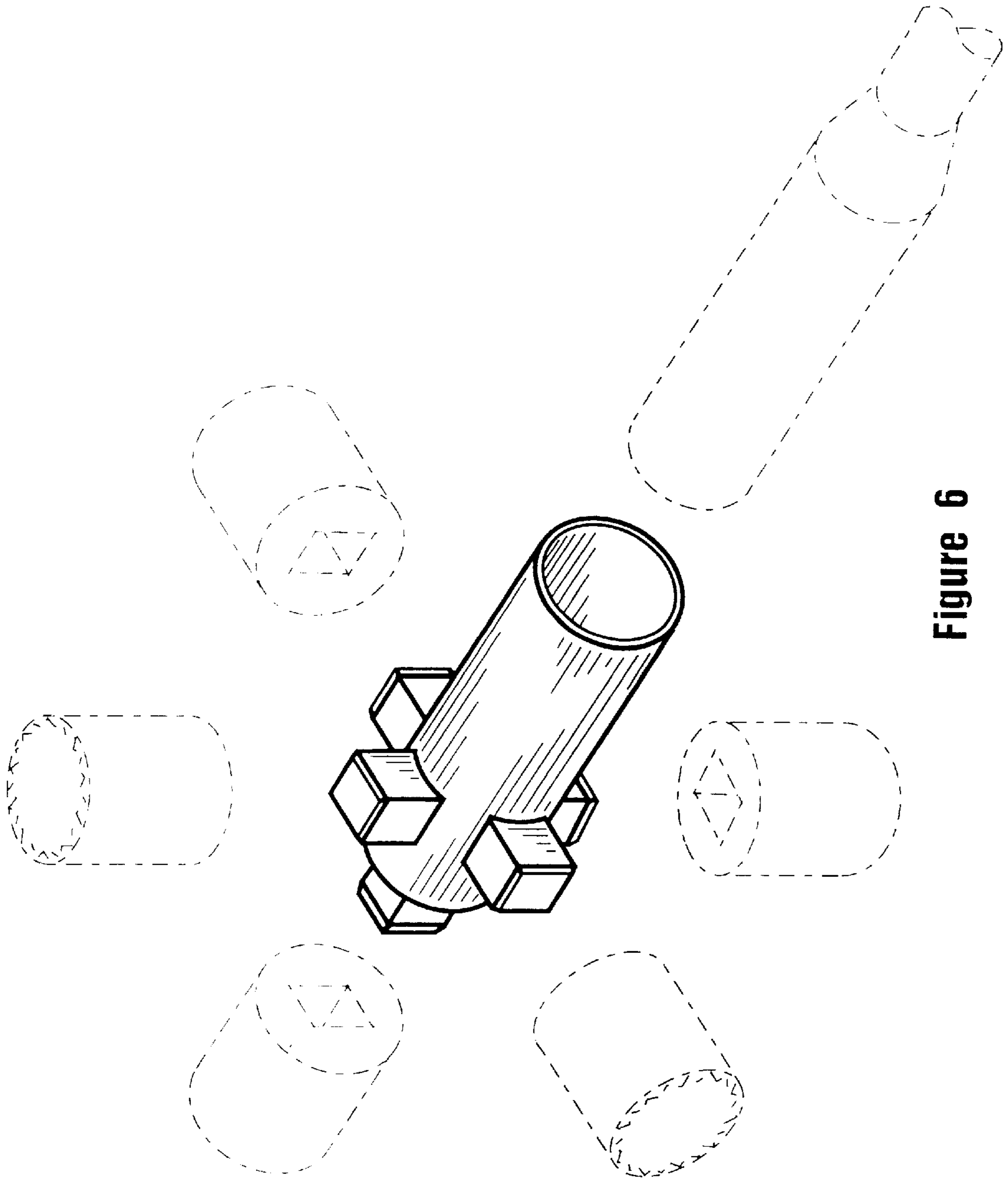


Figure 6

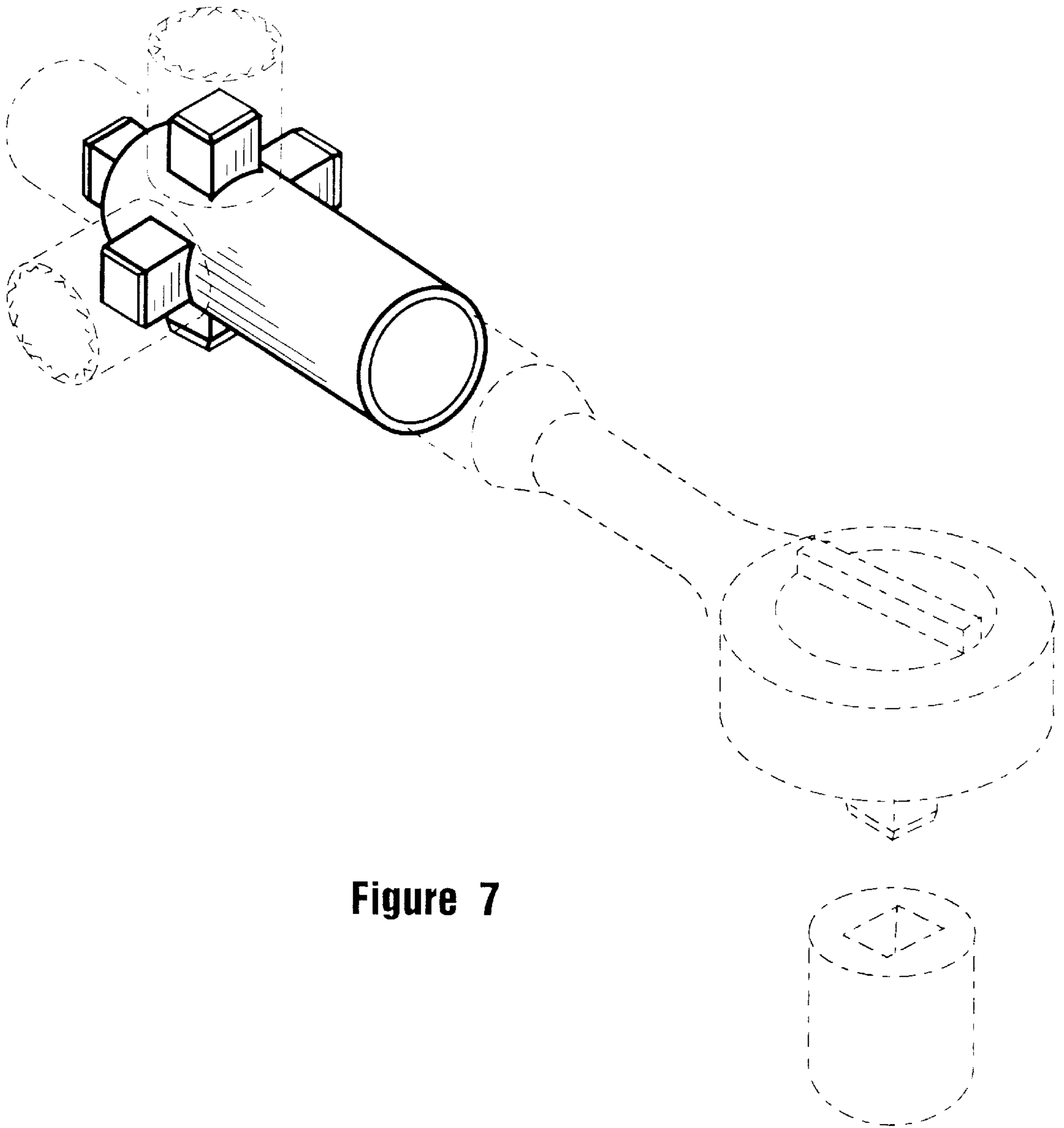


Figure 7