



US00D436302S

(12) **United States Design Patent**
Lin

(10) **Patent No.:** **US D436,302 S**

(45) **Date of Patent:** **** Jan. 16, 2001**

- (54) **HOLE-PUNCHING PLIERS**
- (75) Inventor: **Kun-Meng Lin**, Chuang-hua Hsien (TW)
- (73) Assignee: **Qualipro Enterprise Co., Ltd.**, Changhua Hsien (TW)
- (**) Term: **14 Years**
- (21) Appl. No.: **29/118,094**
- (22) Filed: **Feb. 4, 2000**
- (51) **LOC (7) Cl.** **08-05**
- (52) **U.S. Cl.** **D8/52**
- (58) **Field of Search** D8/52, 98, 51, D8/106; 72/325, 326, 331, 409.01; 30/363, 364, 366; 81/349

- 1,308,272 * 7/1919 Berglund 30/364
- 2,568,641 * 9/1951 Kramer et al. 81/349
- 4,193,191 * 3/1980 Sisco 30/364

* cited by examiner

Primary Examiner—James Gandy
Assistant Examiner—Reid Hecker
(74) *Attorney, Agent, or Firm*—Bacon & Thomas

(57) **CLAIM**

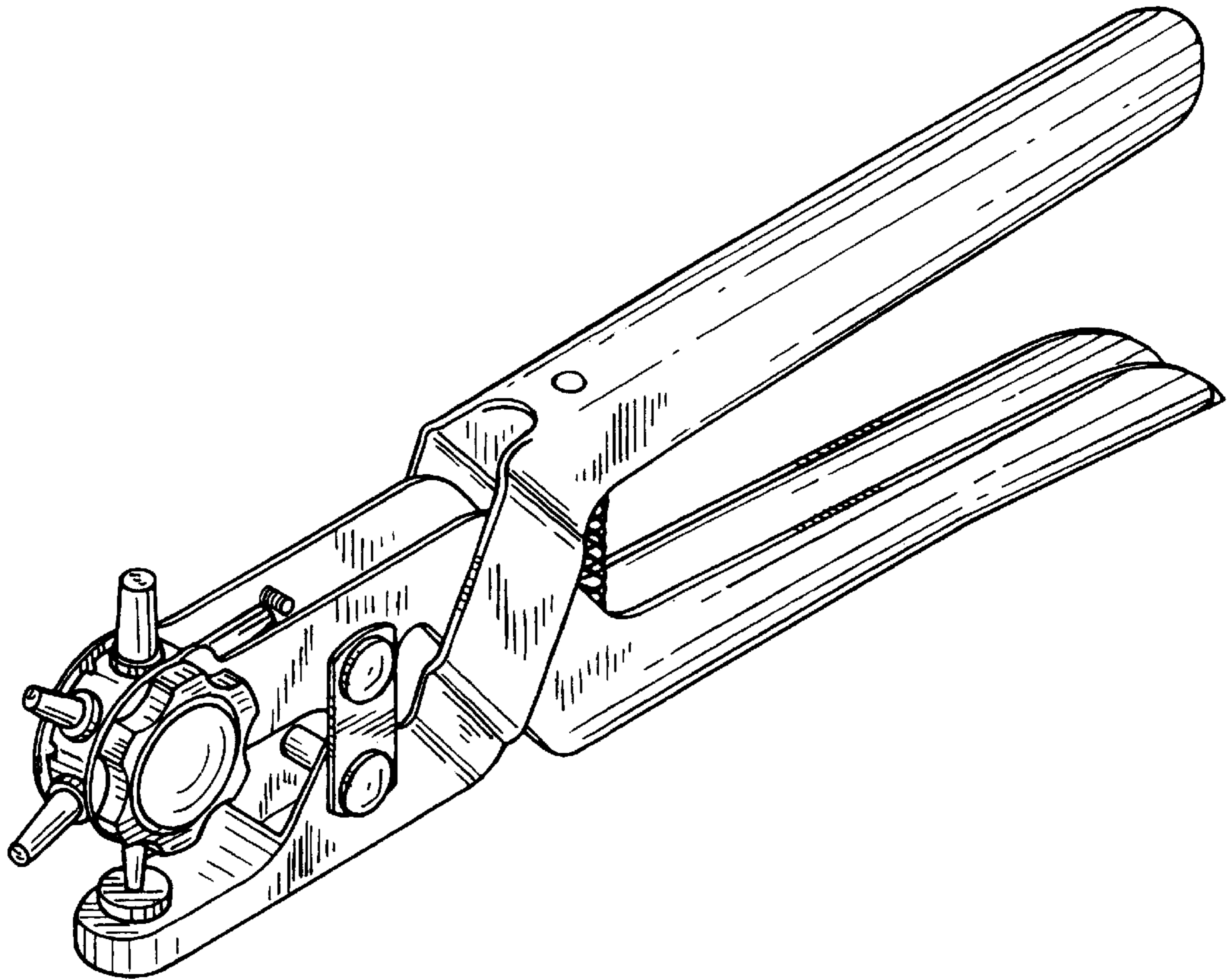
The ornamental design for hole-punching pliers, as shown and described.

DESCRIPTION

FIG. 1 is a perspective view of hole-punching pliers showing my new design.
FIG. 2 is a front view thereof;
FIG. 3 is a rear view thereof;
FIG. 4 is a left side view thereof;
FIG. 5 is a right side view thereof;
FIG. 6 is a top view thereof; and,
FIG. 7 is a bottom view thereof.

- (56) **References Cited**
- U.S. PATENT DOCUMENTS**
- 664,299 * 12/1900 Smith 30/364
- 1,126,324 * 1/1915 Weinstein 30/364

1 Claim, 4 Drawing Sheets



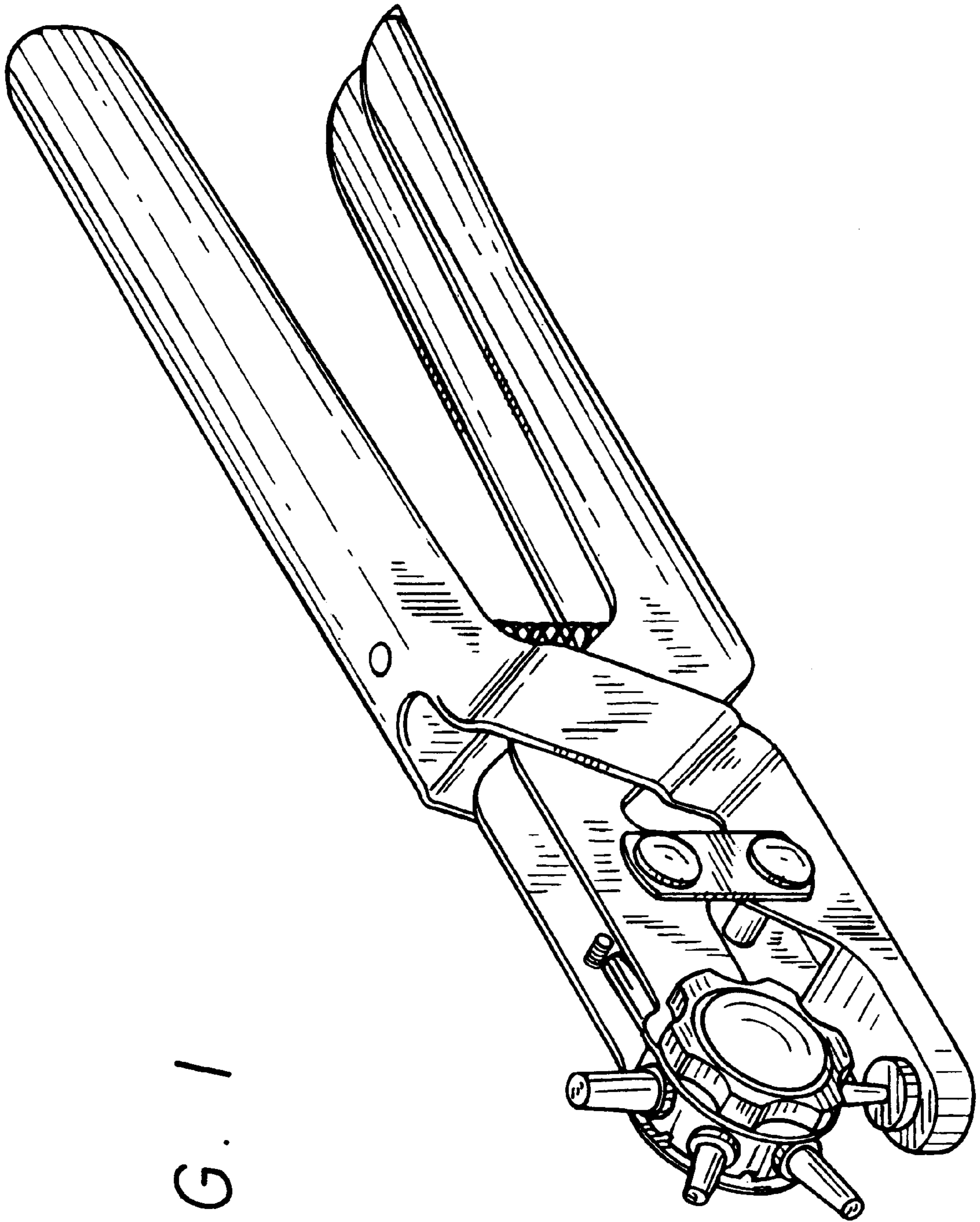


FIG. 1

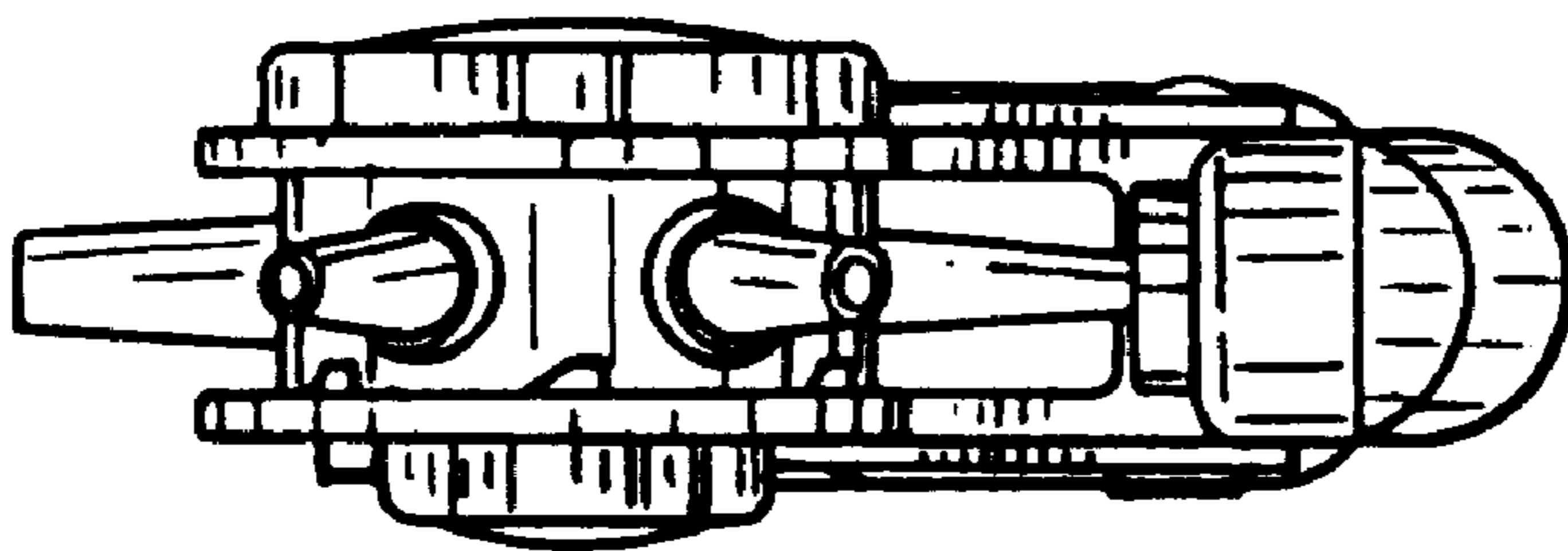
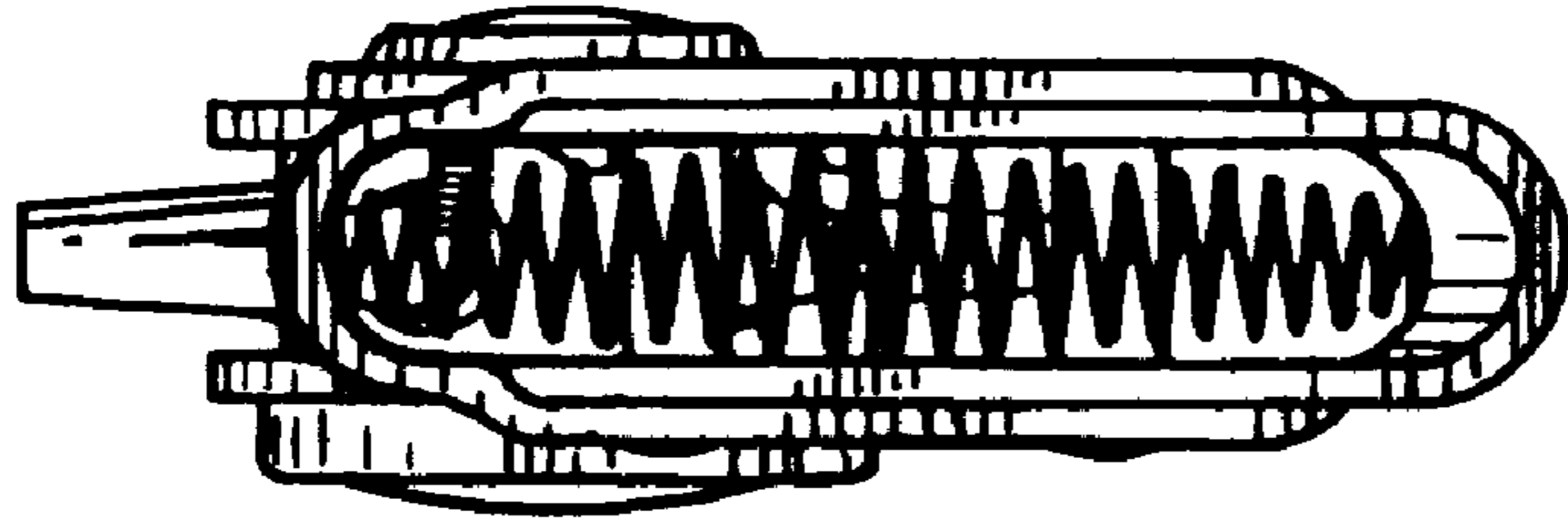


FIG. 2

FIG. 3

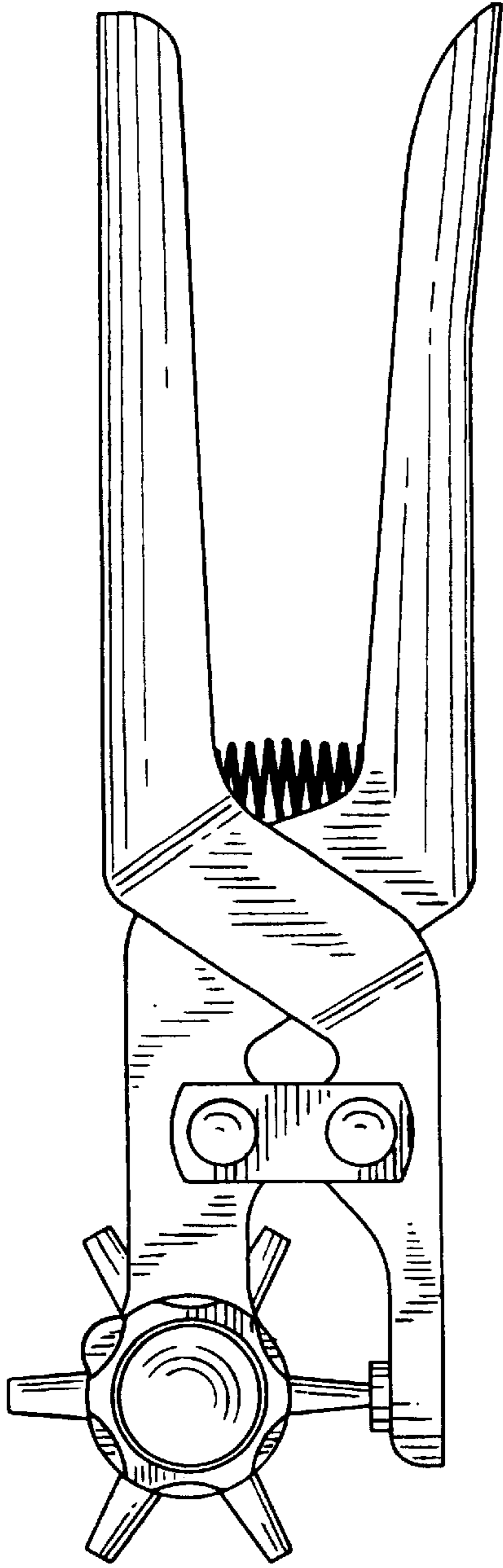


FIG. 5

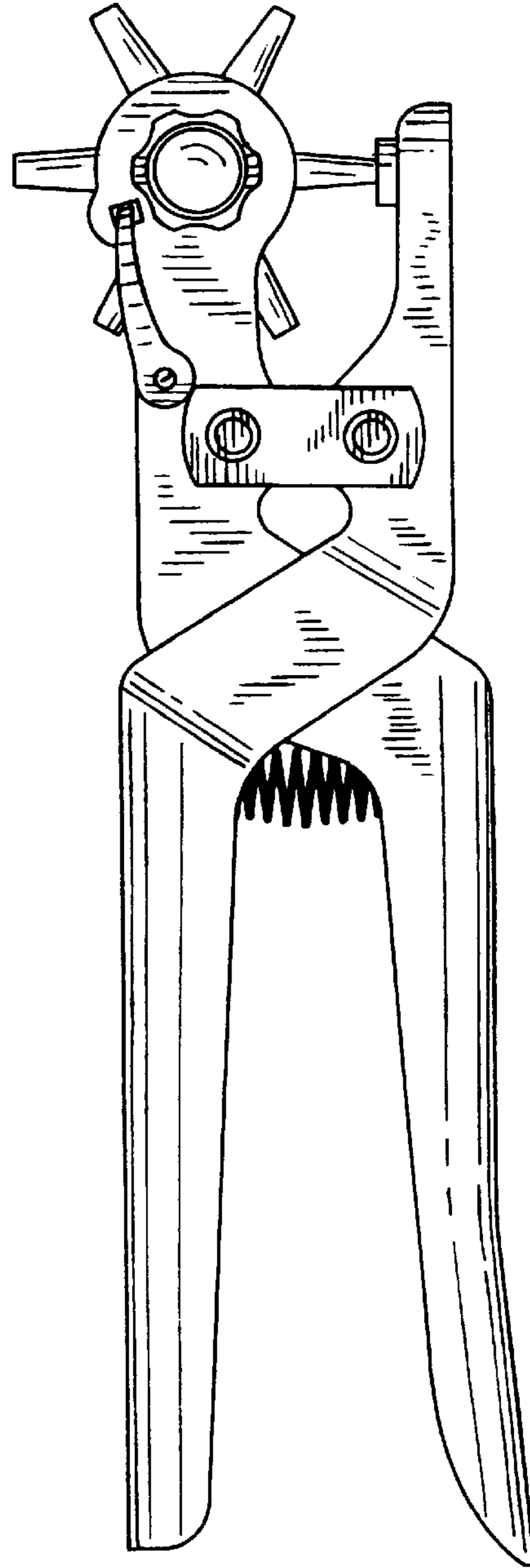


FIG. 4

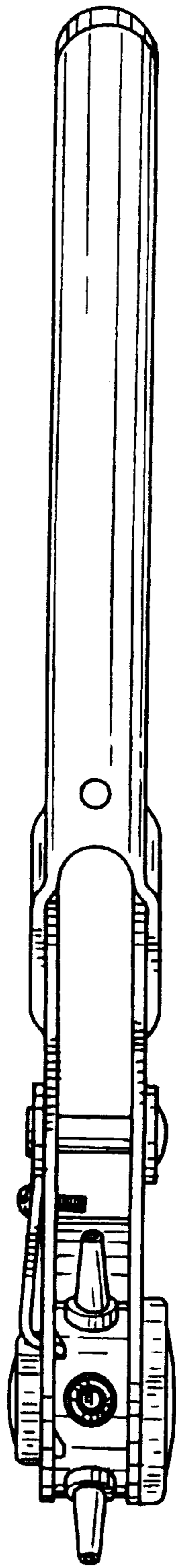


FIG. 6

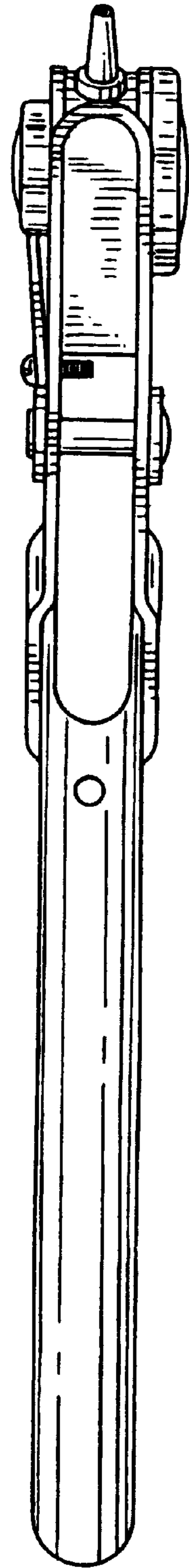


FIG. 7