



US00D436301S

(12) **United States Design Patent**
Savio et al.

(10) **Patent No.:** **US D436,301 S**

(45) **Date of Patent:** **** Jan. 16, 2001**

(54) **JAR AND BOTTLE OPENER**

4,085,632 * 4/1978 Hogan et al. 81/3.25
5,154,101 * 10/1992 Wolford et al. 81/3.25

(76) Inventors: **Peter A. Savio**, 6200 Corwin Ave.,
Niagara Falls, Ontario (CA), L2G 5L8;
John P. Savio, 46 Gale Cres., St.
Catharines, Ontario (CA), L2R 7R1

FOREIGN PATENT DOCUMENTS

1950256 * 4/1971 (DE) 81/3.4

(**) **Term:** **14 Years**

* cited by examiner

Primary Examiner—Ted Shooman
Assistant Examiner—Adir Aronovich

(21) **Appl. No.:** **29/053,335**

(57) **CLAIM**

(22) **Filed:** **Apr. 15, 1996**

The ornamental design for a jar and bottle opener, as shown and described.

(51) **LOC (7) Cl.** **07-99**

(52) **U.S. Cl.** **D8/37; D8/18**

(58) **Field of Search** D8/18, 33, 34-41;
7/151; 81/3.25, 3.4, 3.55

DESCRIPTION

(56) **References Cited**

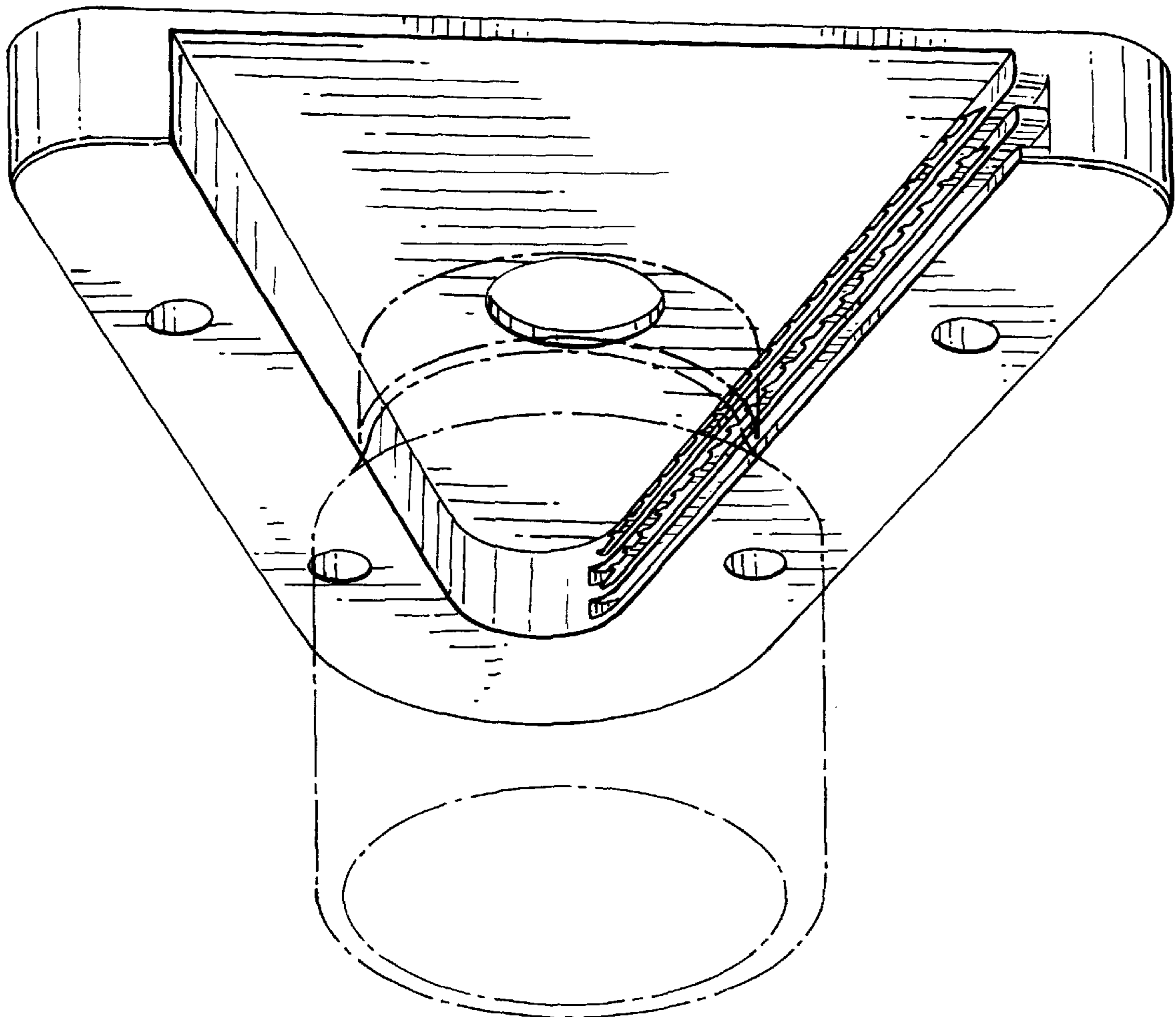
FIG. 1 is a bottom perspective view of a jar and bottle opener showing our new design, a jar shown in broken lines is for illustrative purposes only and forms no part of the claimed design;

U.S. PATENT DOCUMENTS

D. 258,192 * 2/1981 Maloney D8/18
D. 267,624 * 1/1983 Funka, Sr. D8/37
D. 277,925 * 3/1985 Blackburn D8/37

FIG. 2 is a front end view of the jar and bottle opener; and, FIG. 3 is a top perspective view thereof.

1 Claim, 2 Drawing Sheets



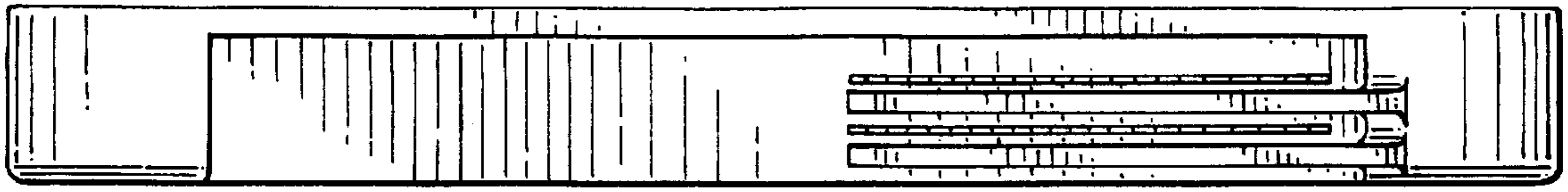


FIG. 2

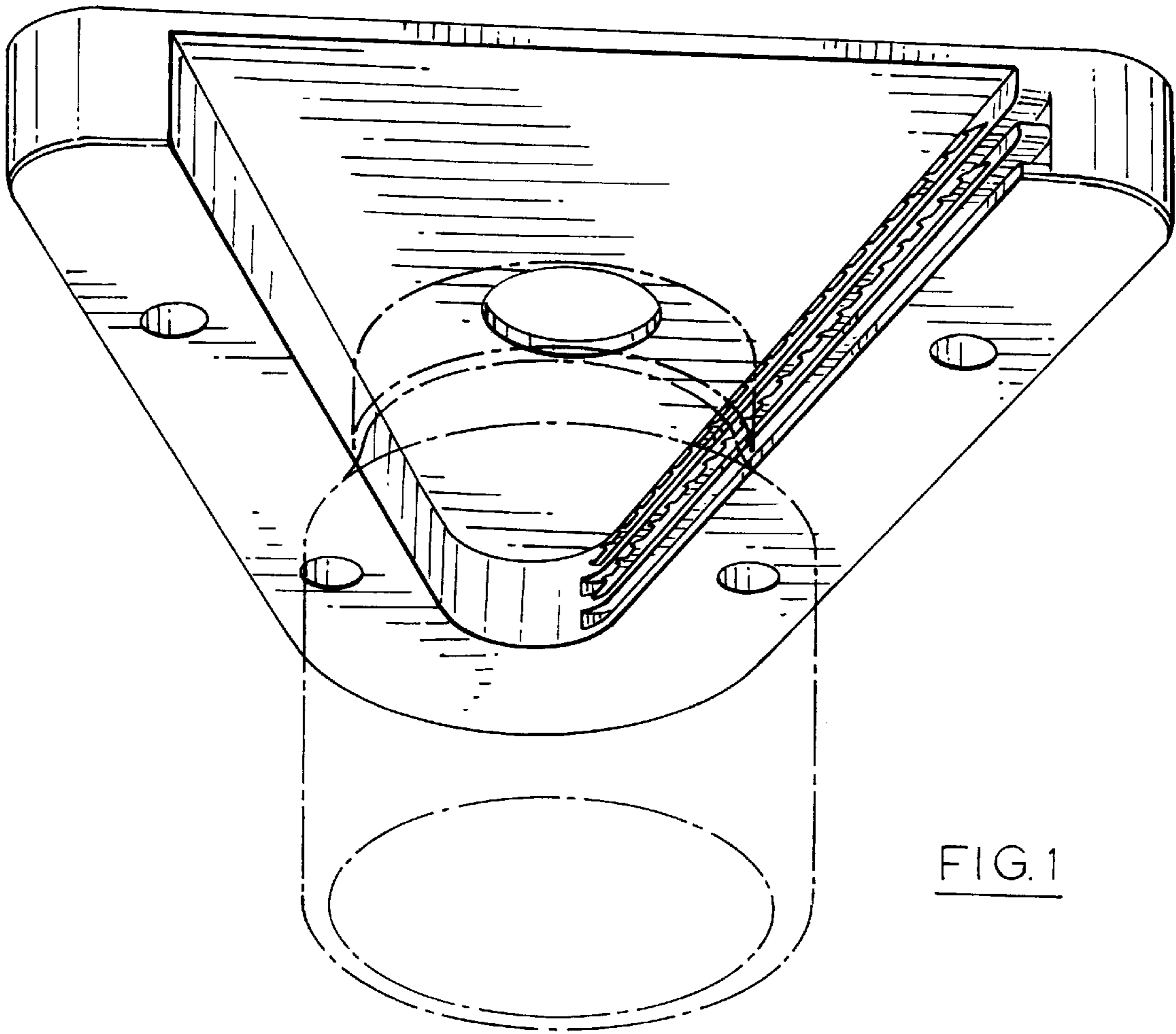


FIG. 1

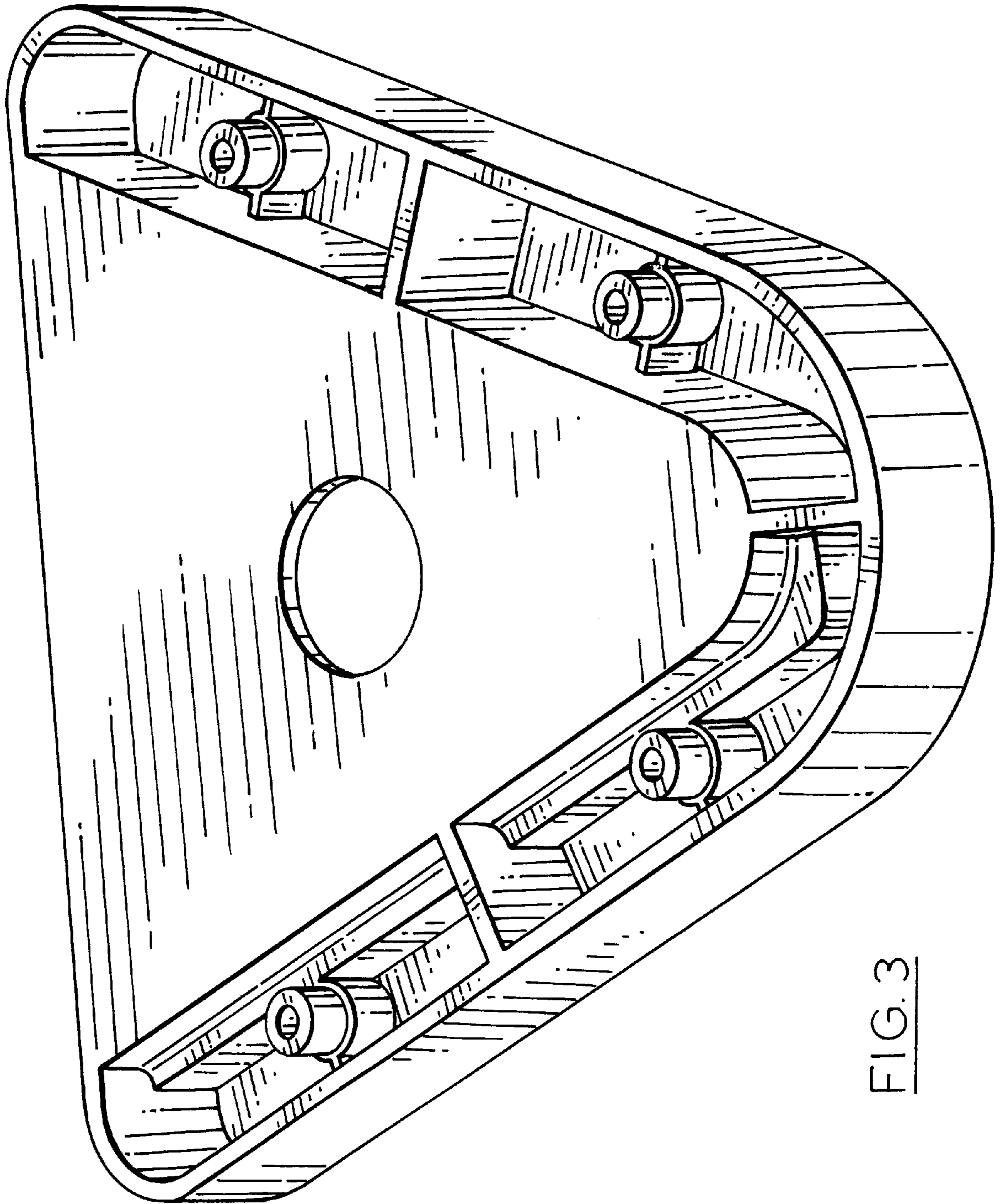


FIG. 3