



US00D436294S

(12) **United States Design Patent**
Marck

(10) **Patent No.:** **US D436,294 S**

(45) **Date of Patent:** **** Jan. 16, 2001**

(54) **MUG HAVING A LID**

(75) **Inventor:** **Gary G. Marck**, Holland, OH (US)

(73) **Assignee:** **G. G. Marck & Associates**, Toledo, OH (US)

(**) **Term:** **14 Years**

(21) **Appl. No.:** **29/117,698**

(22) **Filed:** **Jan. 28, 2000**

(51) **LOC (7) Cl.** **07-01**

(52) **U.S. Cl.** **D7/511; D7/536; D7/532**

(58) **Field of Search** **D7/509, 507, 523, D7/532, 536, 533, 530, 531, 312, 510; 220/729, 23.86, 610; 206/519, 217, 520; 426/86; 366/341; D9/429; D11/152**

(56) **References Cited**

U.S. PATENT DOCUMENTS

D. 120,226	*	4/1940	Lundy	D7/532
D. 124,317	*	12/1940	Lundy	D7/532
D. 346,933	*	5/1994	Denny et al.	D7/536
D. 362,369	*	9/1995	Bridges	D7/536
D. 369,063	*	4/1996	Meisner	D7/533
D. 373,051	*	8/1996	Kramer et al.	D7/536
D. 397,912	*	9/1998	Goessling, Jr.	D7/536

D. 400,401	*	11/1998	Lynd	D7/536
D. 407,946	*	4/1999	Brewer et al.	D7/510
D. 411,713	*	6/1999	Bridges	D7/536
D. 417,365	*	12/1999	Huang	D7/511
D. 417,591	*	12/1999	Roehrig	D7/510
D. 418,013	*	12/1999	Fujii	D7/510
D. 427,853	*	7/2000	Kohlhase	D7/510
D. 428,306	*	7/2000	Lee	D7/510
5,531,353	*	7/1996	Ward et al.	220/729

* cited by examiner

Primary Examiner—M. N. Pandozzi

(74) *Attorney, Agent, or Firm*—Emch, Schaffer, Schaub & Porcello, Co., L.P.A.

(57) **CLAIM**

The ornamental design for a mug having a lid, as shown and described.

DESCRIPTION

FIG. 1 is a front elevational view of the design according to the present invention; the back elevational view being a mirror image thereof;

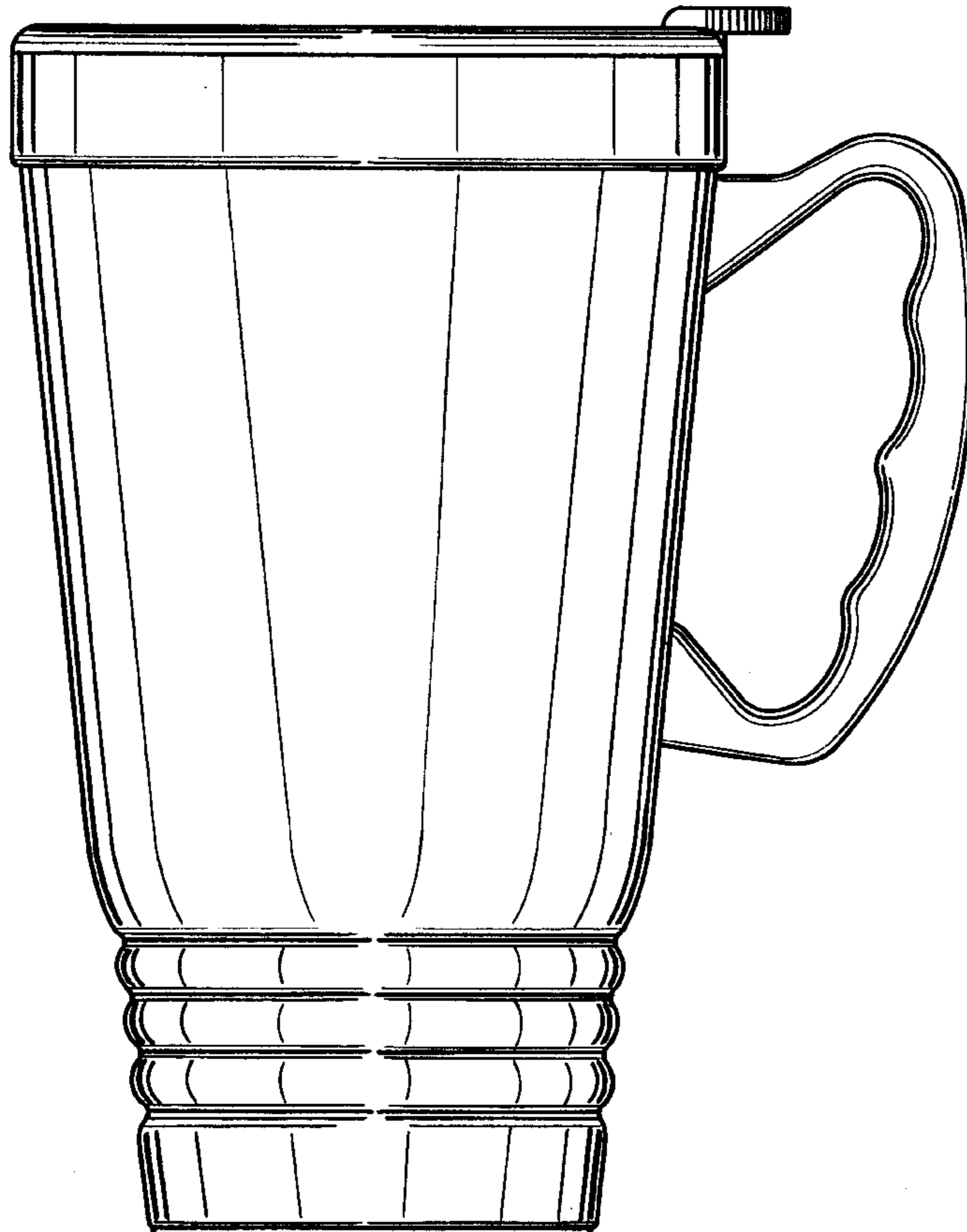
FIG. 2 is a first side elevational view thereof;

FIG. 3 is a second side elevational view thereof;

FIG. 4 is a top view thereof; and,

FIG. 5 is a bottom view thereof.

1 Claim, 4 Drawing Sheets



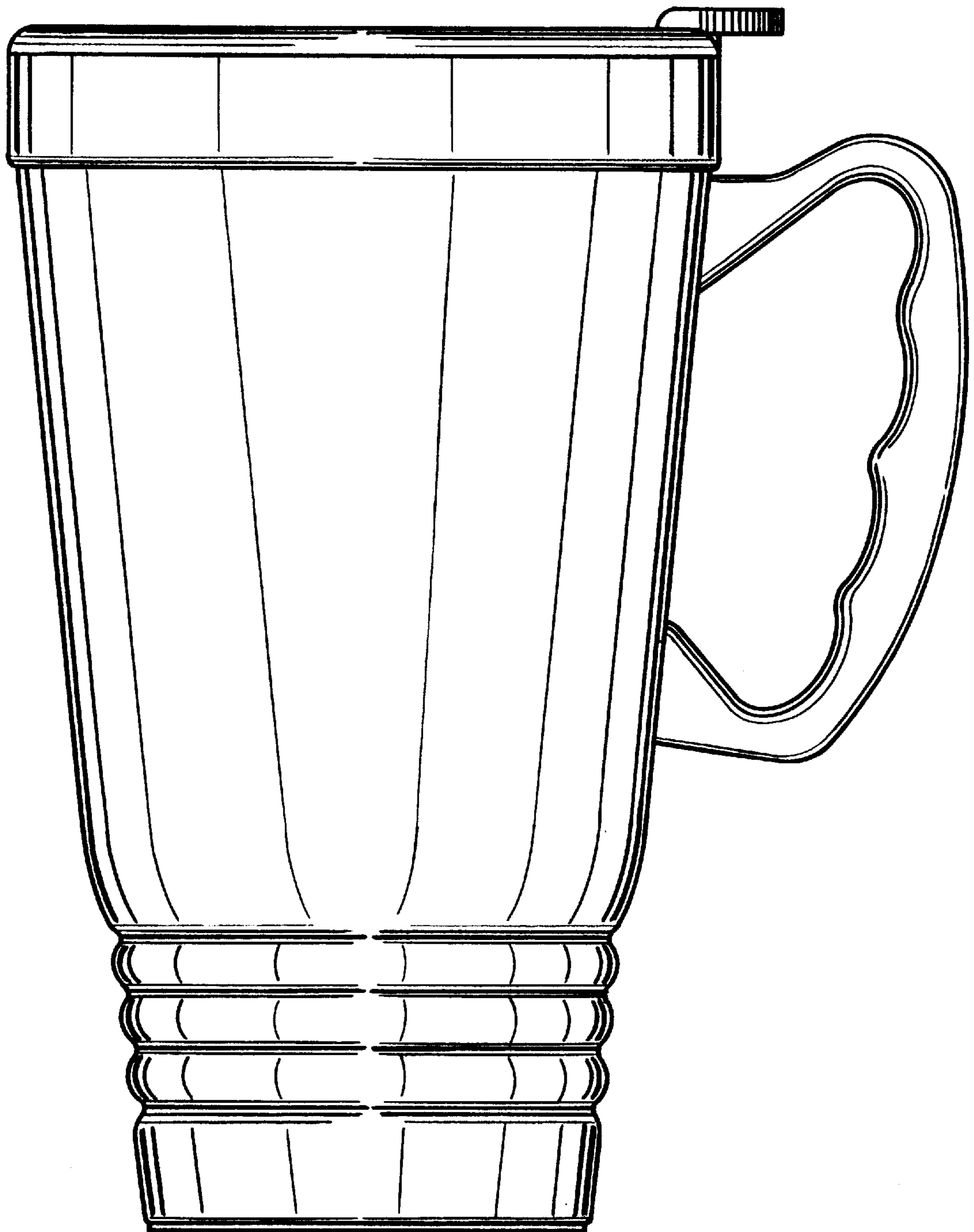


FIG. 1

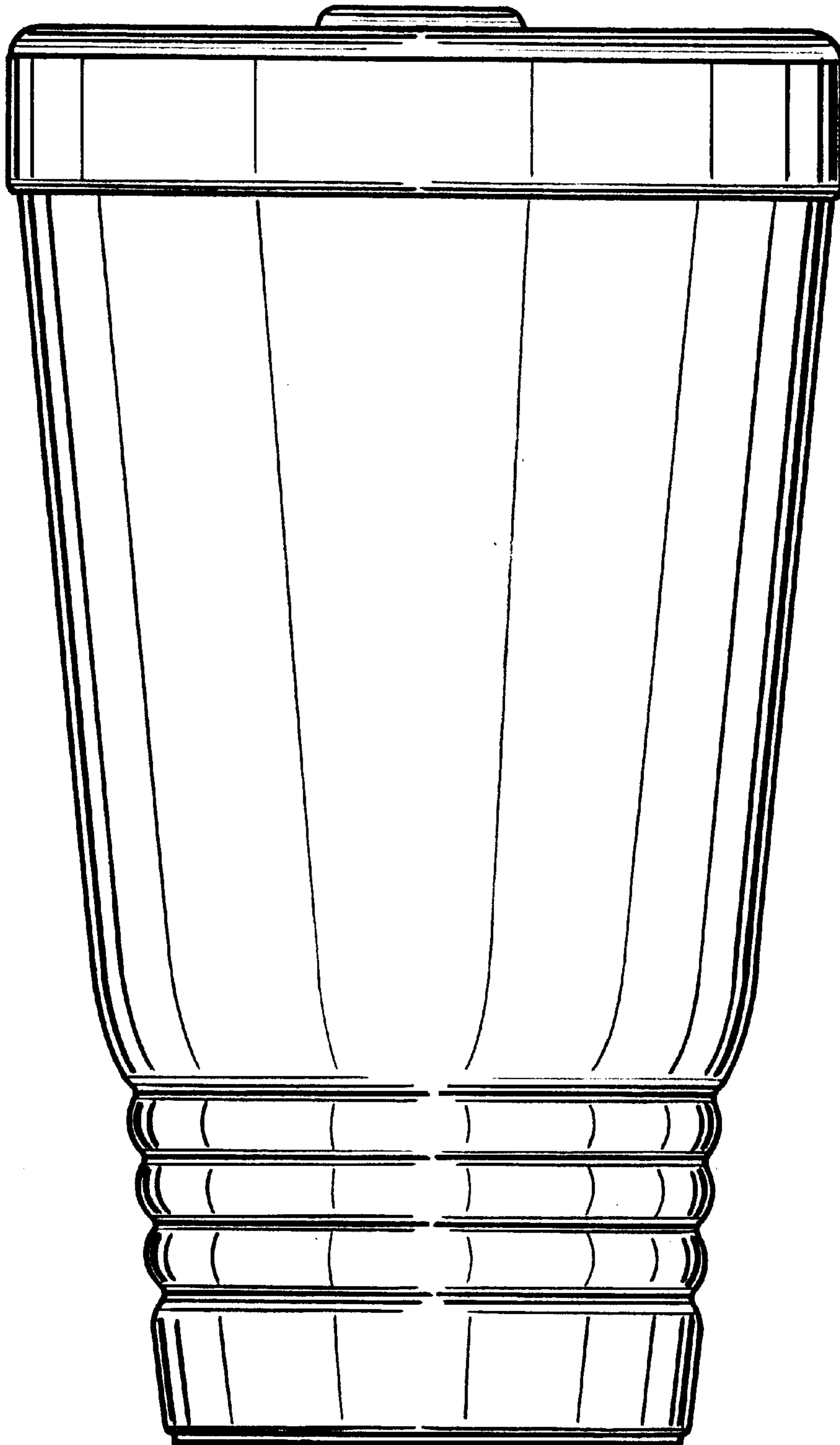


FIG. 2

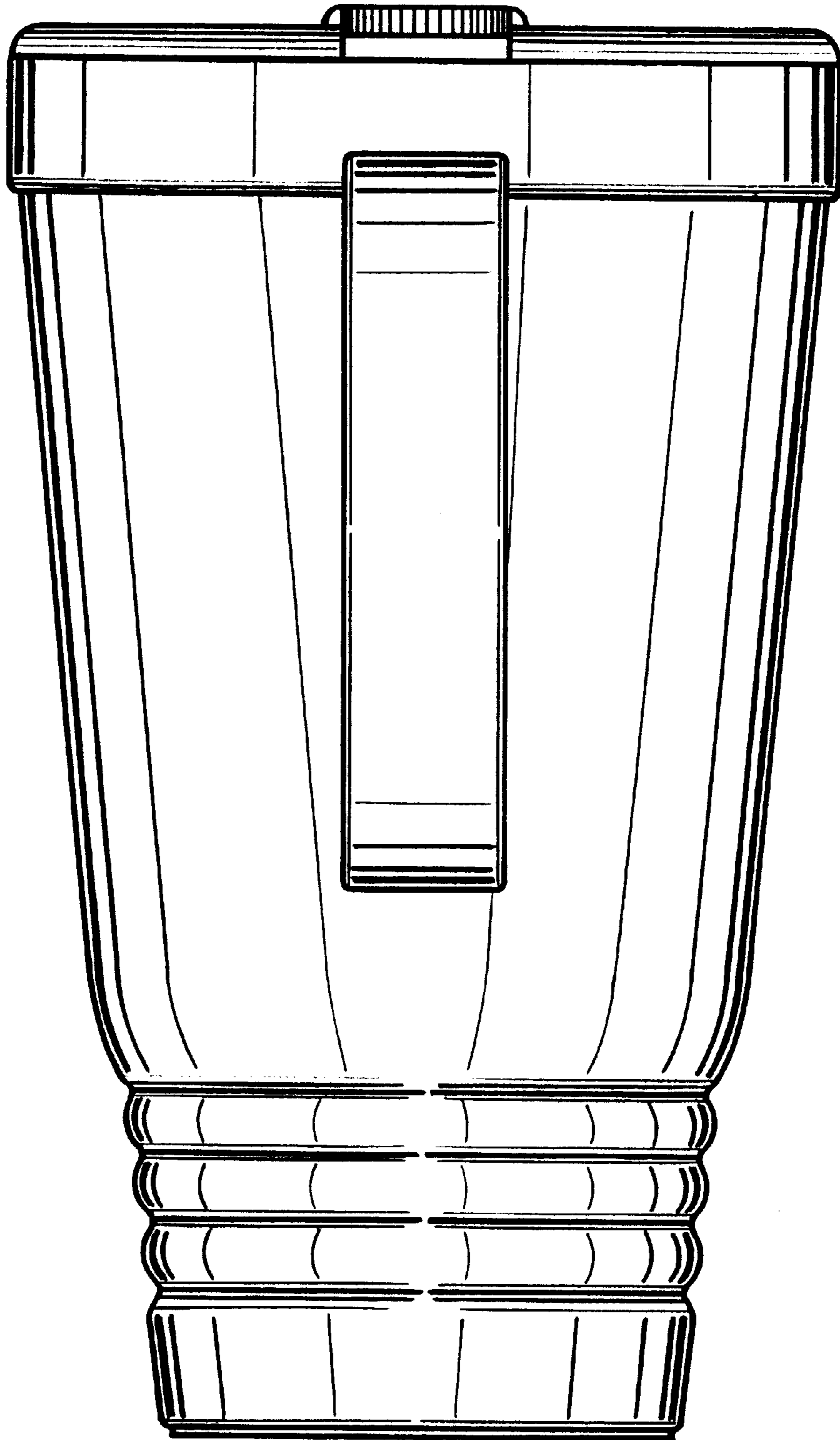


FIG 3

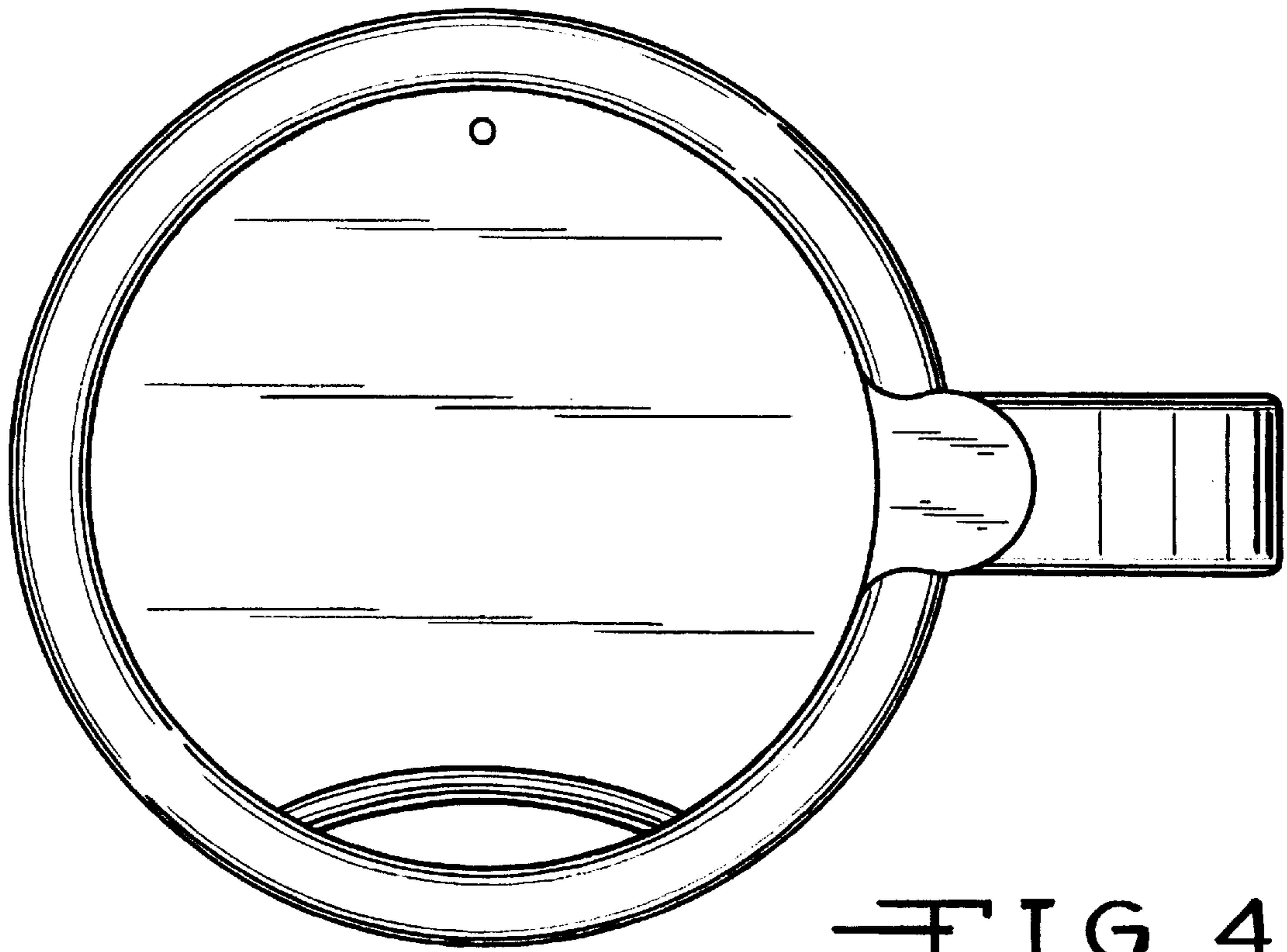


FIG. 4

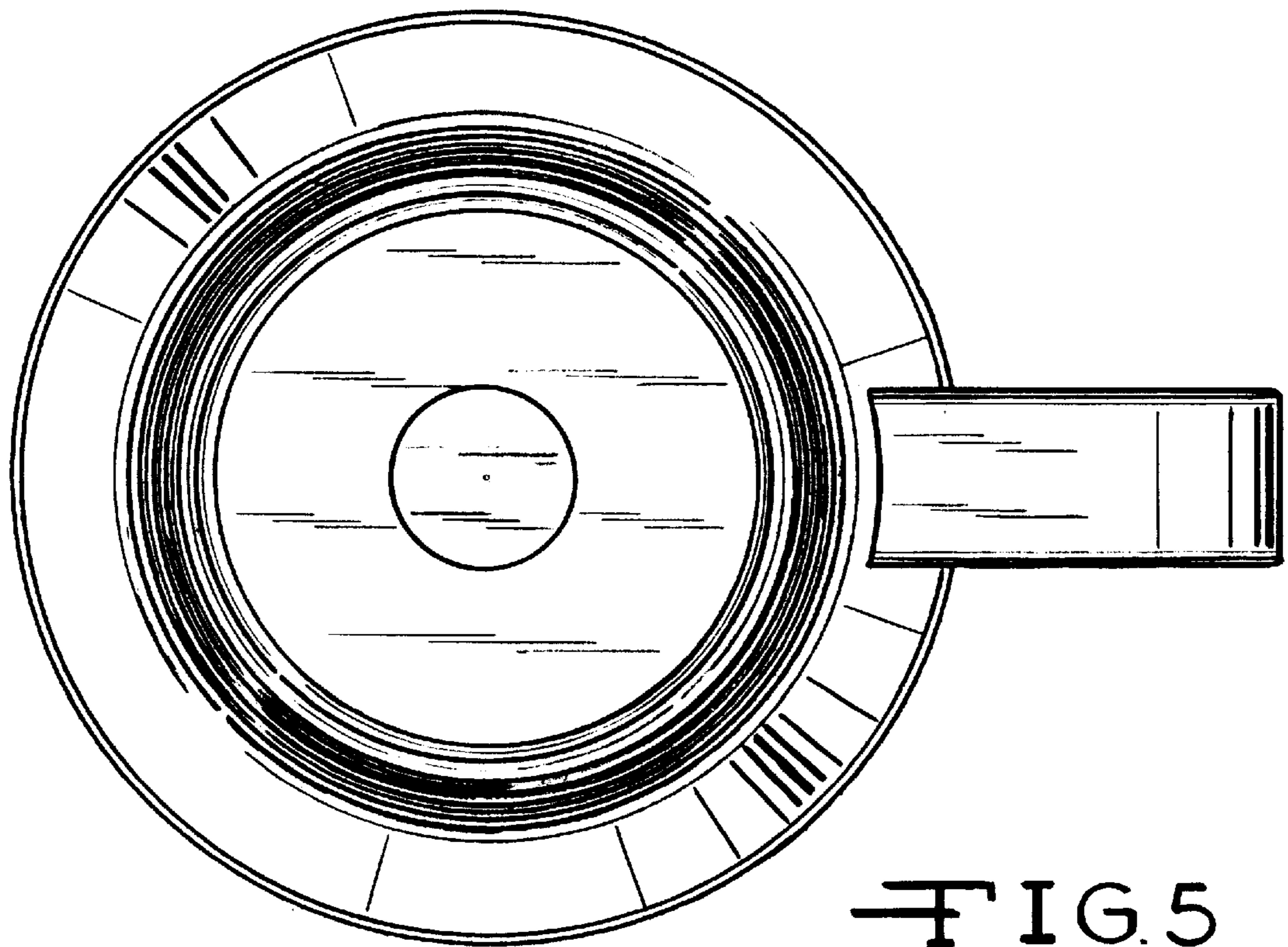


FIG. 5