



US00D436292S

(12) **United States Design Patent**
Betras

(10) **Patent No.:** **US D436,292 S**

(45) **Date of Patent:** **** Jan. 16, 2001**

(54) **DOUBLE CHAMBERED CONTAINER WITH BOTTOM CAP**

(75) Inventor: **Joe Betras**, Spartanburg, SC (US)

(73) Assignee: **Betras Plastics, Inc.**, Spartanburg, SC (US)

(*) Notice: This patent is subject to a terminal disclaimer.

(**) Term: **14 Years**

(21) Appl. No.: **29/115,493**

(22) Filed: **Dec. 15, 1999**

(51) **LOC (7) Cl.** **07-01**

(52) **U.S. Cl.** **D7/510; D7/511; D7/529**

(58) **Field of Search** D7/507, 510, 511, D7/529, 509, 532, 300.2, 531, 513, 608, 619, 605; 220/704, 717, 710, 714; 215/11.1, 229; 222/572

(56) **References Cited**

U.S. PATENT DOCUMENTS

- D. 372,639 * 8/1996 Kristnik D7/511
- D. 377,293 * 1/1997 Husted D7/510
- D. 377,737 * 2/1997 Kristnik D7/511
- D. 399,392 * 10/1998 Husted D7/511
- D. 409,442 * 5/1999 Kilpatrick et al. D7/513
- D. 417,589 * 12/1999 Parker D7/510

D. 420,254 * 2/2000 Park D7/510

* cited by examiner

Primary Examiner—M. N. Pandozzi

(74) *Attorney, Agent, or Firm*—Dority & Manning, PA

(57) **CLAIM**

The ornamental design for a double chambered container with bottom cap, as shown and described.

DESCRIPTION

FIG. 1 is a perspective view of the doubled chambered container with bottom cap according to the present invention.

FIG. 2 is a top view of the double chambered container with bottom cap as illustrated in FIG. 1.

FIG. 3 is a side view of the double chambered container with bottom cap as illustrated in FIG. 1.

FIG. 4 is another side view of the double chambered container with bottom cap as illustrated in FIG. 1.

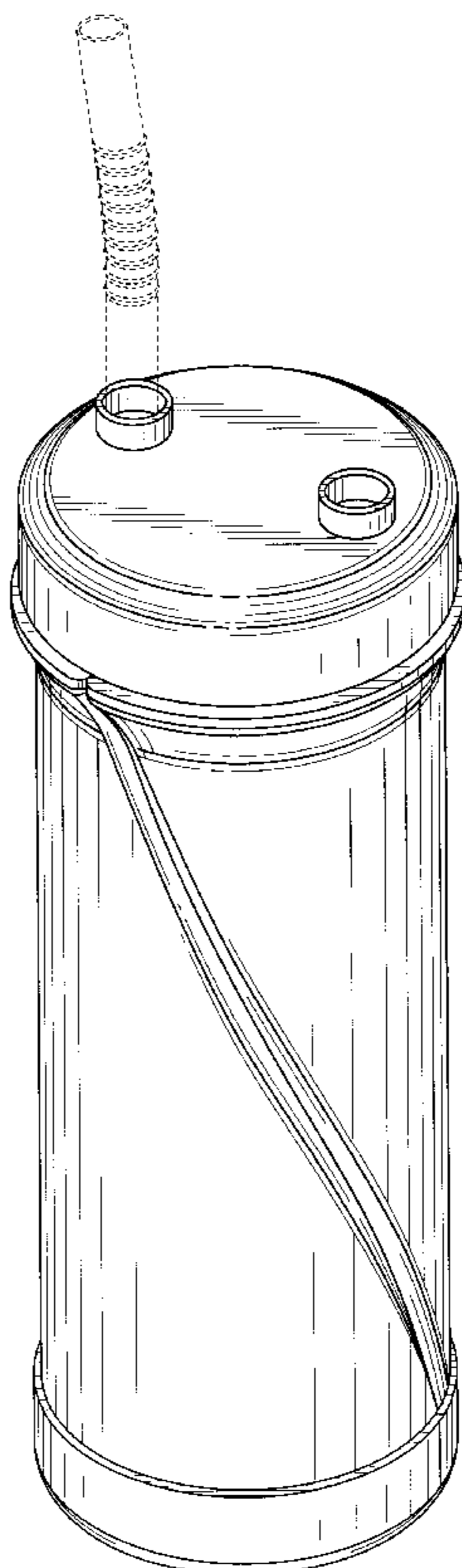
FIG. 5 is a bottom view of the double chambered container with bottom cap as illustrated in FIG. 1.

FIG. 6 is another side view of the double chambered container with bottom cap as illustrated in FIG. 1; and,

FIG. 7 is another side view of the double chambered container with bottom cap as illustrated in FIG. 1.

The broken line showing of a straw in FIG. 1 is for illustrative purposes only and forms no part of the claimed design.

1 Claim, 4 Drawing Sheets



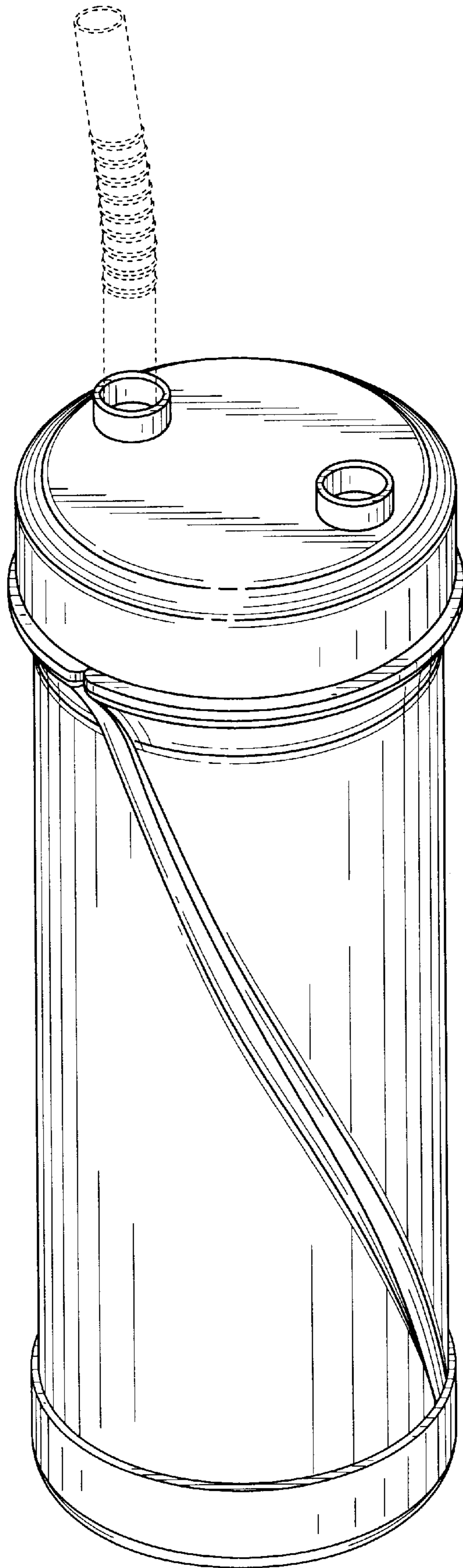


FIG. 1.

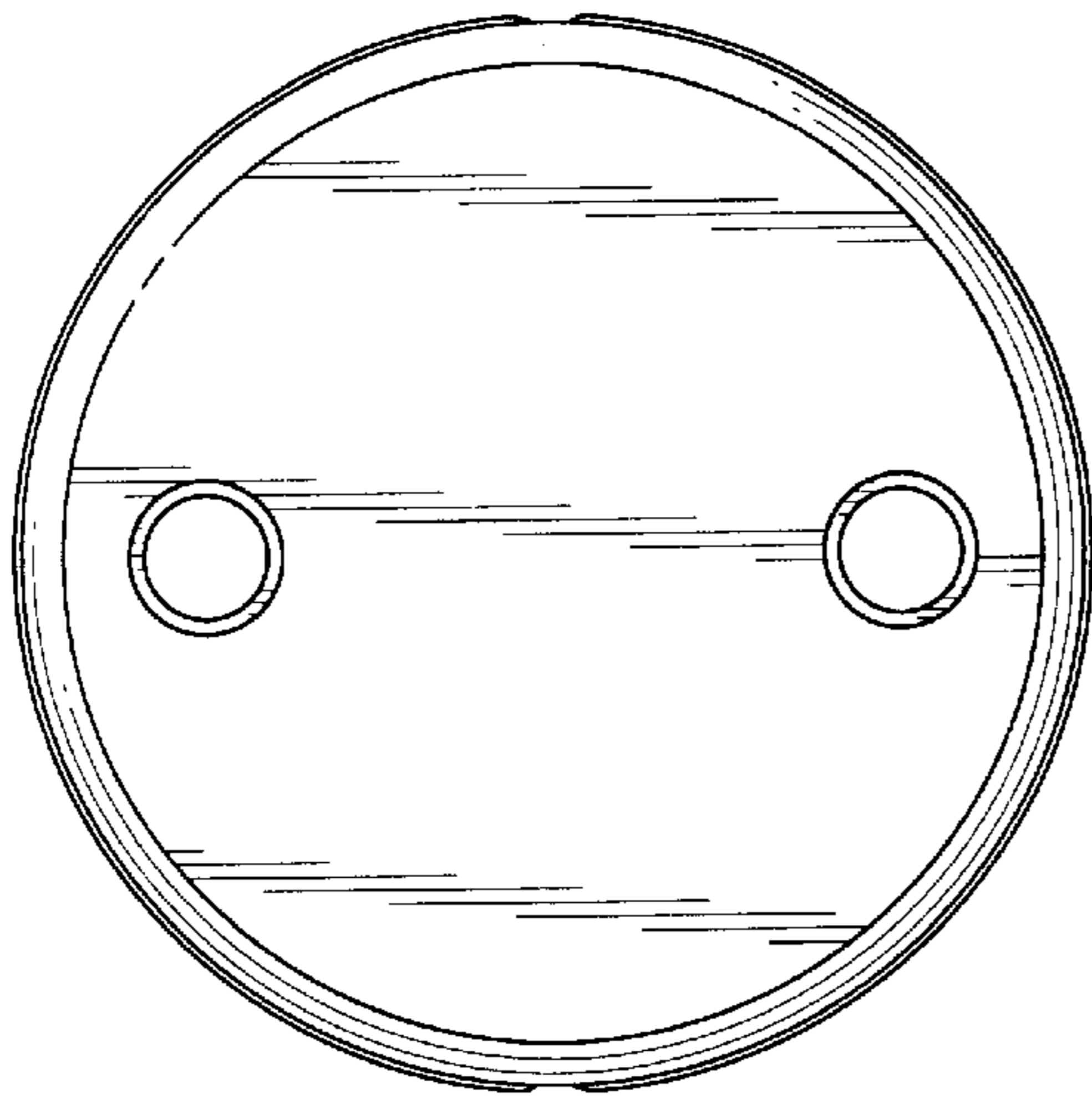


FIG. 2.

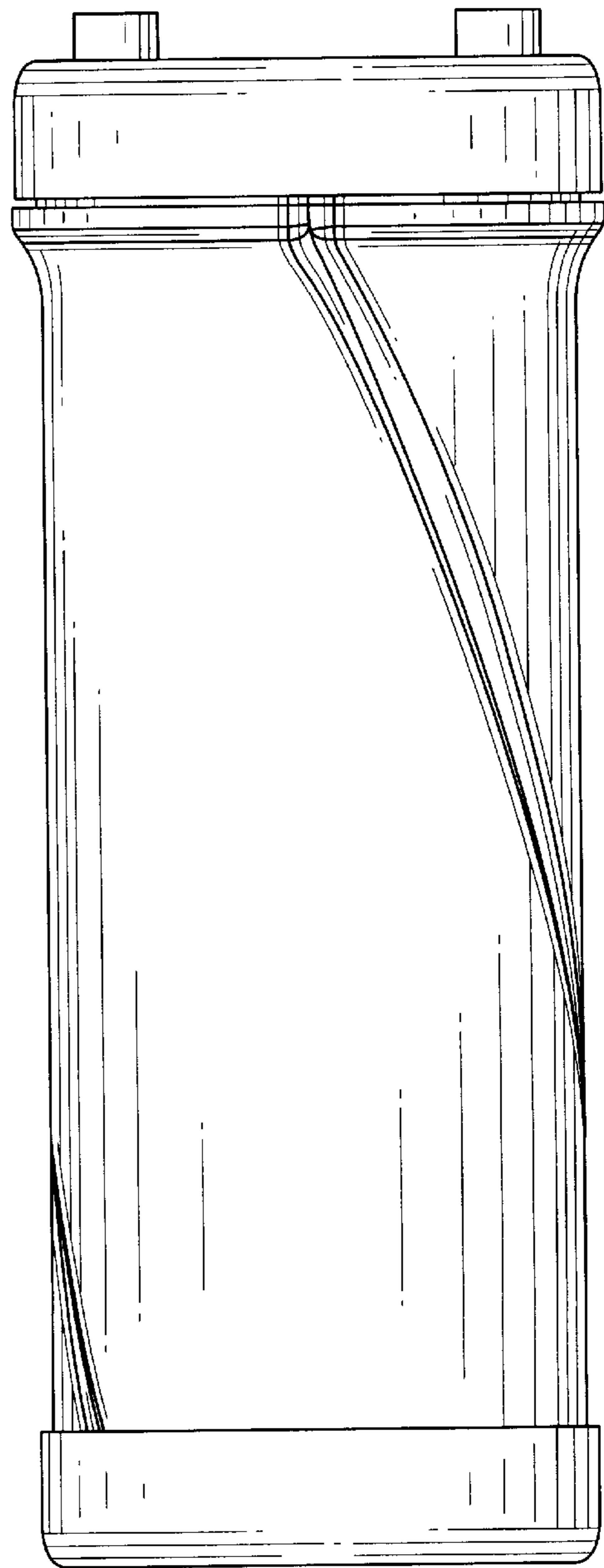


FIG. 3.

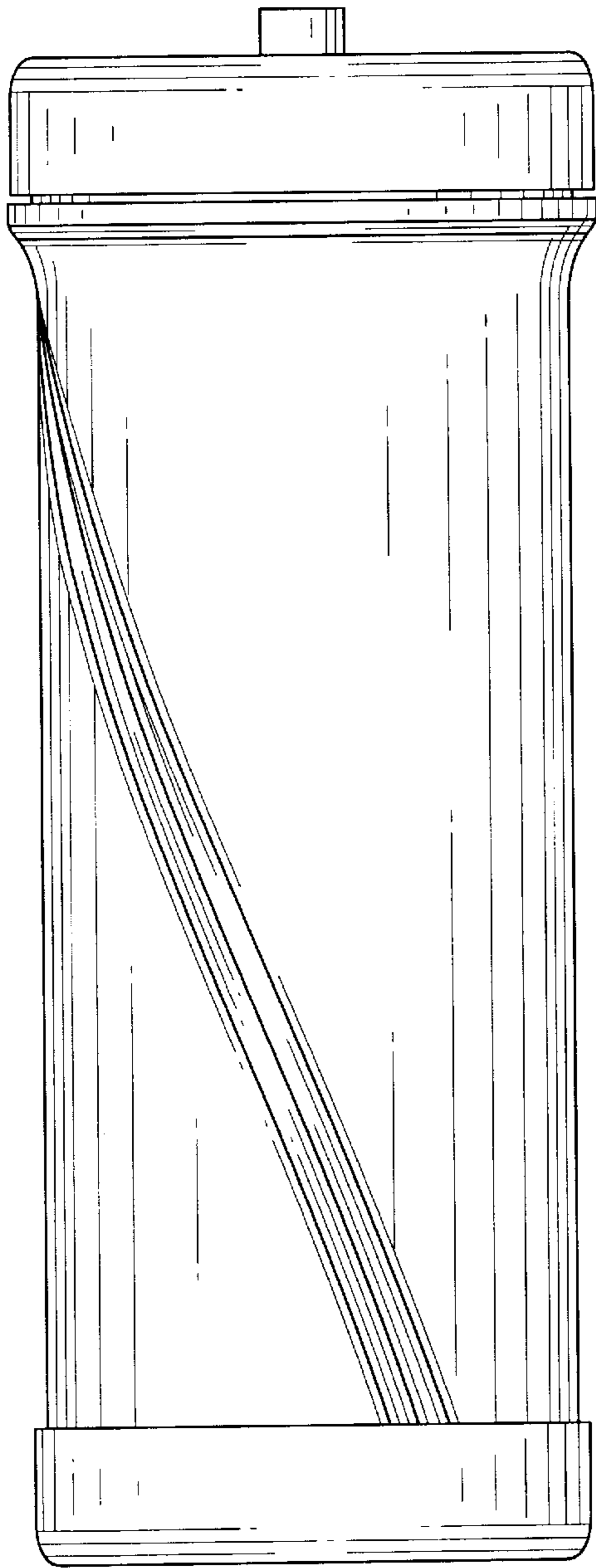


FIG. 4.

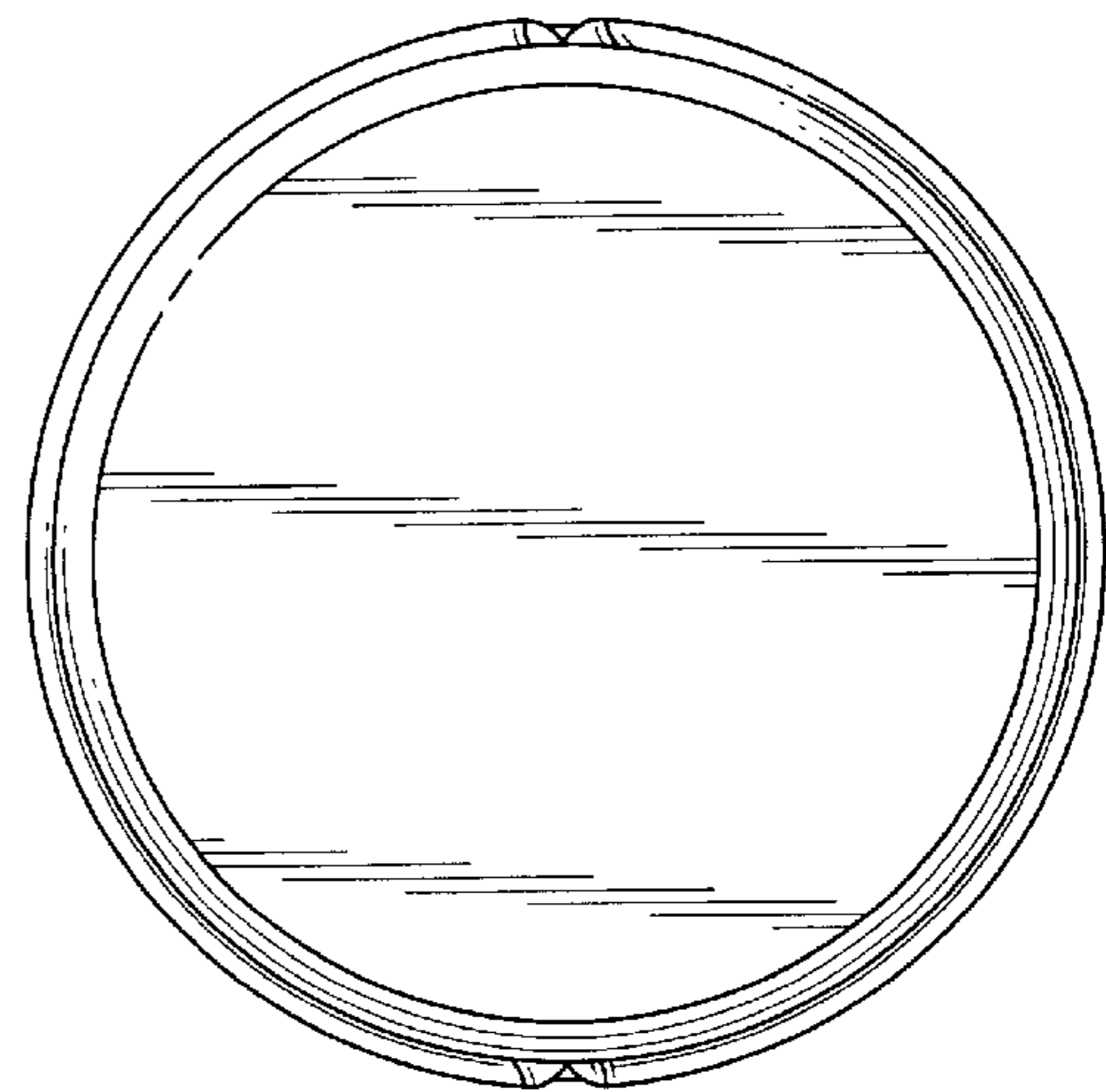


FIG. 5.

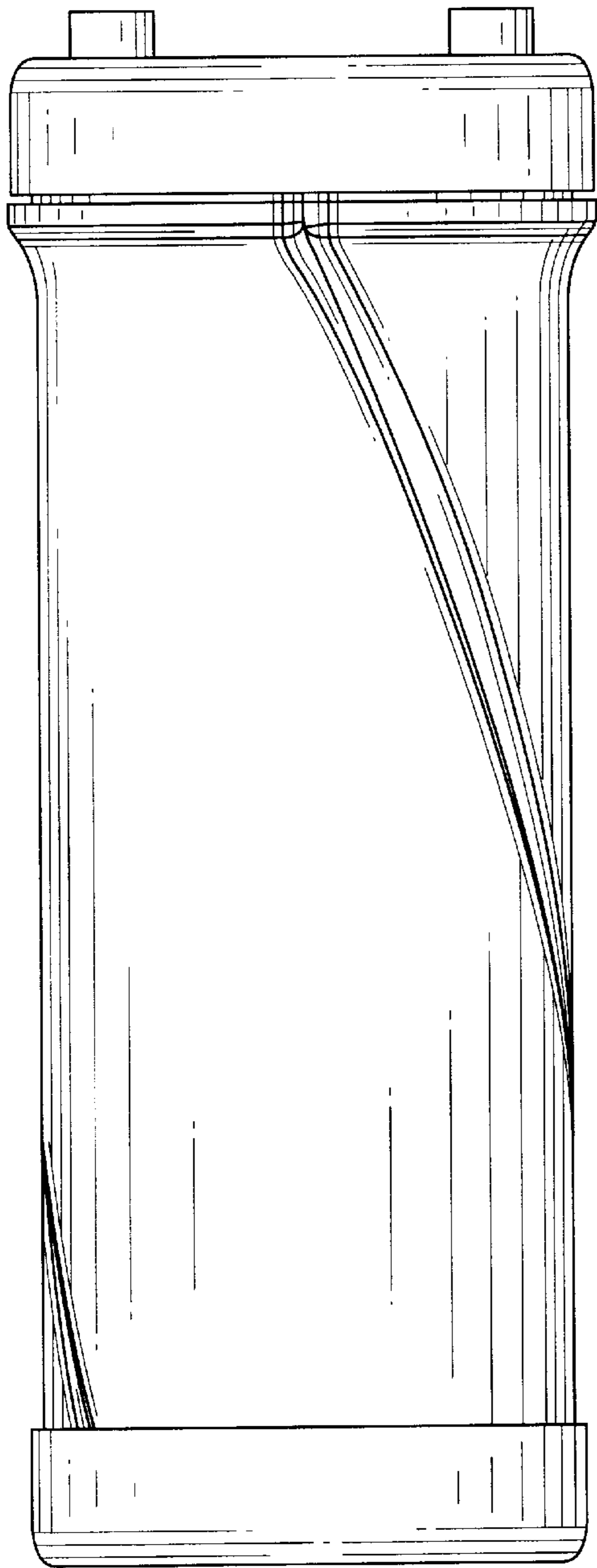


FIG. 6.

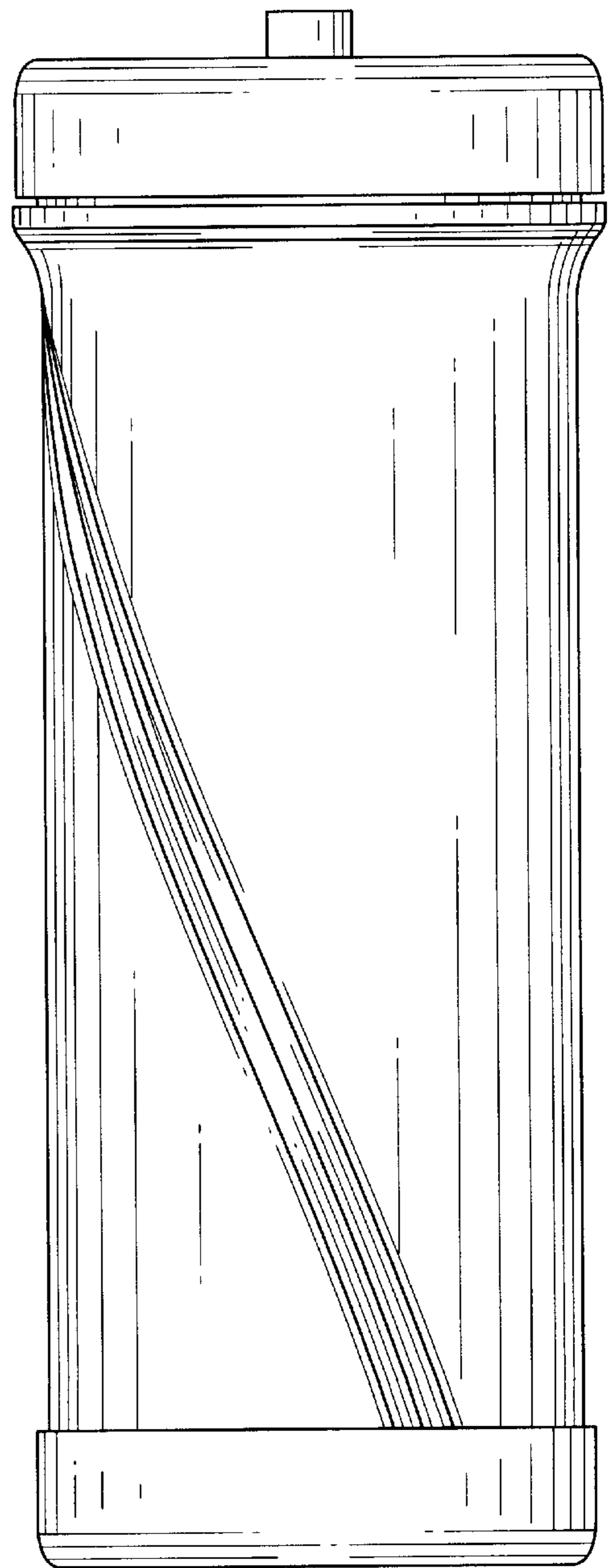


FIG. 7.