



US00D436287S

(12) **United States Design Patent**
Choi

(10) **Patent No.:** **US D436,287 S**

(45) **Date of Patent:** **** Jan. 16, 2001**

(54) **WOK**

D. 276,689 * 12/1984 Spoeth, Jr. D7/355

(75) Inventor: **Lung Wai Choi, Kowloon (HK)**

* cited by examiner

(73) Assignee: **Goodway Electrical Co. Ltd.,
Kowloon (HK)**

Primary Examiner—Caron D. Veynar

(74) *Attorney, Agent, or Firm*—Christensen O'Connor
Johnson Kindness PLLC

(**) Term: **14 Years**

(57) **CLAIM**

(21) Appl. No.: **29/119,876**

The ornamental design for a wok, as shown and described.

(22) Filed: **Mar. 7, 2000**

DESCRIPTION

(30) **Foreign Application Priority Data**

Sep. 8, 1999 (GB) 2086473

(51) **LOC (7) Cl.** **07-02**

(52) **U.S. Cl.** **D7/360; D7/362**

(58) **Field of Search** D7/323, 337, 354-362;
99/324, 325, 339, 341; 220/573.1, 912

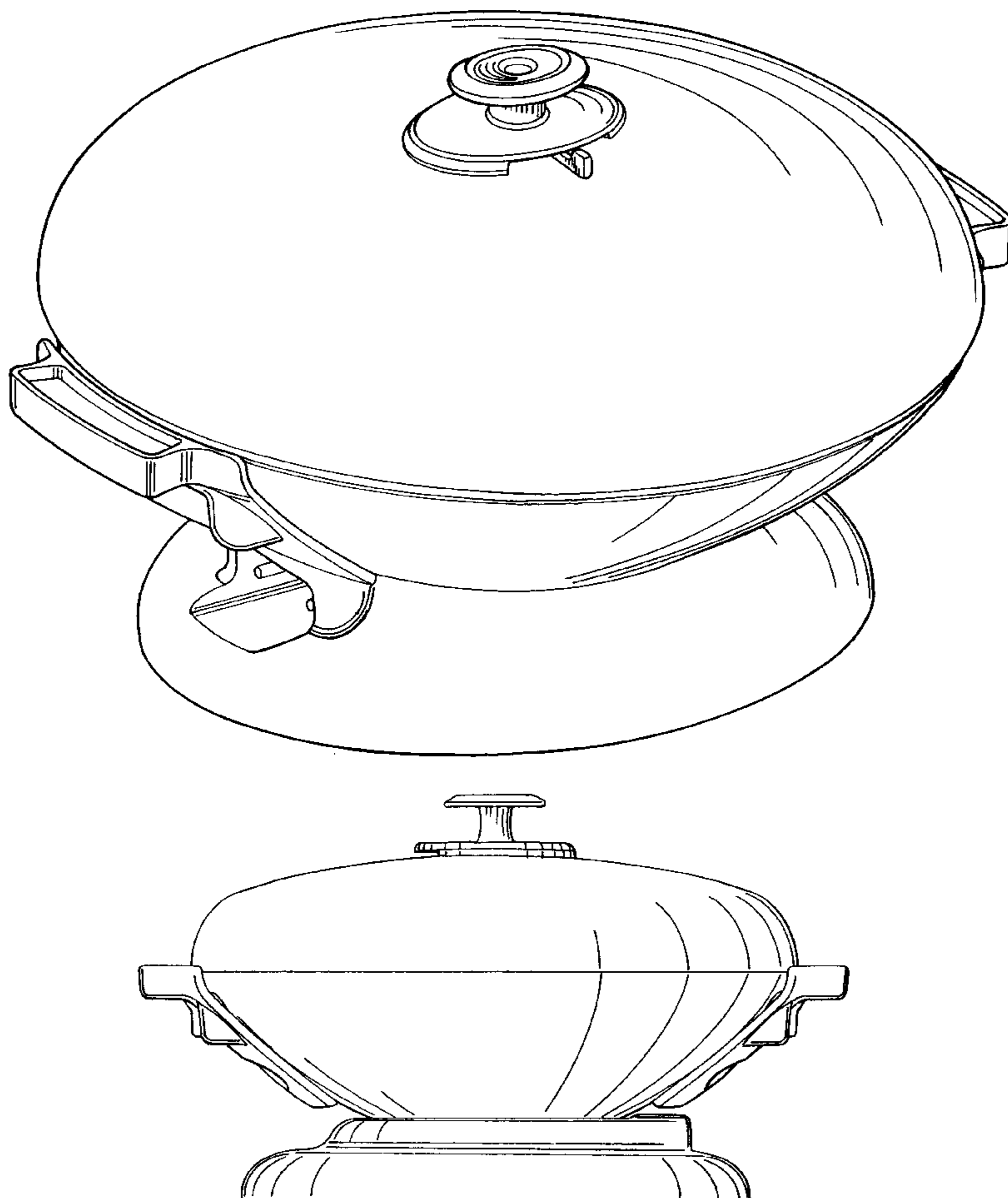
FIG. 1 is a perspective view of my new wok;
FIG. 2 is an exploded perspective view thereof;
FIG. 3 is a bottom view thereof;
FIG. 4 is a top view thereof, with the lid removed;
FIG. 5 is a top view of the wok shown without the lid for
ease of illustration;
FIG. 6 is a bottom view of the lid shown separately for ease
of illustration;
FIG. 7 is a view of one side of my new wok;
FIG. 8 is a view of the other side;
FIG. 9 is a front view thereof; and,
FIG. 10 is a rear view thereof.

(56) **References Cited**

U.S. PATENT DOCUMENTS

- D. 225,433 * 12/1972 Rosenlund D7/360
- D. 269,319 * 6/1983 Fox D7/360
- D. 276,493 * 11/1984 Cesaroni D7/355

1 Claim, 6 Drawing Sheets



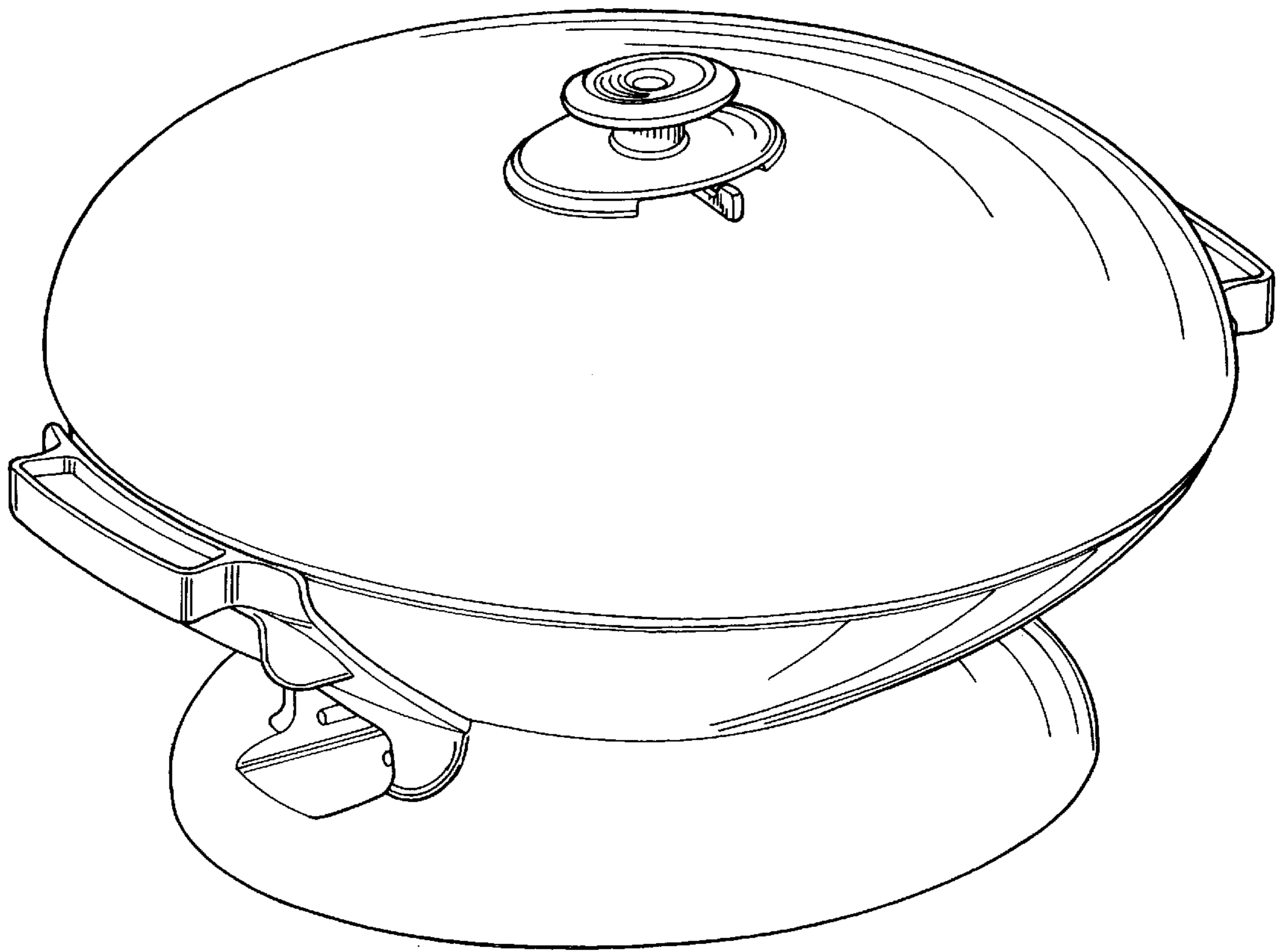


FIG 1

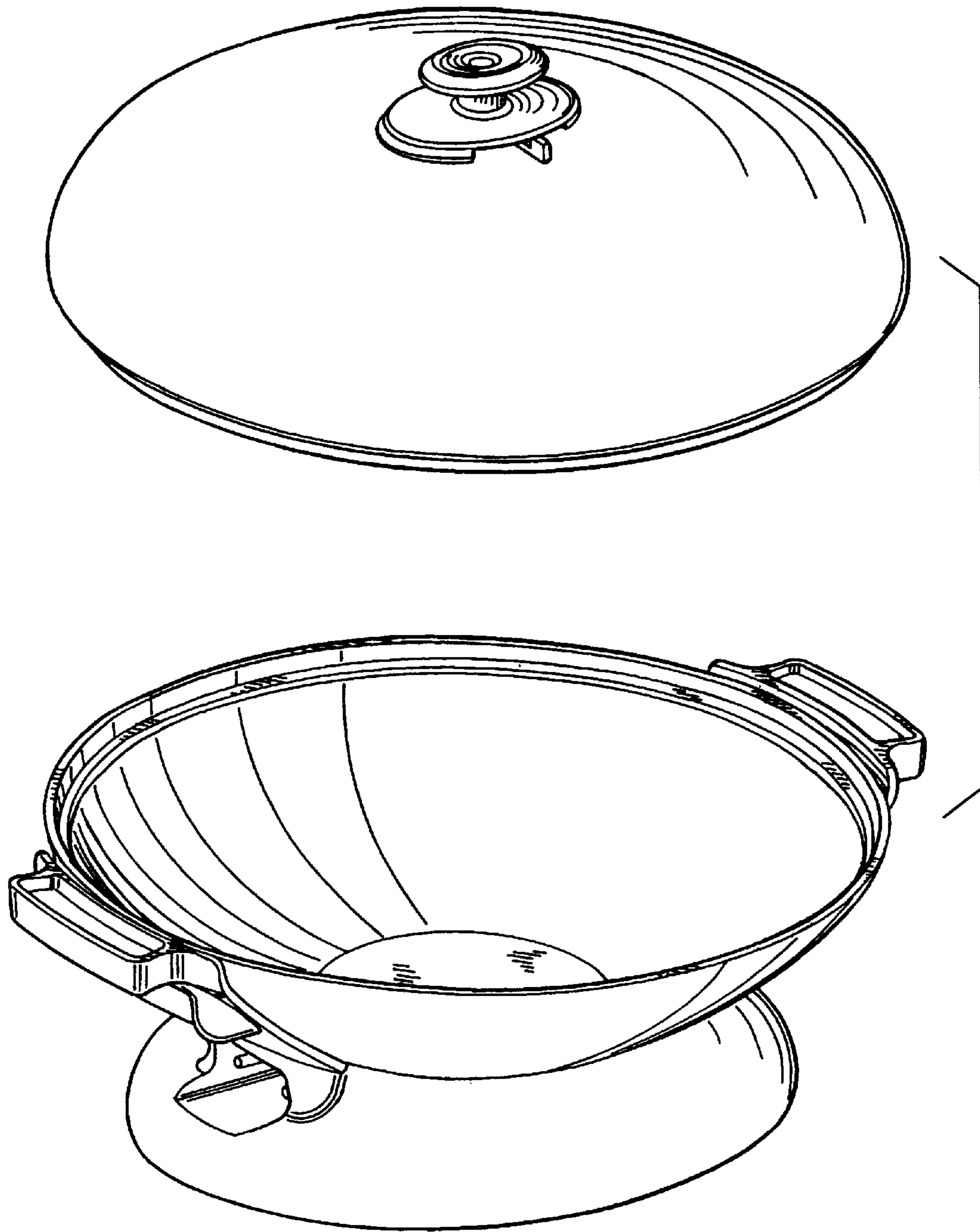


FIG 2

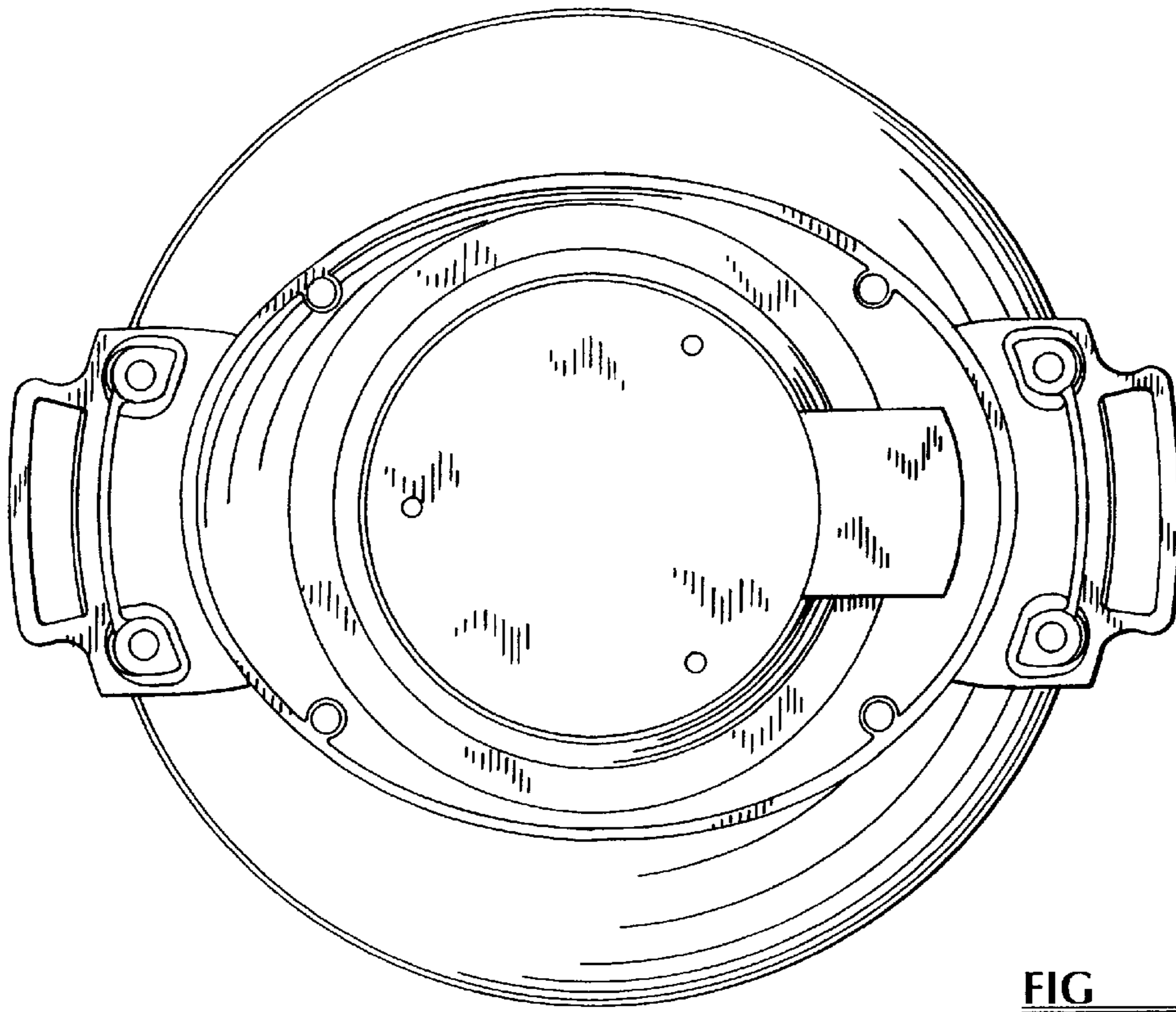


FIG 3

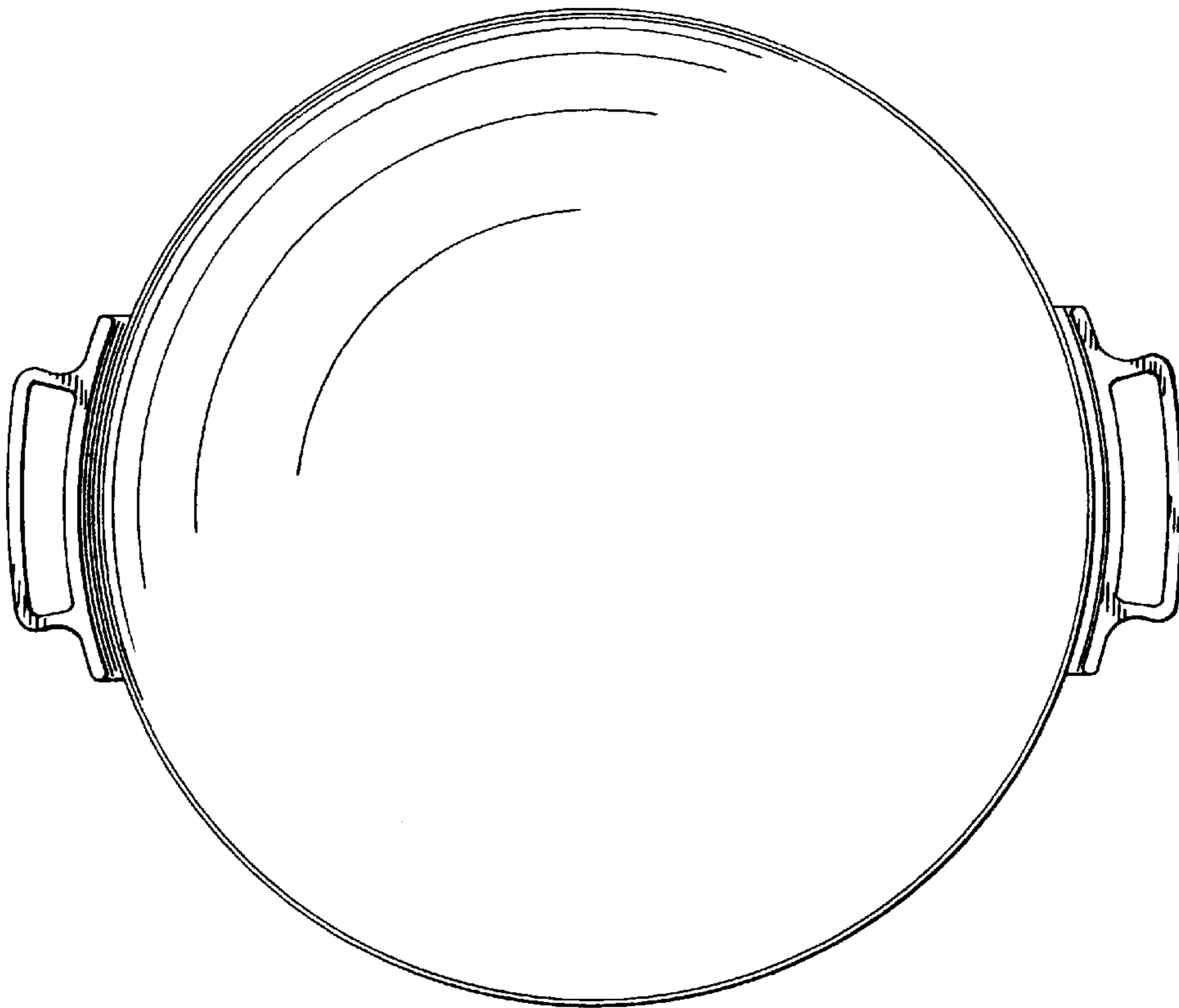


FIG 4

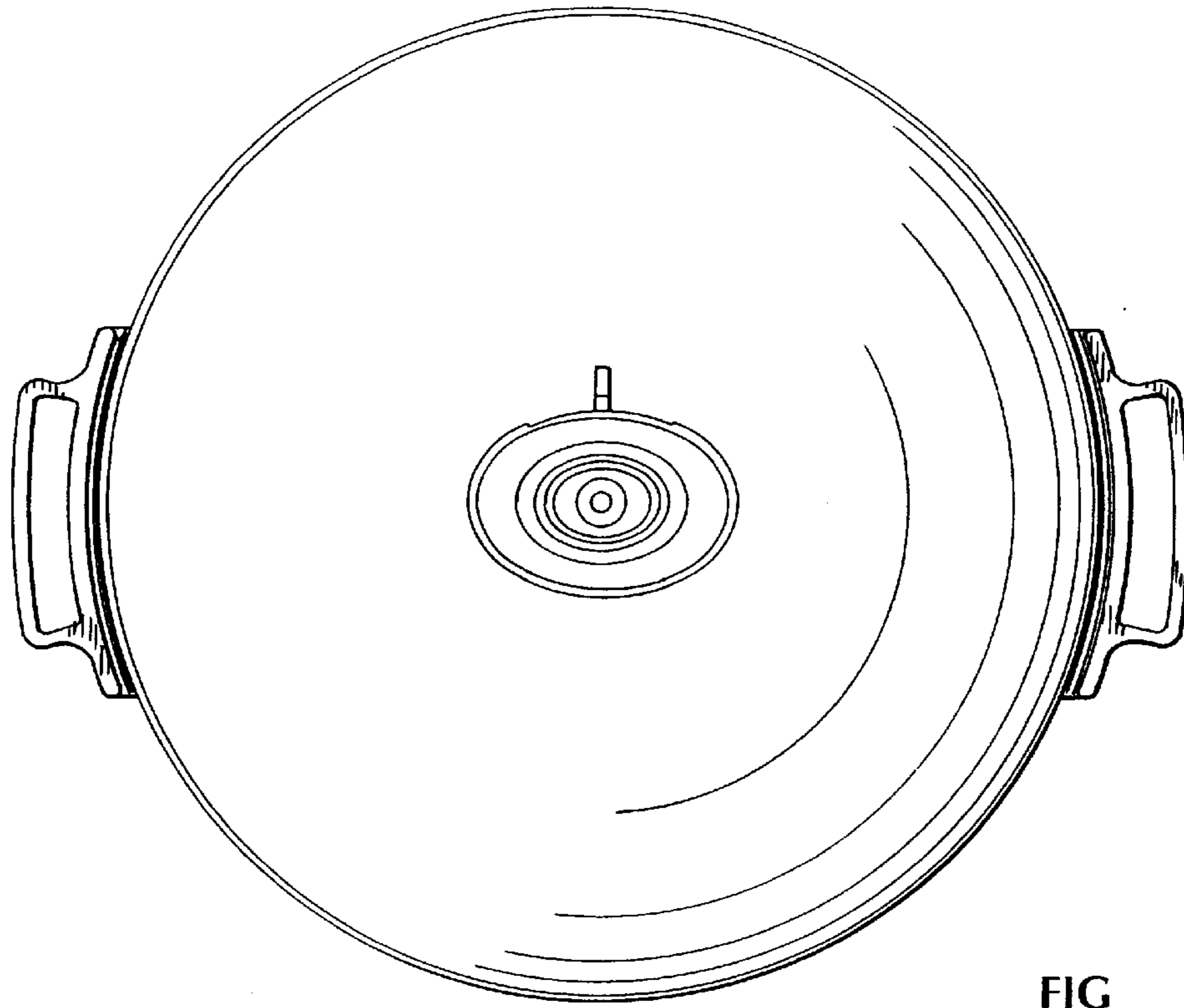


FIG 5

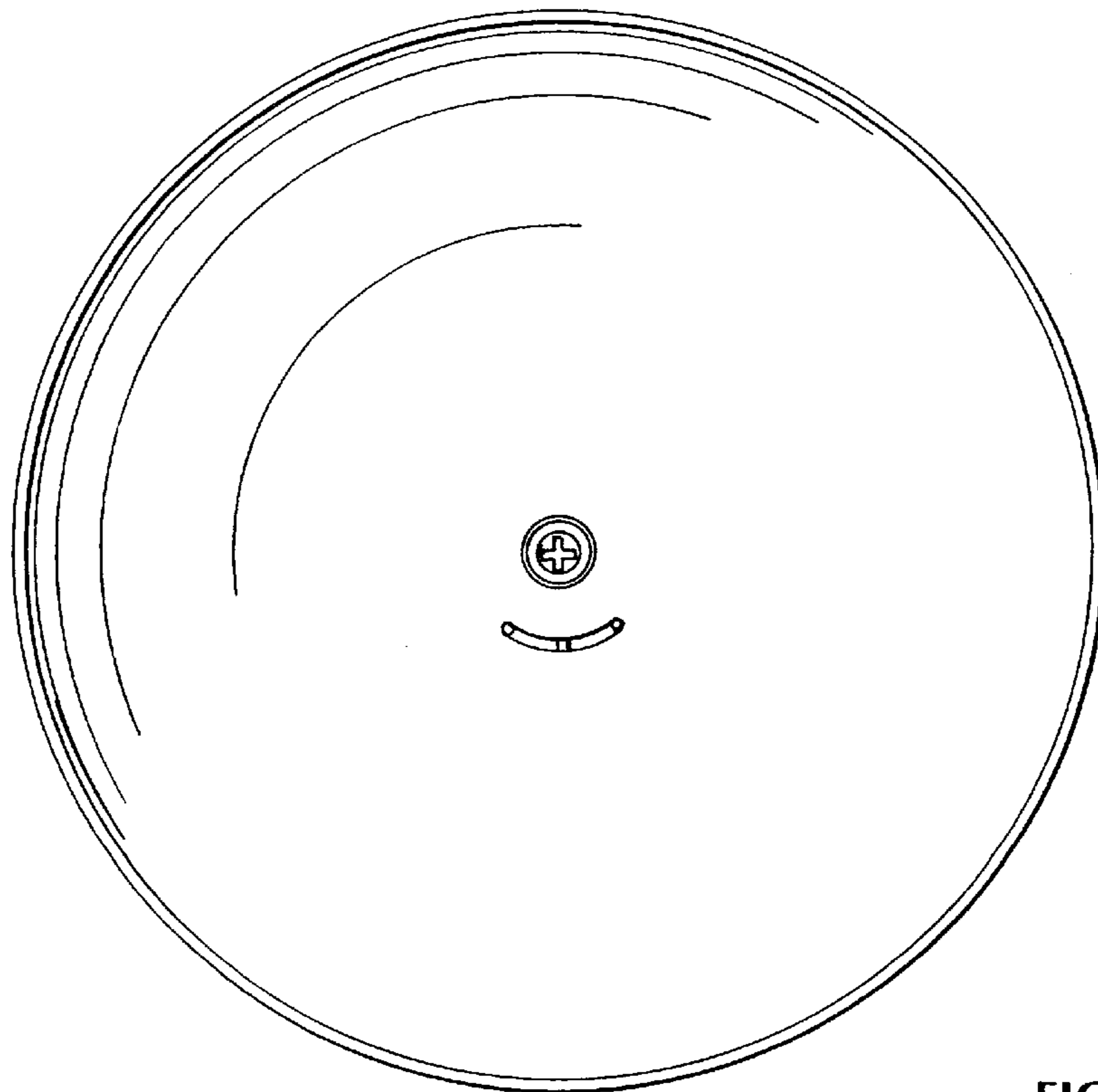


FIG 6

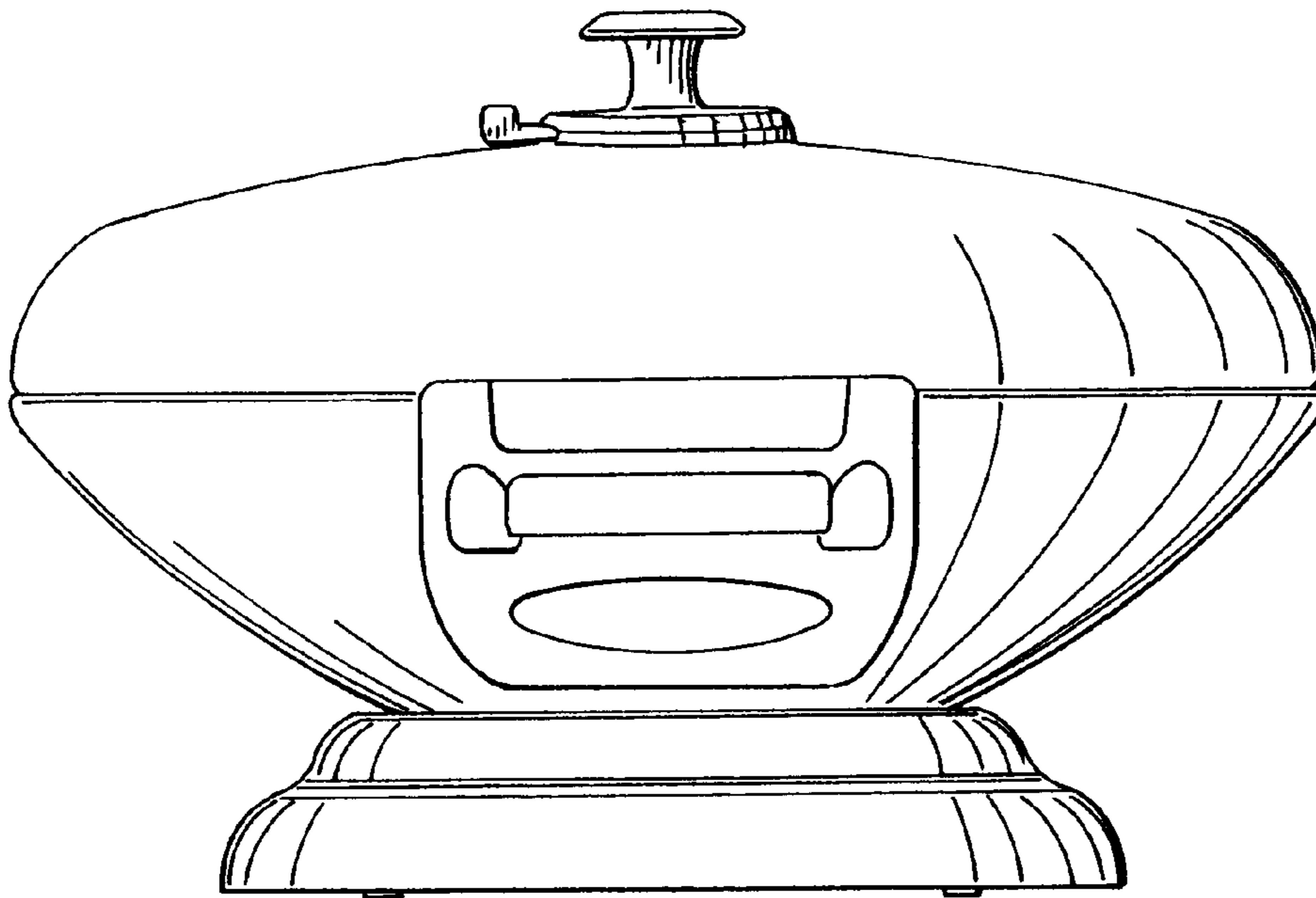


FIG 7

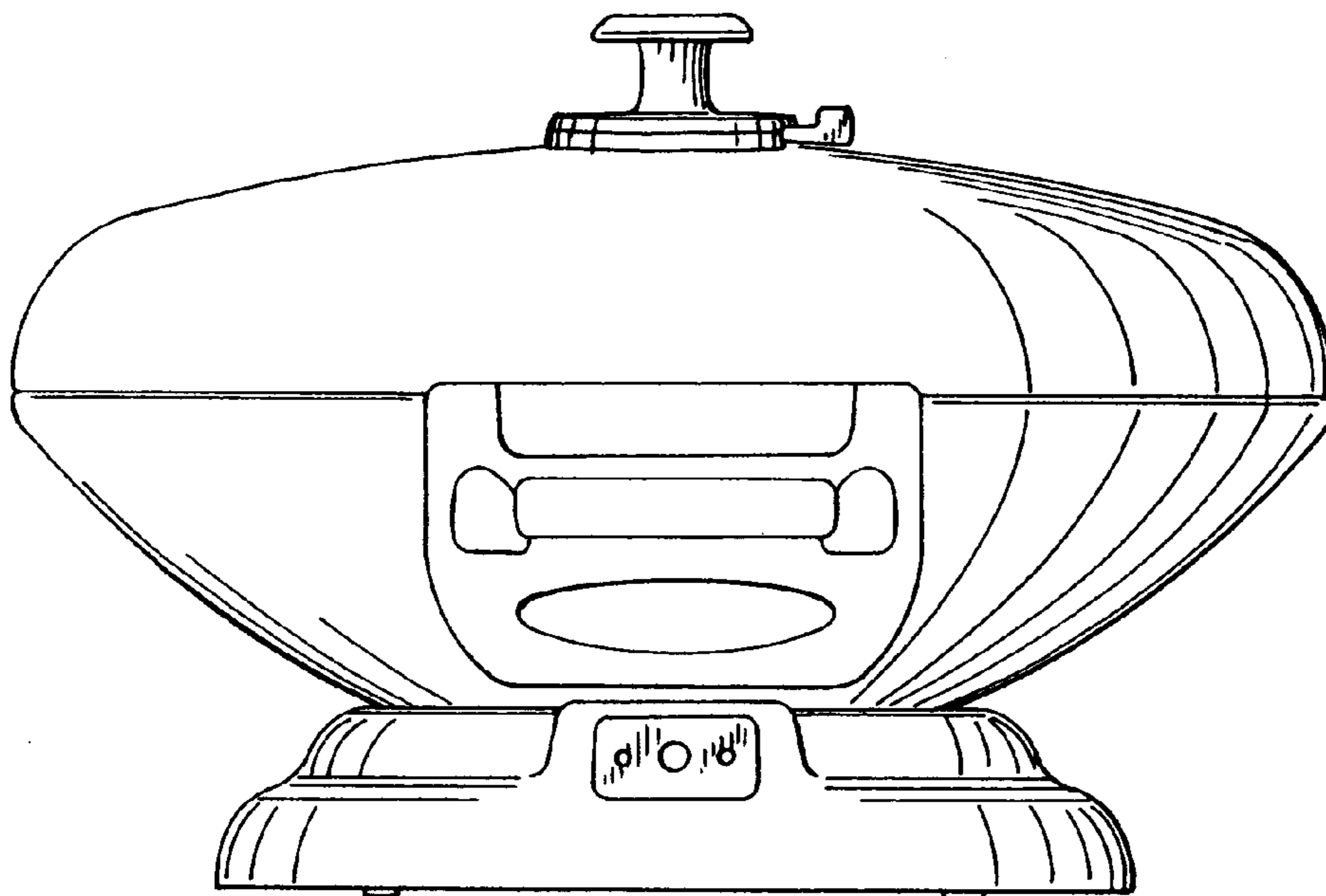


FIG 8

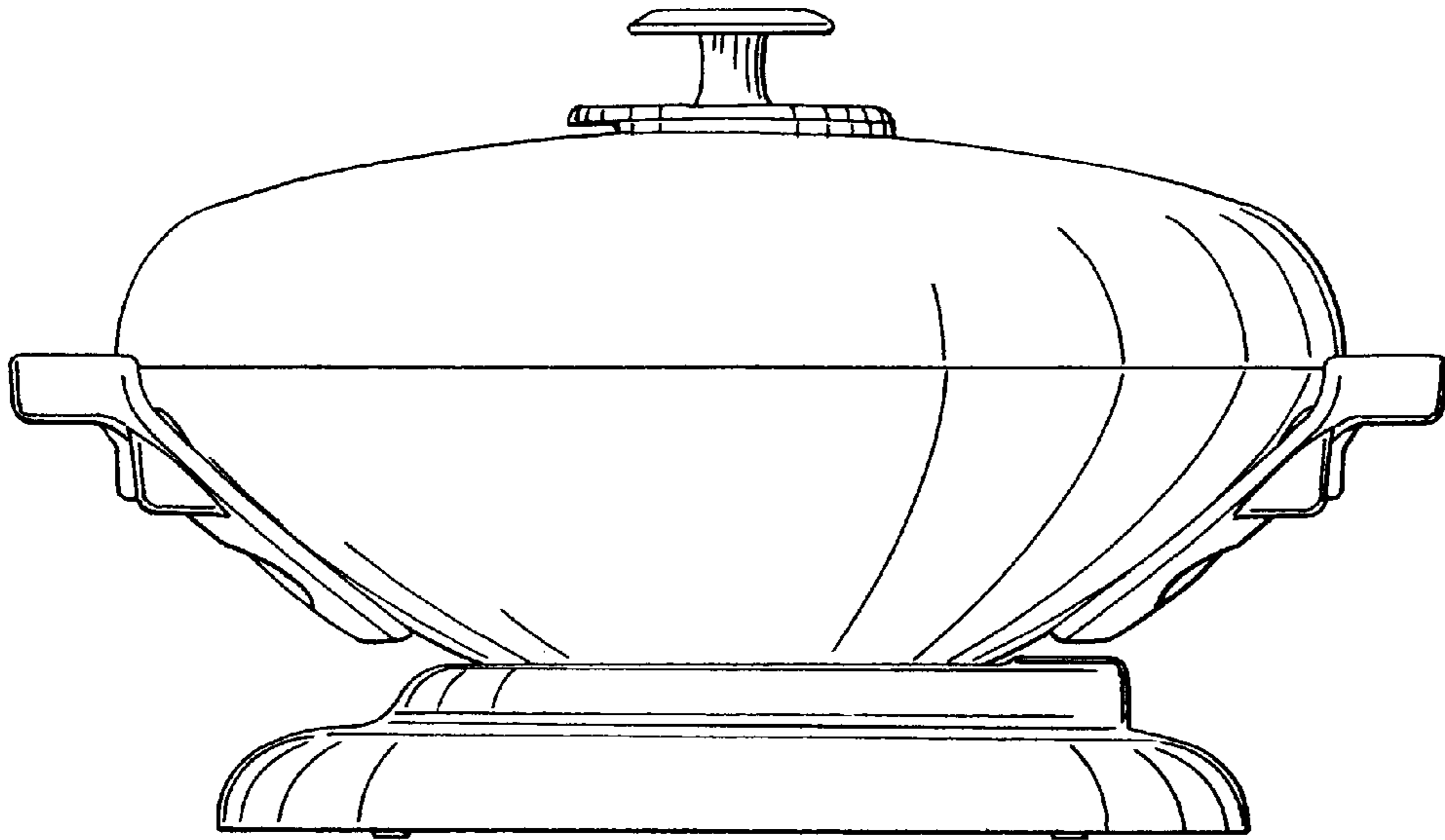


FIG 9

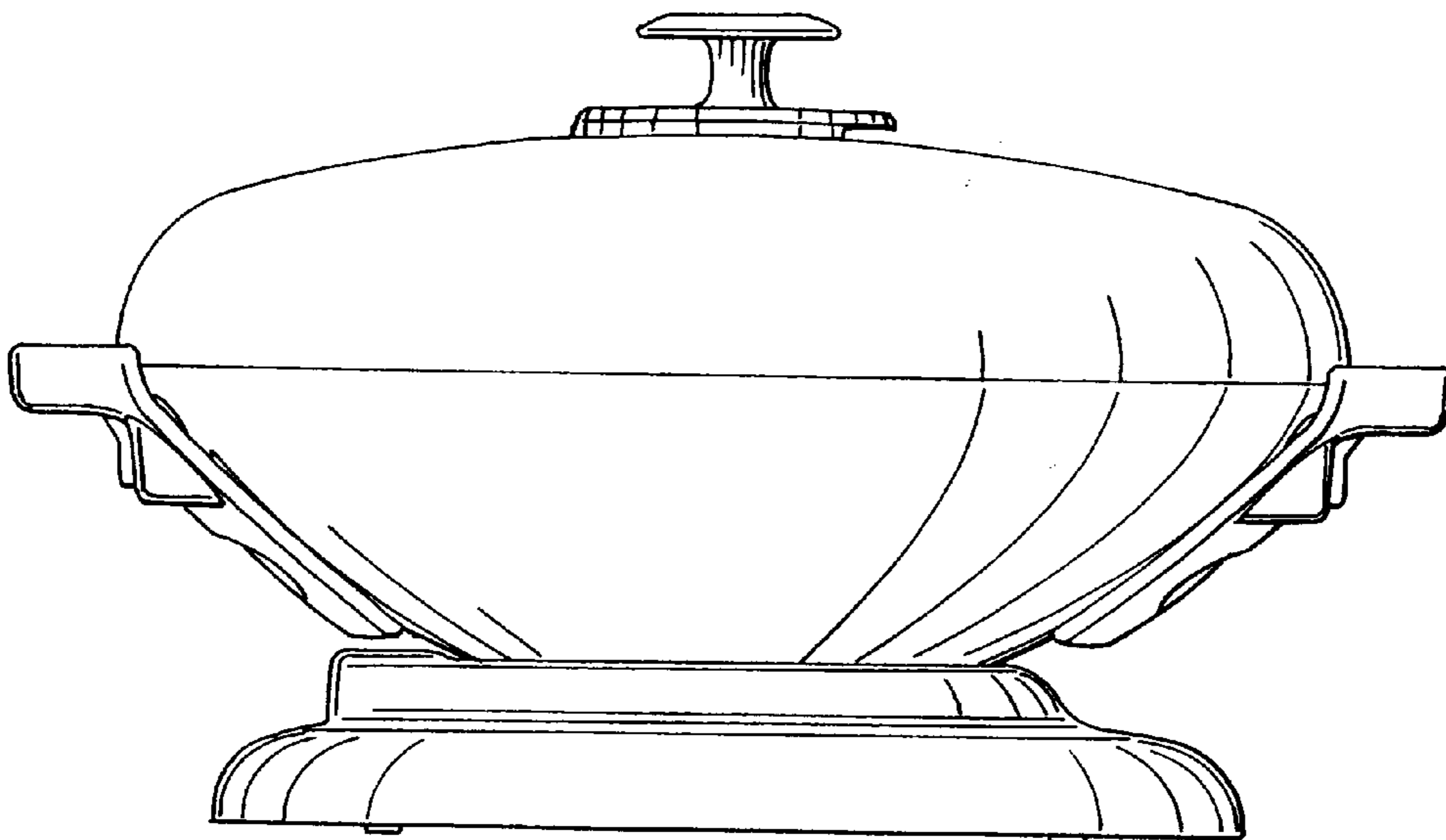


FIG 10