



US00D436285S

(12) **United States Design Patent**  
**Taira**

(10) **Patent No.:** **US D436,285 S**

(45) **Date of Patent:** **\*\* Jan. 16, 2001**

(54) **MICROWAVE OVEN**

(75) **Inventor:** **Tomoki Taira, Osaka-fu (JP)**

(73) **Assignee:** **Sharp Kabushiki Kaisha, Osaka (JP)**

(\*\*) **Term:** **14 Years**

(21) **Appl. No.:** **29/119,116**

(22) **Filed:** **Feb. 24, 2000**

(30) **Foreign Application Priority Data**

Sep. 17, 1999 (JP) ..... 11-24987

(51) **LOC (7) Cl.** ..... **07-02**

(52) **U.S. Cl.** ..... **D7/351**

(58) **Field of Search** ..... D7/348, 350-351,  
D7/354, 402, 323, 360; 126/273 R, 275 R,  
275 E, 19 M, 19 R, 21 A; 219/678, 680,  
756-758, 400; 99/421 H, 419, 427, 426

(56) **References Cited**

**U.S. PATENT DOCUMENTS**

D. 294,103 \* 2/1988 Katagami et al. .... D7/350

D. 294,107 \* 2/1988 Katagami et al. .... D7/350  
D. 305,597 \* 1/1990 Yoo ..... D7/351  
D. 310,616 \* 9/1990 Murai et al. .... D7/351  
D. 315,656 \* 3/1991 Kim ..... D7/351  
D. 329,164 \* 9/1992 Edman ..... D7/351

\* cited by examiner

*Primary Examiner*—Ruth McInroy

(74) *Attorney, Agent, or Firm*—Nixon & Vanderhye

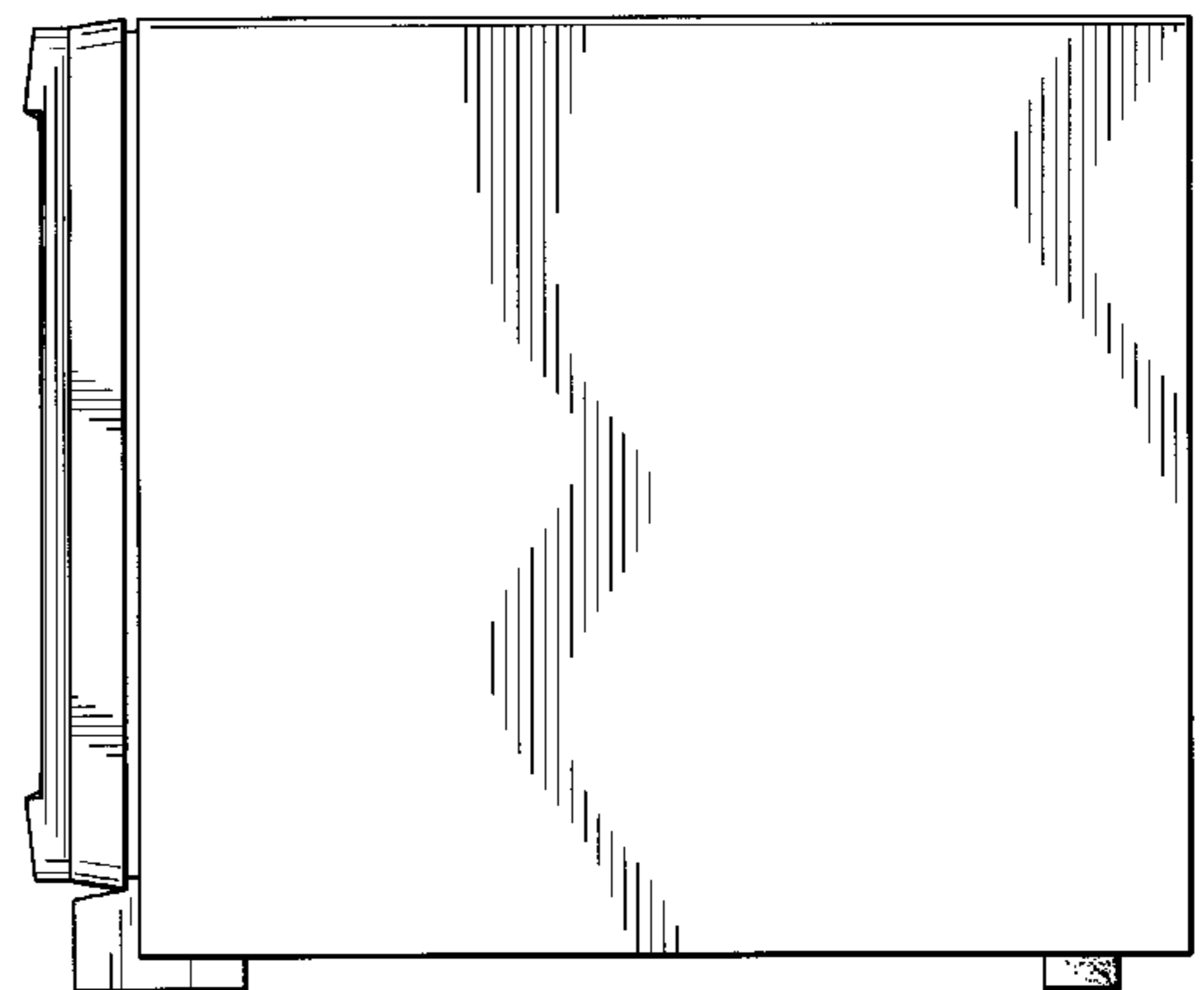
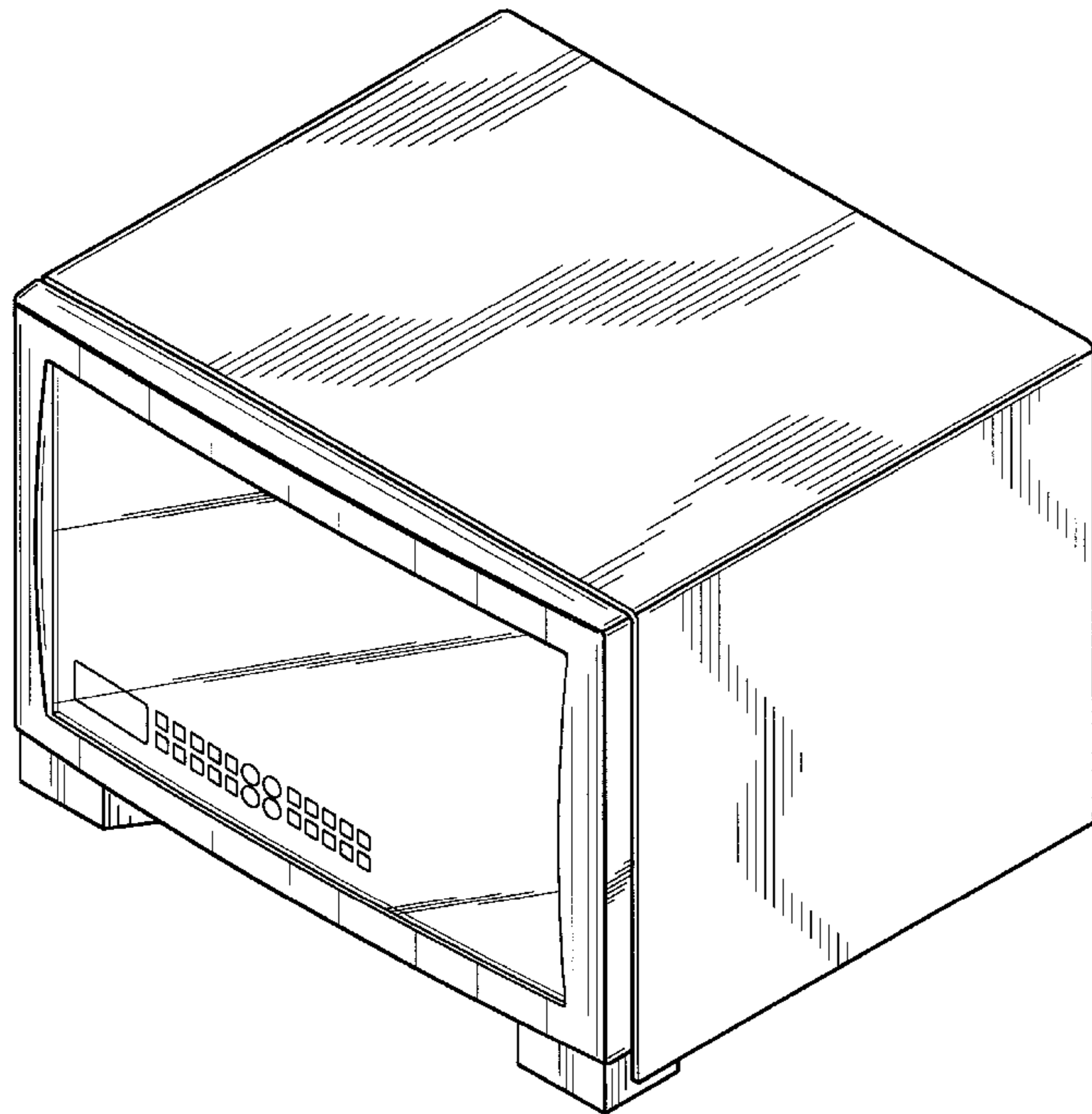
(57) **CLAIM**

The ornamental design for a microwave oven, as shown and described.

**DESCRIPTION**

FIG. 1 is a top, front and right side perspective view of a microwave oven according to my design;  
FIG. 2 is a top plan view thereof;  
FIG. 3 is a front elevational view thereof;  
FIG. 4 is a bottom plan view thereof;  
FIG. 5 is a rear elevational view thereof; and,  
FIG. 6 is a right side elevational view thereof, the left side being a mirror-image thereof.

**1 Claim, 4 Drawing Sheets**



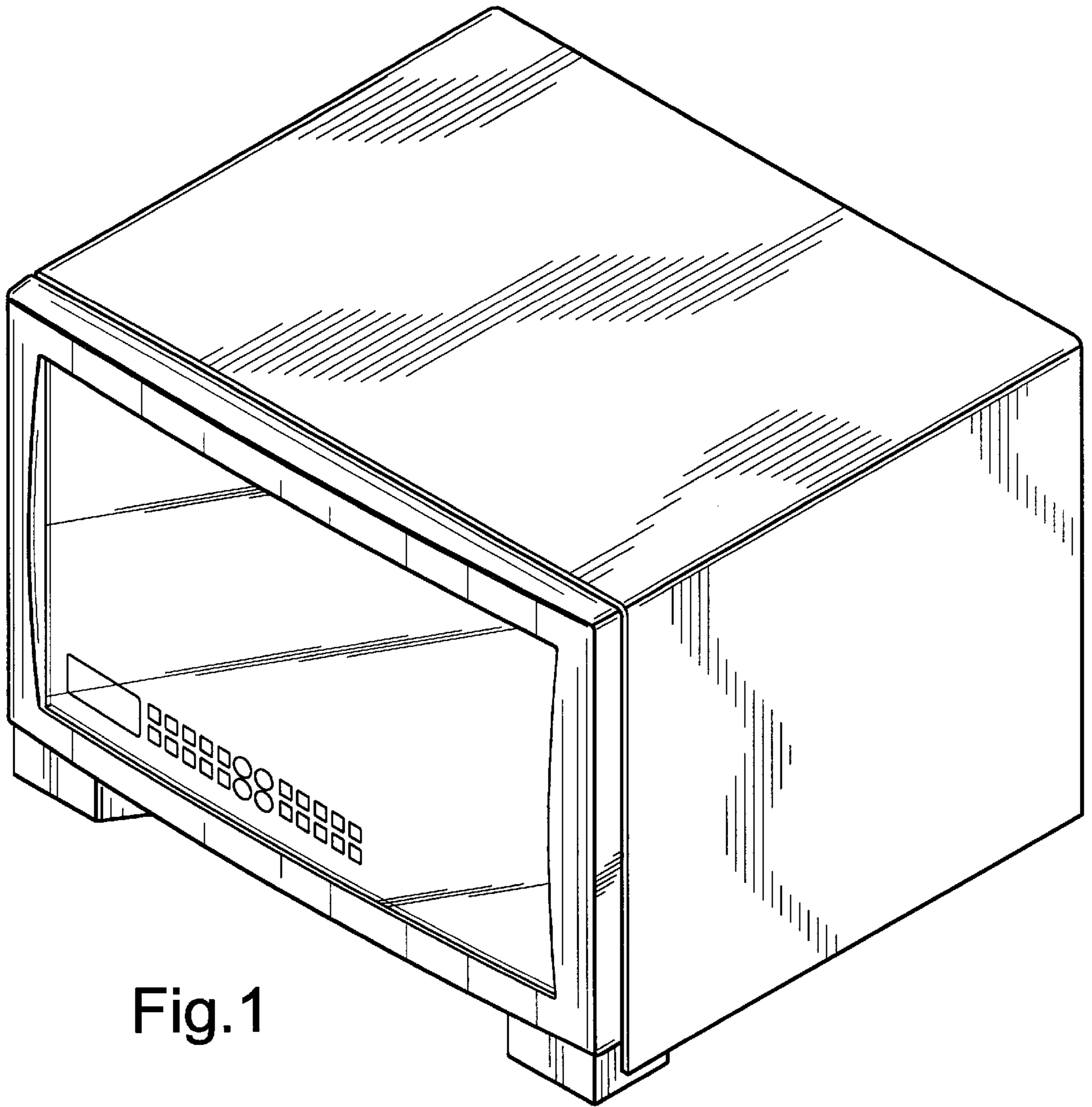


Fig.1

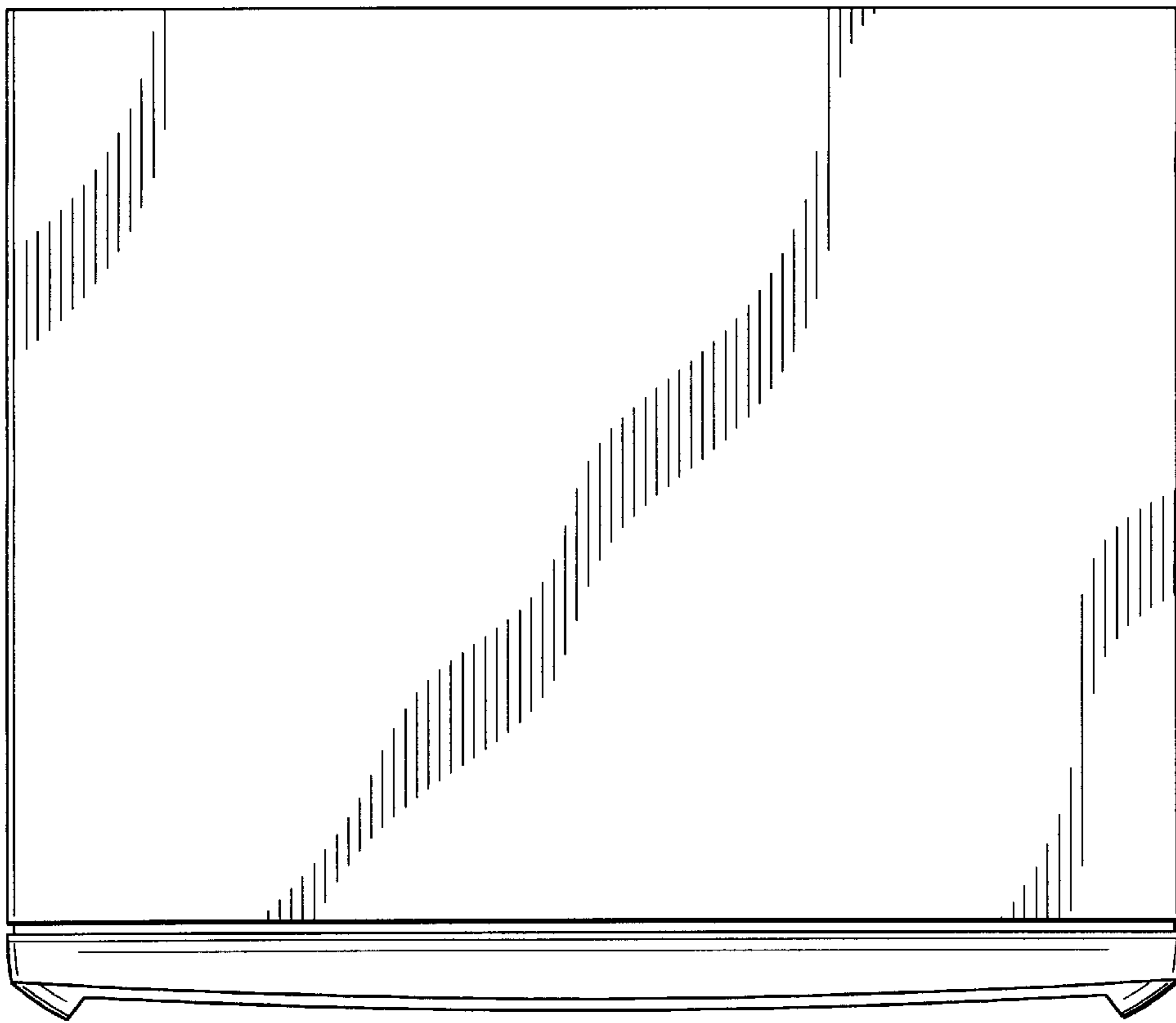


Fig.2

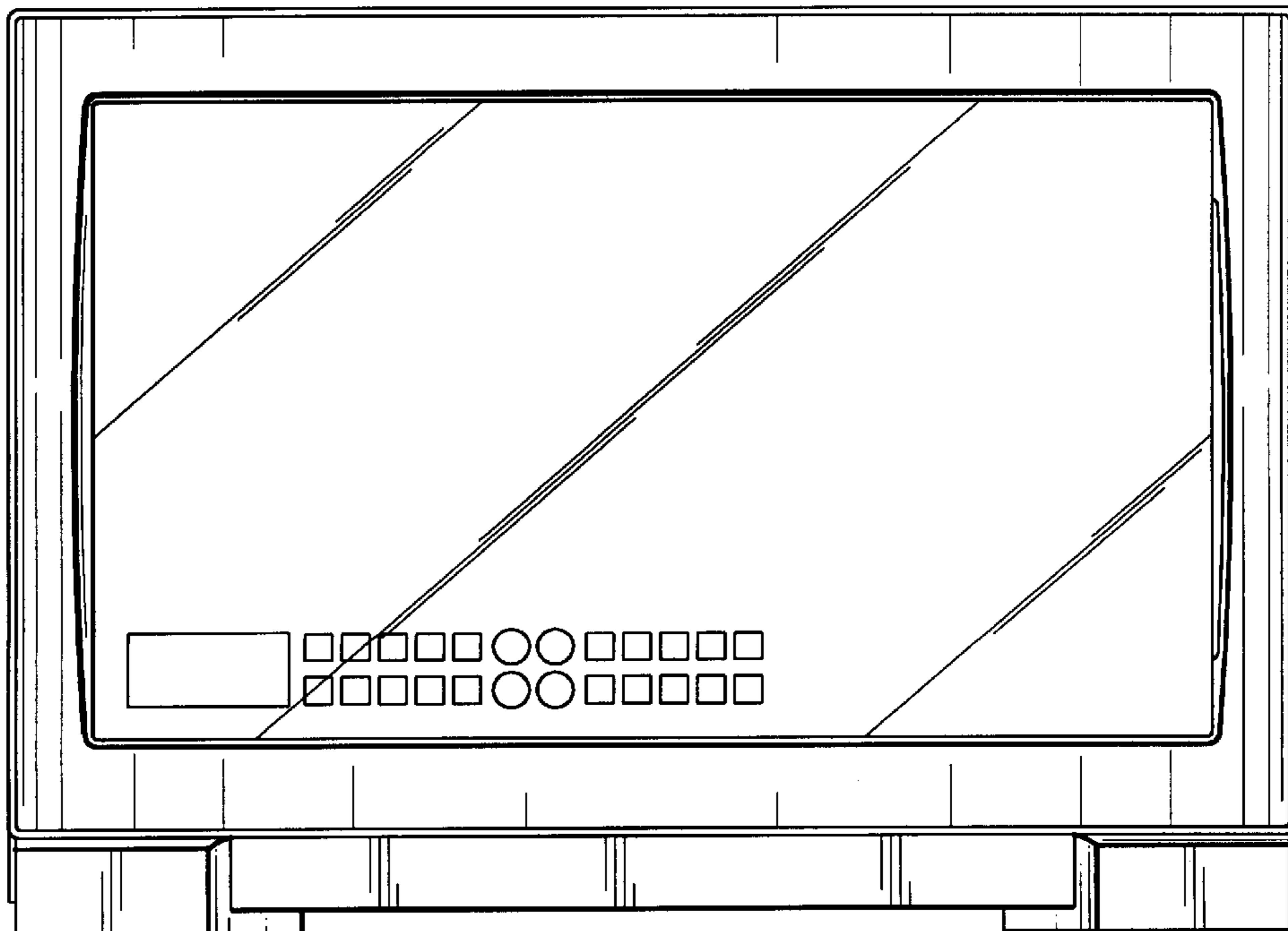


Fig.3

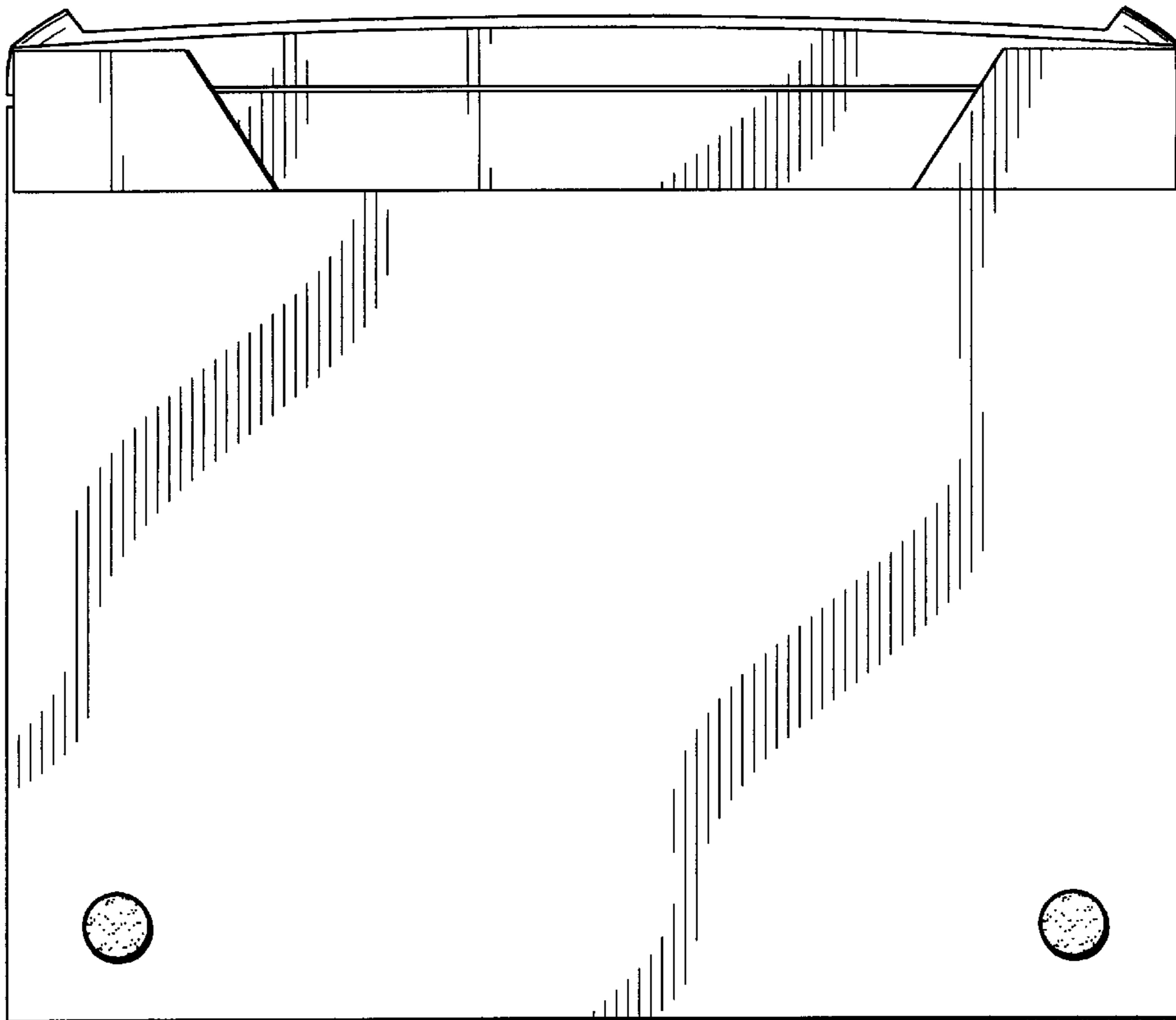


Fig.4

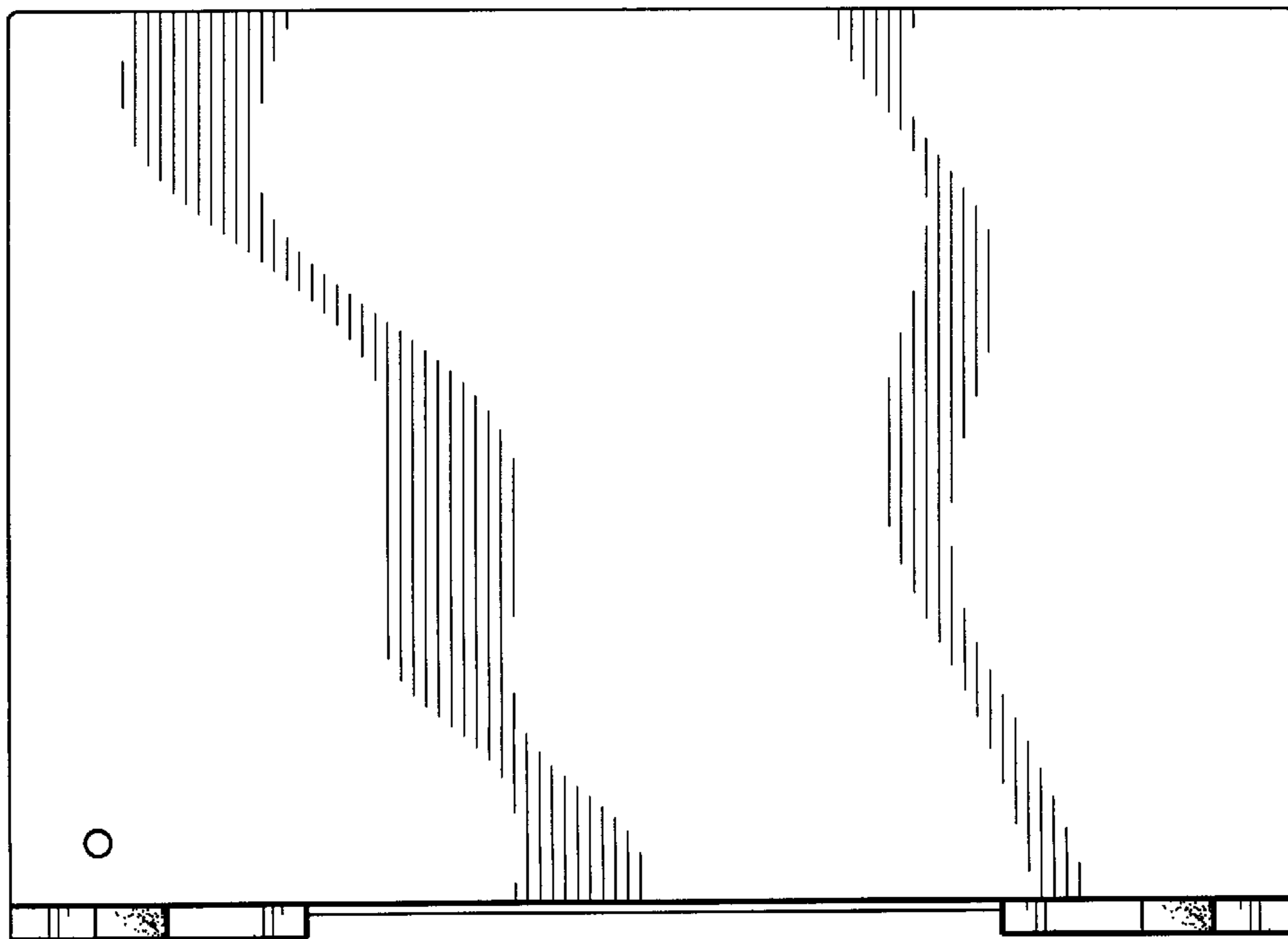


Fig.5

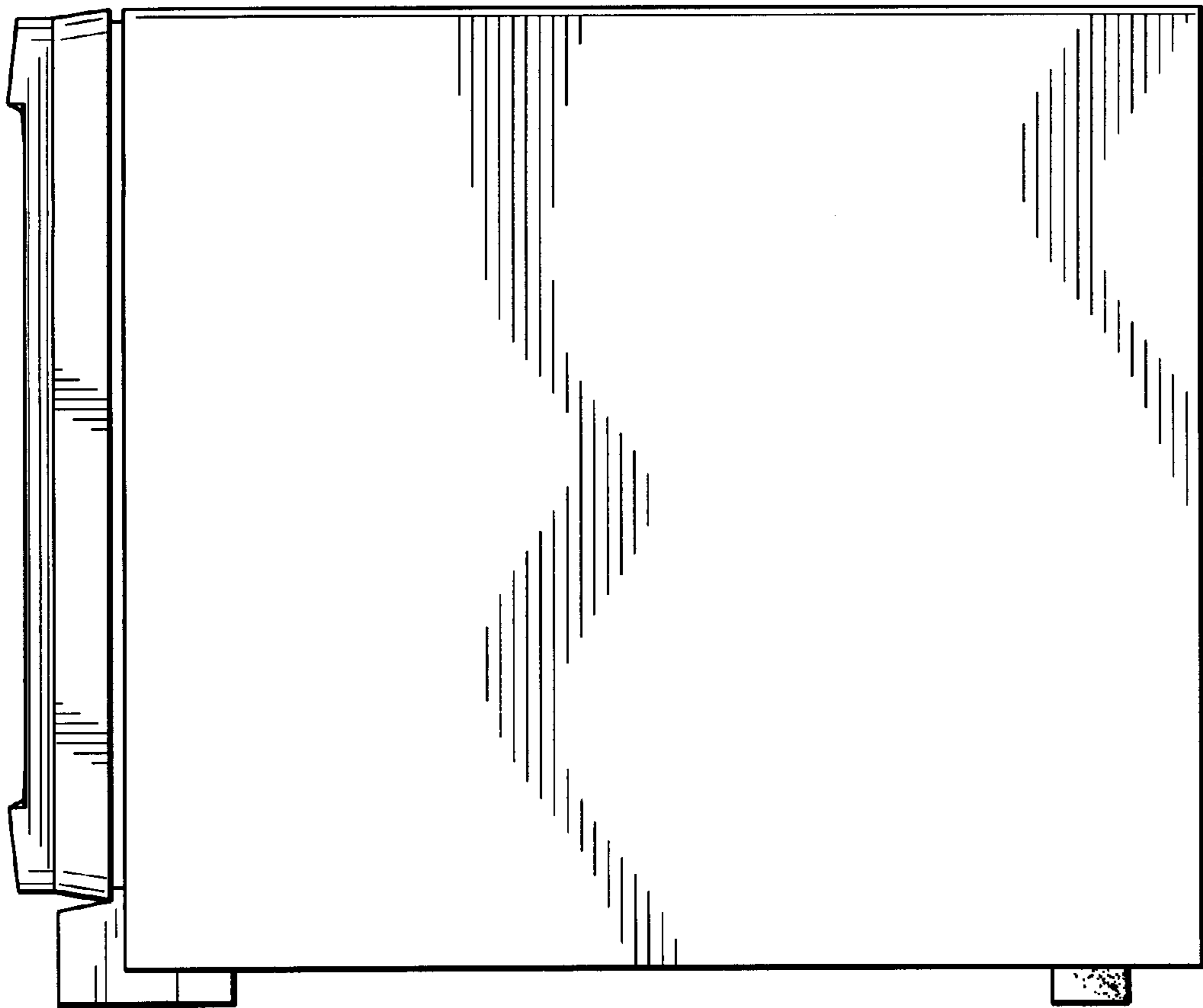


Fig.6