



US00D436283S

(12) **United States Design Patent**
Tsubokawa

(10) **Patent No.:** **US D436,283 S**

(45) **Date of Patent:** **** Jan. 16, 2001**

(54) **THERMAL JUG**

(75) **Inventor:** **Toshiyuki Tsubokawa, Gosen (JP)**

(73) **Assignee:** **Wen-Shung Lin, Taipei (TW)**

(**) **Term:** **14 Years**

(21) **Appl. No.:** **29/110,189**

(22) **Filed:** **Sep. 1, 1999**

(51) **LOC (7) Cl.** **07-01**

(52) **U.S. Cl.** **D7/318; D7/317; D7/322**

(58) **Field of Search** **D7/312, 313, 316,**
D7/317, 318, 319, 322; 99/279, 307, 280,
283; 222/572, 475.1, 131, 183, 88, 465.1;
220/300

(56) **References Cited**

U.S. PATENT DOCUMENTS

D. 92,668	*	7/1934	McAndle	D7/317
D. 157,795	*	3/1950	Schwarz	D7/317
D. 224,752	*	9/1972	Bonzer	D7/317
239,693	*	4/1881	Ayers et al.	222/572
D. 258,712	*	3/1981	Jacobson	D7/317
D. 339,023	*	9/1993	Coster	D7/318
D. 388,274	*	12/1997	Wang	D7/317
D. 395,784	*	7/1998	Michaeli	D7/319

D. 398,474	*	9/1998	Wagner	D7/305
D. 401,466	*	11/1998	Joergensen	D7/318
D. 403,200	*	12/1998	Joergensen	D7/317
D. 413,480	*	9/1999	Joergensen	D7/317

* cited by examiner

Primary Examiner—M. N. Pandozzi

(74) *Attorney, Agent, or Firm*—Thomas Schneck

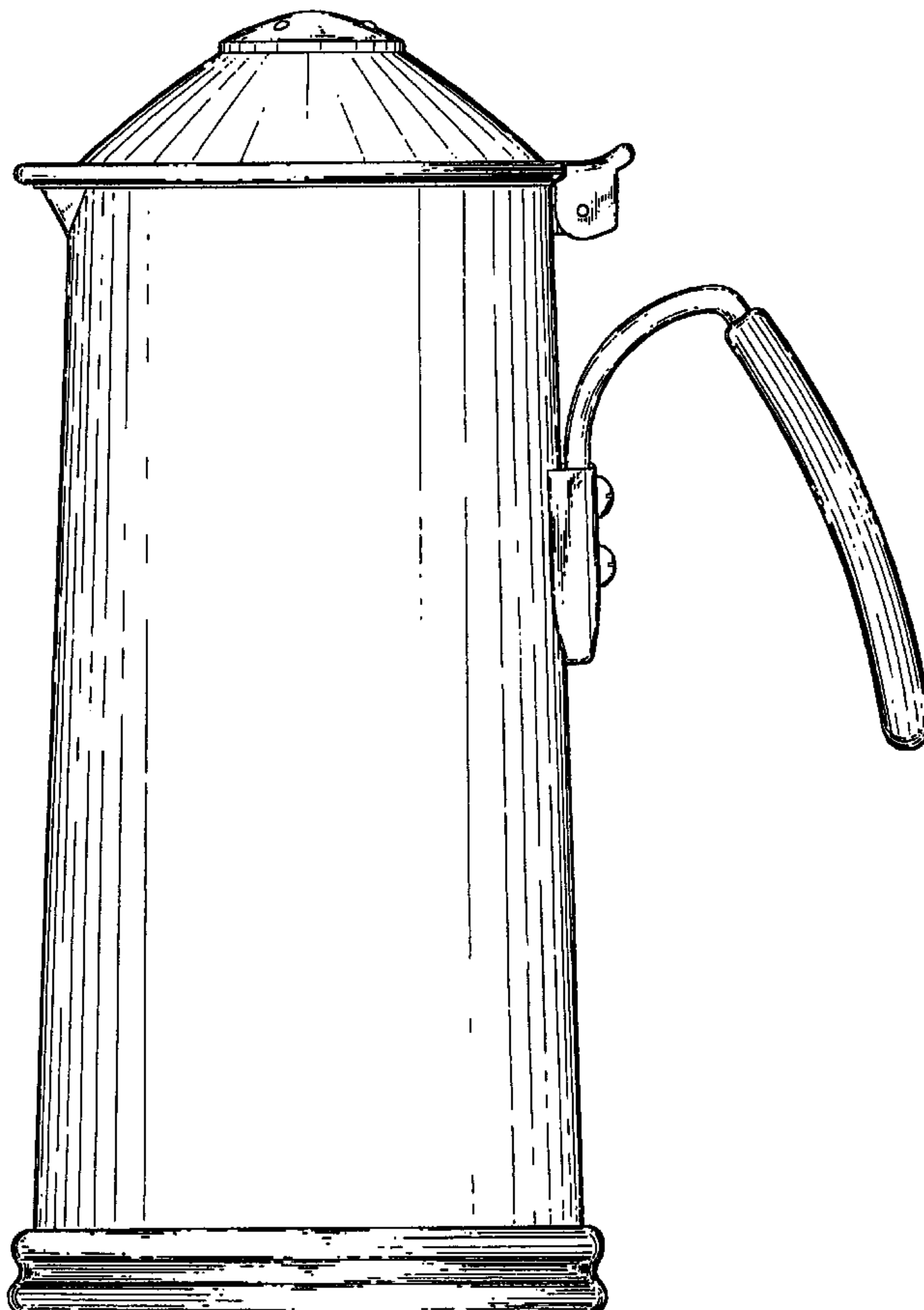
(57) **CLAIM**

The ornamental design for a thermal jug, as shown and described.

DESCRIPTION

FIG. 1 is a perspective view of a thermal jug showing my design;
 FIG. 2 is a front elevational view thereof, the rear elevational view (not shown) being a mirror image thereof;
 FIG. 3 is a top plan view thereof;
 FIG. 4 is a bottom plan view thereof;
 FIG. 5 is a left side elevational view thereof;
 FIG. 6 is a right side elevational view thereof;
 FIG. 7 is a perspective view thereof with the lid in an open position; and,
 FIG. 8 is an exploded perspective view thereof.

1 Claim, 7 Drawing Sheets



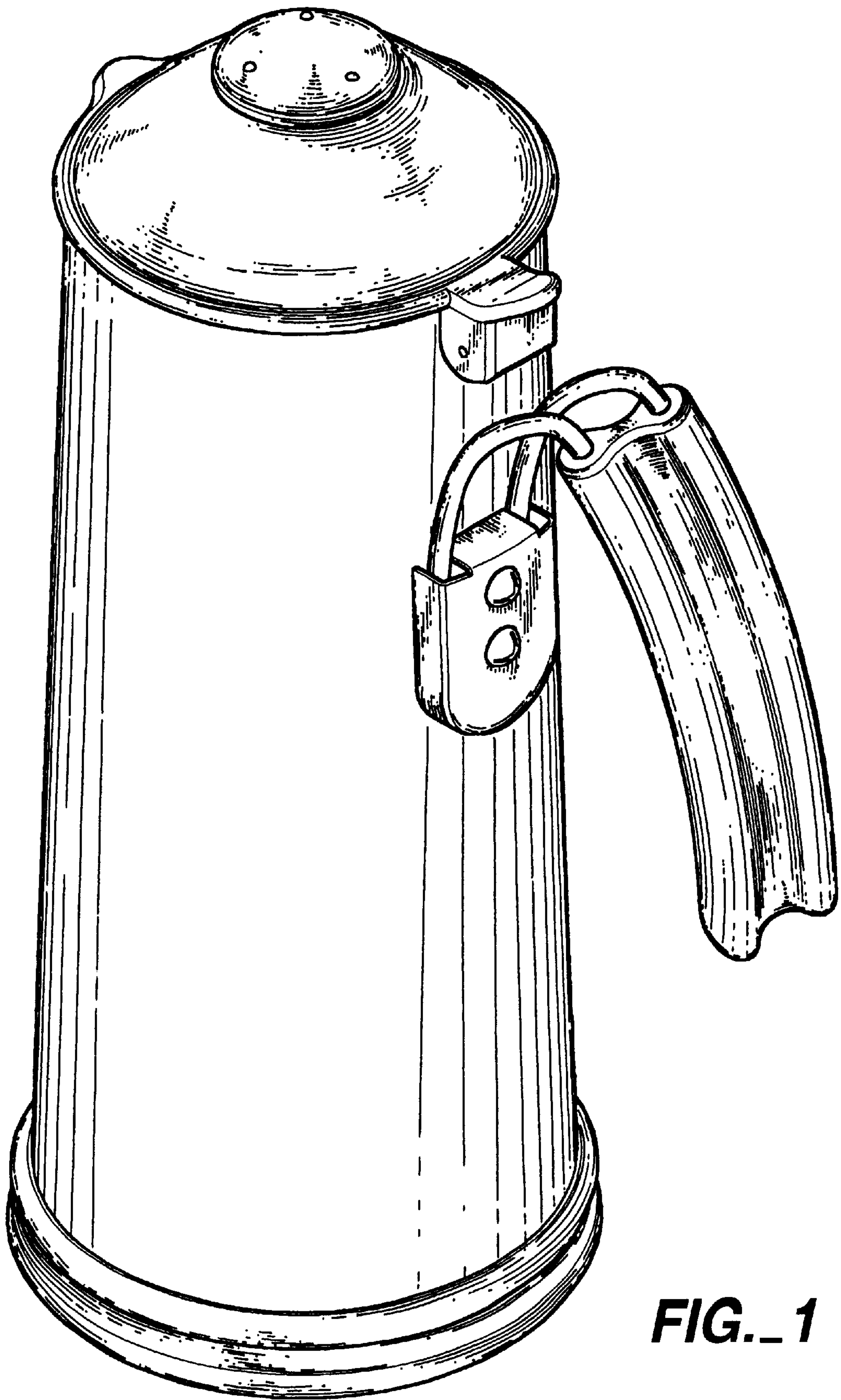


FIG. 1

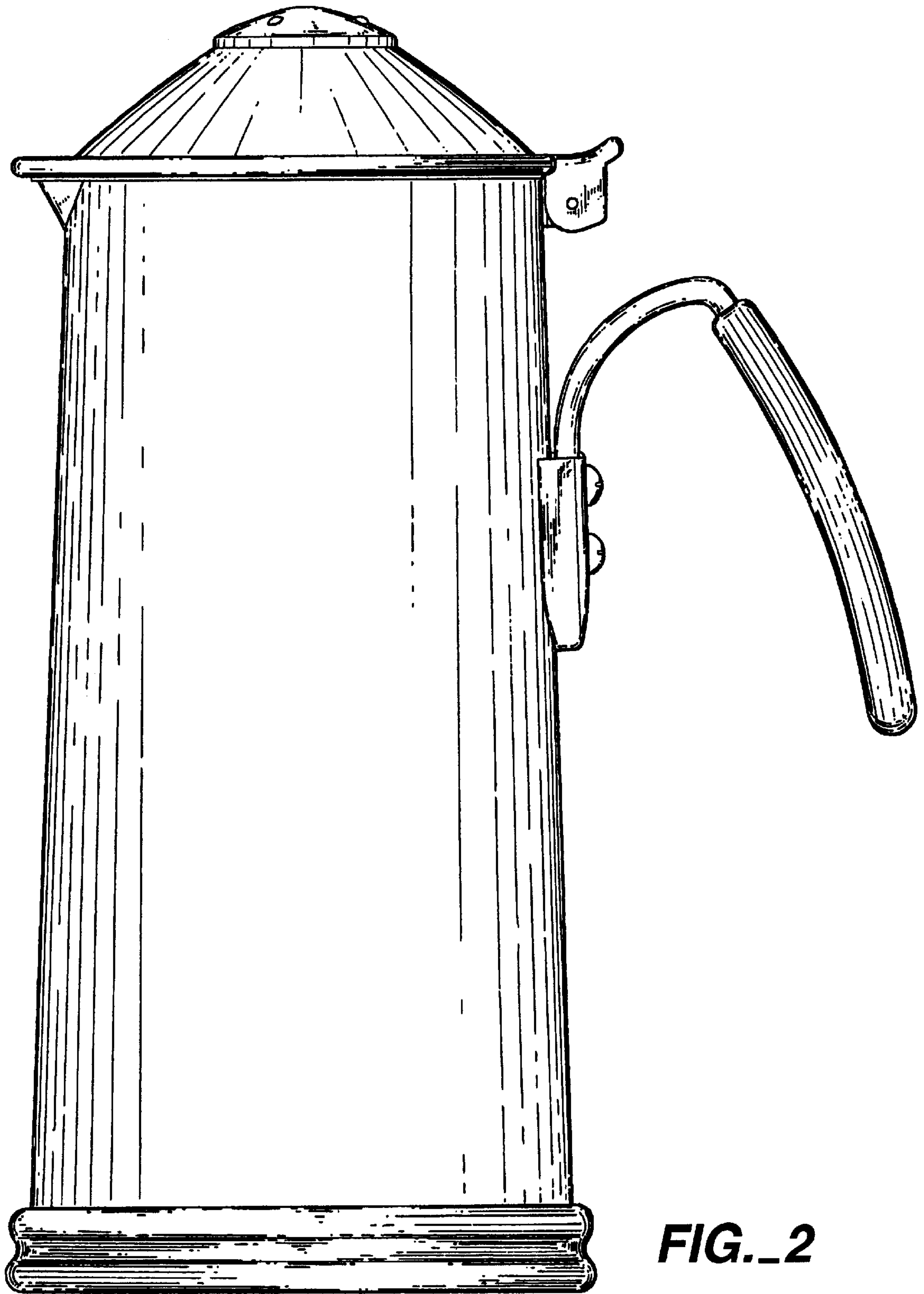


FIG. 2

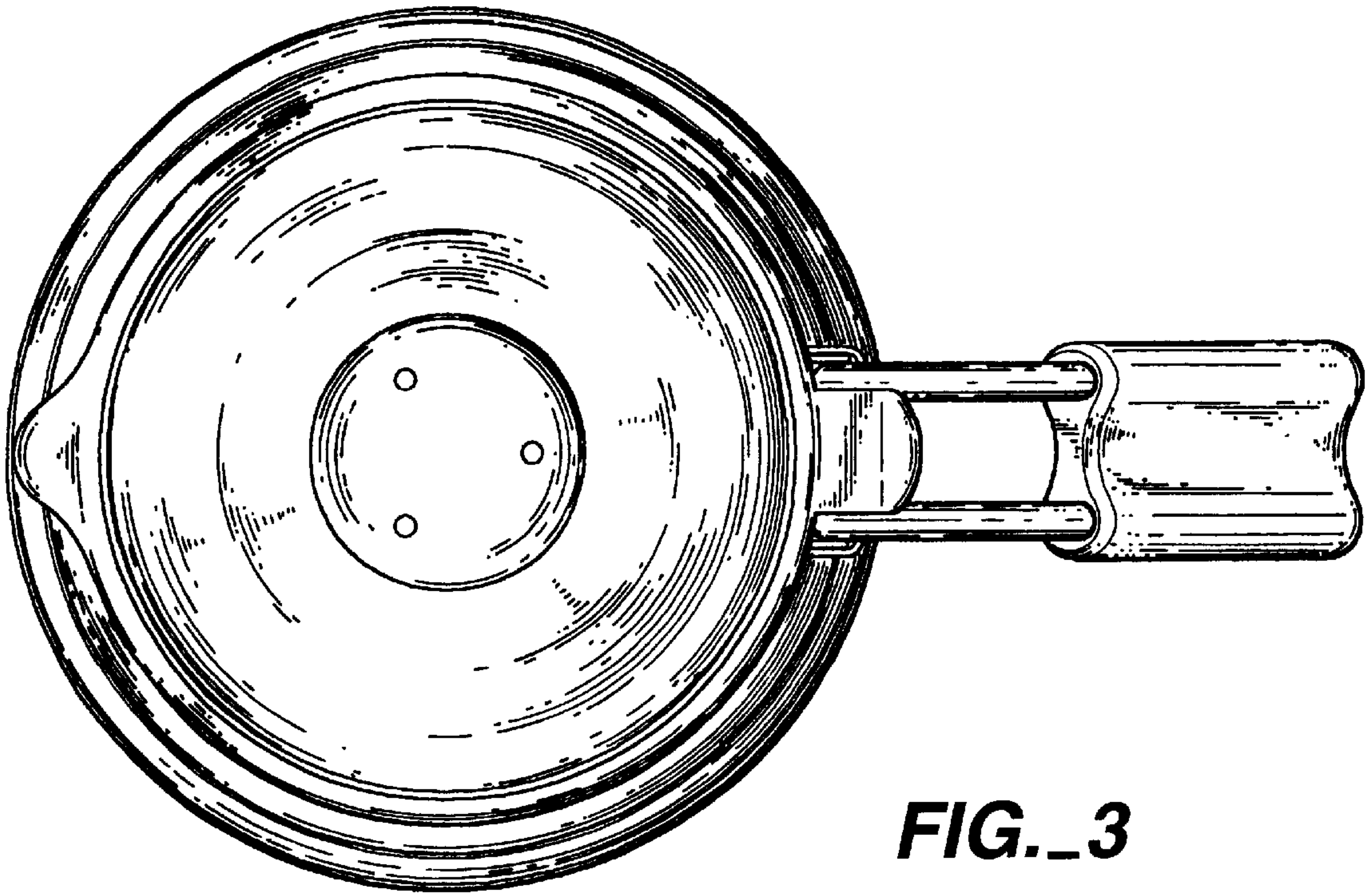


FIG._3

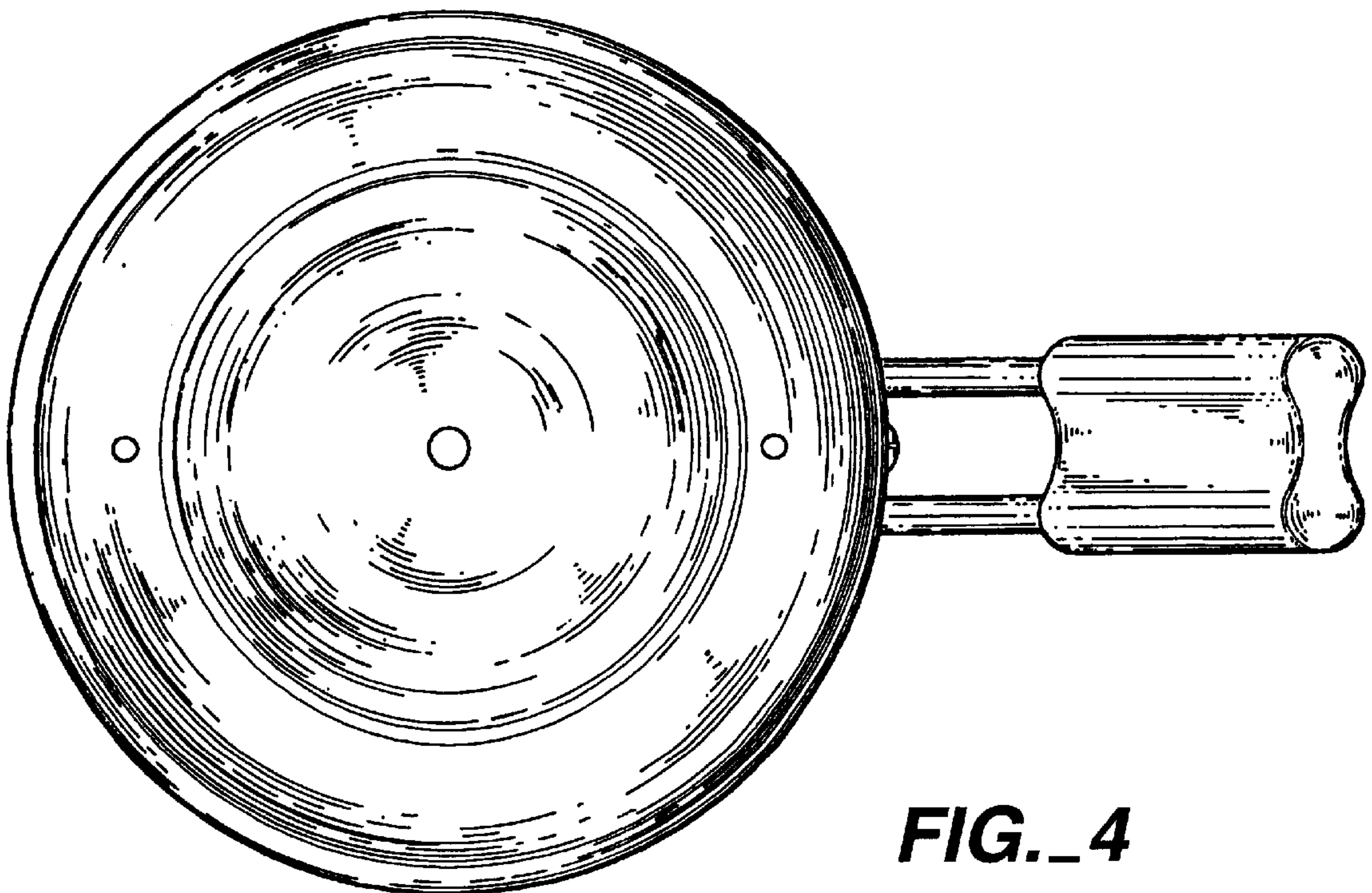


FIG._4

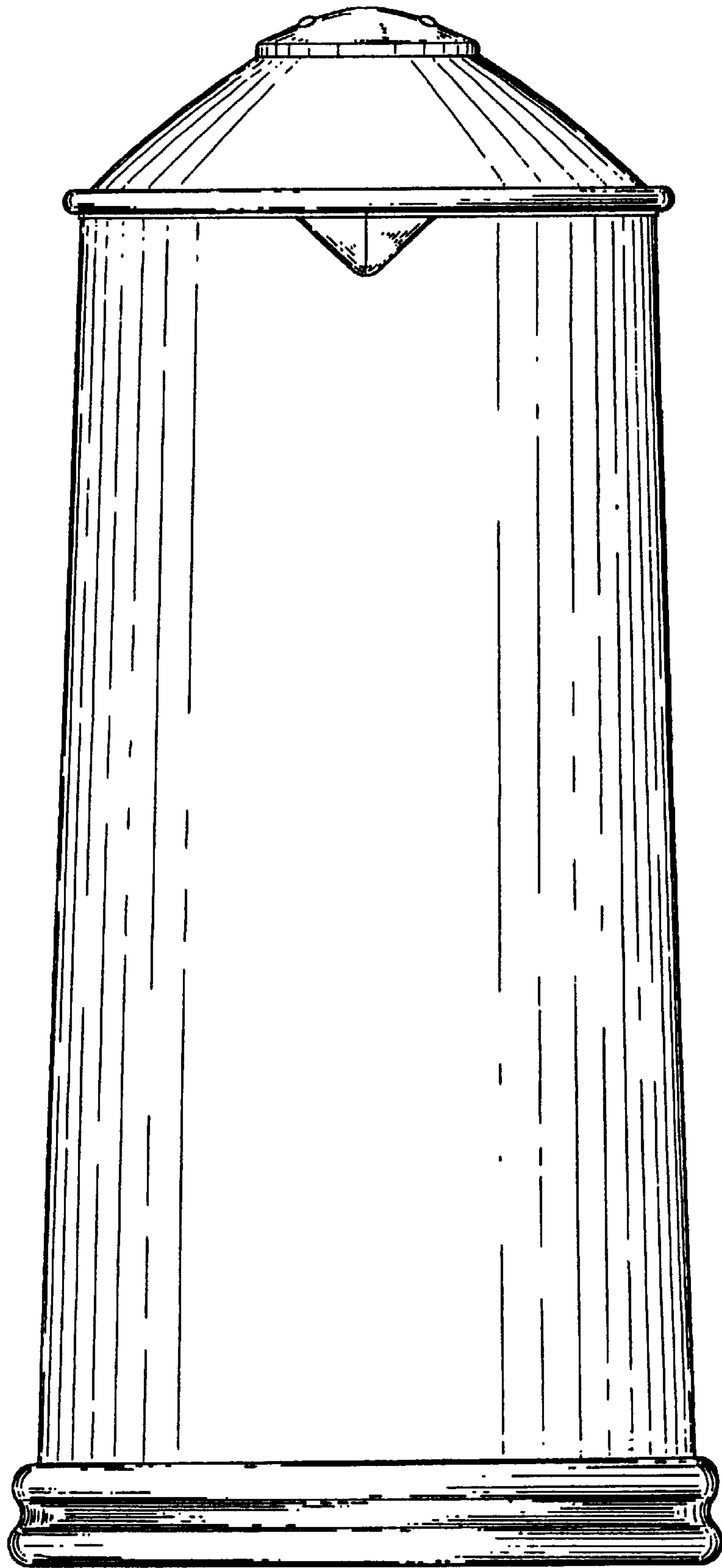


FIG. 5

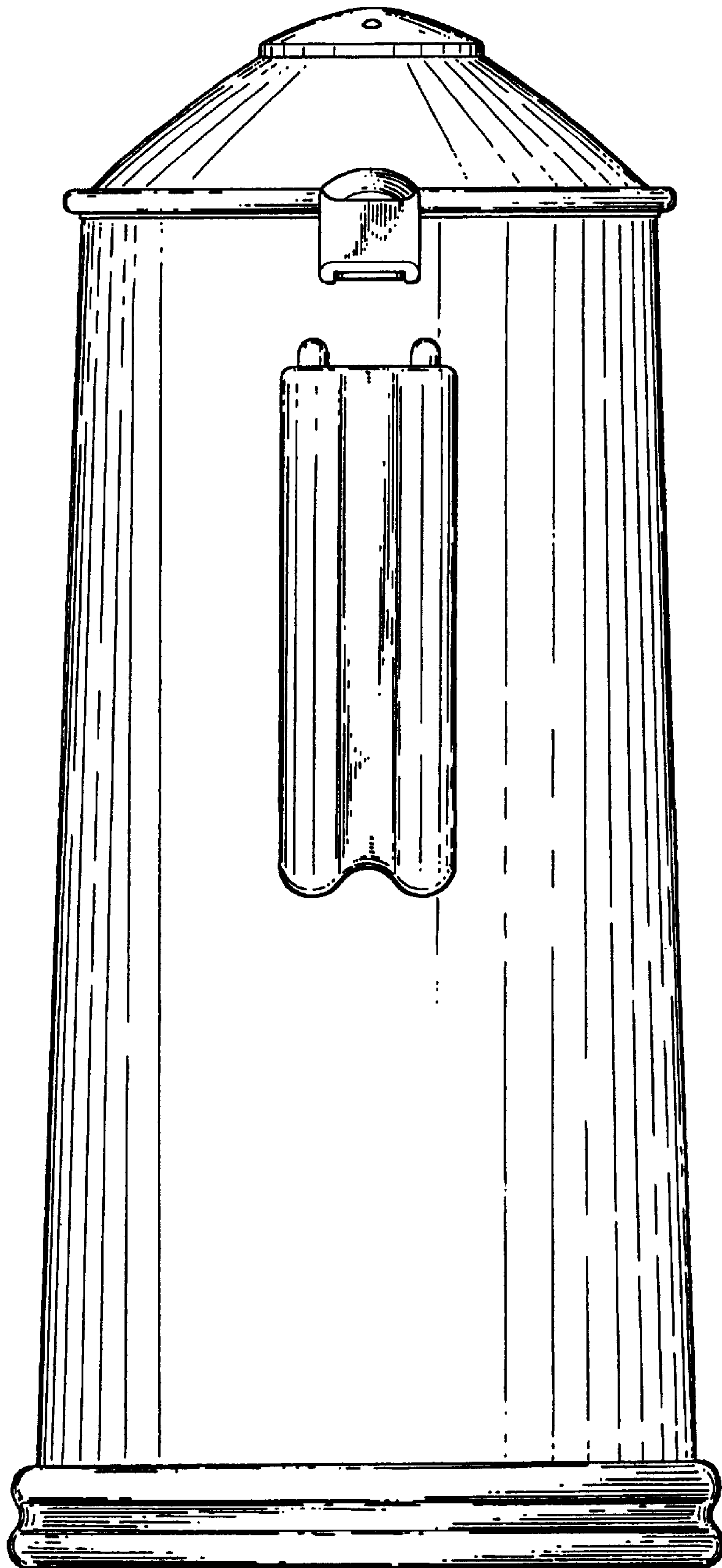


FIG. 6

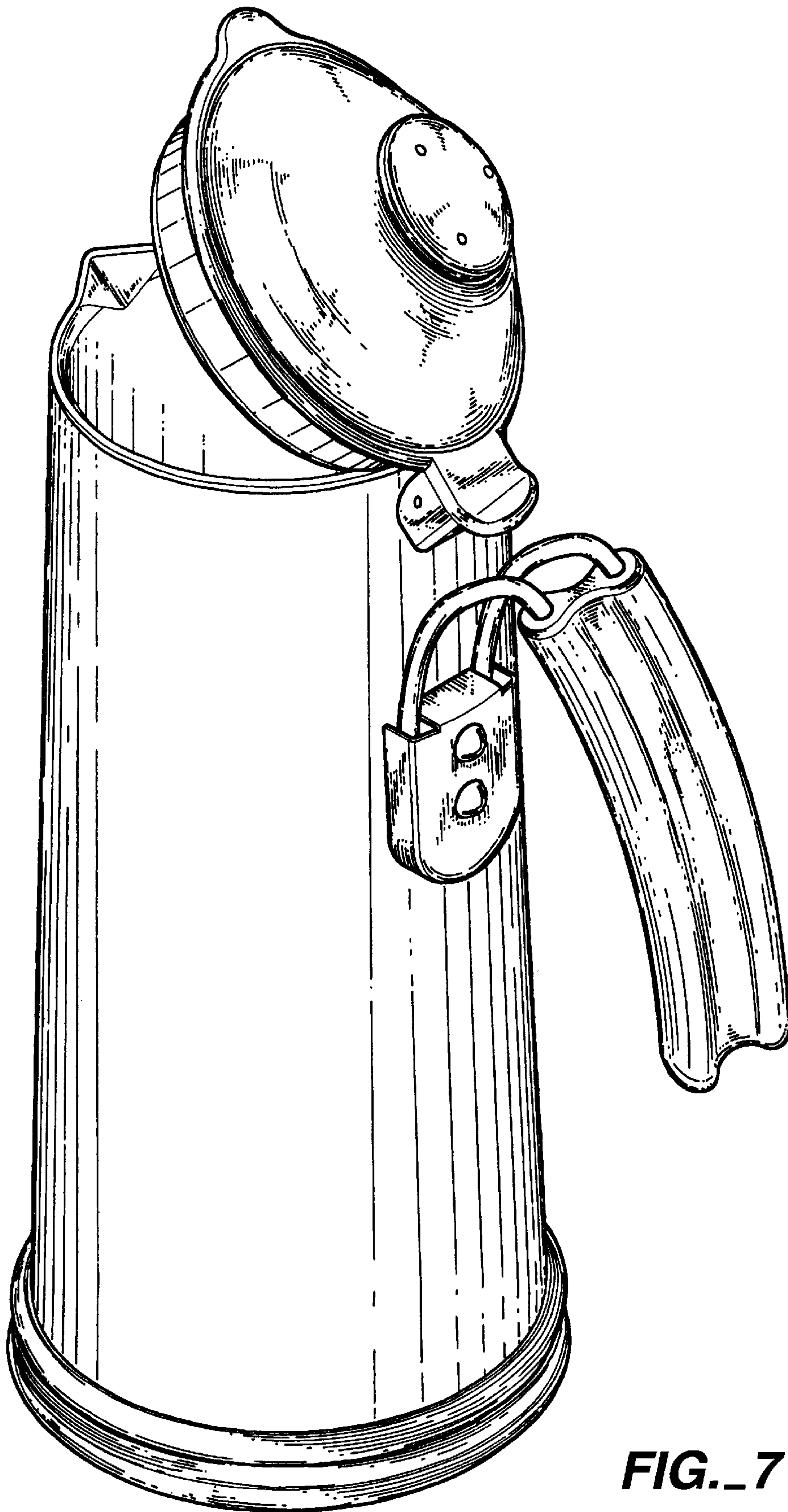


FIG. 7

