



US00D436272S

(12) **United States Design Patent**
Andersson

(10) **Patent No.:** **US D436,272 S**

(45) **Date of Patent:** **** Jan. 16, 2001**

(54) **PAPER DISPENSER**

(75) **Inventor:** Jerker Andersson, Göteborg (SE)

(73) **Assignee:** SCA Hygiene Products AB,
Gothenburg (SE)

(**) **Term:** 14 Years

(21) **Appl. No.:** 29/114,422

(22) **Filed:** Nov. 24, 1999

(30) **Foreign Application Priority Data**

May 26, 1999	(SE)	99-0943
May 26, 1999	(SE)	99-0950
May 26, 1999	(SE)	99-0951

(51) **LOC (7) Cl.** 20-02

(52) **U.S. Cl.** D6/518

(58) **Field of Search** D6/518, 521, 522,
D6/523; 206/389, 824; 221/26, 33, 282,
283; 242/570; 312/34.1, 34.4, 34.8

(56) **References Cited**

U.S. PATENT DOCUMENTS

D. 316,788	*	5/1991	Fischer et al.	D6/522
D. 321,803	*	11/1991	Dawson	D6/518
D. 337,679	*	7/1993	Guigiaro	D6/518

D. 398,797	*	9/1998	Brandenbrug et al.	D6/522
5,772,291	*	6/1998	Byrd et al.	221/33
5,868,275	*	2/1999	Moody	312/34.8

* cited by examiner

Primary Examiner—Brian N. Vinson

(74) *Attorney, Agent, or Firm*—Burns, Doane, Swecker & Mathis, L.L.P.

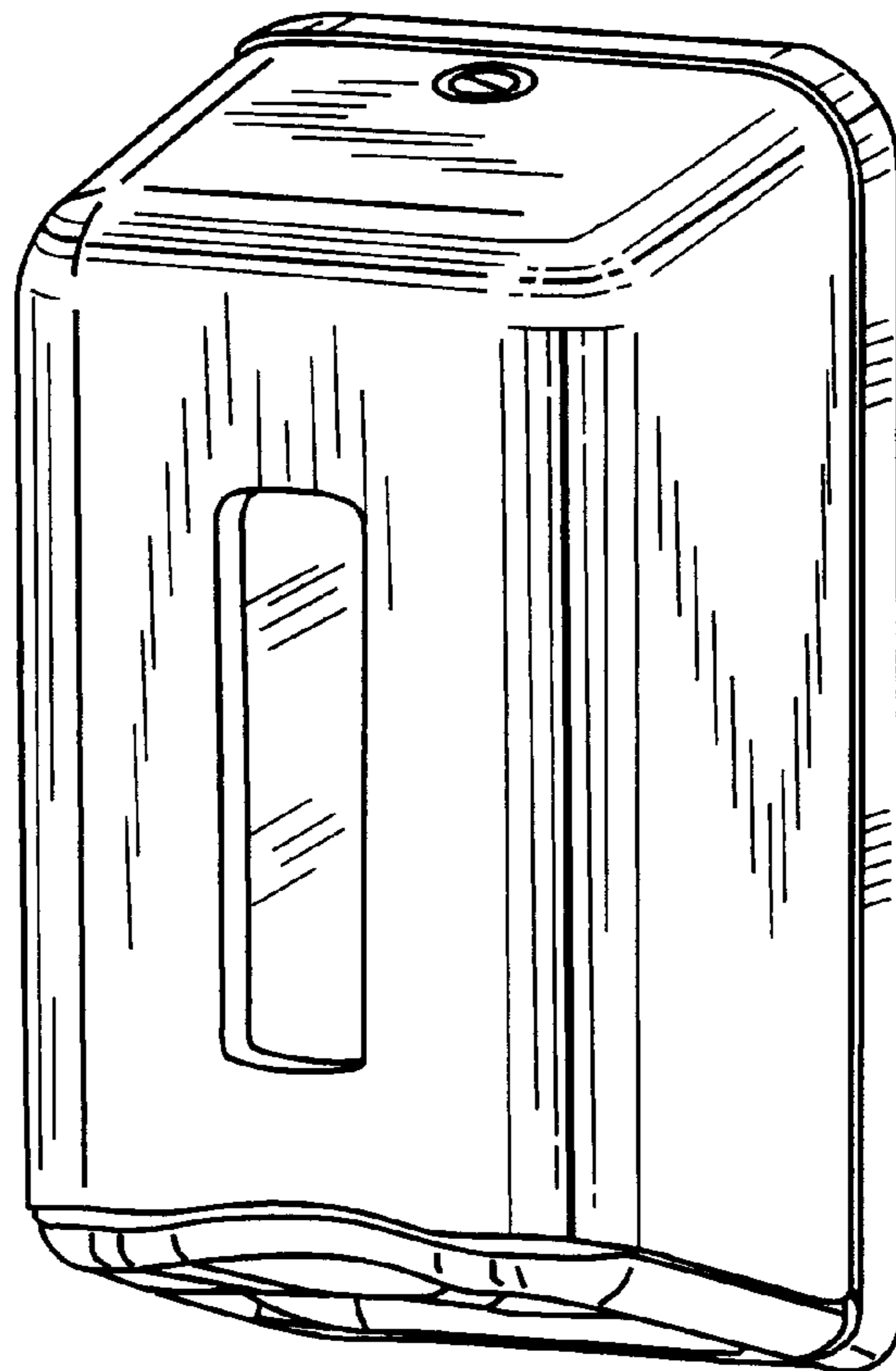
(57) **CLAIM**

The ornamental design for a paper dispenser, as shown and described.

DESCRIPTION

FIG. 1 is a front, side perspective view of a paper dispenser showing my new design;
 FIG. 2 is a side perspective view thereof, with the casing portion being shown in an open position;
 FIG. 3 is a rear perspective view of the casing portion of the paper dispenser shown in FIG. 1, with the wall mounting portion being removed for clarity;
 FIG. 4 is a front, side perspective view of the wall mounting portion of the paper dispenser shown in FIG. 1, with the casing portion being removed for clarity;
 FIG. 5 is a bottom perspective view thereof;
 FIG. 6 is a top perspective view thereof; and,
 FIG. 7 is a rear perspective view thereof.

1 Claim, 3 Drawing Sheets



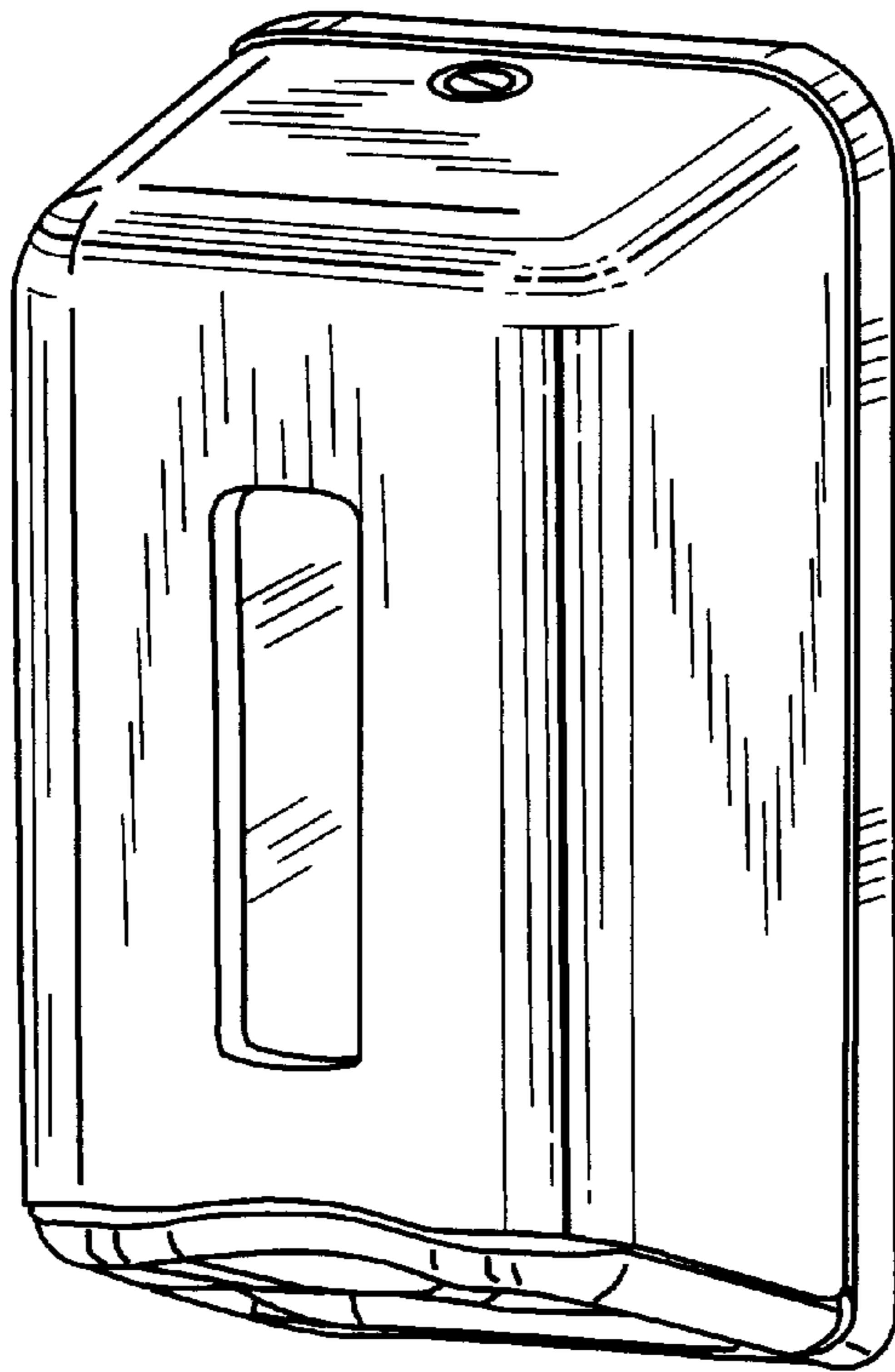


FIG. 1

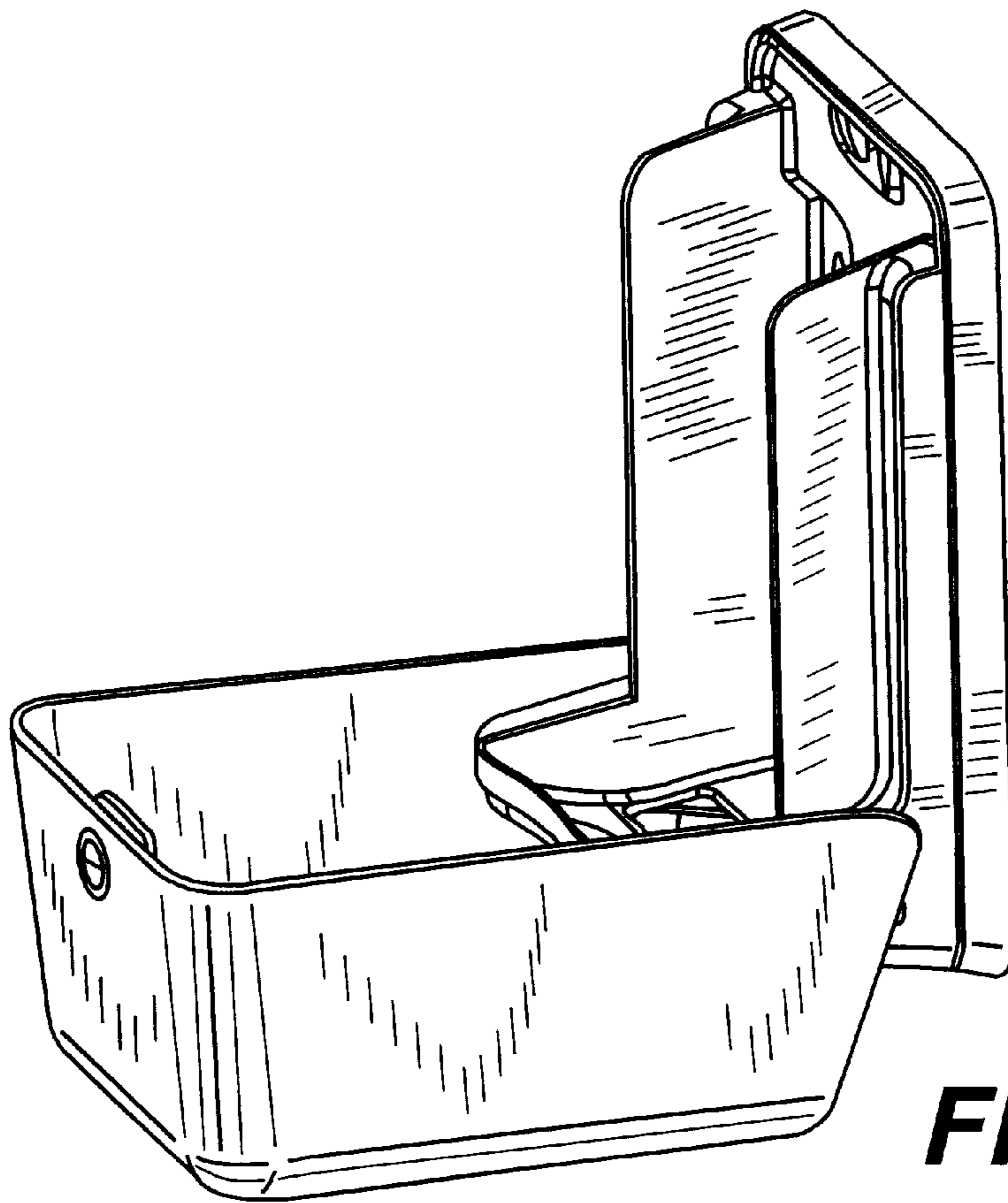


FIG. 2

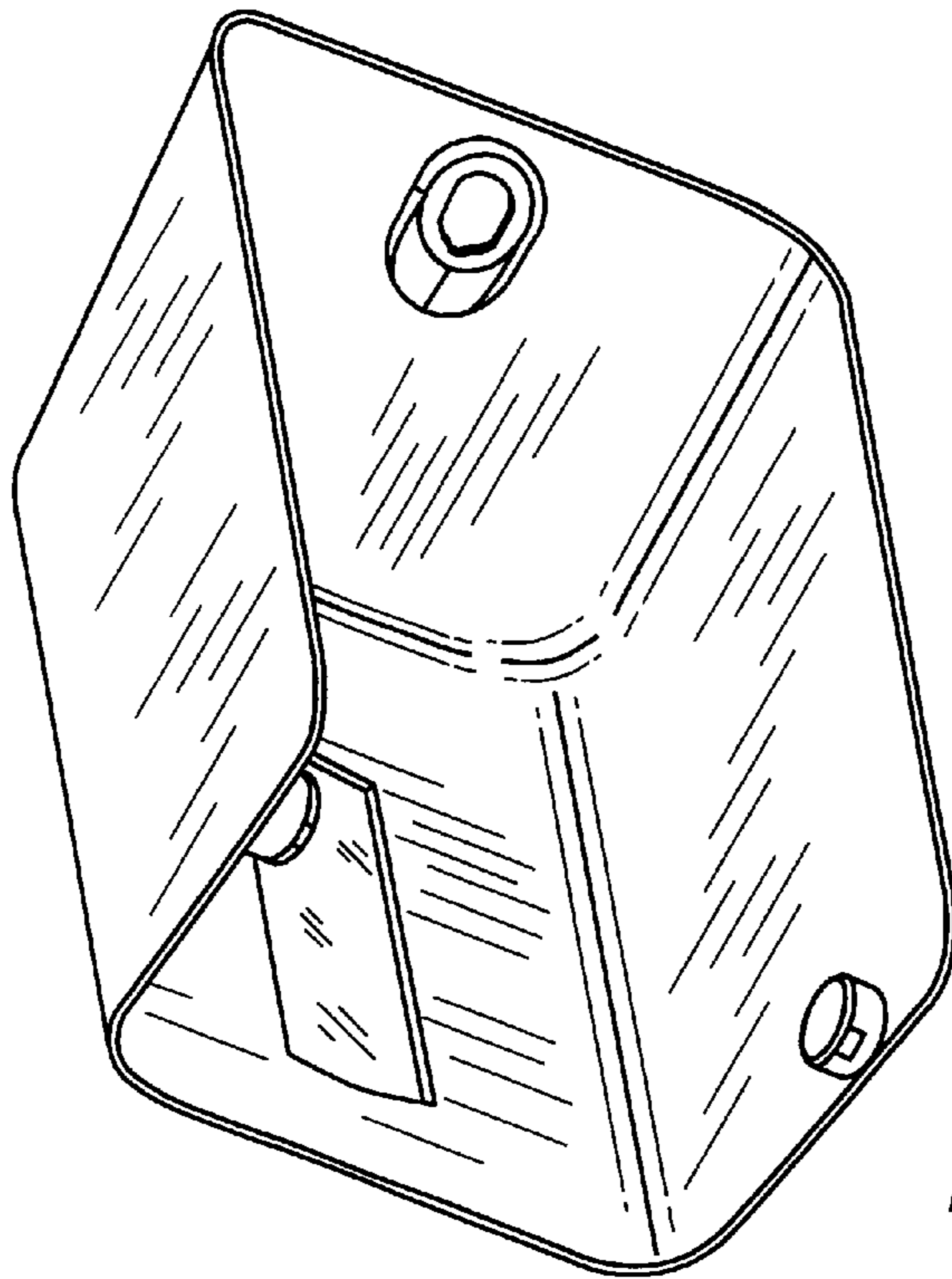


FIG. 3

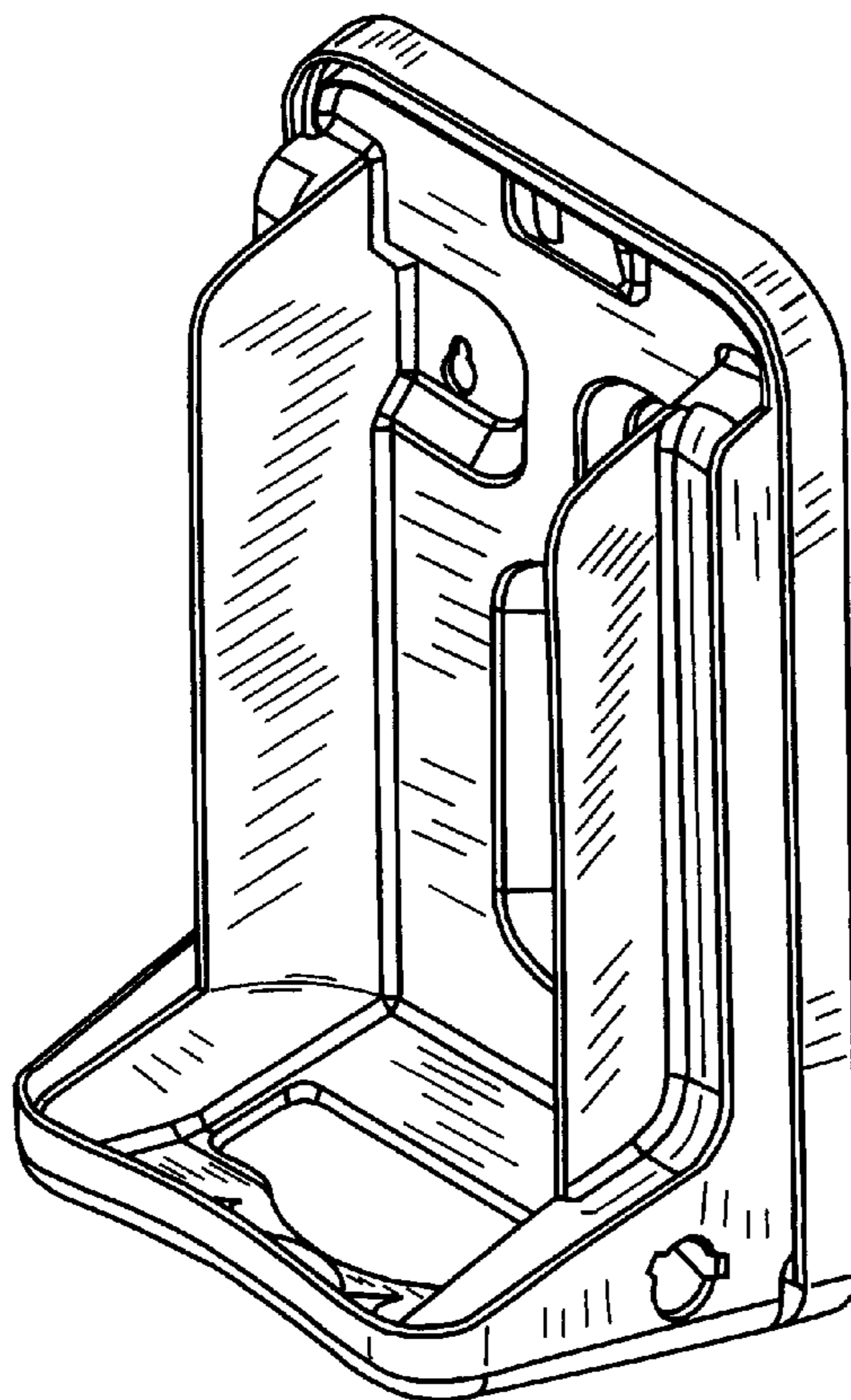


FIG. 4

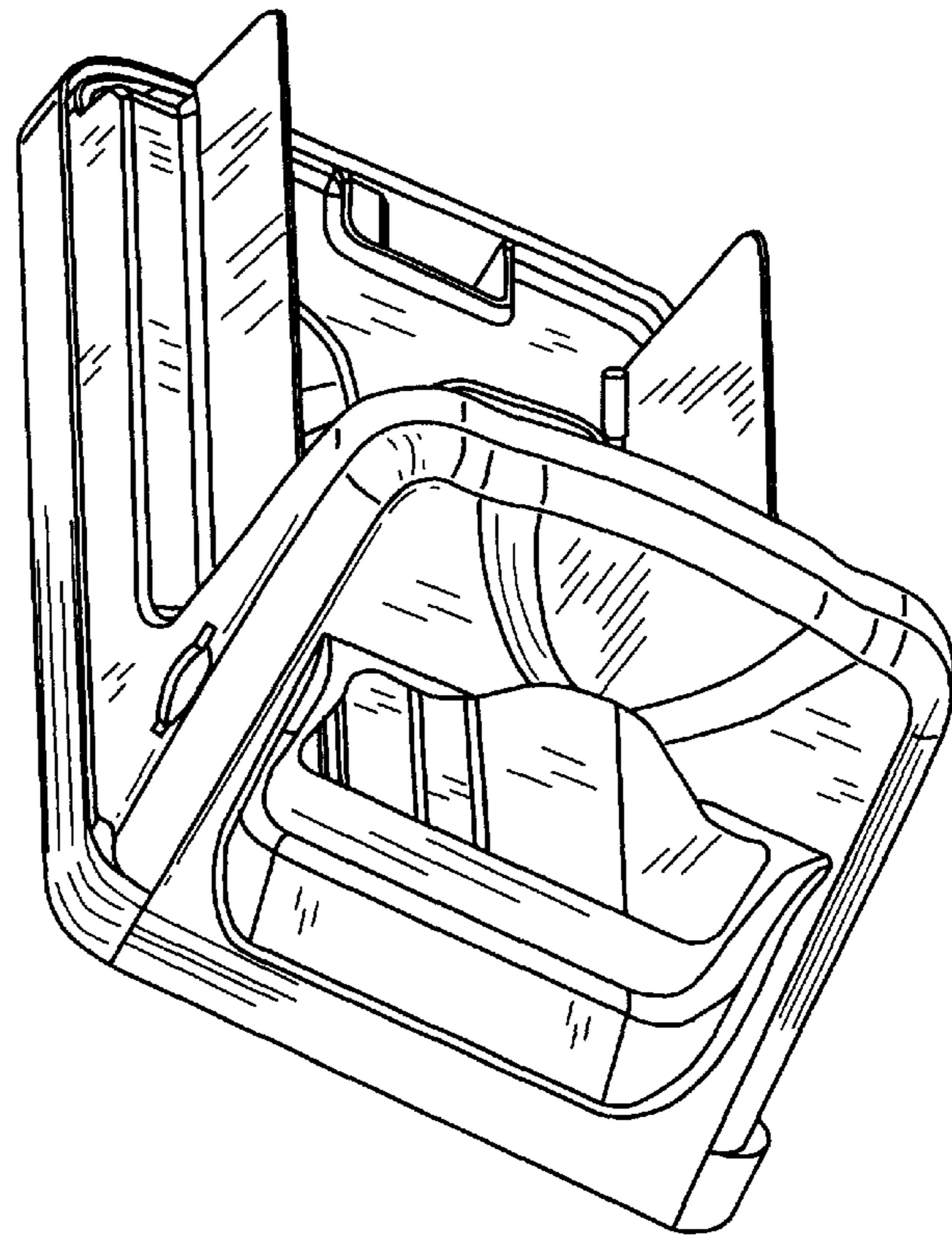


FIG. 5

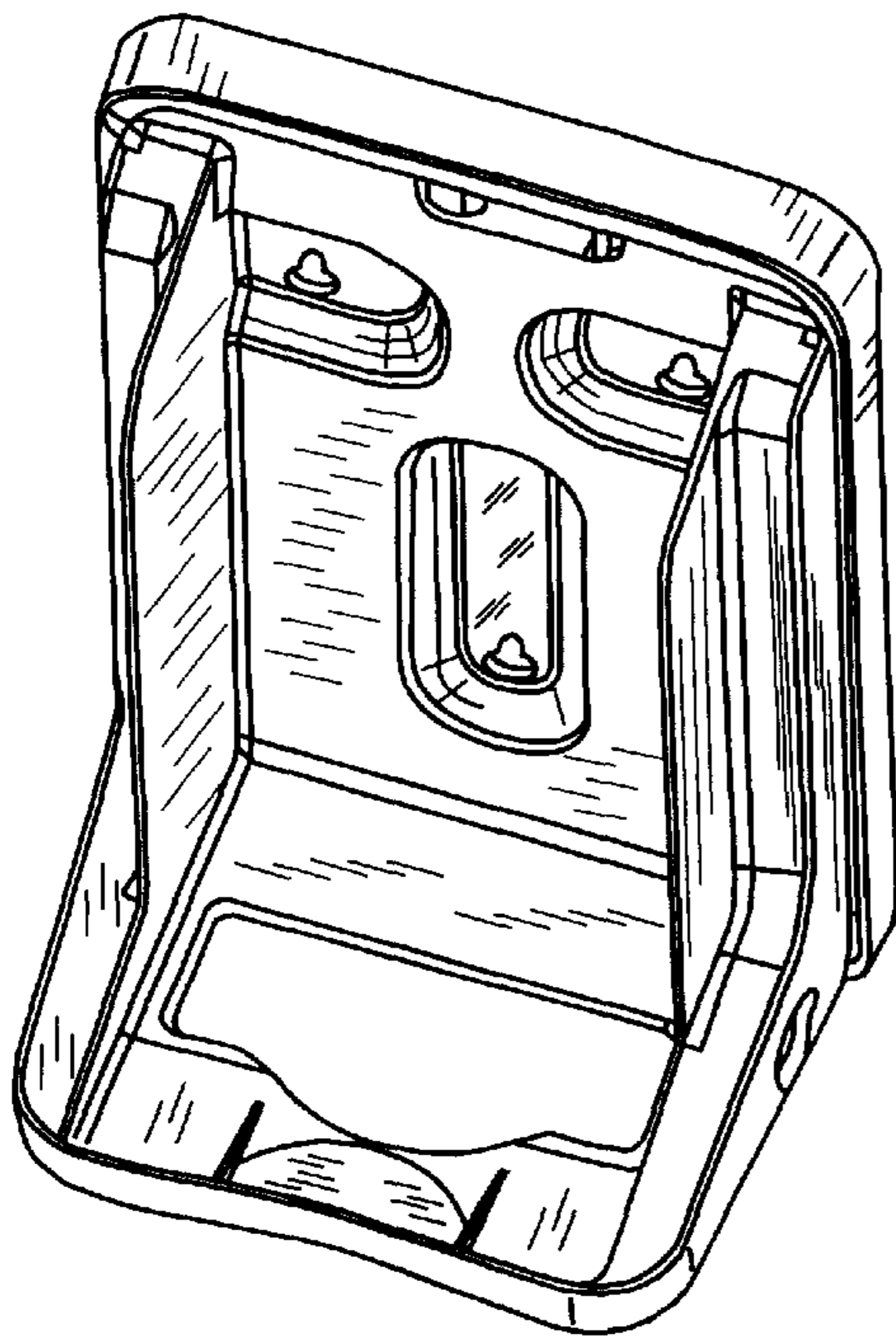


FIG. 6

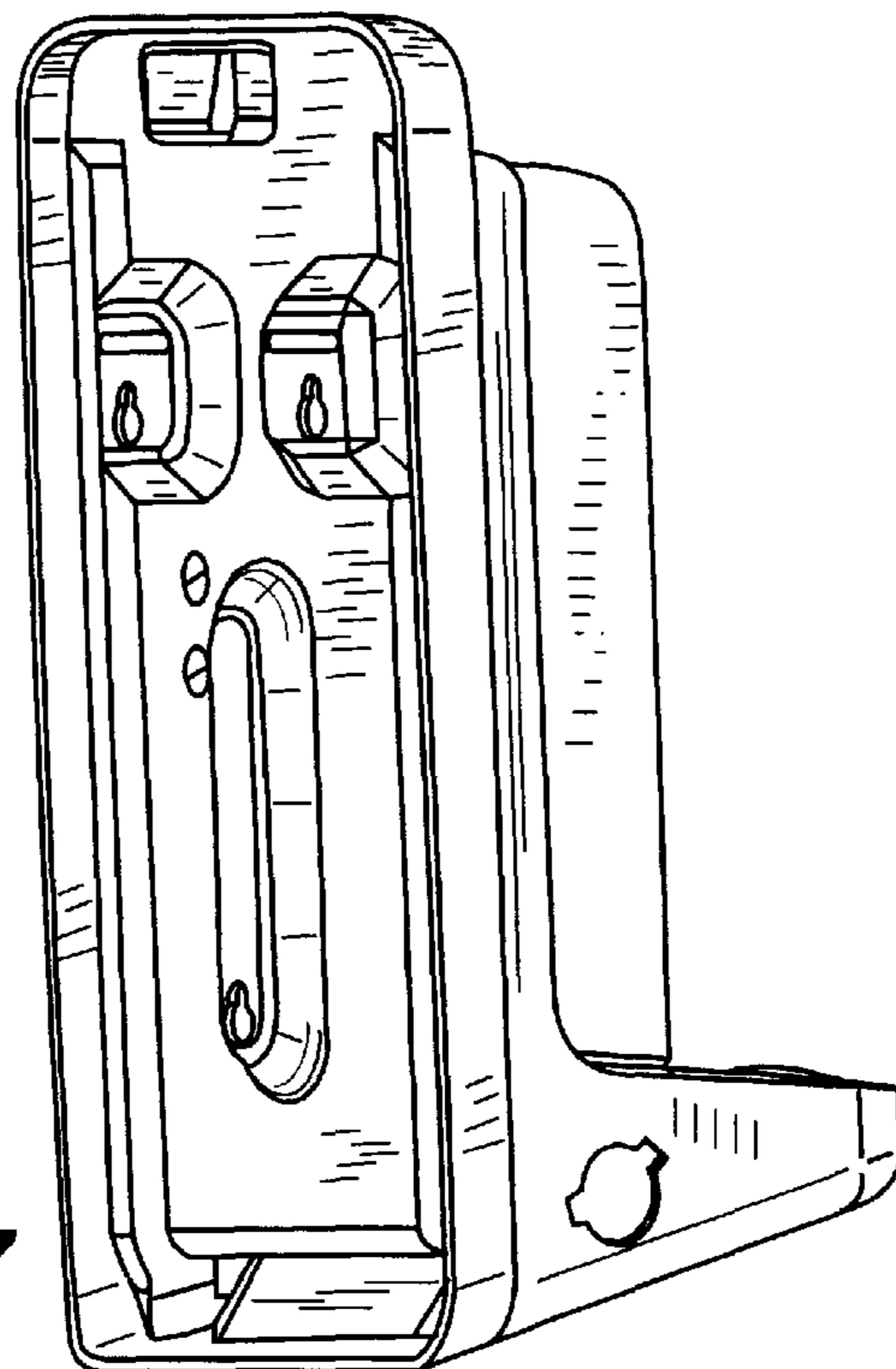


FIG. 7