



US00D436271S

(12) **United States Design Patent**
Corti

(10) **Patent No.:** **US D436,271 S**

(45) **Date of Patent:** **** Jan. 16, 2001**

(54) **HEADREST ACCESSORY**

(76) **Inventor:** **Alessandro Corti**, 4 Via Traversad,
I-59100 Prato (IT)

(**) **Term:** **14 Years**

(21) **Appl. No.:** **29/115,285**

(22) **Filed:** **Dec. 10, 1999**

(51) **LOC (7) Cl.** **06-06**

(52) **U.S. Cl.** **D6/501**

(58) **Field of Search** D6/334, 335, 336,
D6/356, 500, 501, 502, 595, 596, 601;
297/391, 394, 397, 220

(56) **References Cited**

U.S. PATENT DOCUMENTS

D. 138,510	*	8/1944	Dreyfuss	D6/356
D. 191,447	*	10/1961	Kerr	D6/502
D. 193,001	*	6/1962	Mason	D6/356
D. 202,425	*	9/1965	Denver	D6/356
D. 283,089	*	3/1986	Mcardle	D6/356
D. 353,497	*	12/1994	Berkvist et al.	D6/356
547,389	*	10/1895	Akeley	297/394
2,589,155	*	3/1952	Smith	297/391
4,440,443	*	4/1984	Nordskog	297/397
4,738,488	*	4/1988	Camelio	297/391

4,838,611	*	6/1989	Talaugon	297/391
4,991,222	*	2/1991	Nixdorf	297/397
5,370,446	*	12/1994	Bancod	297/220
5,505,523	*	4/1996	Wang	297/397

* cited by examiner

Primary Examiner—Doris V. Coles

Assistant Examiner—Mimosa De

(74) *Attorney, Agent, or Firm*—Saidman DesignLaw Group

(57) **CLAIM**

The ornamental design for a headrest accessory, as shown and described.

DESCRIPTION

FIG. 1 is a front and side perspective view of a headrest accessory showing my new design mounted on a headrest; FIG. 2 is a rear and side perspective view thereof; FIG. 3 is a front view thereof; FIG. 4 is a right side view thereof, the left side view being a mirror image; FIG. 5 is a rear view thereof; and, FIG. 6 is a rear view thereof, showing my design in an unfastened condition.

The broken lines shown in the FIGURES are environmental only and form no part of the claimed design.

1 Claim, 2 Drawing Sheets

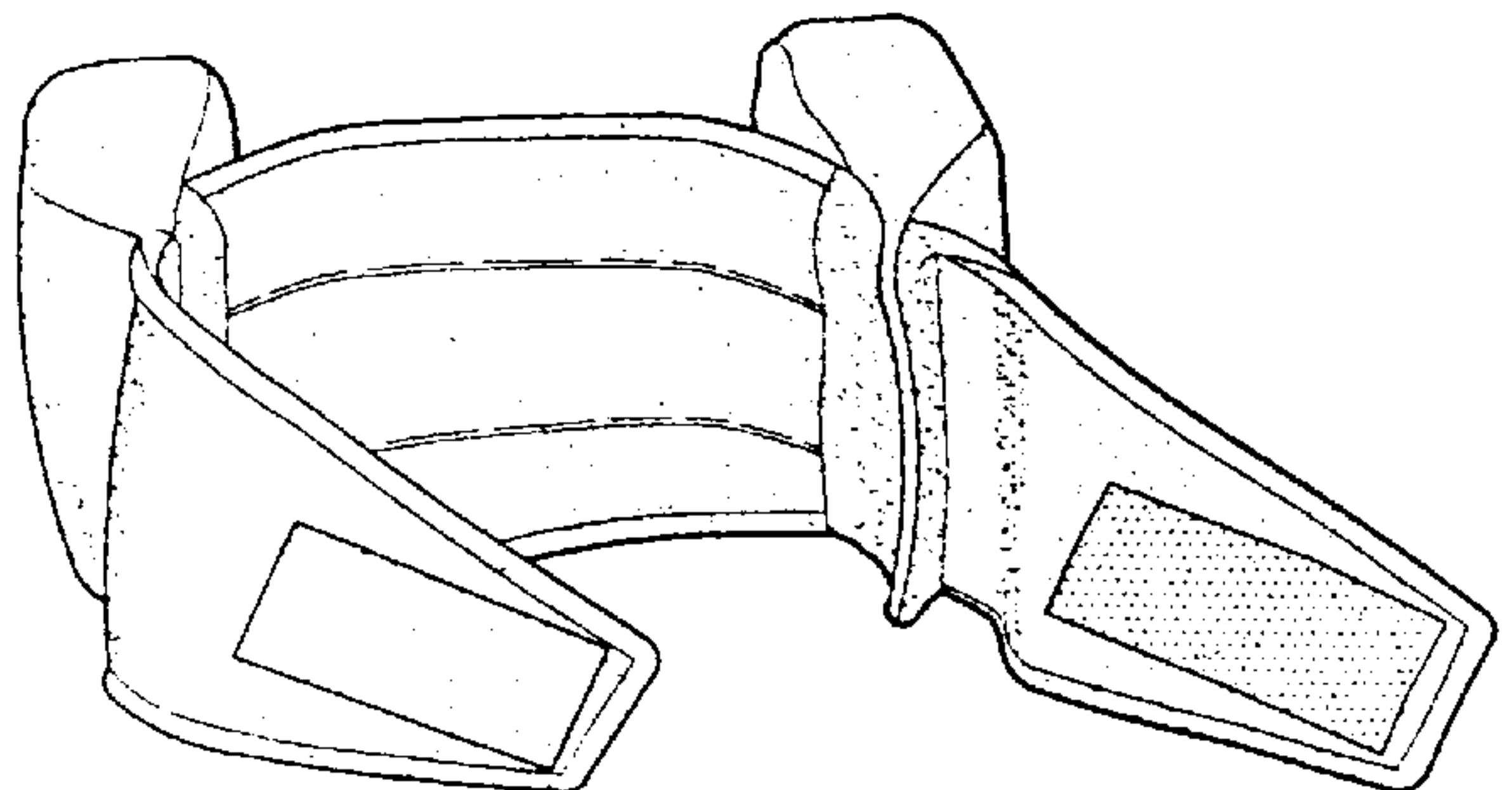
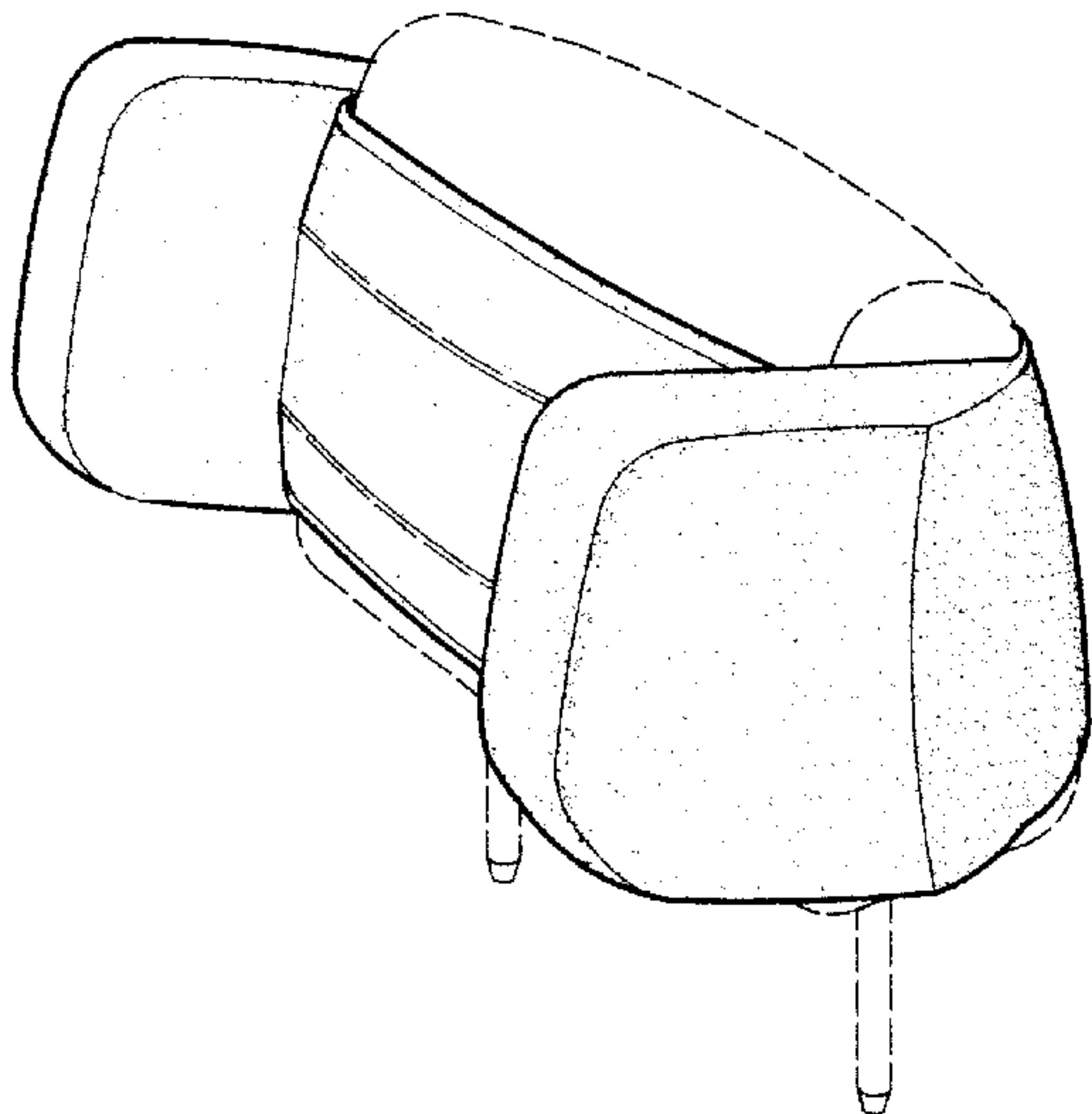


Fig. 1

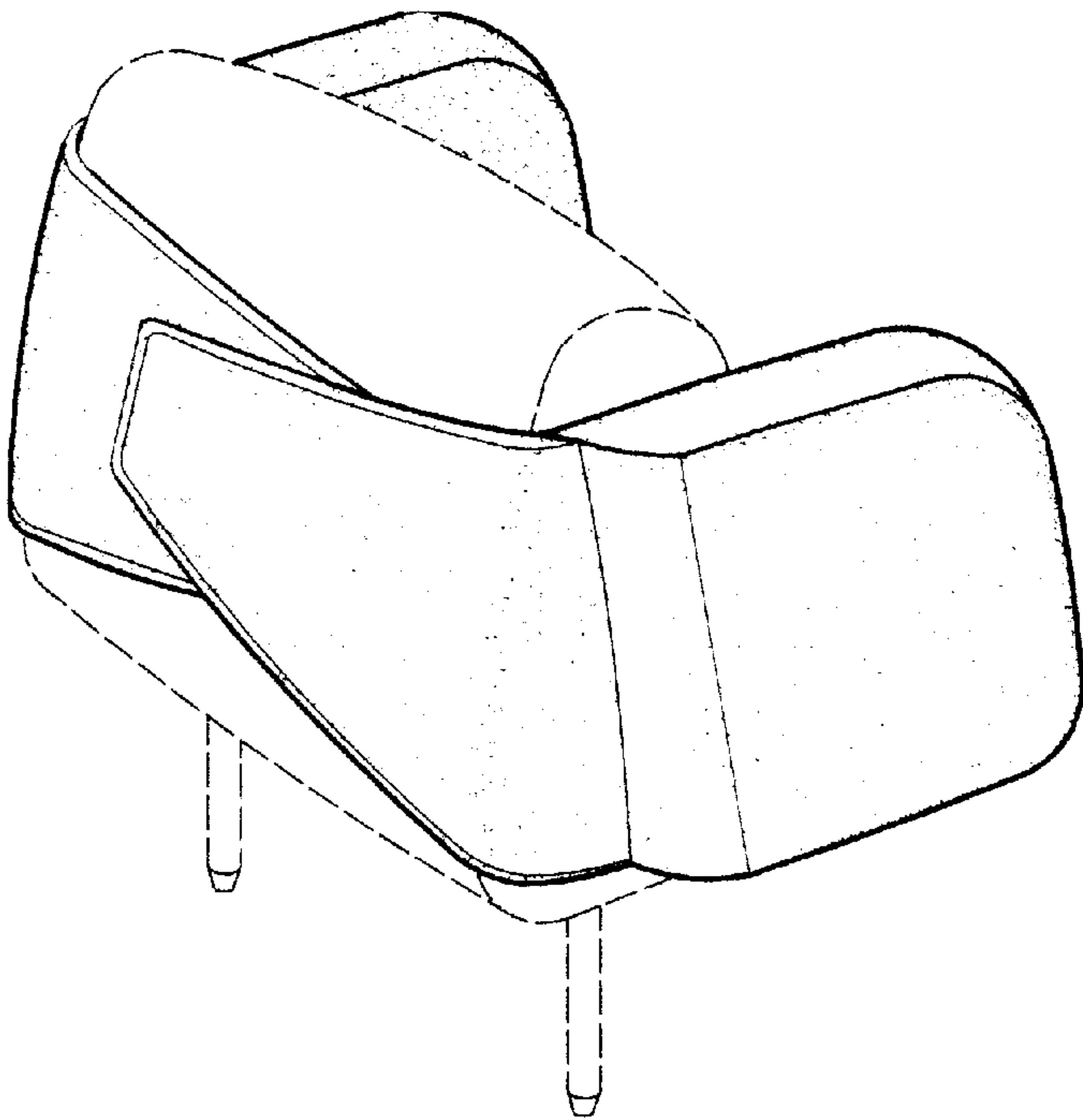
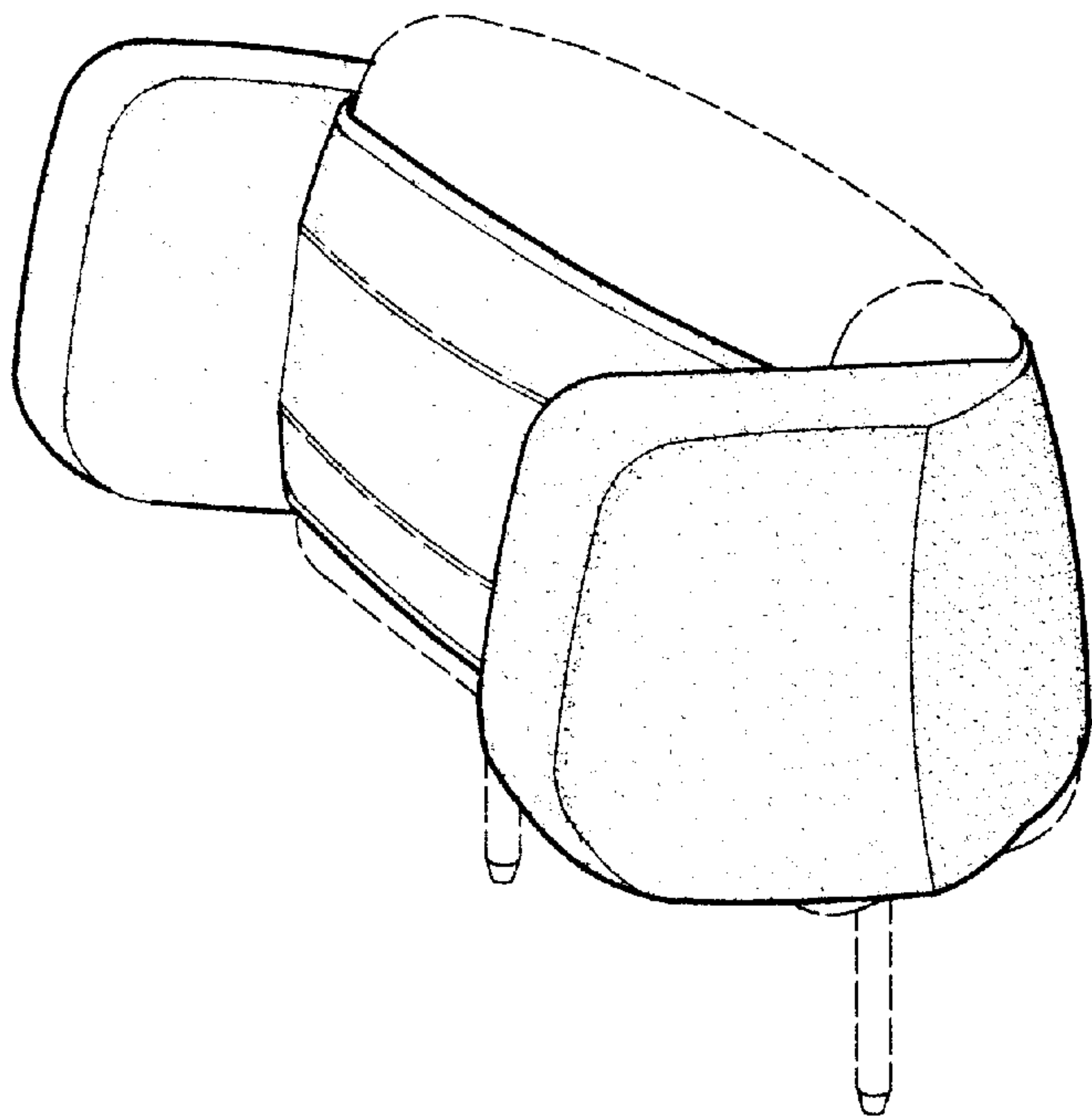


Fig. 2

Fig. 3

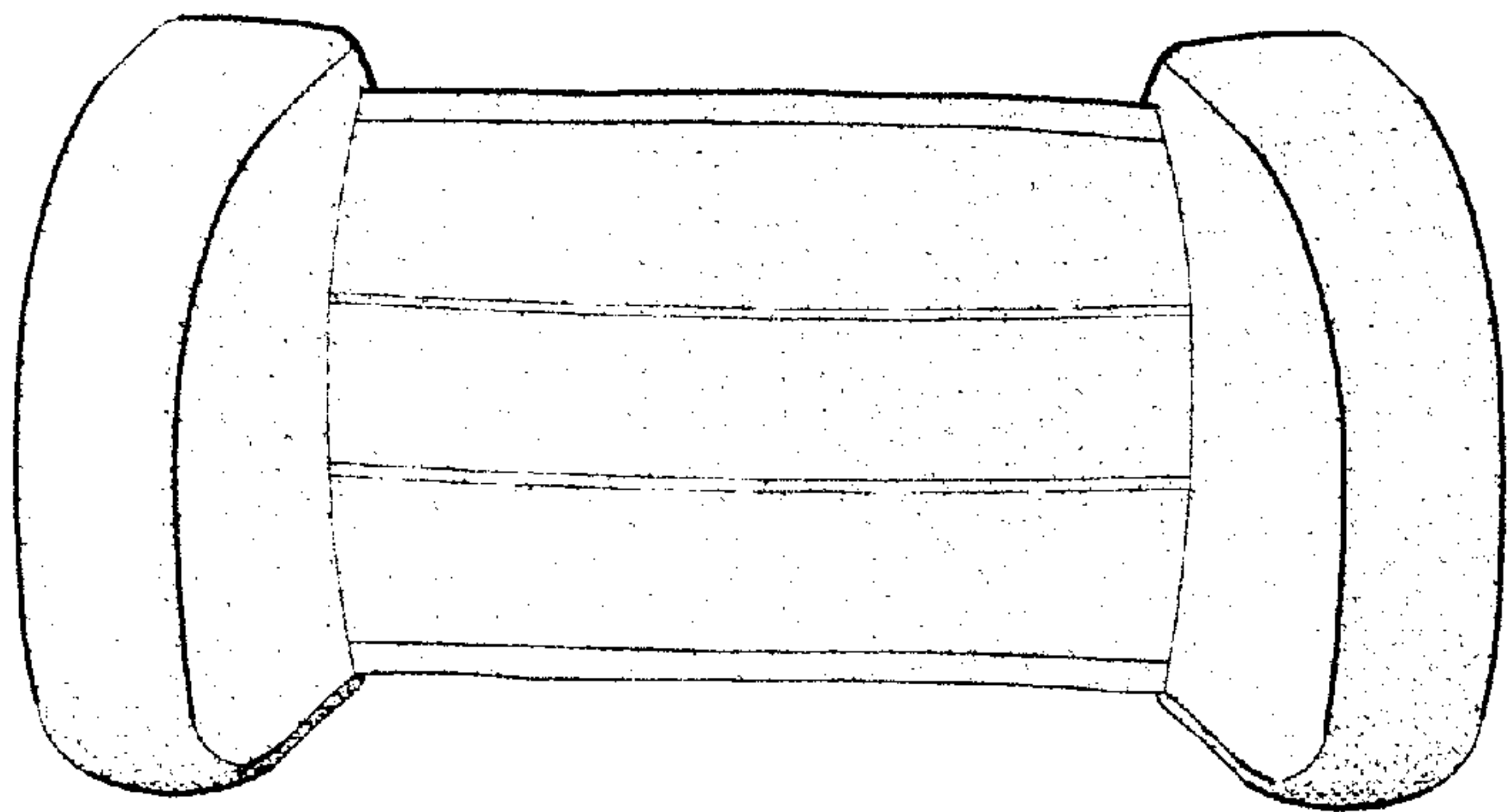


Fig. 4

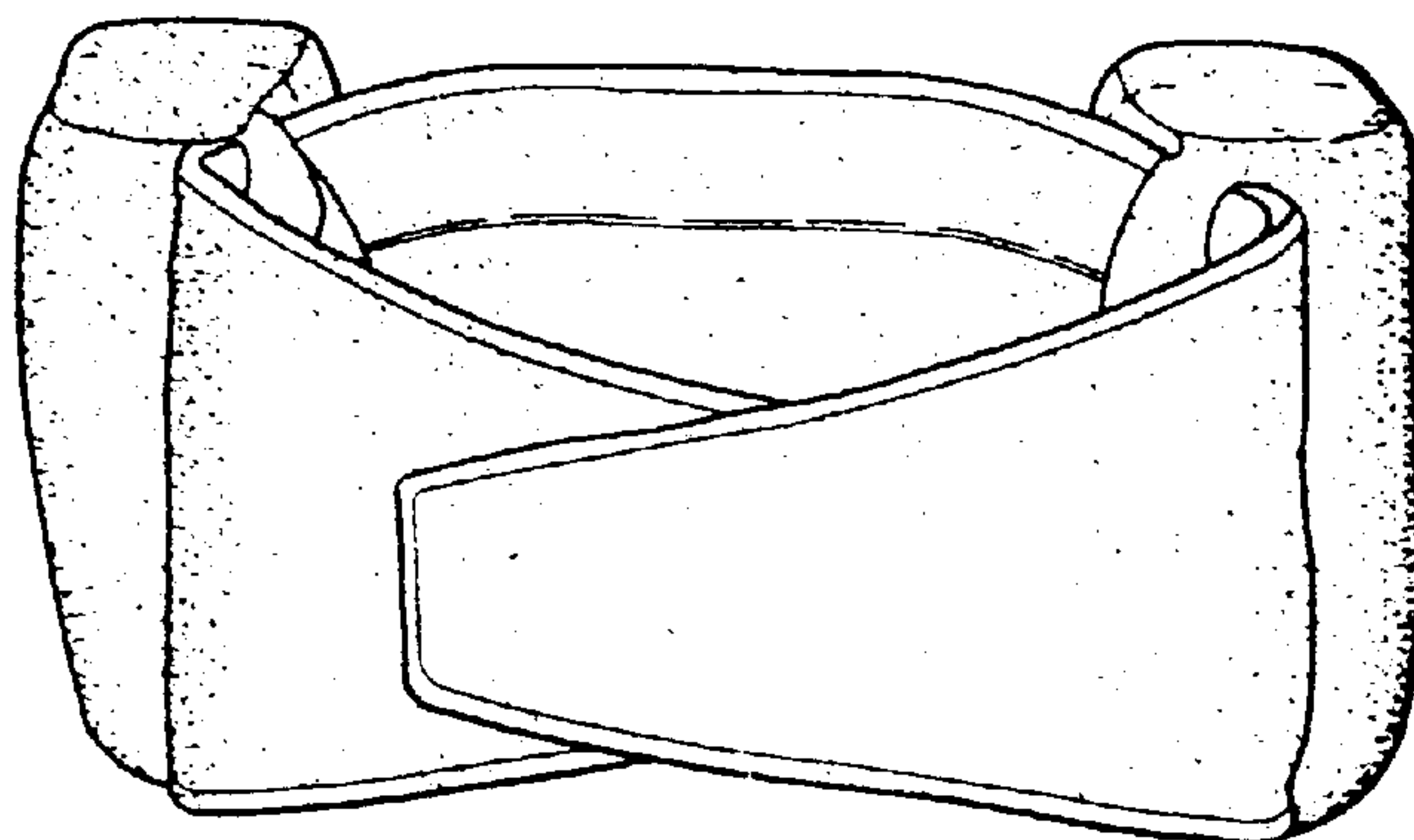
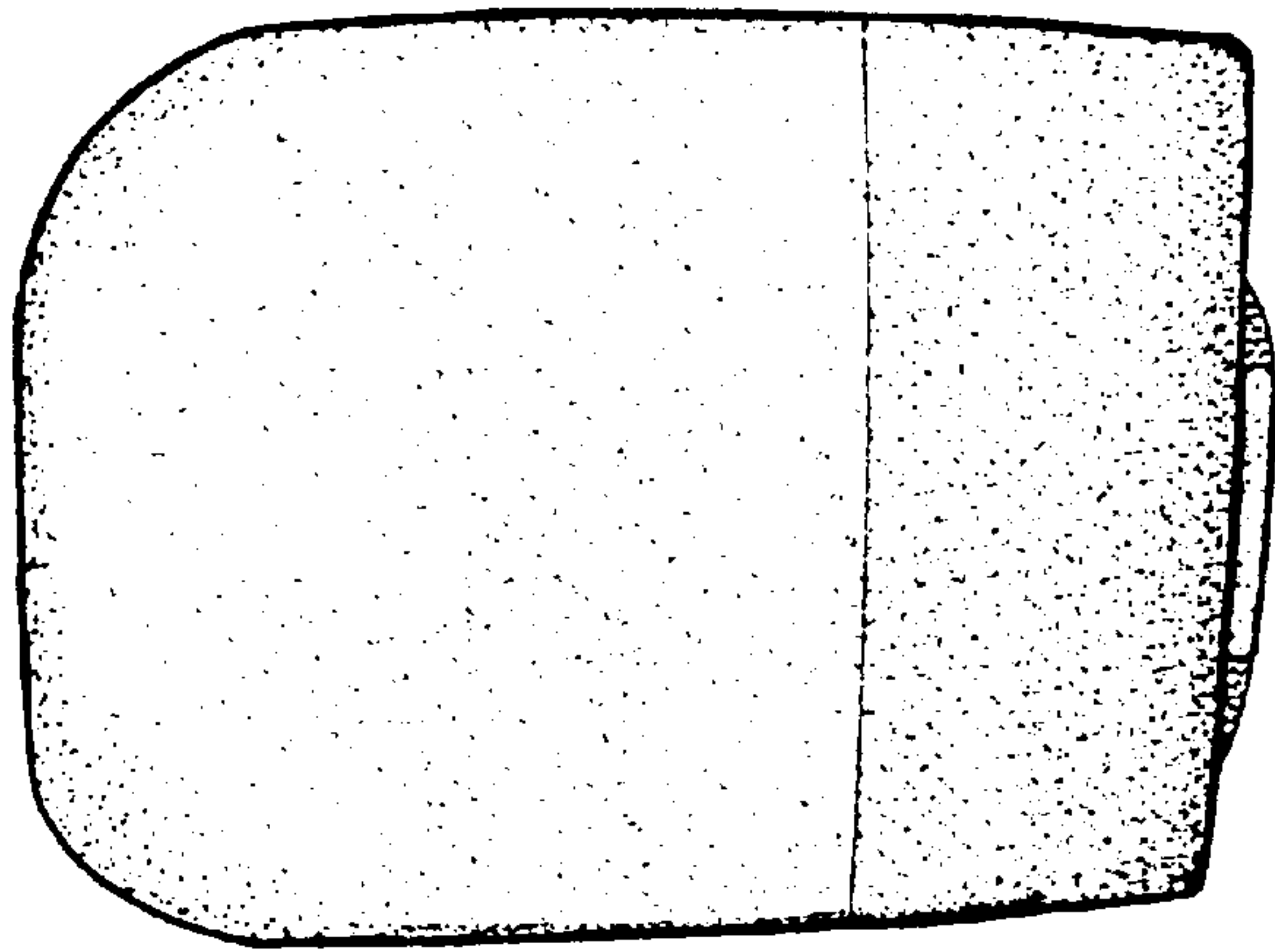


Fig. 5

Fig. 6

