



US00D436269S

(12) **United States Design Patent**  
**Kane**

(10) **Patent No.:** **US D436,269 S**

(45) **Date of Patent:** **\*\* Jan. 16, 2001**

(54) **SIDE ARM TABLE**

(75) Inventor: **Brian J. Kane**, San Francisco, CA (US)

(73) Assignee: **Landscape Forms, Inc.**, Kalamazoo, MI (US)

(\*\*) Term: **14 Years**

(21) Appl. No.: **29/116,728**

(22) Filed: **Jan. 10, 2000**

(51) **LOC (7) Cl.** ..... **06-03**

(52) **U.S. Cl.** ..... **D6/485; D6/483; D6/574**

(58) **Field of Search** ..... D6/480, 482, 485, D6/491, 555, 574, 511, 483; 108/150; 297/173, 160-162, 411.23, 411.24, 411.26, 411.35, 411.36; 248/118.1, 118.3, 118.5

(56) **References Cited**

**U.S. PATENT DOCUMENTS**

- D. 168,688 \* 1/1953 Johnson et al. .... D6/485
- D. 253,748 \* 12/1979 Kovacs ..... D8/363
- D. 370,148 \* 5/1996 Maharg ..... D6/574

D. 428,291 \* 7/2000 Koncar ..... D6/574

\* cited by examiner

*Primary Examiner*—Janice E. Seeger

(74) *Attorney, Agent, or Firm*—Heslin & Rothenberg, P.C.

(57) **CLAIM**

The ornamental design for a side arm table, as shown and described.

**DESCRIPTION**

FIG. 1 is an isometric view of the side arm table of my new design;

FIG. 2 is a top plan view thereof;

FIG. 3 is a front elevational view thereof, the back elevational view being a mirror image thereof;

FIG. 4 is a left side elevational view thereof;

FIG. 5 is a right side elevational view thereof; and,

FIG. 6 is a bottom plan view thereof.

The broken line showing in the drawing figures is for illustrative purposes only and forms no part of the claimed design.

**1 Claim, 2 Drawing Sheets**

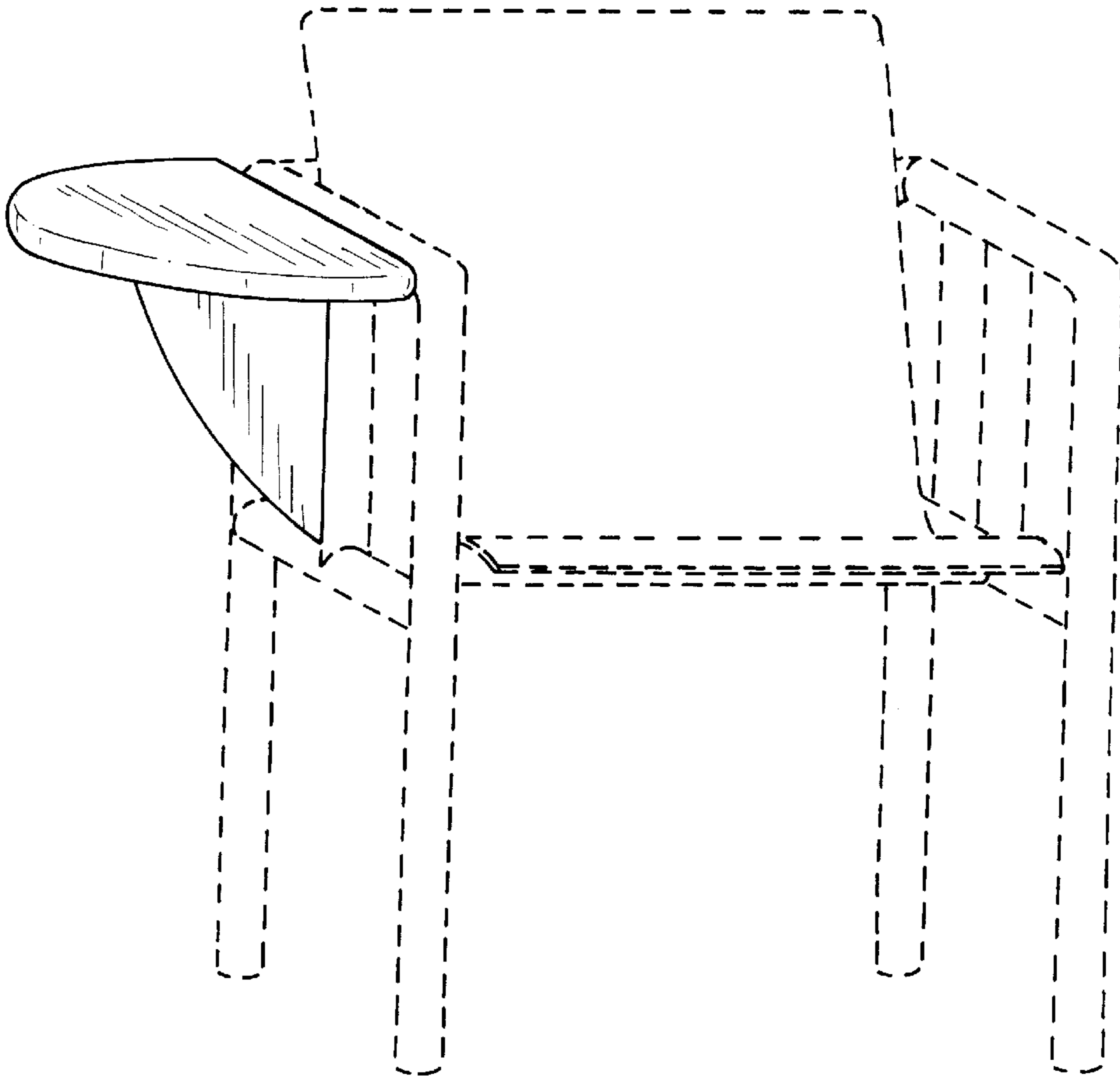


FIG. 1

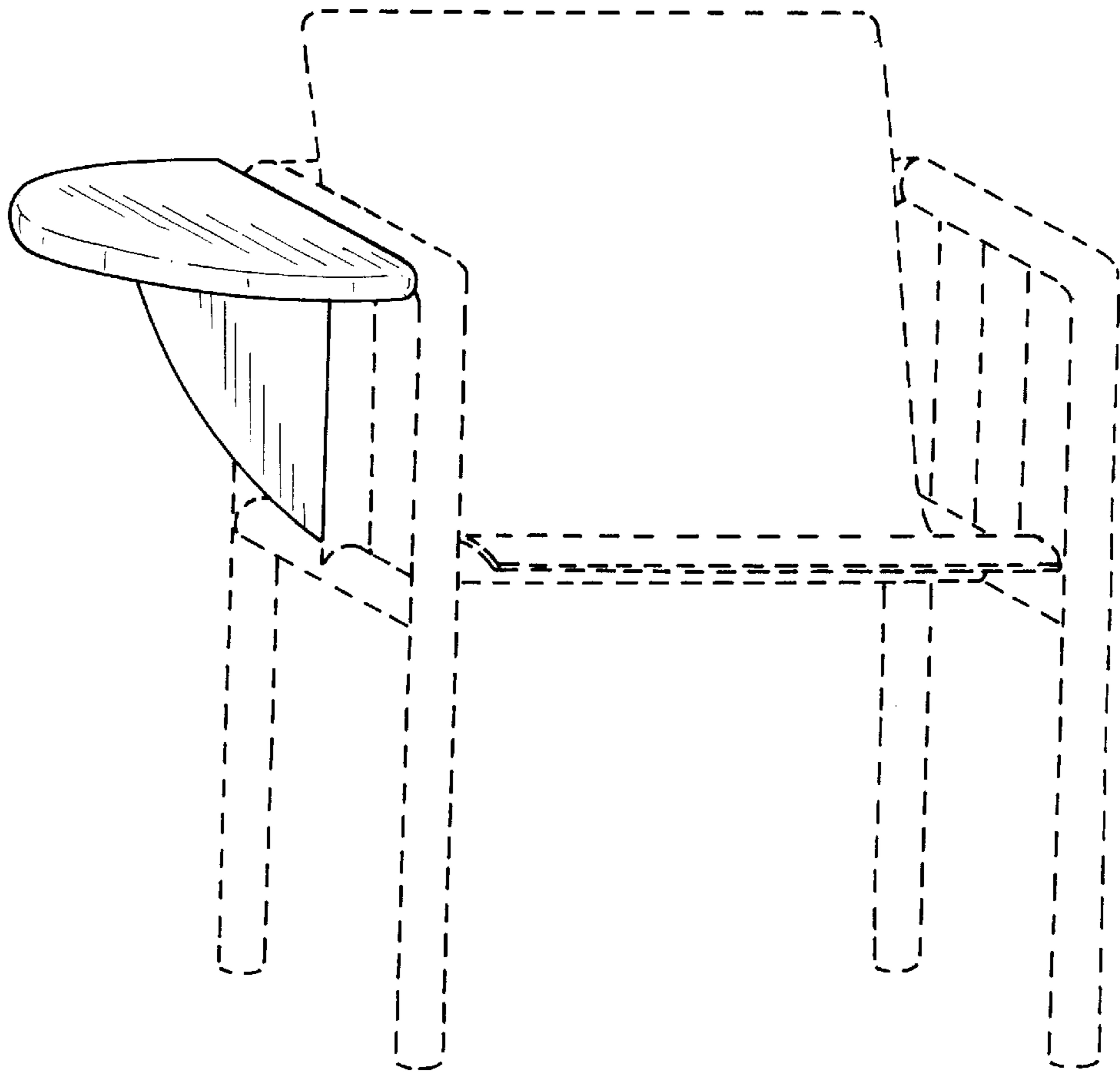


FIG. 2

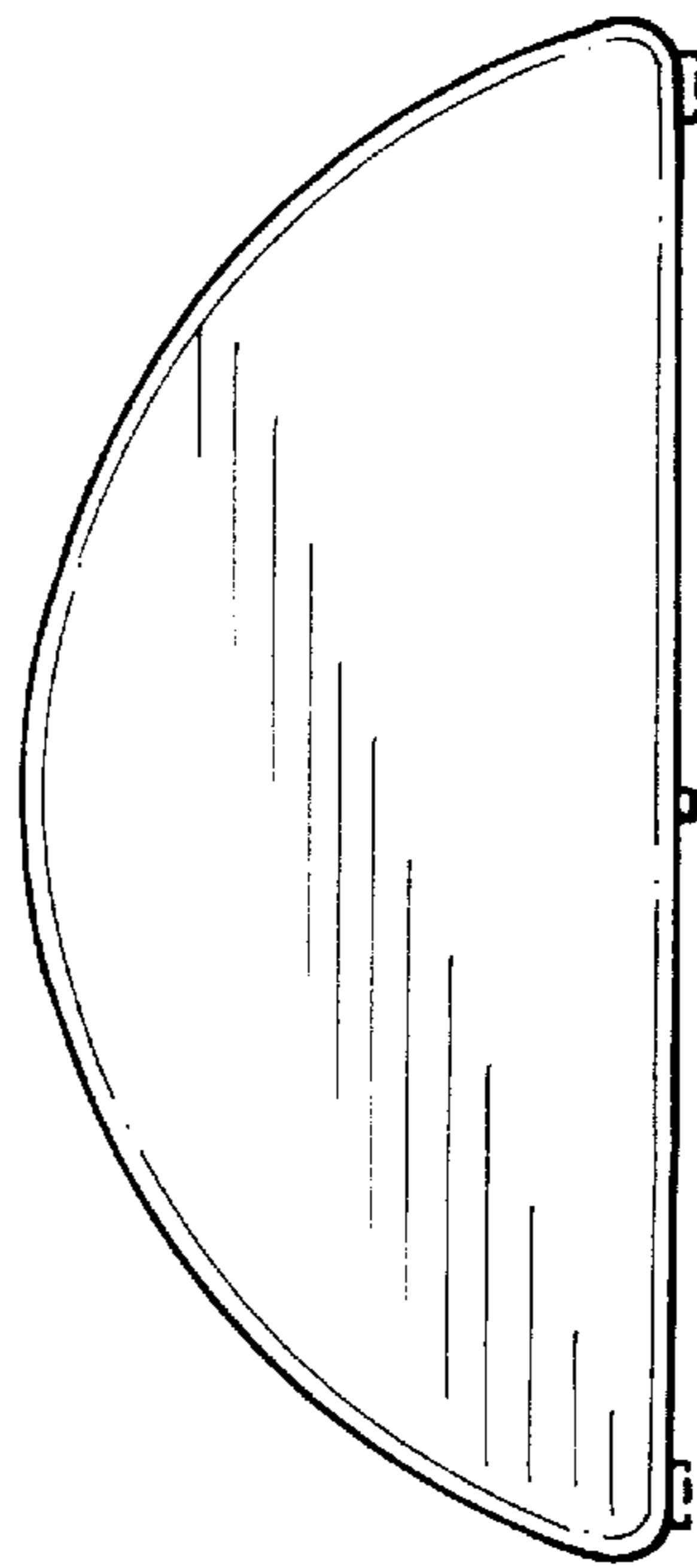


FIG. 3

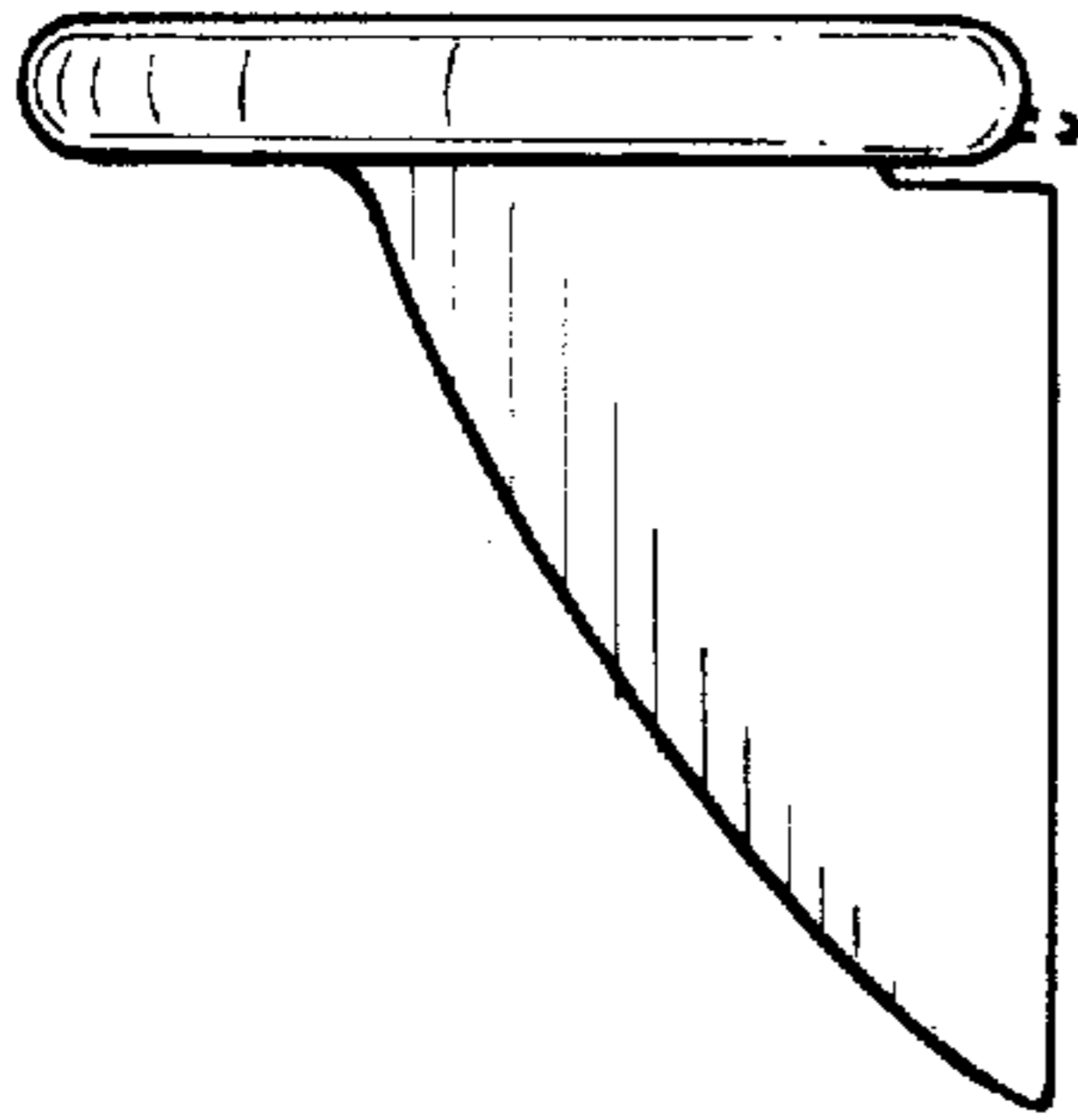


FIG. 4

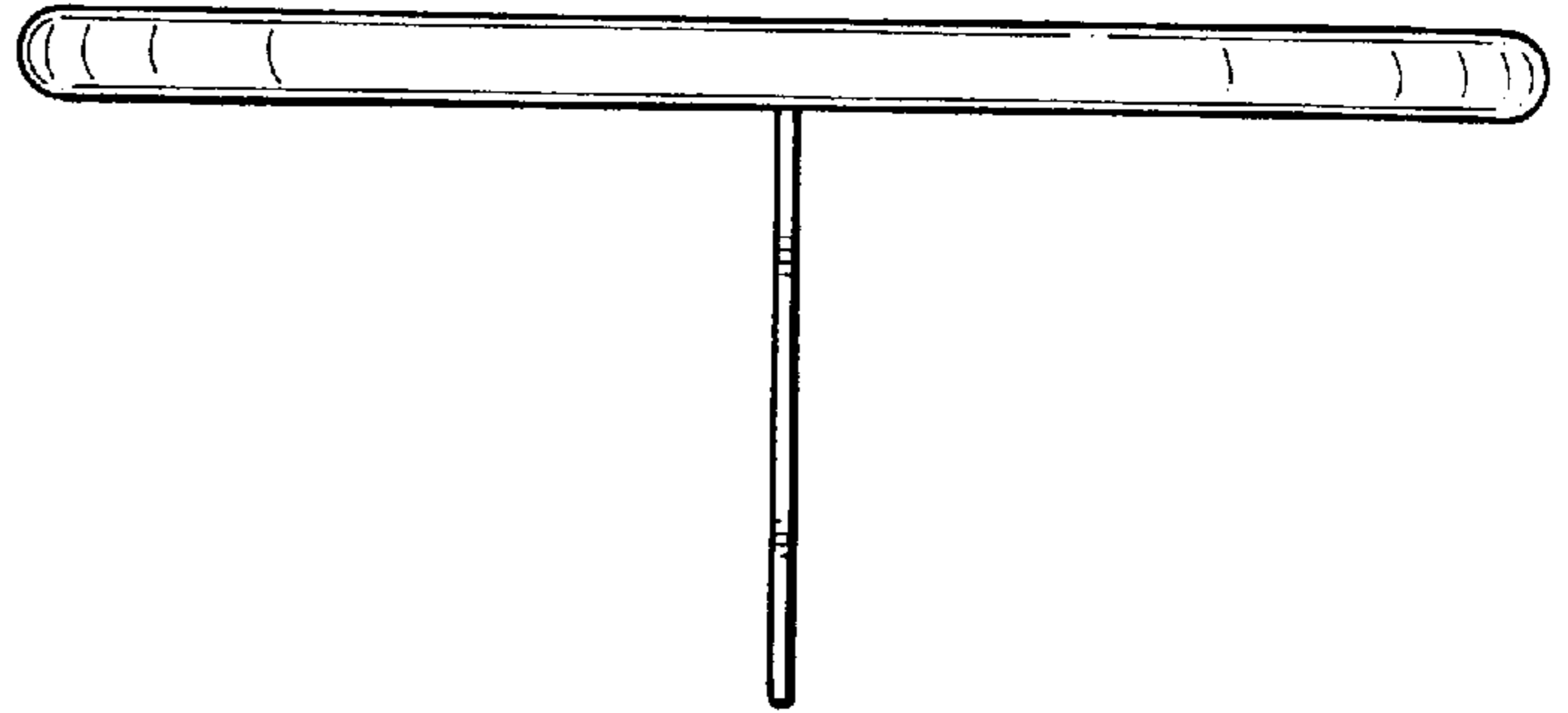


FIG. 6

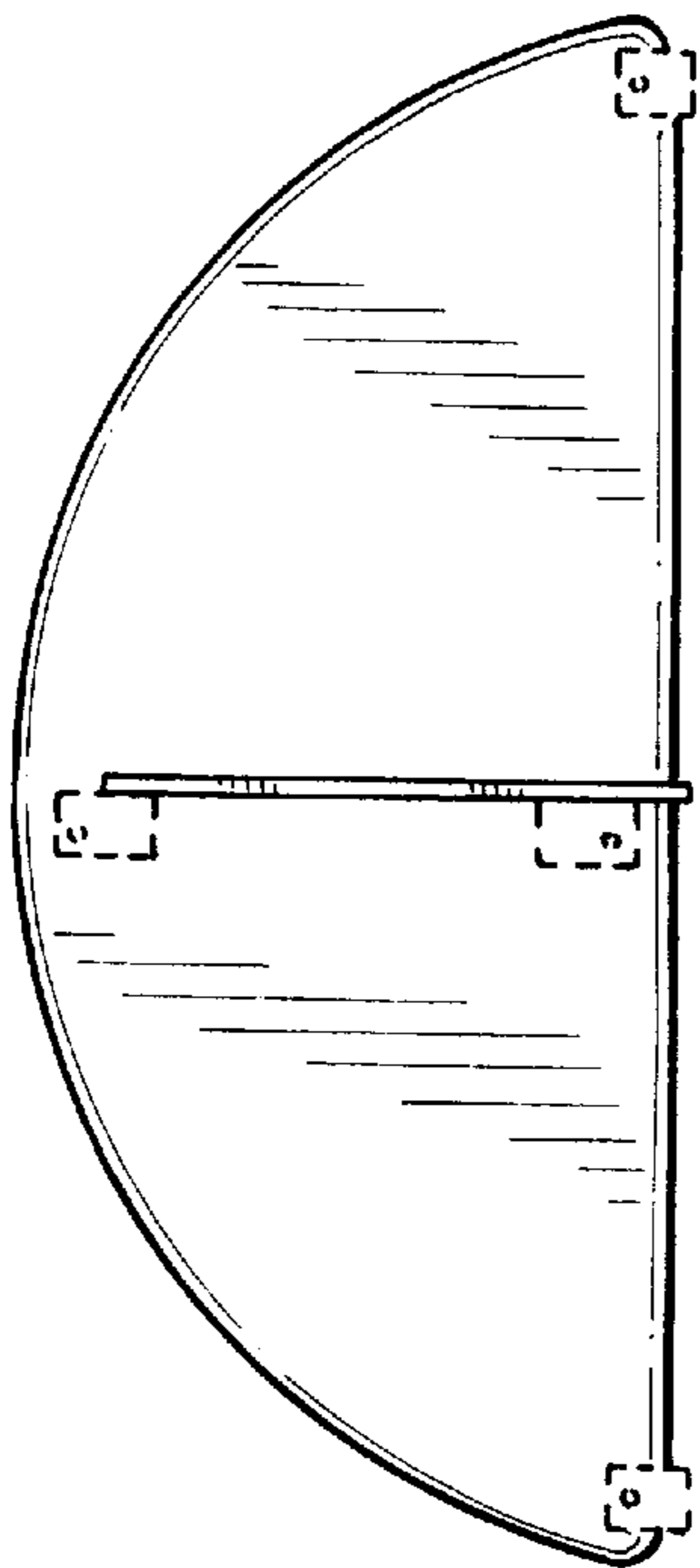


FIG. 5

