



US00D436268S

(12) **United States Design Patent**  
**Ko**

(10) **Patent No.:** **US D436,268 S**

(45) **Date of Patent:** **\*\* Jan. 16, 2001**

(54) **COMPUTER DESK**

D. 424,828 \* 5/2000 Ko ..... D6/429

(76) Inventor: **Wen-Shan Ko**, No. 1, Alley 1, Lane  
150, Sec. 1, Kung Yuan Rd., Changhua  
(TW)

\* cited by examiner

*Primary Examiner*—Janice E. Seeger

(74) *Attorney, Agent, or Firm*—Browdy and Neimark

(\*\*) Term: **14 Years**

(57) **CLAIM**

(21) Appl. No.: **29/121,580**

The ornamental design for a “computer desk”, as shown and described.

(22) Filed: **Apr. 10, 2000**

**DESCRIPTION**

(51) **LOC (7) Cl.** ..... **06-03**

(52) **U.S. Cl.** ..... **D6/484; D6/426**

(58) **Field of Search** ..... D6/422, 423, 426–428,  
D6/429, 480, 482–485, 511; 108/59, 50.01,  
50.02, 92; 312/194–196, 208.1

FIG. 1 shows a perspective view of the present design.  
FIG. 2 shows a right elevational view of the present design.  
FIG. 3 shows a top plan view of the present design.  
FIG. 4 shows a front elevational view of the present design.  
FIG. 5 shows a bottom plan view of the present design.  
FIG. 6 shows a left elevational view of the present design;  
and,  
FIG. 7 shows a rear elevational view of the present design.

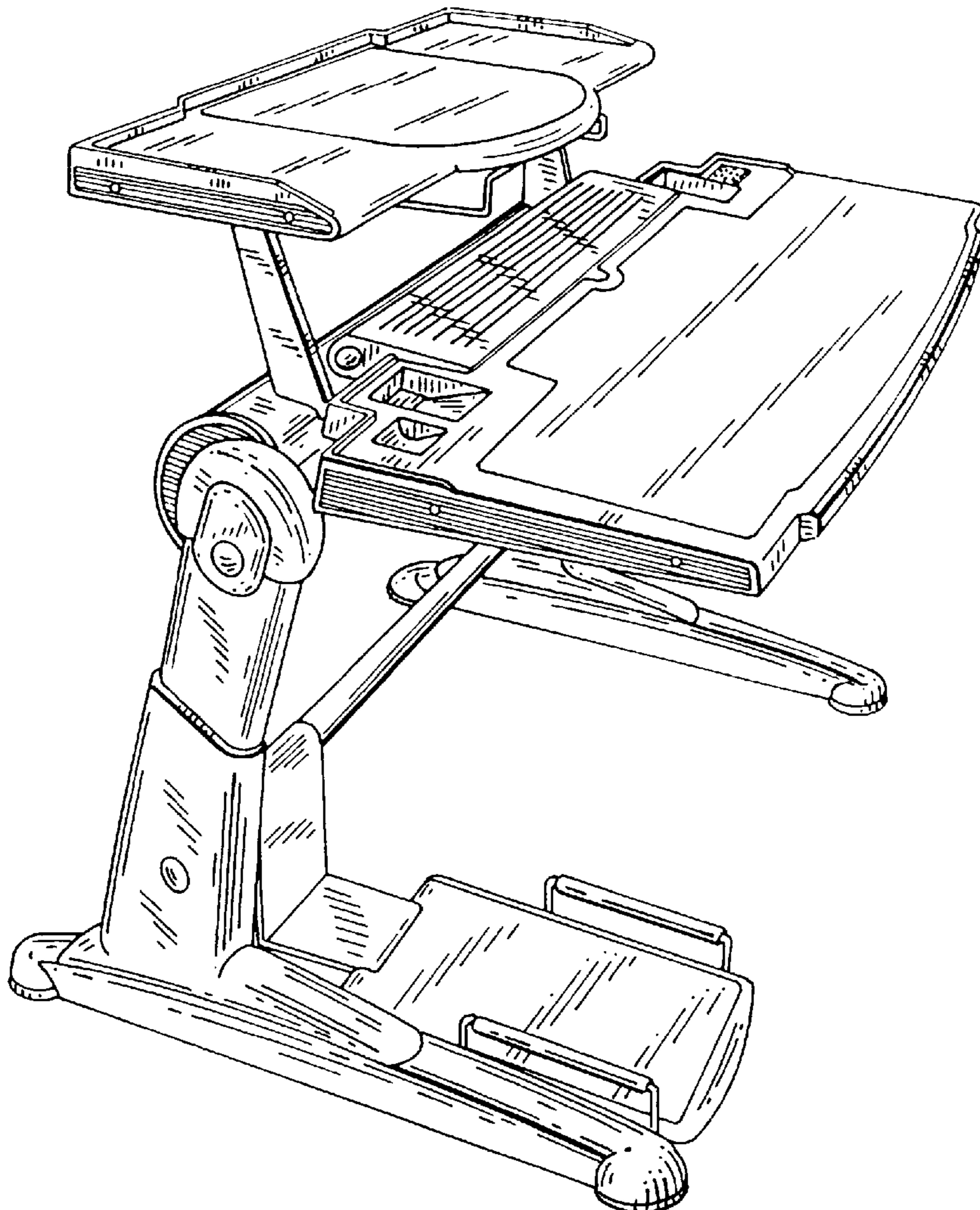
(56) **References Cited**

**U.S. PATENT DOCUMENTS**

D. 414,350 \* 9/1999 Fear et al. .... D6/426

D. 424,827 \* 5/2000 Ko ..... D6/429

**1 Claim, 4 Drawing Sheets**



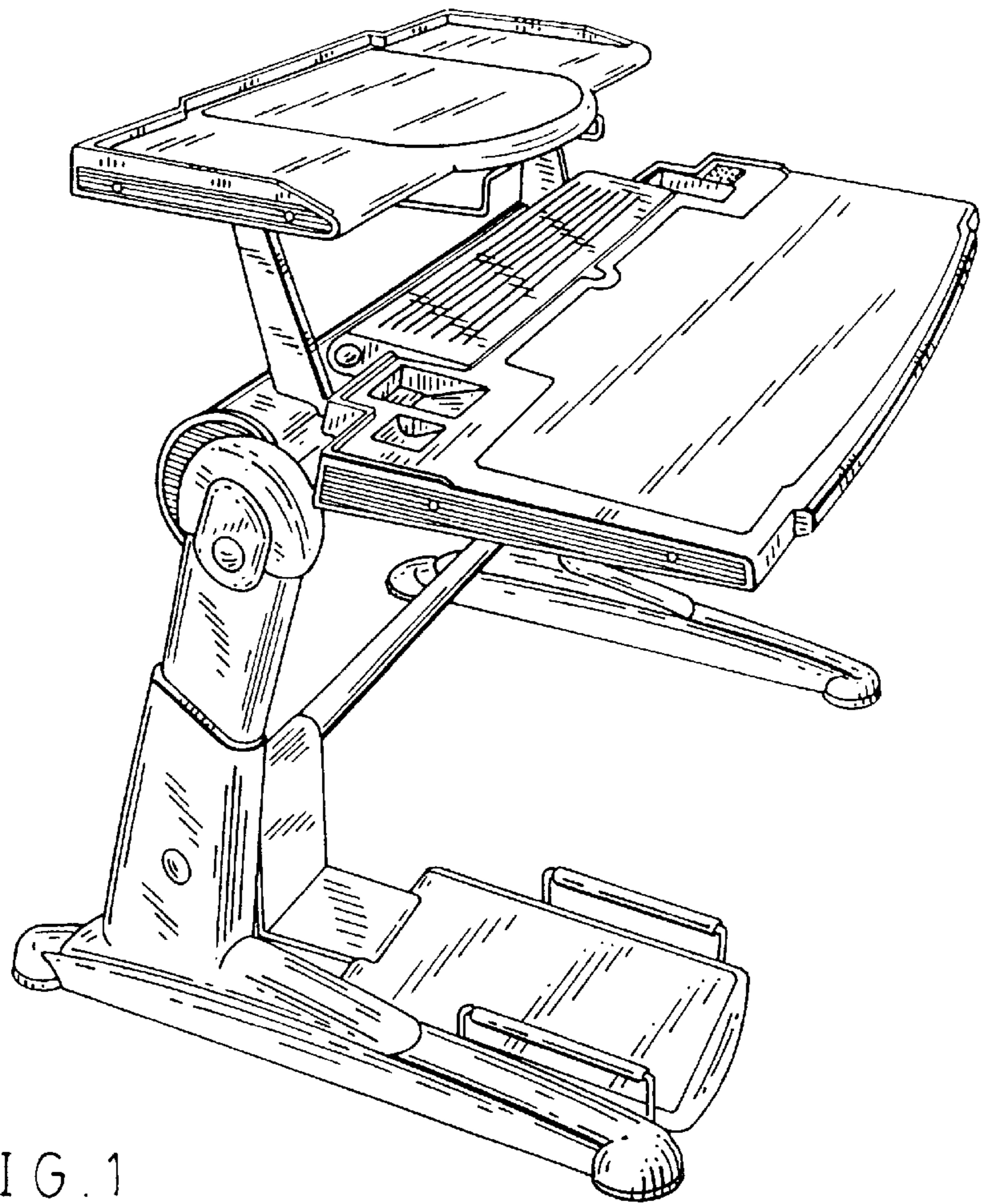


FIG. 1

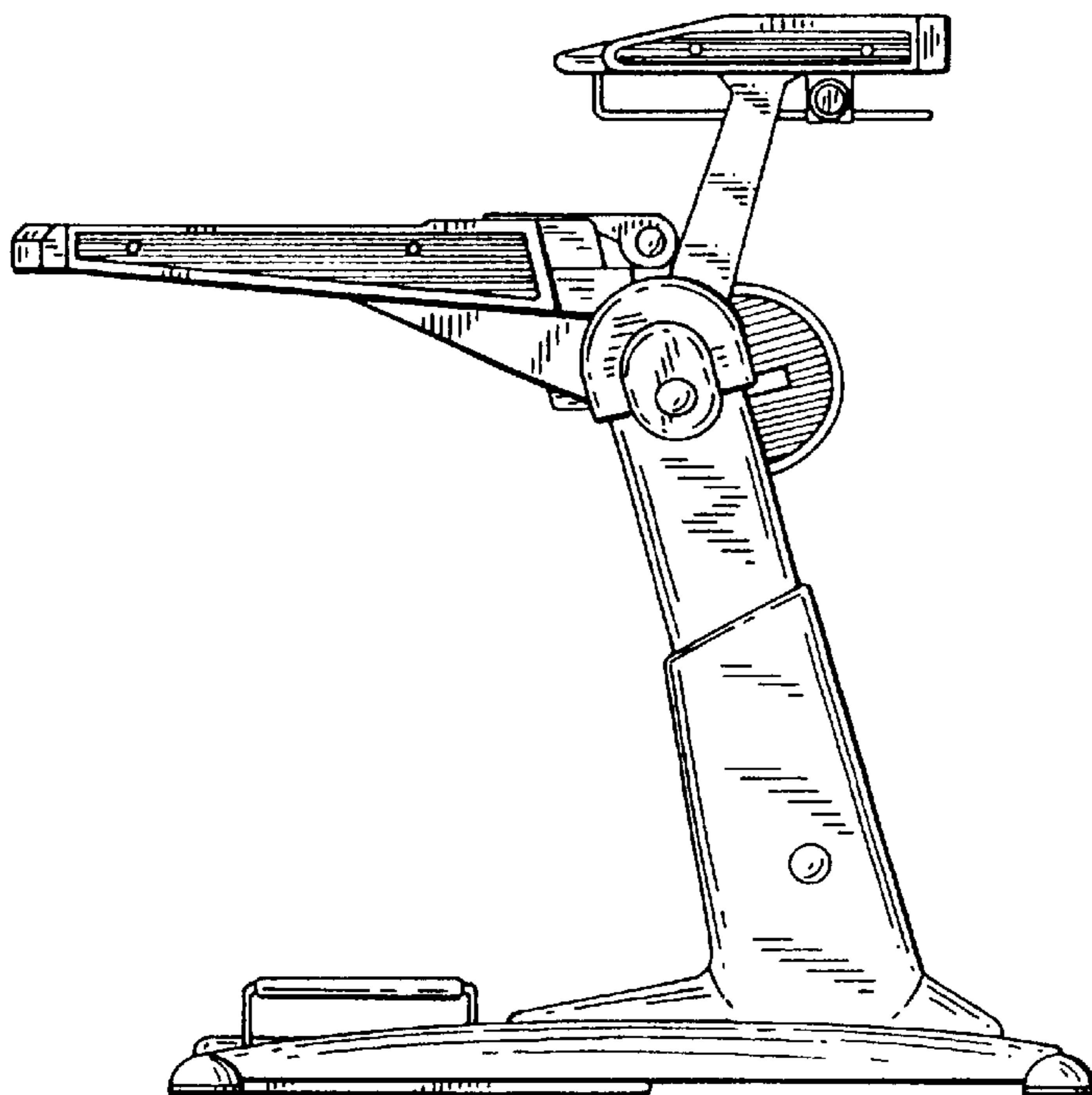


FIG. 2

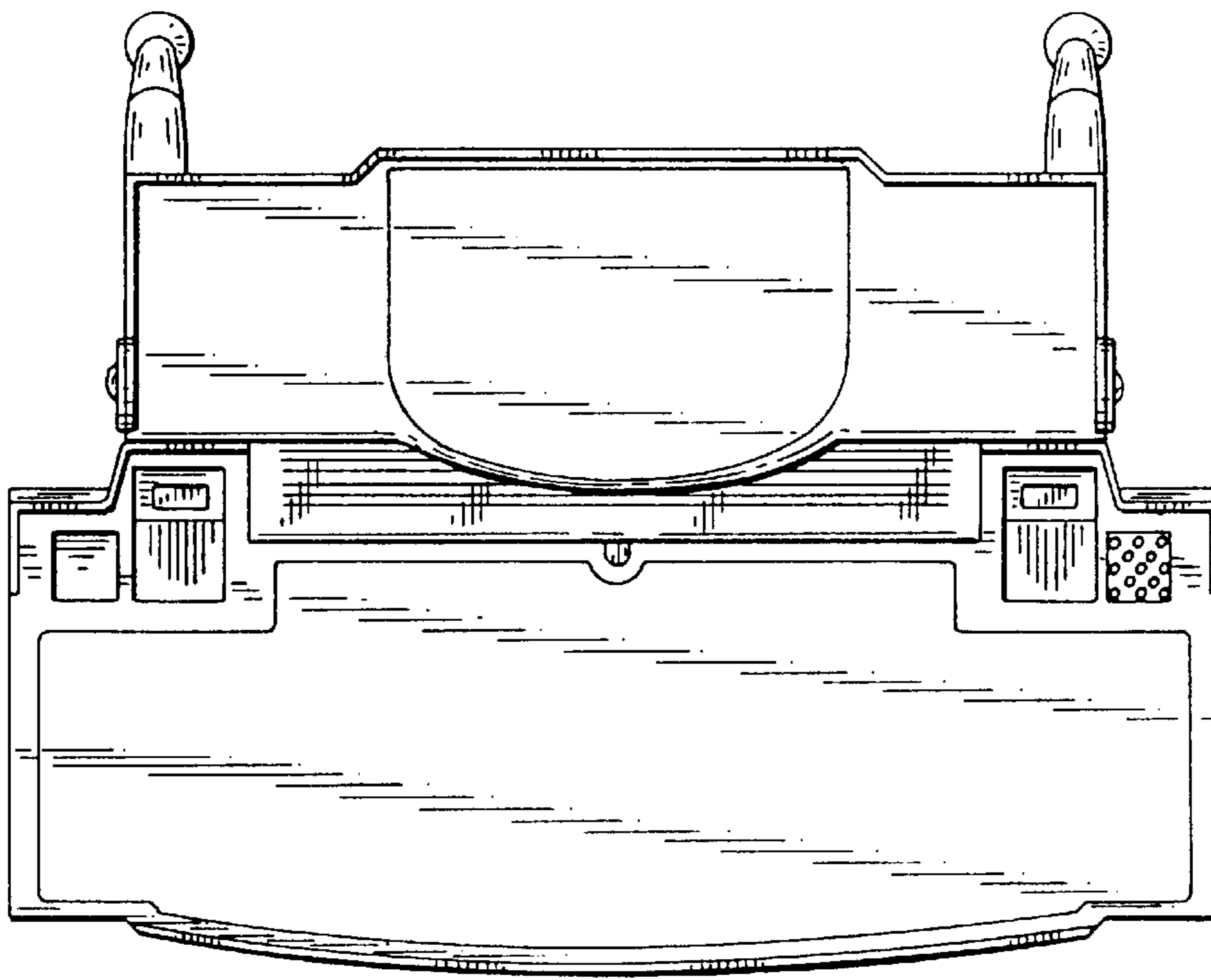


FIG. 3

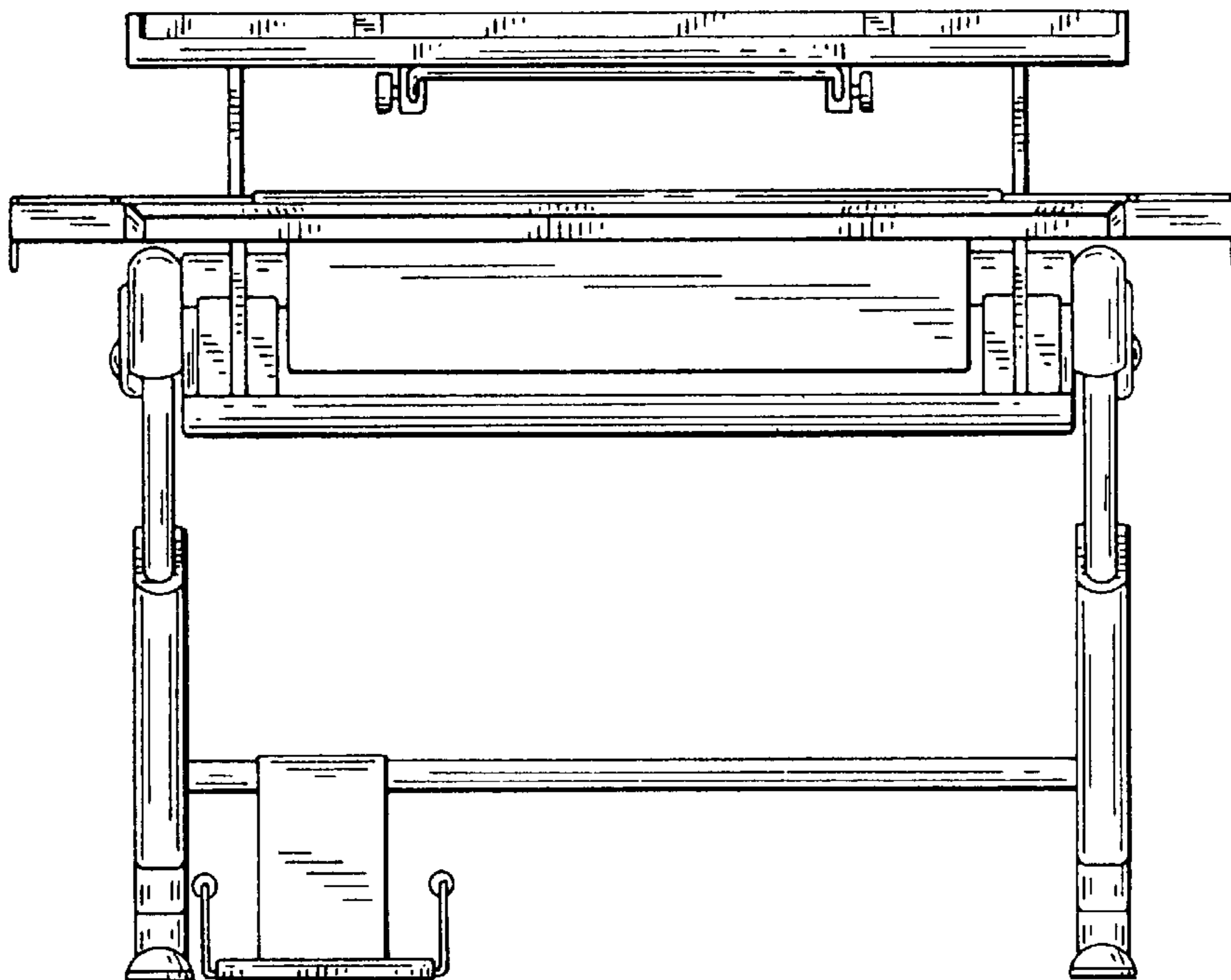


FIG. 4



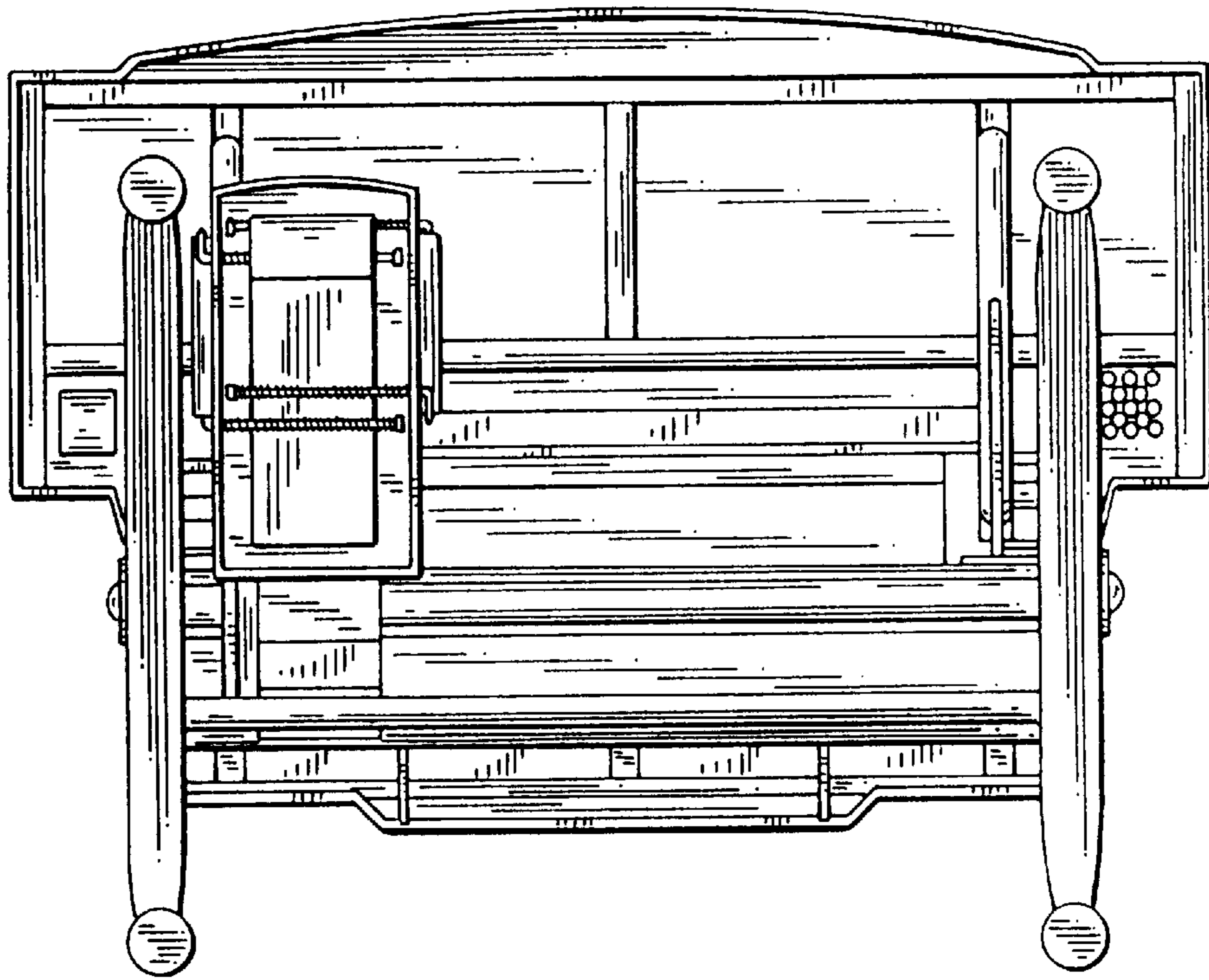


FIG. 5

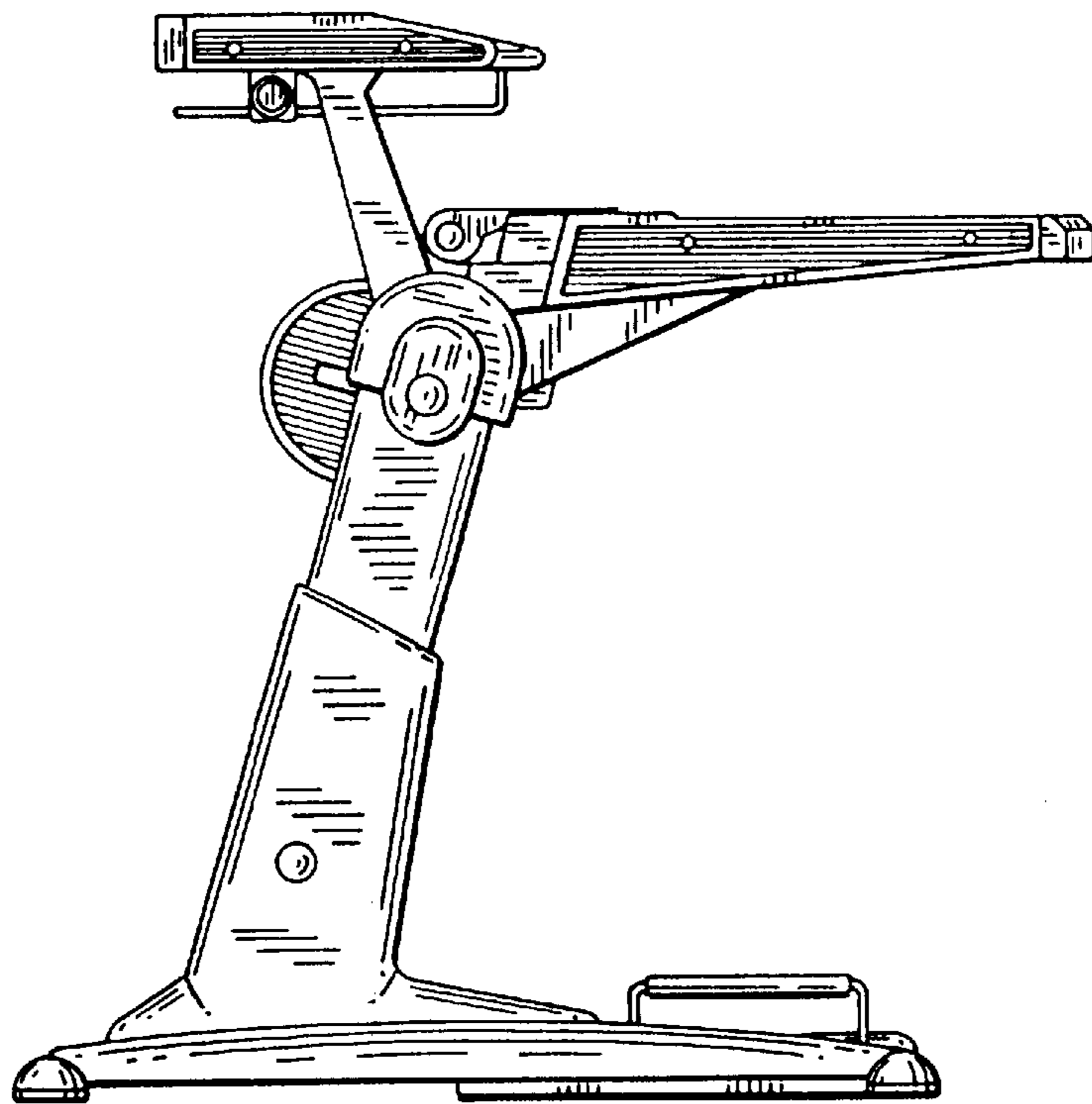


FIG. 6

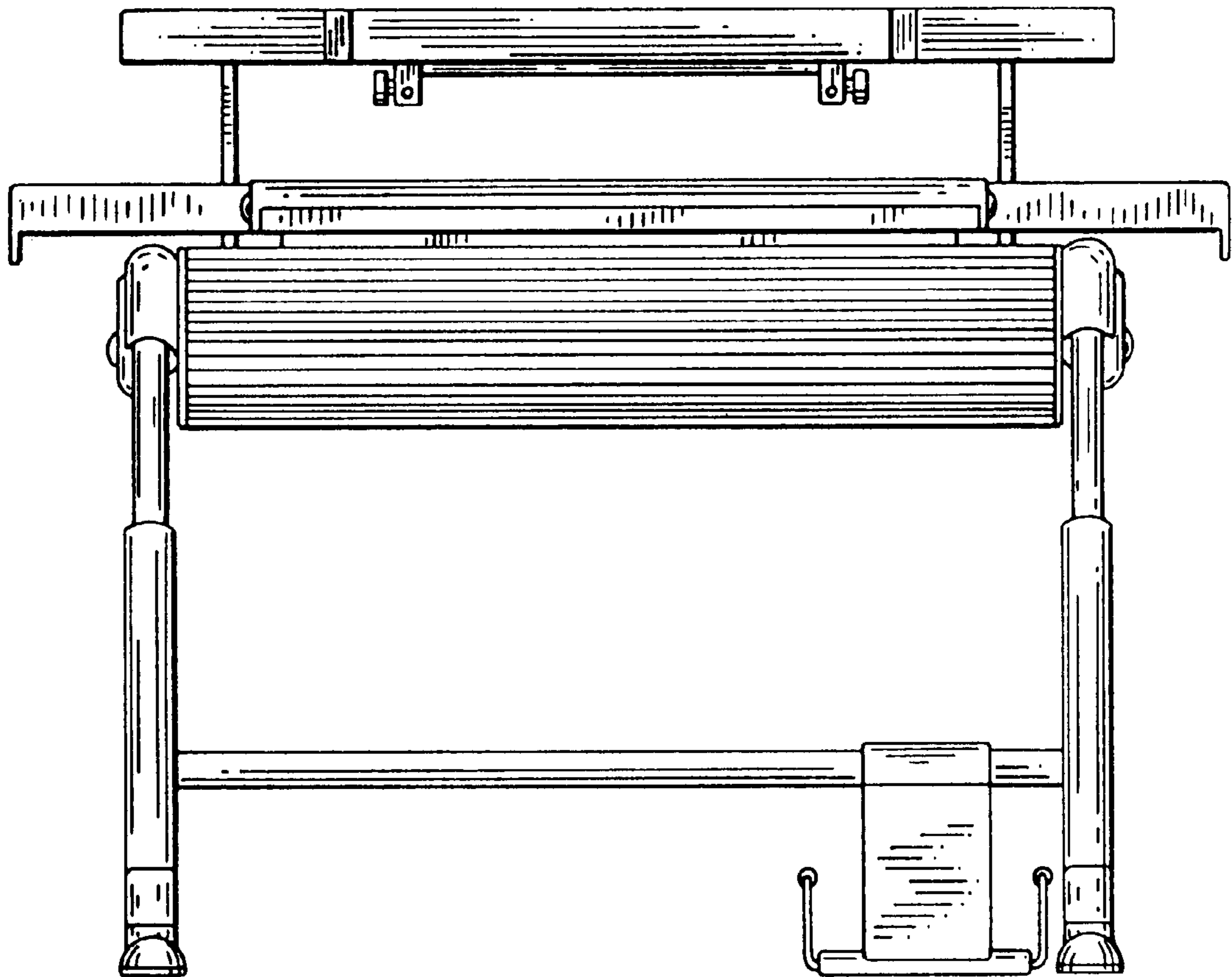


FIG. 7