



US00D436267S

(12) **United States Design Patent**
Beunen

(10) **Patent No.:** **US D436,267 S**

(45) **Date of Patent:** **** Jan. 16, 2001**

(54) **COMPUTER TABLE**

(75) Inventor: **Theo Beunen**, Amsterdam (NL)

(73) Assignee: **Lourens Fisher B.V.** (NL)

(**) Term: **14 Years**

(21) Appl. No.: **29/113,936**

(22) Filed: **Nov. 15, 1999**

(51) **LOC (7) Cl.** **06-03**

(52) **U.S. Cl.** **D6/483; D6/487**

(58) **Field of Search** D6/422, 423, 426-428,
D6/480, 482, 483, 484, 485; 312/194, 196,
208.1; 108/59, 50, 50.02, 92, 66, 65, 185,
189

(56) **References Cited**

U.S. PATENT DOCUMENTS

- D. 346,912 * 5/1994 Mezger D6/423
- D. 352,194 * 11/1994 Hosoe D6/482

- D. 371,699 * 7/1996 Muller-Deisig et al. D6/482
- D. 428,557 * 7/2000 Chang D6/422

* cited by examiner

Primary Examiner—Janice E. Seeger

(74) *Attorney, Agent, or Firm*—Fish & Neave; Jeffrey H. Ingerman; Edward M. Arons

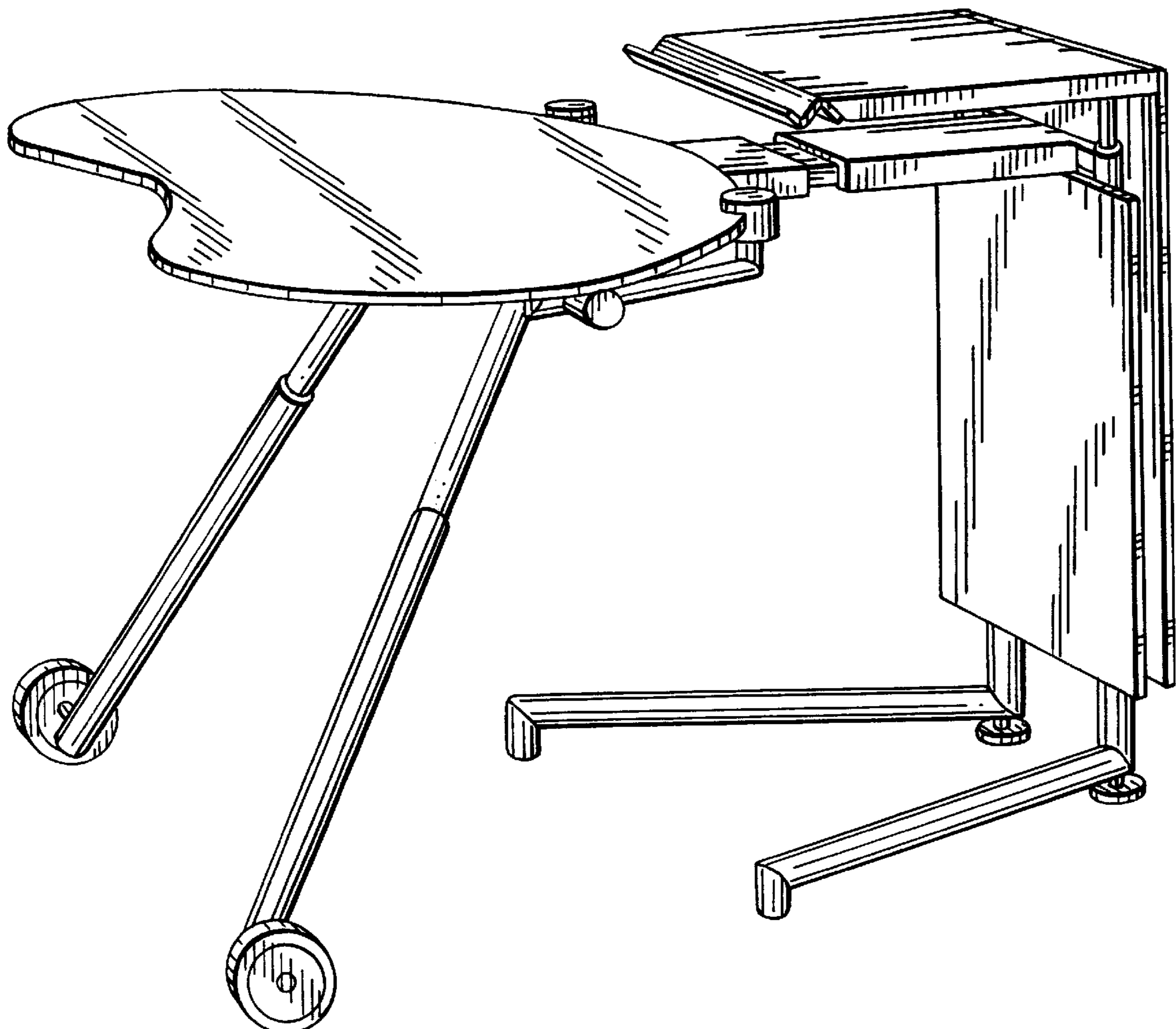
(57) **CLAIM**

The ornamental design for a computer table, as shown and described.

DESCRIPTION

FIG. 1 is a top, front, right perspective view of a computer table showing my new design;
 FIG. 2 is a top plan view thereof;
 FIG. 3 is a right side elevational view thereof;
 FIG. 4 is a left side elevational view thereof;
 FIG. 5 is a front elevational view thereof;
 FIG. 6 is a rear elevational view thereof; and,
 FIG. 7 is a bottom plan view thereof.

1 Claim, 7 Drawing Sheets



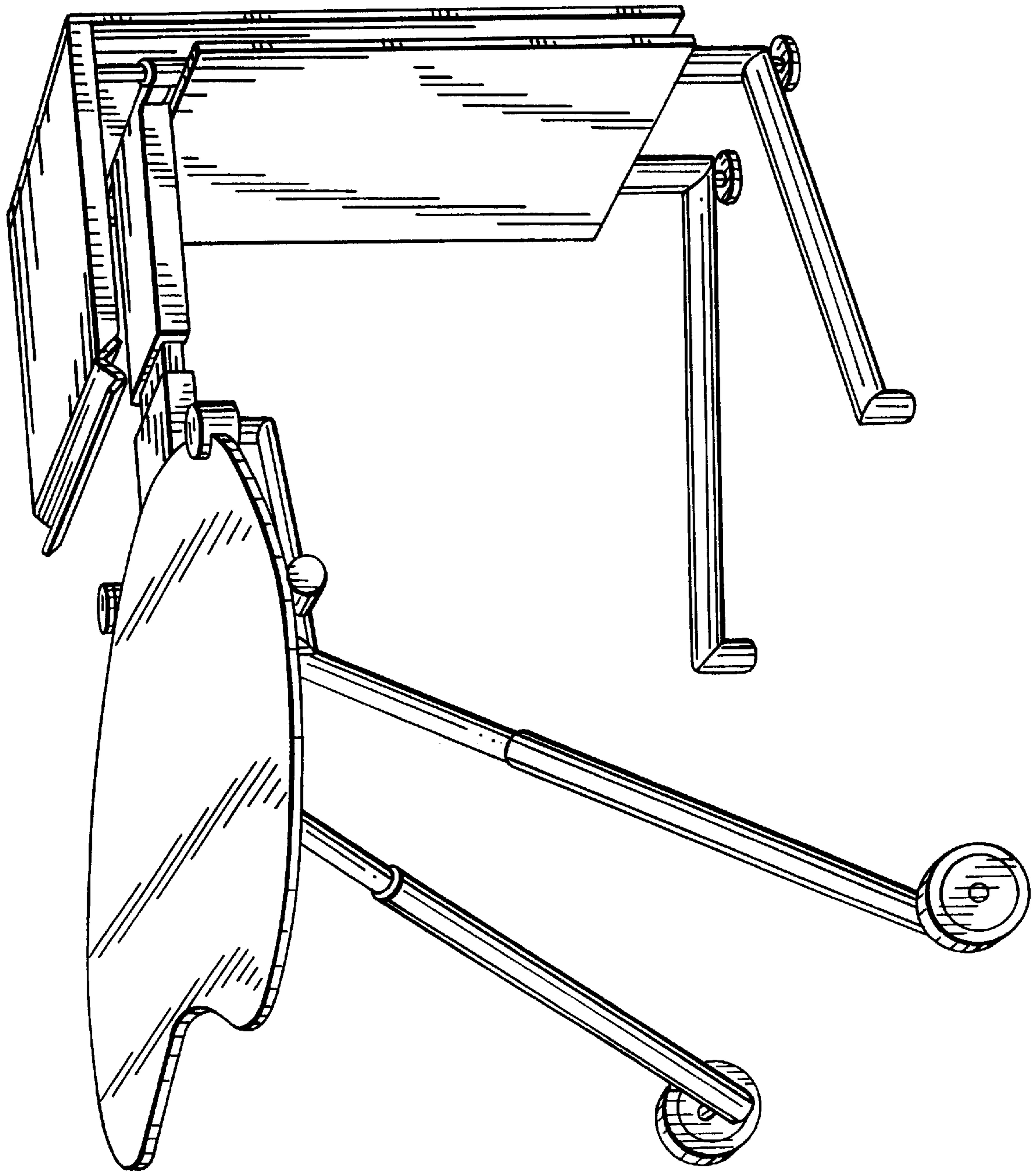


FIG. 1

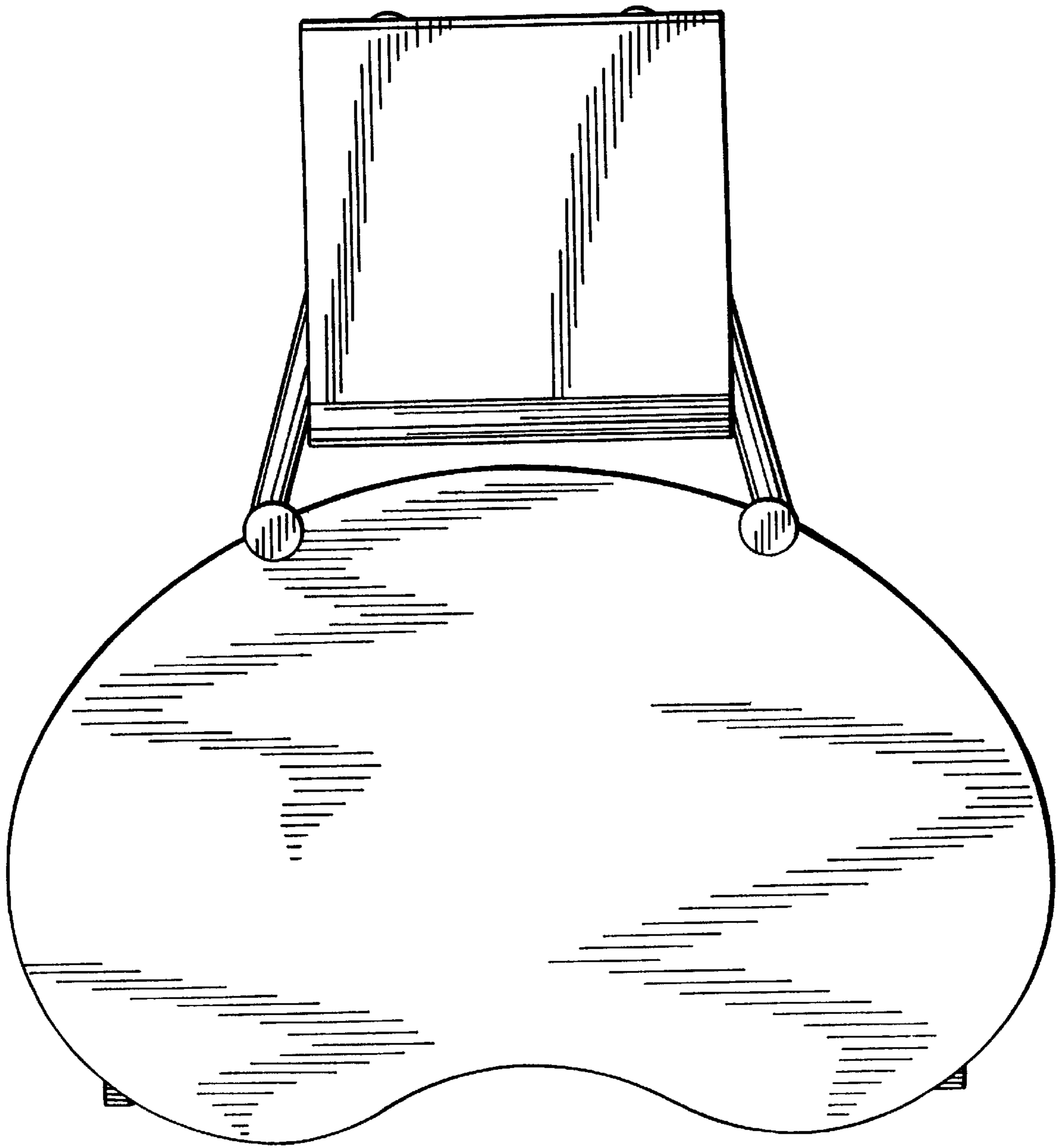


FIG. 2

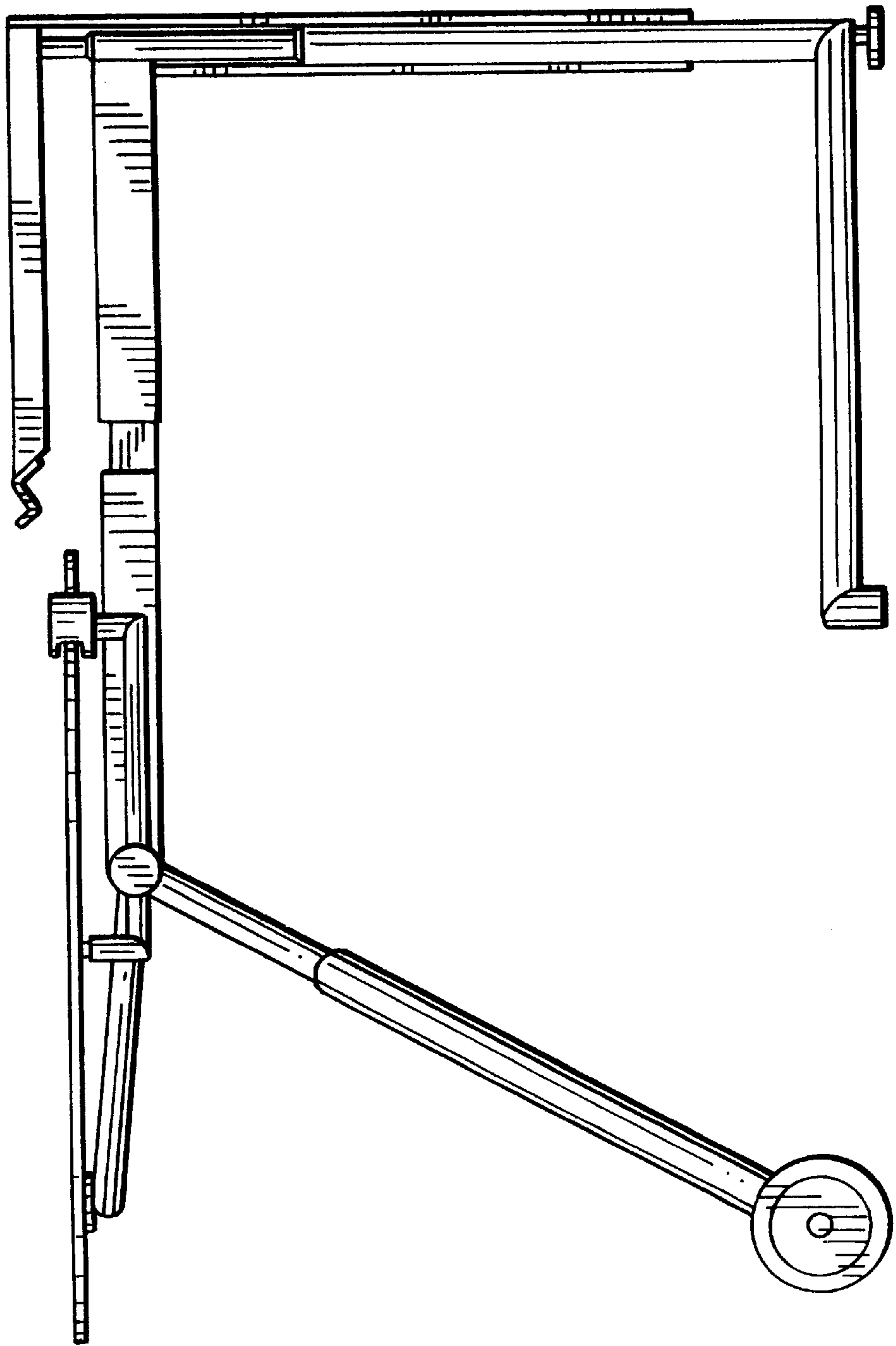
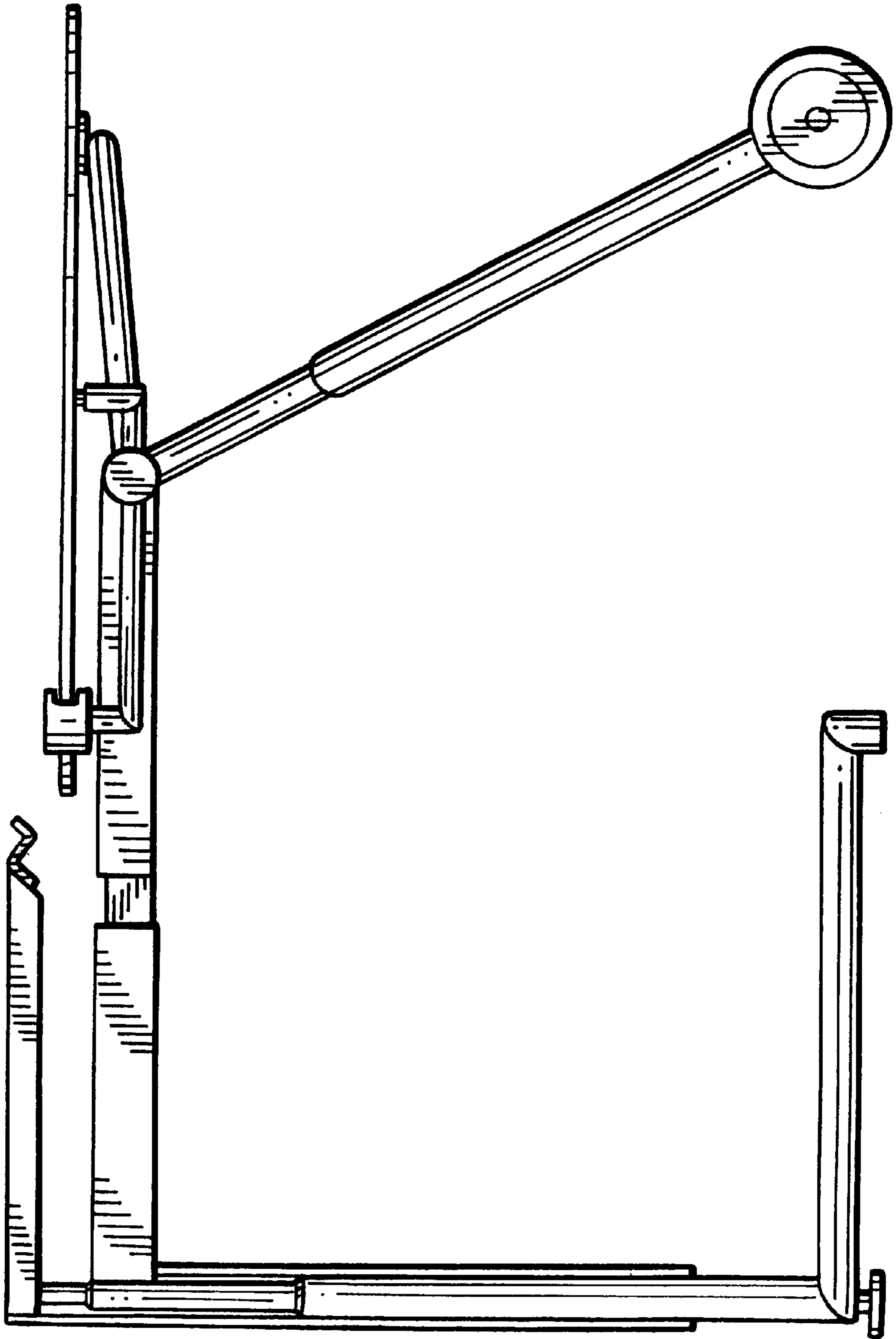


FIG. 3

FIG. 4



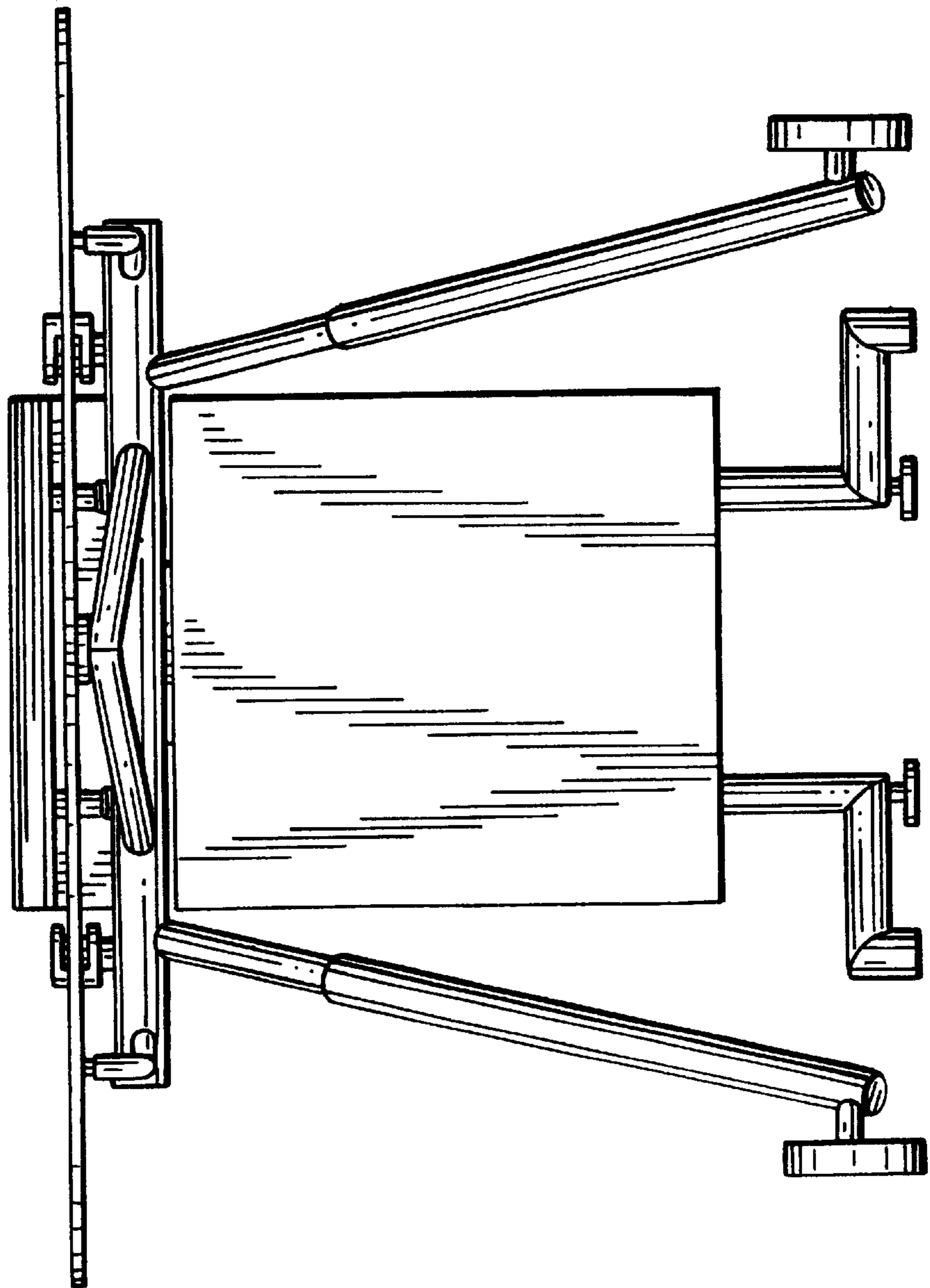


FIG. 5

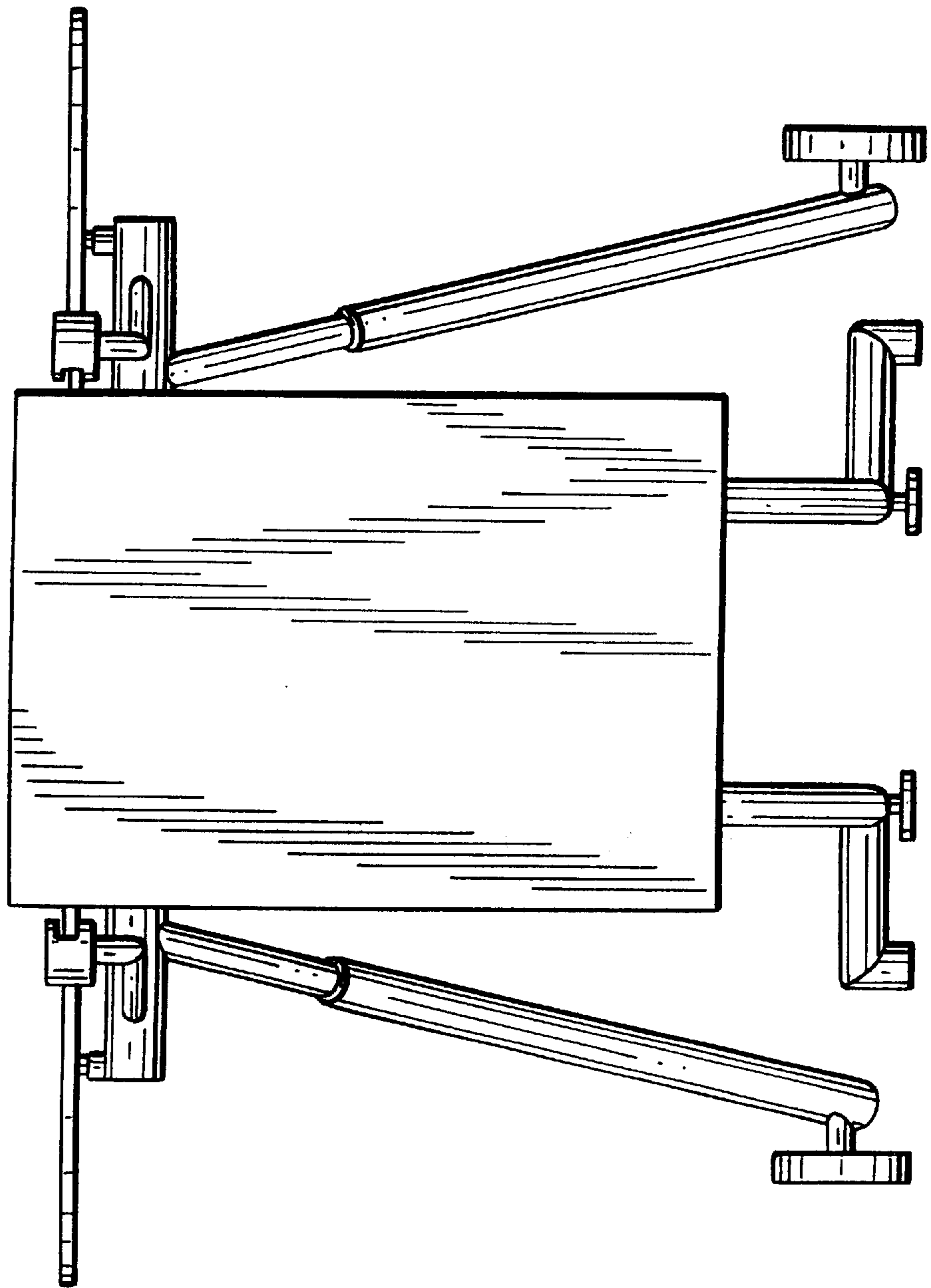


FIG. 6

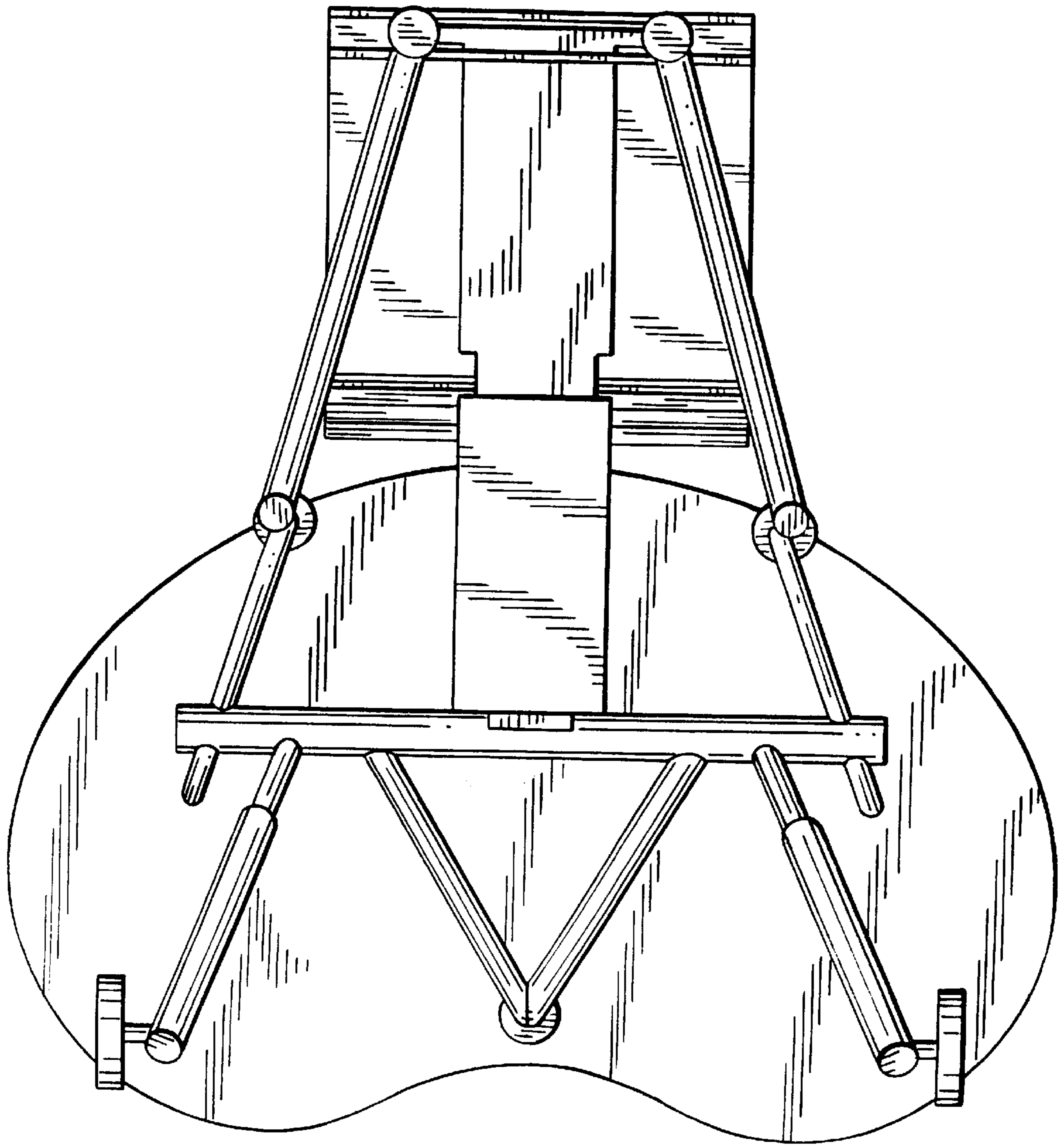


FIG. 7