



US00D436260S

(12) **United States Design Patent**
Nagamitsu

(10) **Patent No.:** **US D436,260 S**

(45) **Date of Patent:** **** Jan. 16, 2001**

(54) **CHAIR**

(75) Inventor: **Satoshi Nagamitsu**, Higashiyamoto (JP)

(73) Assignee: **Okamura Corporation**, Kanagawa-Ken (JP)

(**) Term: **14 Years**

(21) Appl. No.: **29/122,837**

(22) Filed: **May 4, 2000**

(30) **Foreign Application Priority Data**

Nov. 8, 1999 (JP) 11-30542

(51) **LOC (7) Cl.** **06-01**

(52) **U.S. Cl.** **D6/366**

(58) **Field of Search** D6/334, 364, 365,
D6/366, 367, 379, 500-502, 601; 297/300.1,
300.4, 391, 393, 396, 411.2, 411.27, 411.36,
452.29

(56) **References Cited**

U.S. PATENT DOCUMENTS

- D. 337,666 * 7/1993 Peterson et al. D6/366
- D. 349,621 * 8/1994 Wilson D6/501
- D. 354,178 * 1/1995 Ochsner D6/366
- D. 355,303 * 2/1995 Scheoer et al. D6/366
- D. 358,944 * 6/1995 Citterio D6/366
- D. 367,980 * 3/1996 Hodge et al. D6/500
- D. 372,799 * 8/1996 Orians et al. D6/366
- D. 379,408 * 5/1997 Feldberg D6/366
- D. 379,567 * 6/1997 Grivet D6/500
- D. 395,762 * 7/1998 Saul D6/366
- D. 407,576 * 4/1999 Ritch et al. D6/500
- D. 408,181 * 4/1999 Ginat D6/500
- D. 411,063 * 6/1999 Ginat D6/366
- D. 414,349 * 9/1999 Jenkins et al. D6/366
- D. 417,101 * 11/1999 DeSanta et al. D6/366
- D. 417,102 * 11/1999 Vanderwood et al. D6/366
- D. 417,792 * 12/1999 Hansen et al. D6/366
- D. 418,316 * 1/2000 Vogtherr D6/366
- D. 421,861 * 3/2000 Ginat D6/500

- D. 422,802 * 4/2000 Deacon D6/366
- 5,405,190 * 4/1995 Jeffcoat et al. 297/391
- 5,452,939 * 9/1995 Kupisz et al. 297/391
- 5,934,755 * 8/1999 Halamish 297/391
- 6,074,010 * 6/2000 Takeda 297/391
- 6,086,153 * 7/2000 Heidmann et al. 297/300.1

OTHER PUBLICATIONS

Adjustable headrest, B, p. 7, Modern Office catalog, May, 1997.*

* cited by examiner

Primary Examiner—Doris V. Coles

Assistant Examiner—Mimosa De

(74) *Attorney, Agent, or Firm*—Henricks, Slavin & Holmes LLP

(57) **CLAIM**

The ornamental design for a chair, as shown.

DESCRIPTION

This application is related to concurrently filed design applications, Ser. Nos. 29/122,832, 29/122,826, and 29/122,827.

FIG. 1 is a front perspective view of a chair showing my new design;

FIG. 2 is a rear perspective view thereof;

FIG. 3 is a front elevational view thereof;

FIG. 4 is a top plan view thereof;

FIG. 5 is a rear elevational view thereof;

FIG. 6 is a bottom plan view thereof;

FIG. 7 is a right side elevational view thereof;

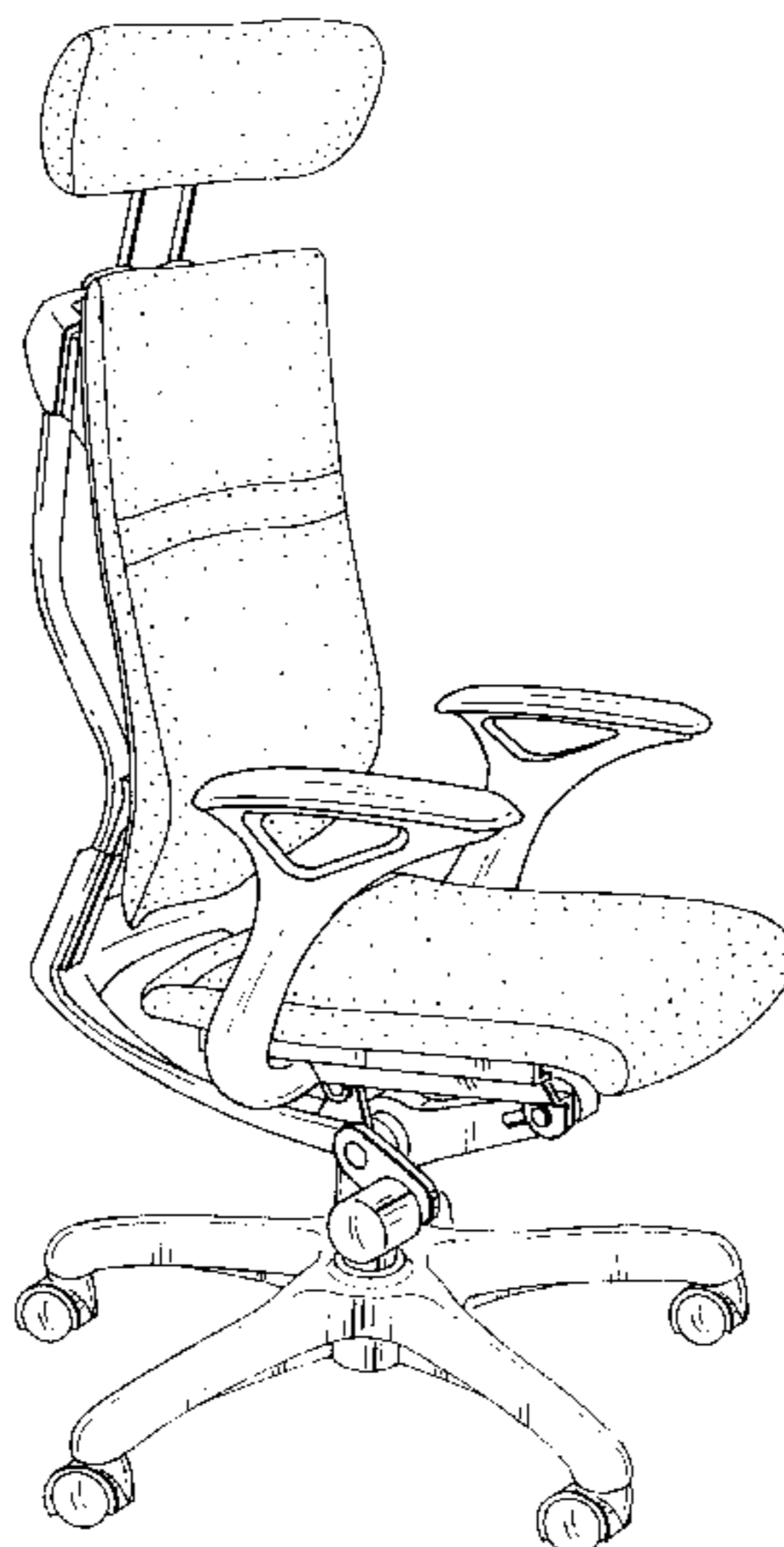
FIG. 8 is a left side elevational view thereof;

FIG. 9 is a vertical sectional front view taken along the line 9—9 in FIG. 4;

FIG. 10 is a horizontal sectional plan view taken along the line 10—10 in FIG. 3; and,

FIG. 11 is a vertical sectional right side view taken along the line 11—11 in FIG. 4 thereof.

1 Claim, 7 Drawing Sheets



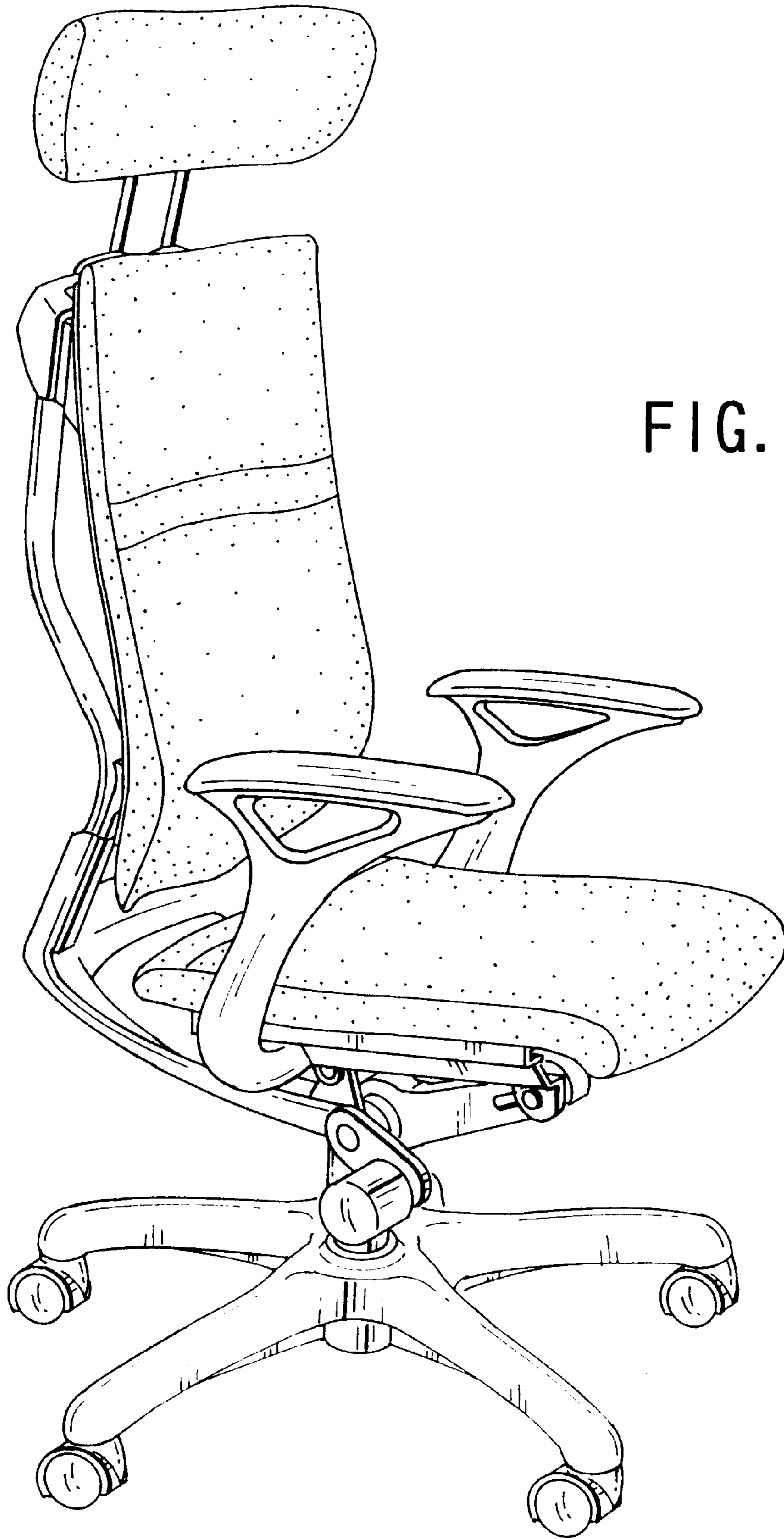


FIG. 1

FIG. 2

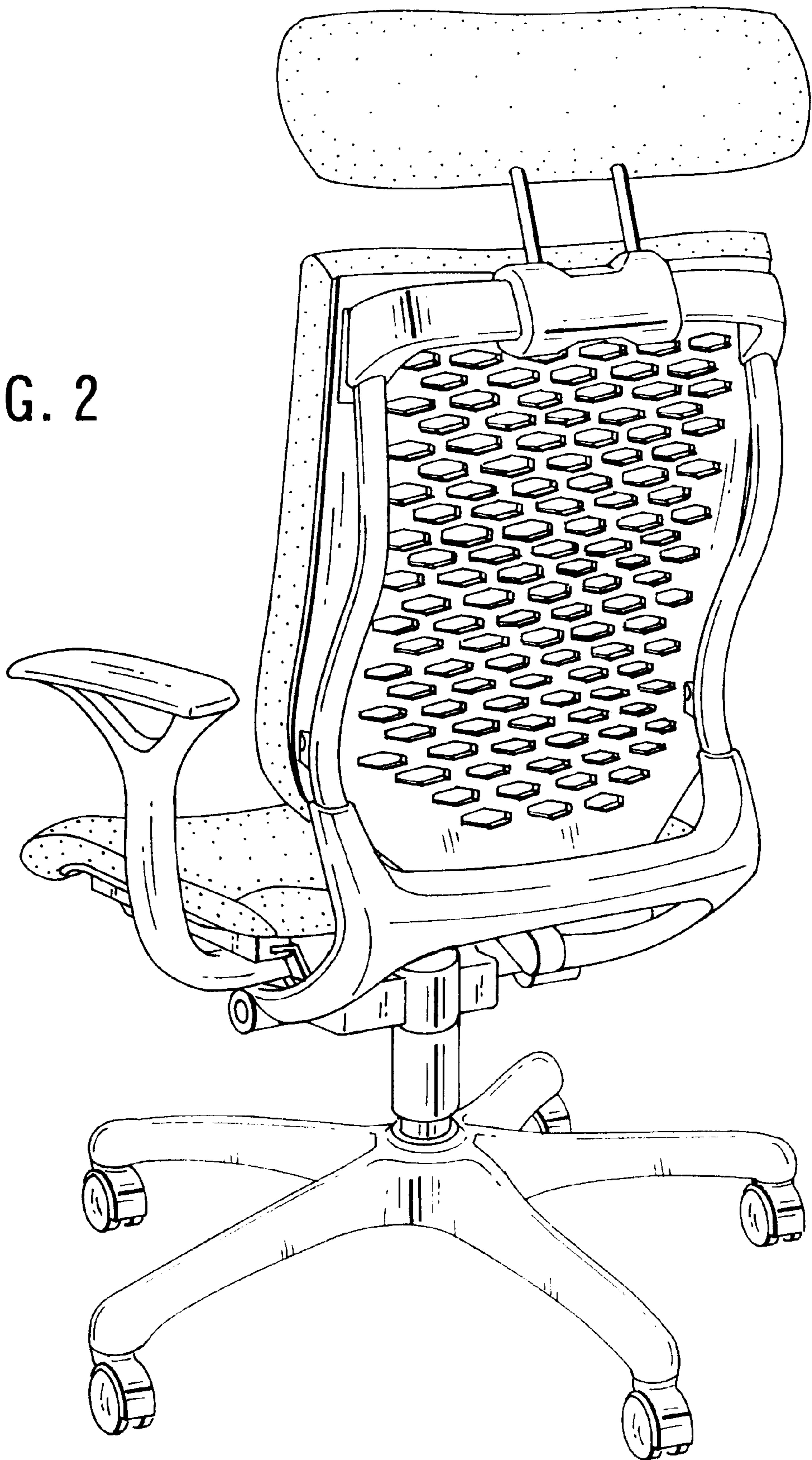


FIG. 3

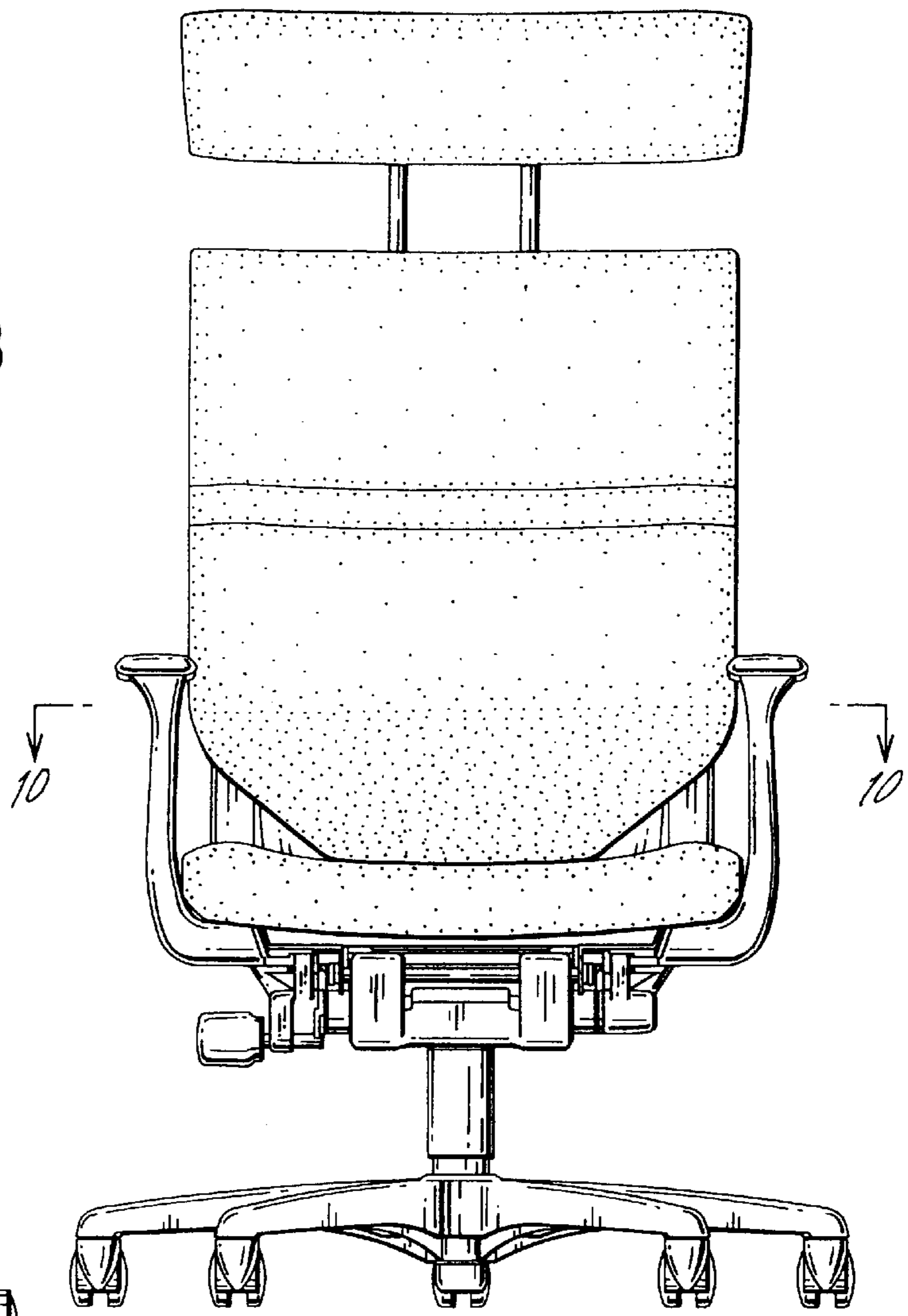
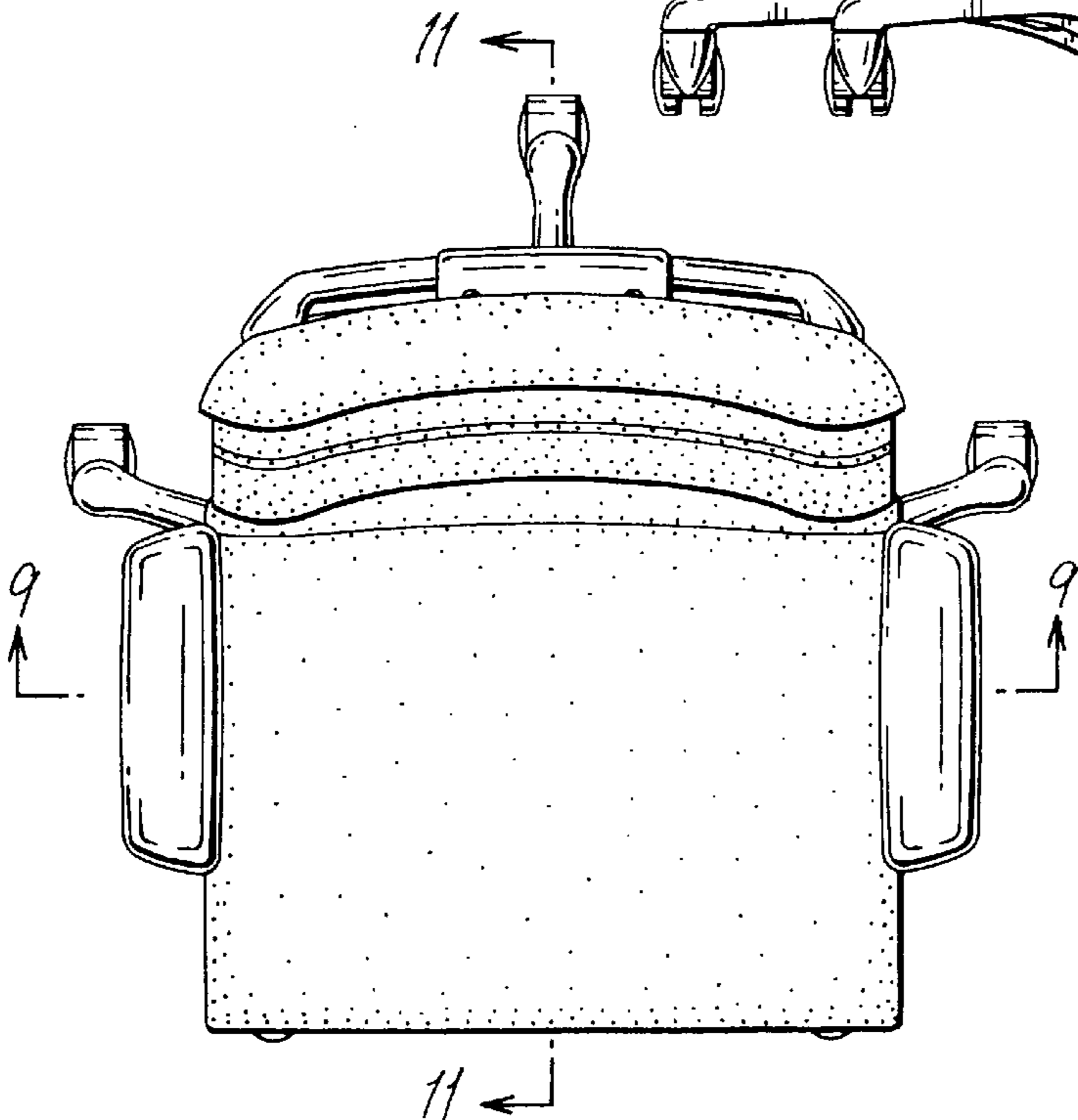


FIG. 4



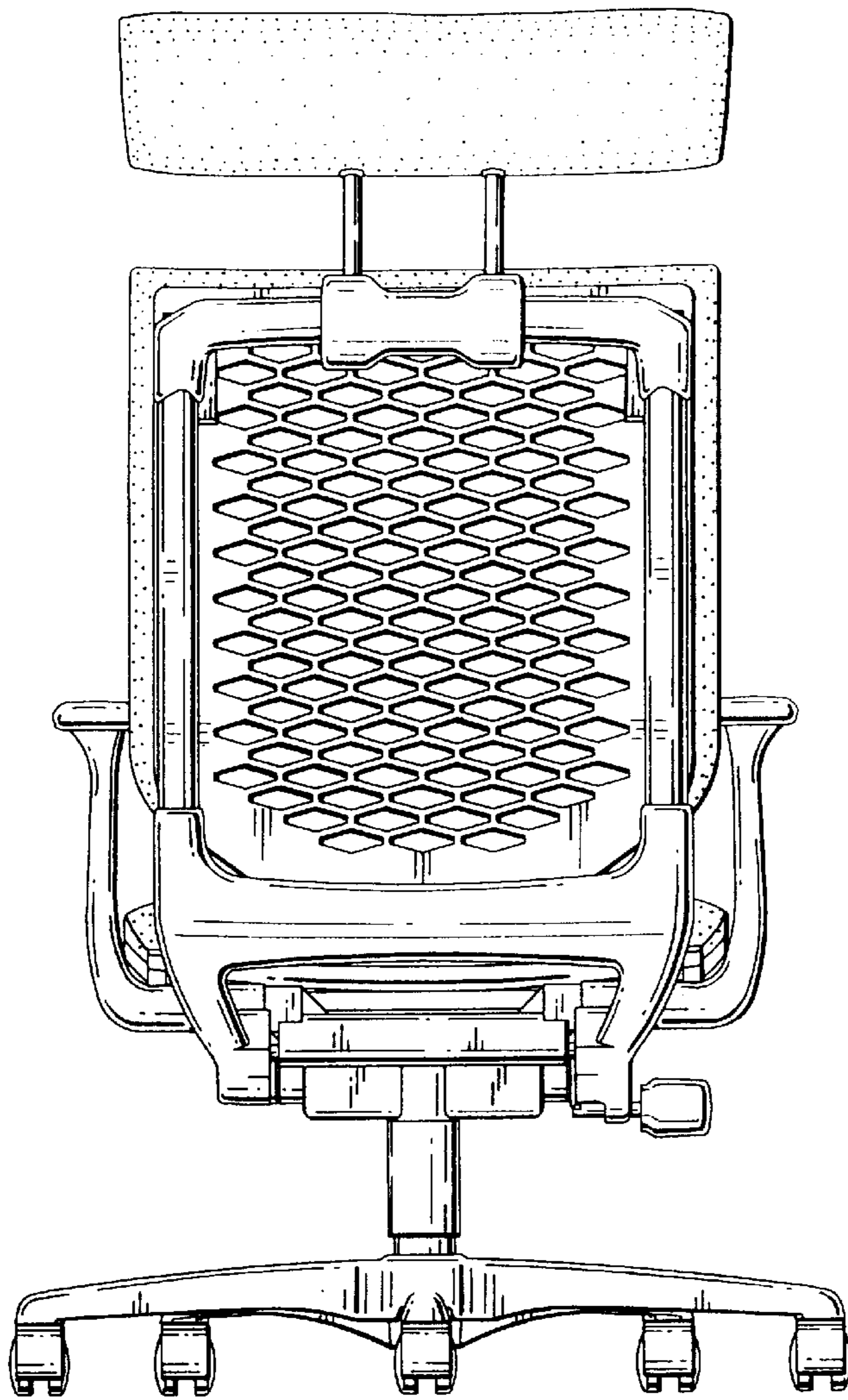


FIG. 5

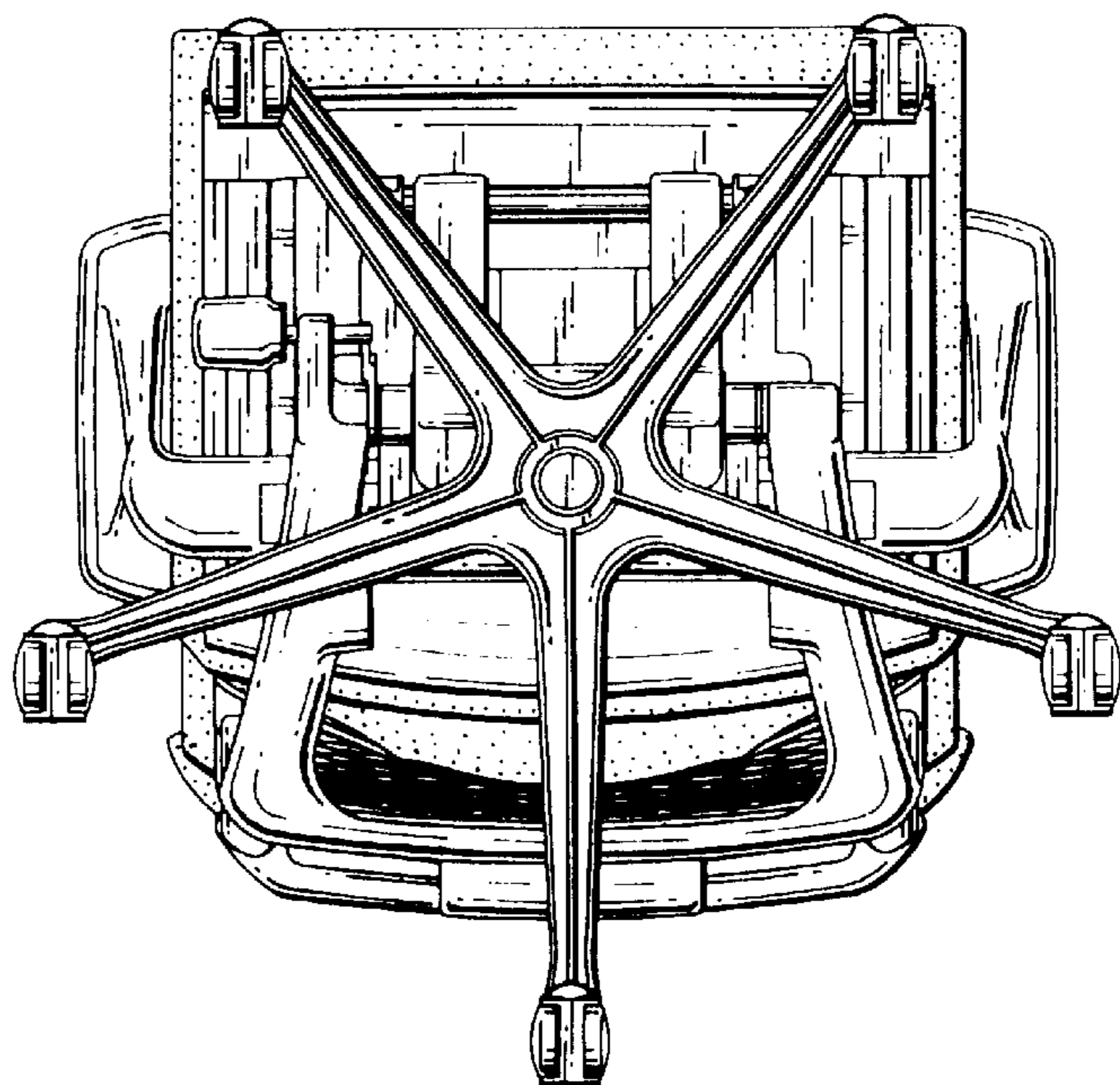


FIG. 6

FIG. 7

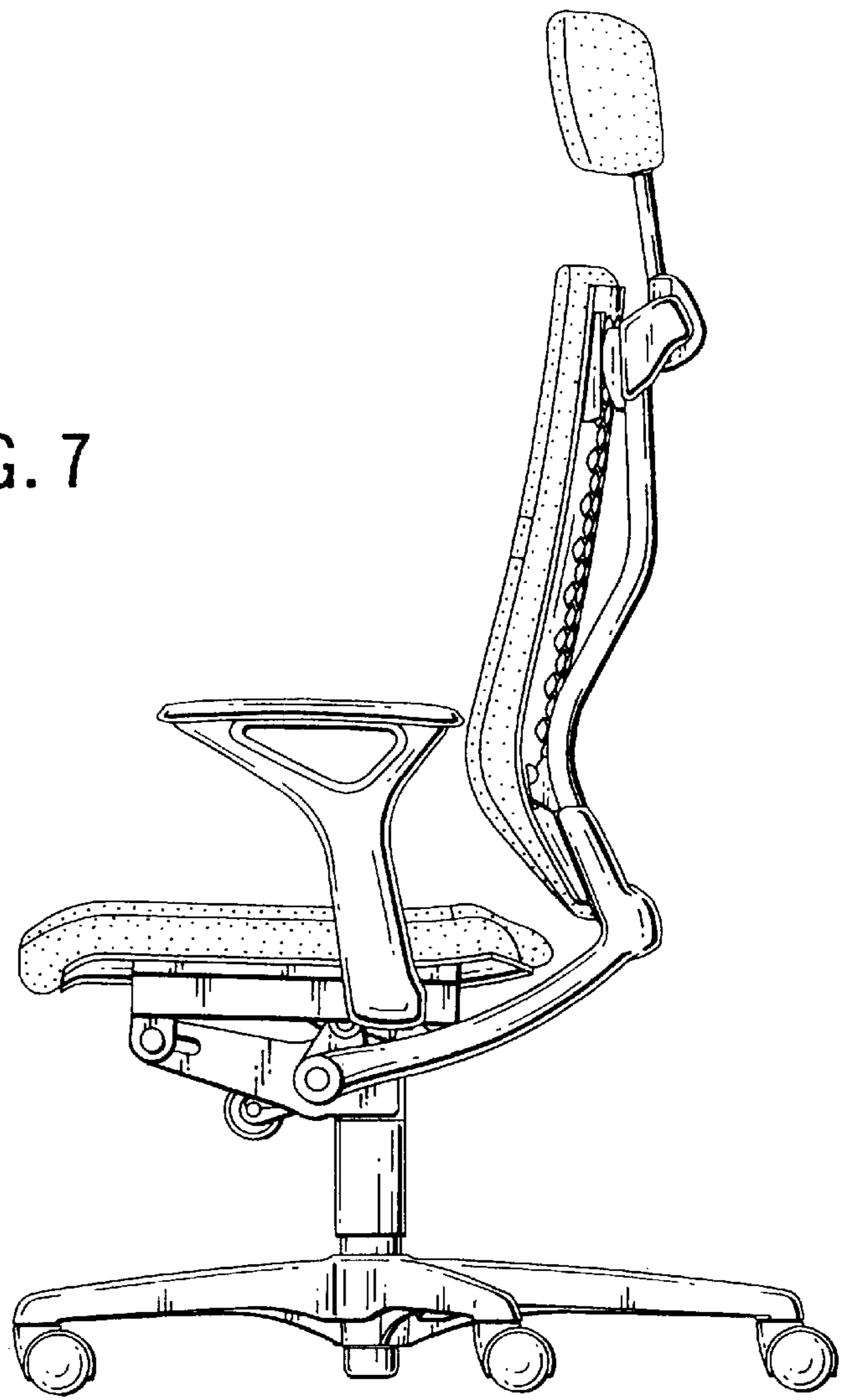
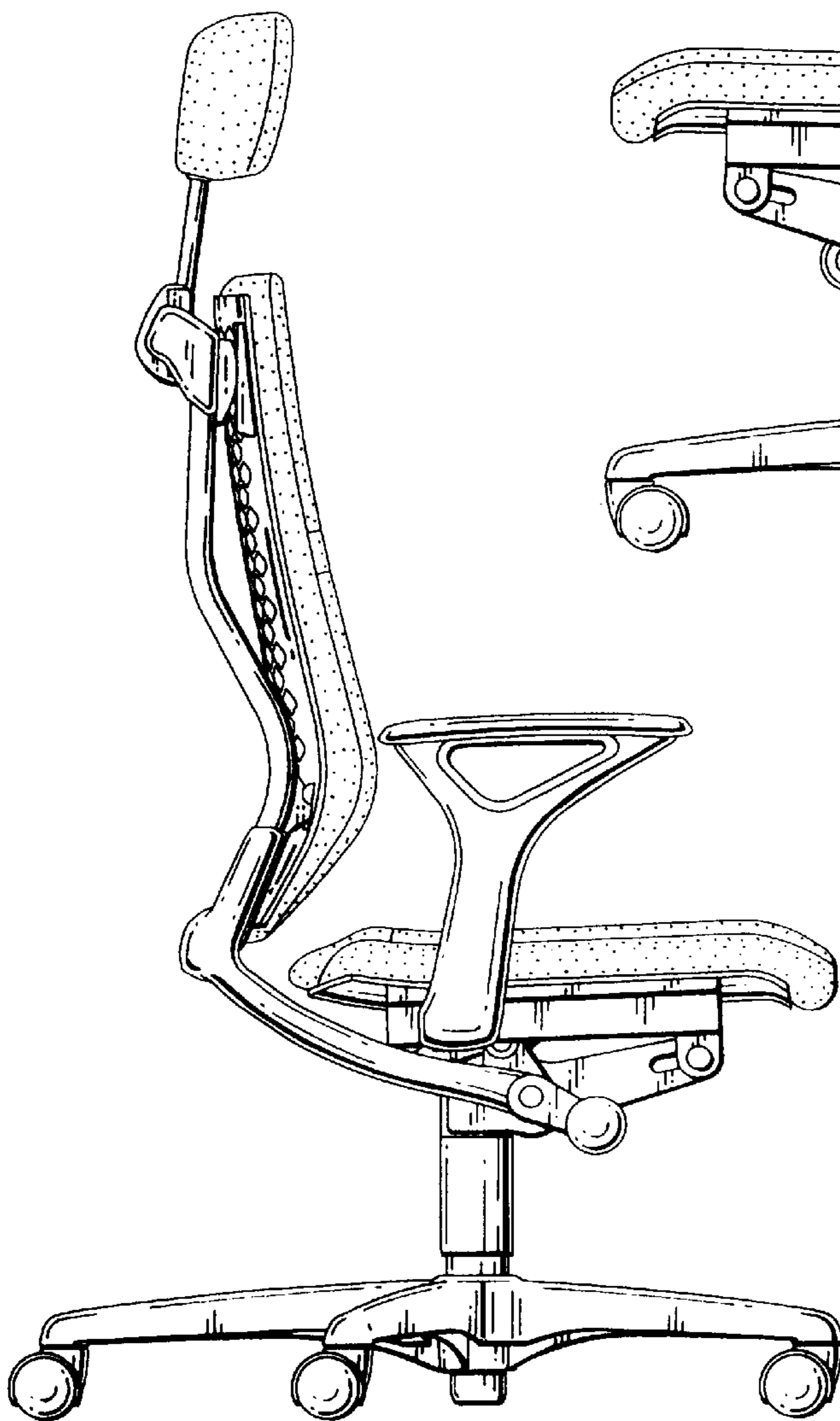


FIG. 8



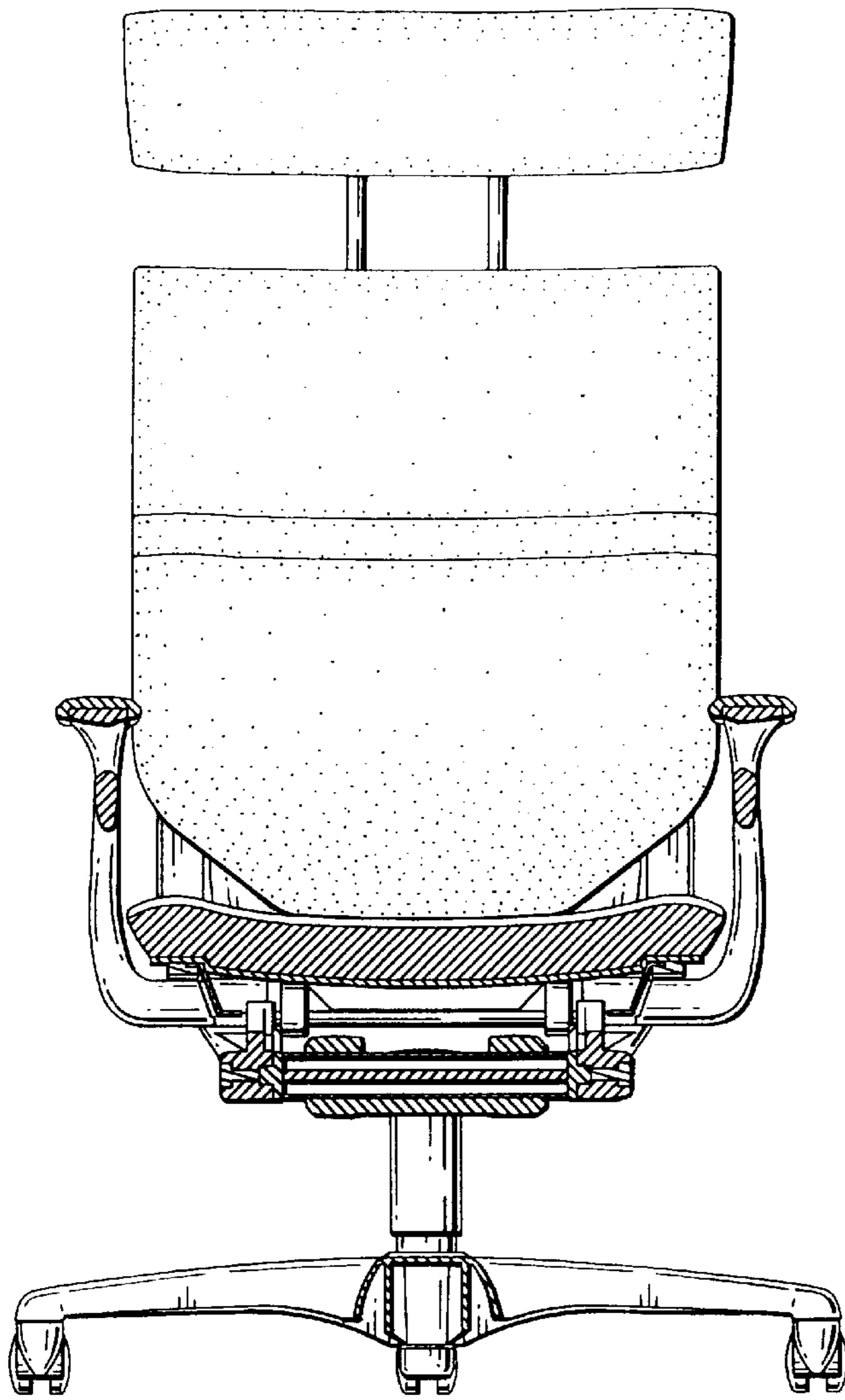


FIG. 9

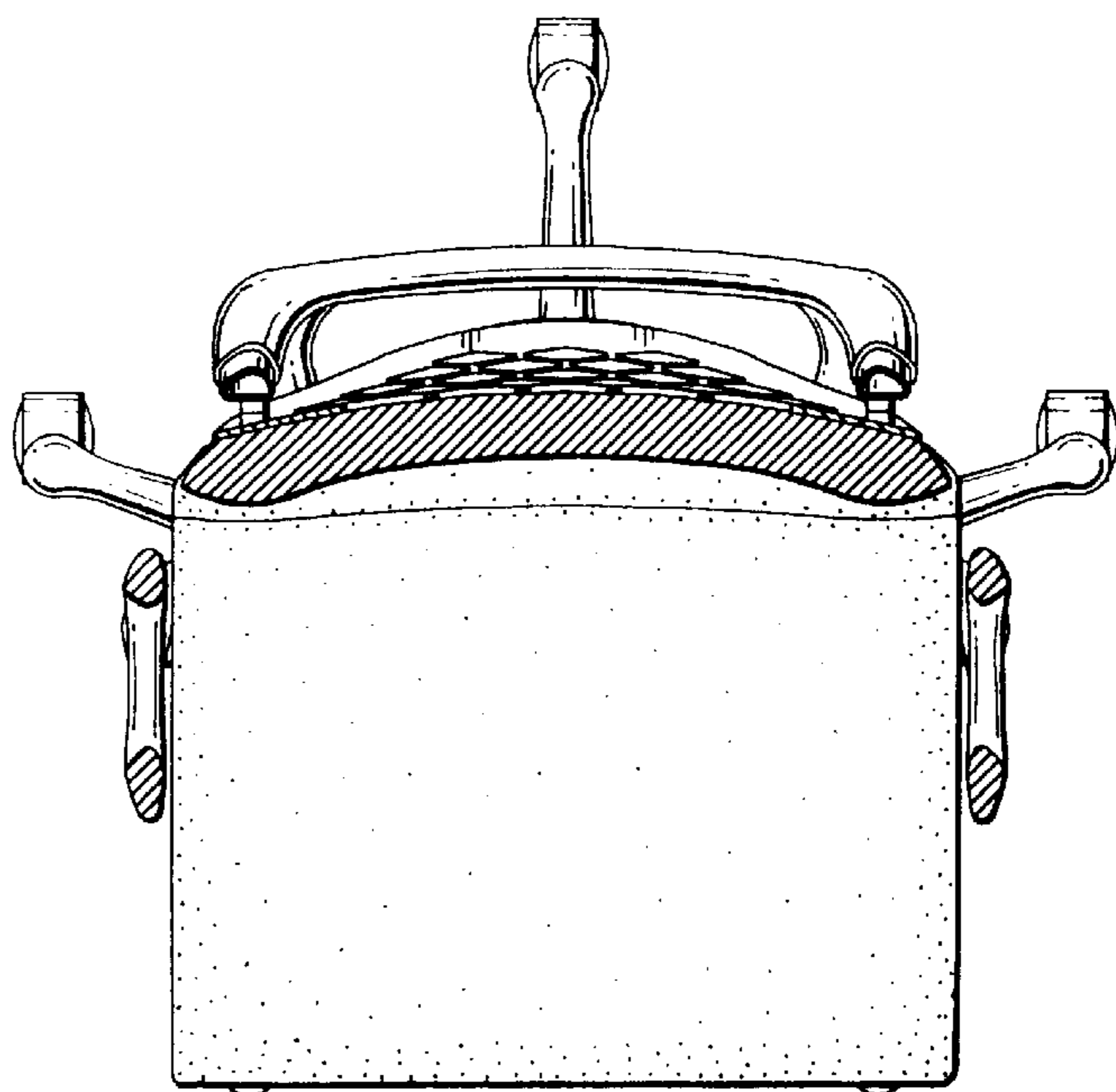


FIG. 10

FIG. 11

