



US00D436259S

(12) **United States Design Patent**
Nagamitsu

(10) **Patent No.:** **US D436,259 S**

(45) **Date of Patent:** **** Jan. 16, 2001**

(54) **CHAIR**

(75) **Inventor:** **Satoshi Nagamitsu, Higashiyamoto (JP)**

(73) **Assignee:** **Okamura Corporation, Kanagawa-Ken (JP)**

(**) **Term:** **14 Years**

(21) **Appl. No.:** **29/122,827**

(22) **Filed:** **May 4, 2000**

(30) **Foreign Application Priority Data**

Nov. 8, 1999 (JP) 11-30546

(51) **LOC (7) Cl.** **06-01**

(52) **U.S. Cl.** **D6/366**

(58) **Field of Search** D6/334, 364, 365,
D6/366, 367, 379, 500-502; 297/300.1,
300.4, 396, 411.2, 411.27, 411.36, 452.29

(56) **References Cited**

U.S. PATENT DOCUMENTS

D. 337,666	*	7/1993	Peterson et al.	D6/366
D. 354,178	*	1/1995	Ochsner	D6/366
D. 355,303	*	2/1995	Scheoer et al.	D6/366
D. 358,064	*	5/1995	Larkin	D6/366
D. 358,944	*	6/1995	Citterio	D6/366
D. 367,980	*	3/1996	Hodge et al.	D6/500
D. 372,799	*	8/1996	Orians et al.	D6/366
D. 379,408	*	5/1997	Feldberg	D6/366
D. 379,567	*	6/1997	Grivet	D6/500
D. 395,762	*	7/1998	Saul	D6/366
D. 407,576	*	4/1999	Ritch et al.	D6/500
D. 408,181	*	4/1999	Ginat	D6/500
D. 411,063	*	6/1999	Ginat	D6/366
D. 414,349	*	9/1999	Jenkins et al.	D6/366
D. 417,101	*	11/1999	DeSanta et al.	D6/366
D. 417,102	*	11/1999	Vanderwood et al.	D6/366
D. 417,792	*	12/1999	Hansen et al.	D6/366
D. 418,316	*	1/2000	Vogtherr	D6/366

D. 421,861	*	3/2000	Ginat	D6/500
D. 422,802	*	4/2000	Deacon	D6/366
6,076,892	*	6/2000	Van Hekken et al.	297/411.36
6,086,153	*	7/2000	Heidmann et al.	297/300.1

OTHER PUBLICATIONS

Cenarro Executive Leather High-Back Chair 51C93, p. 62, Lizell winter catalog, 1998.*

* cited by examiner

Primary Examiner—Doris V. Coles

Assistant Examiner—Mimosa De

(74) *Attorney, Agent, or Firm*—Henricks, Slavin & Holmes LLP

(57) **CLAIM**

The ornamental design for a chair, as shown.

DESCRIPTION

This application is related to concurrently filed design applications, Ser. Nos. 29/122,832 and 29/122,826 and 29/122,837.

FIG. 1 is a front perspective view of a chair showing my new design;

FIG. 2 is a rear perspective view thereof;

FIG. 3 is a front elevational view thereof;

FIG. 4 is a top plan view thereof;

FIG. 5 is a rear elevational view thereof;

FIG. 6 is a bottom plan view thereof;

FIG. 7 is a right side elevational view thereof;

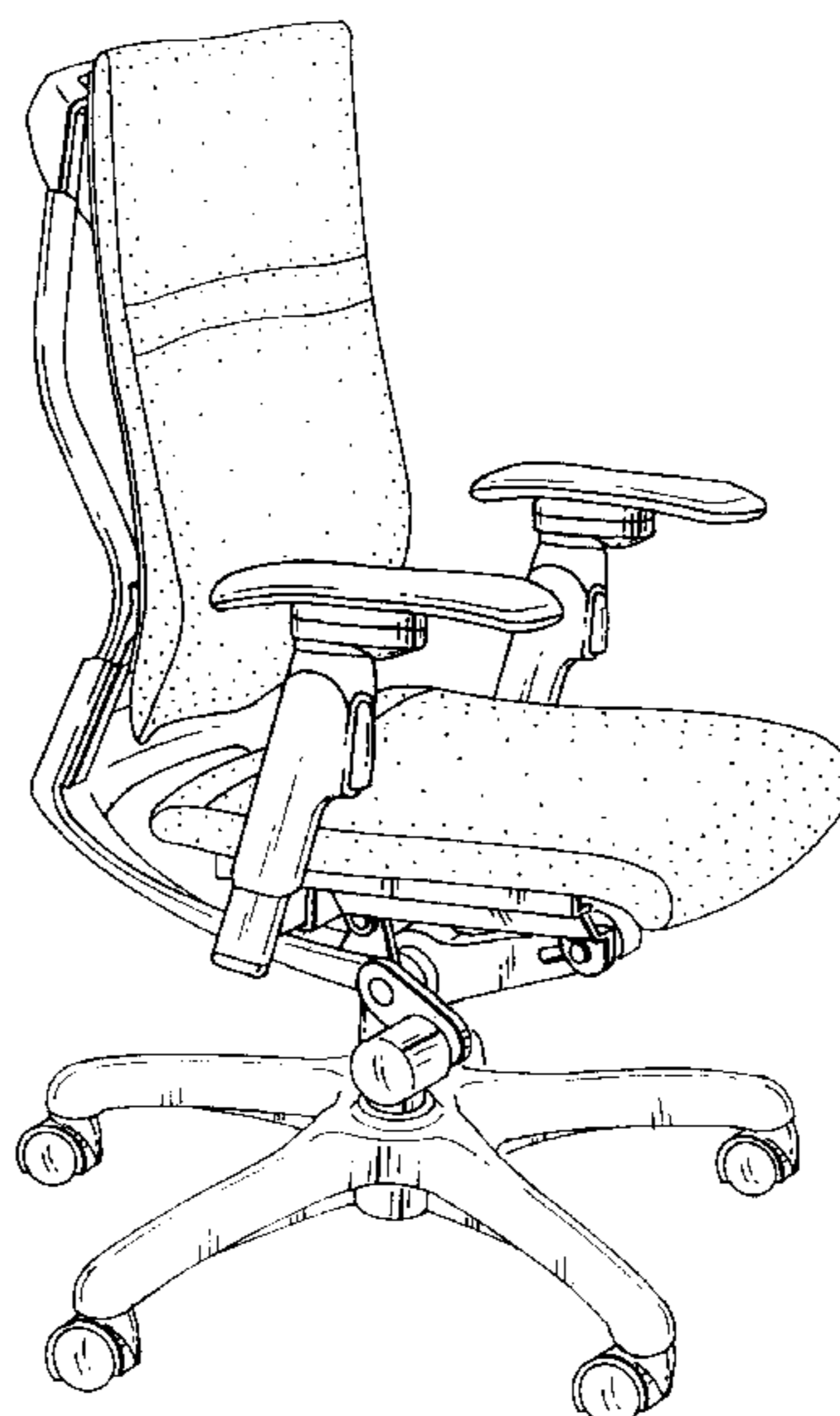
FIG. 8 is a left side elevational view thereof;

FIG. 9 is a vertical sectional front view taken along the line 9—9 in FIG. 4;

FIG. 10 is a horizontal sectional plan view taken along the line 10—10 in FIG. 3; and,

FIG. 11 is a vertical sectional right side view taken along the line 11—11 in FIG. 4 thereof.

1 Claim, 7 Drawing Sheets



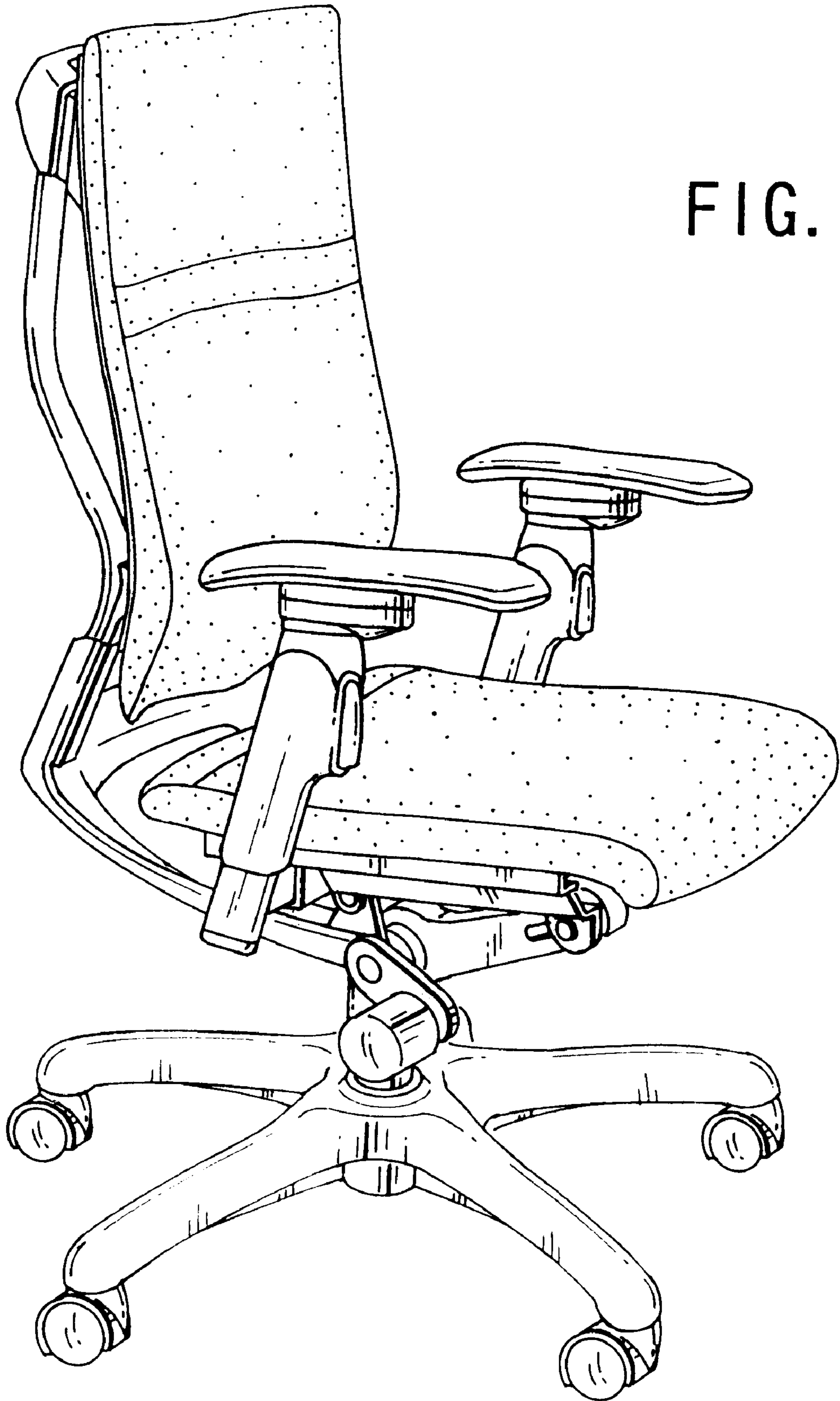


FIG. 1

FIG. 2

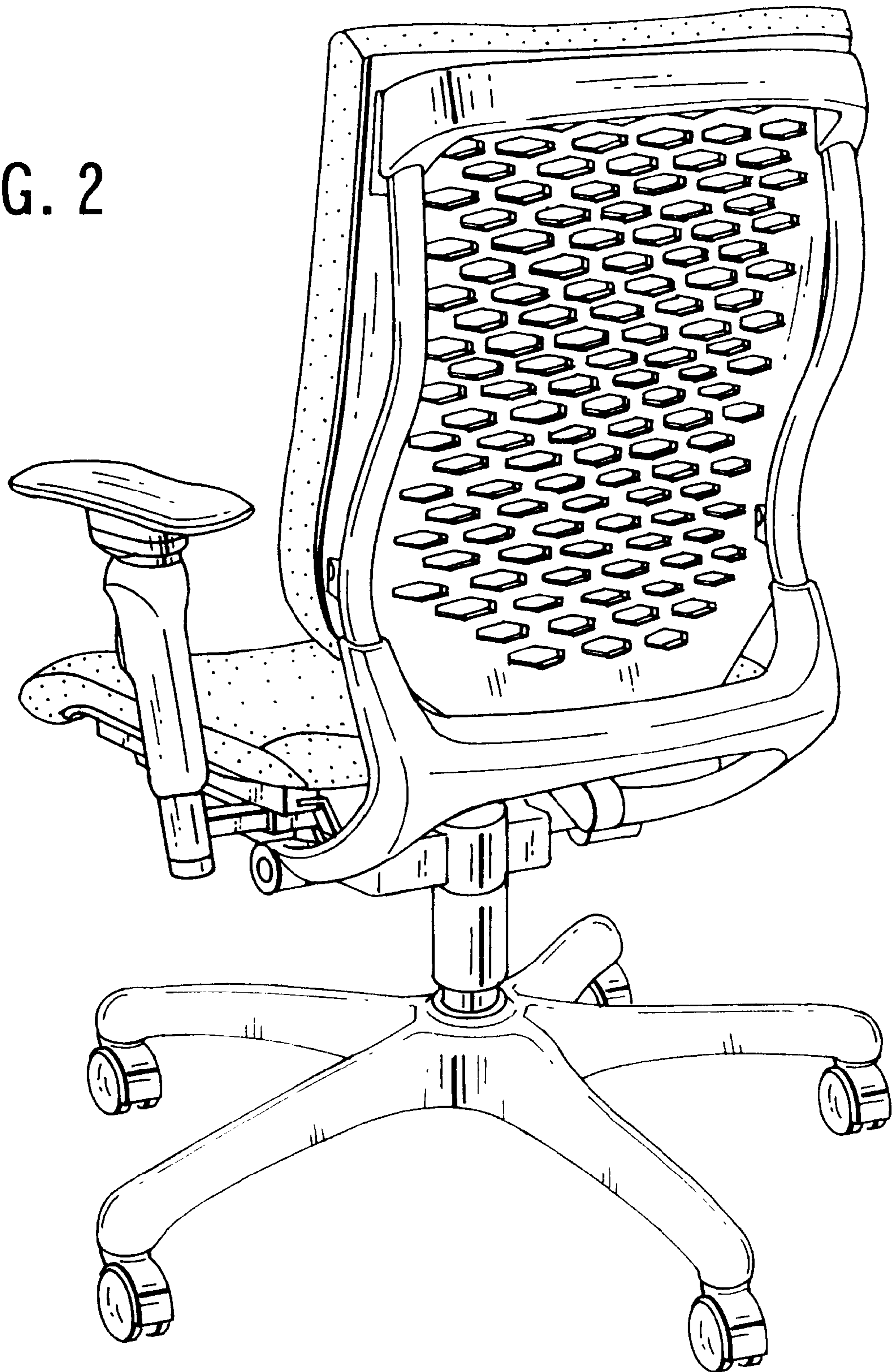


FIG. 3

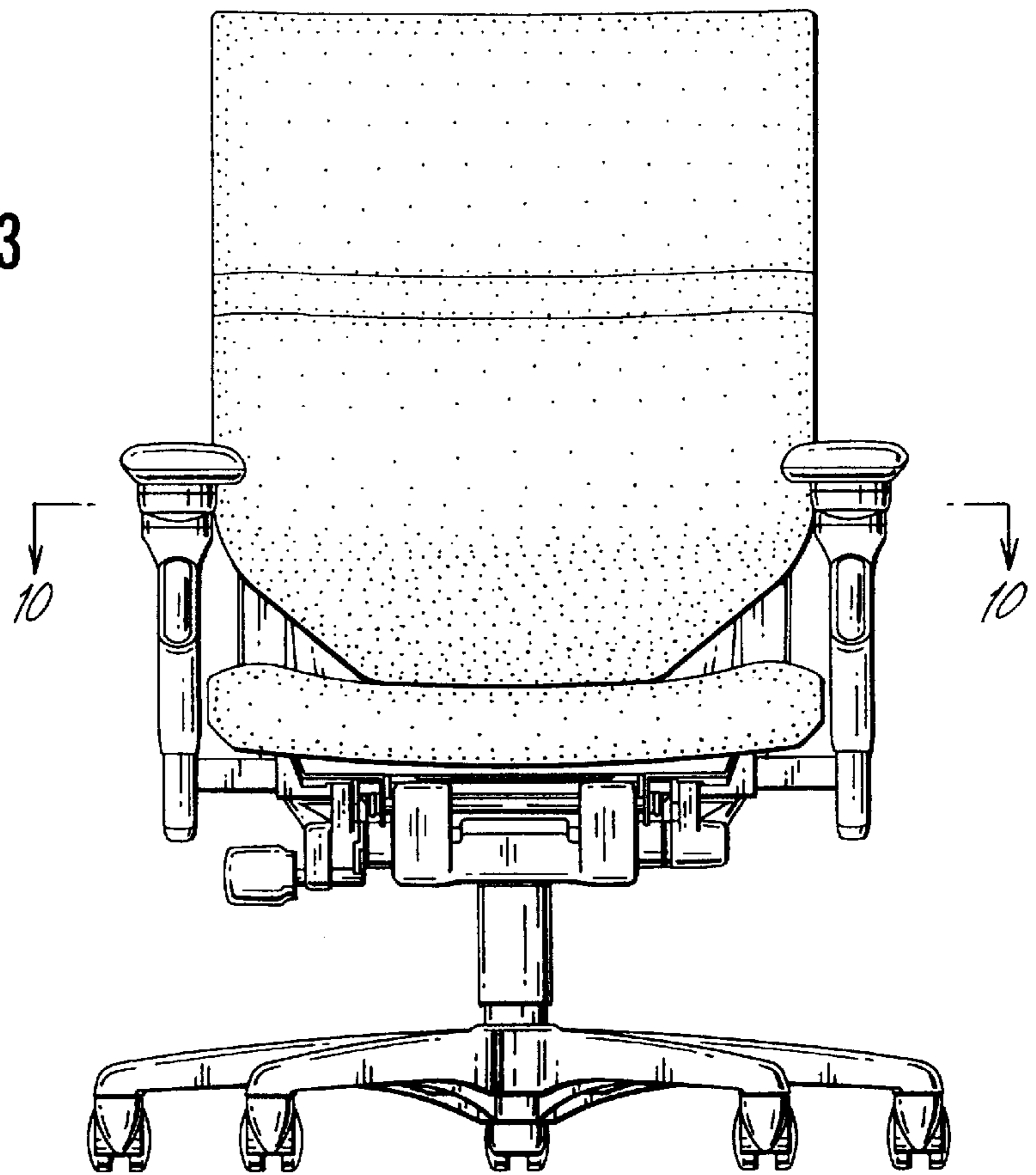
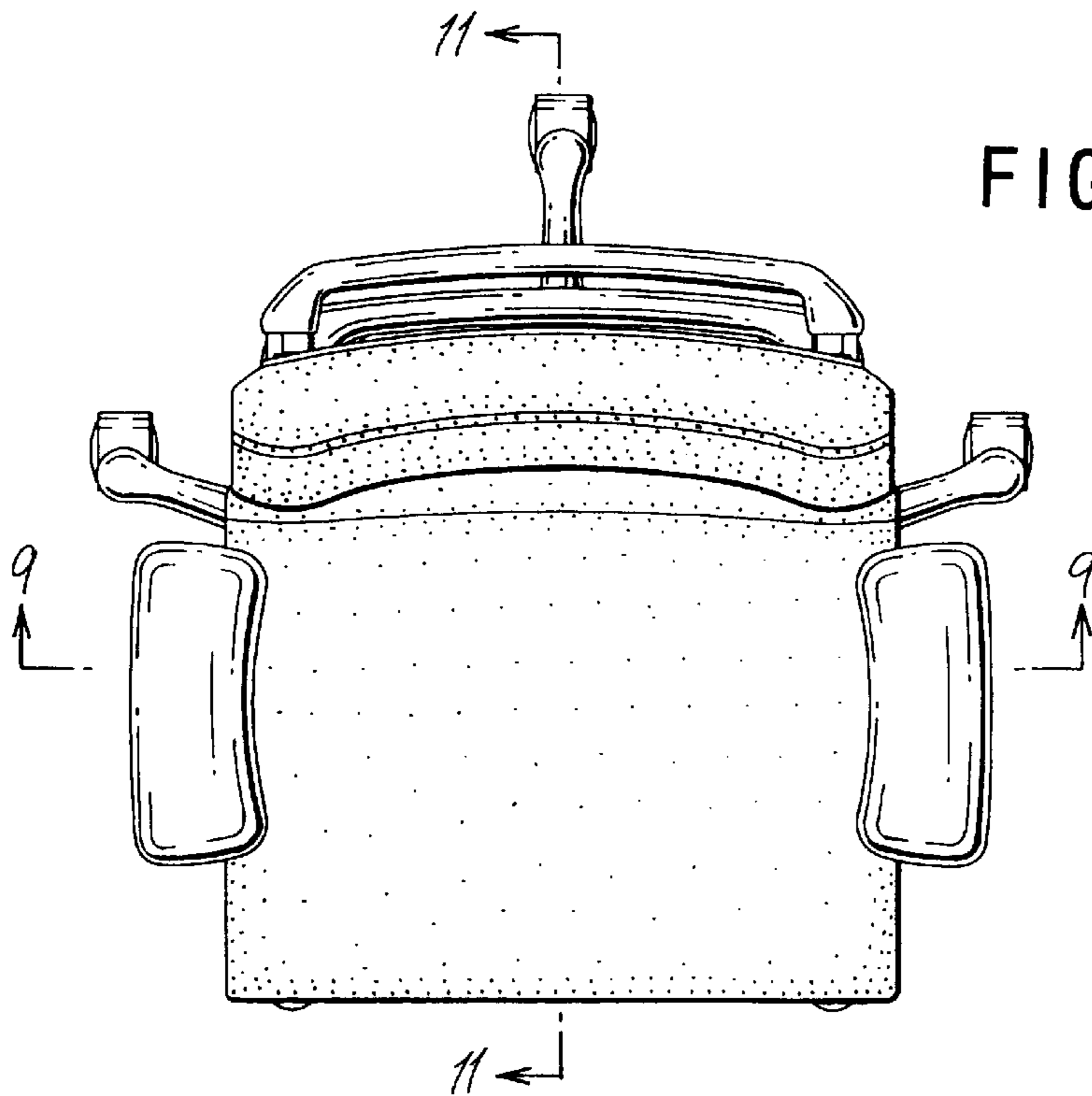


FIG. 4



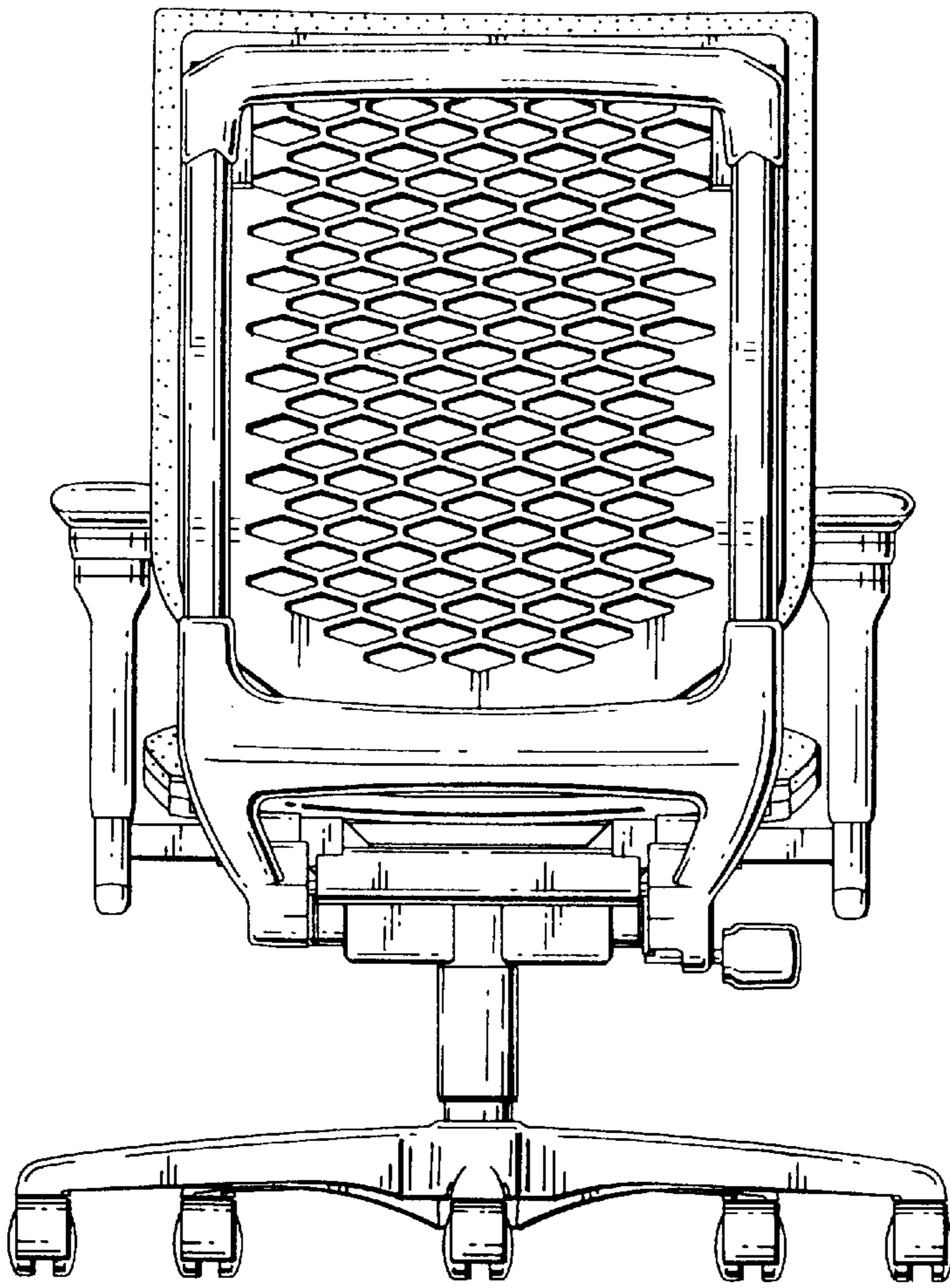


FIG. 5

FIG. 6

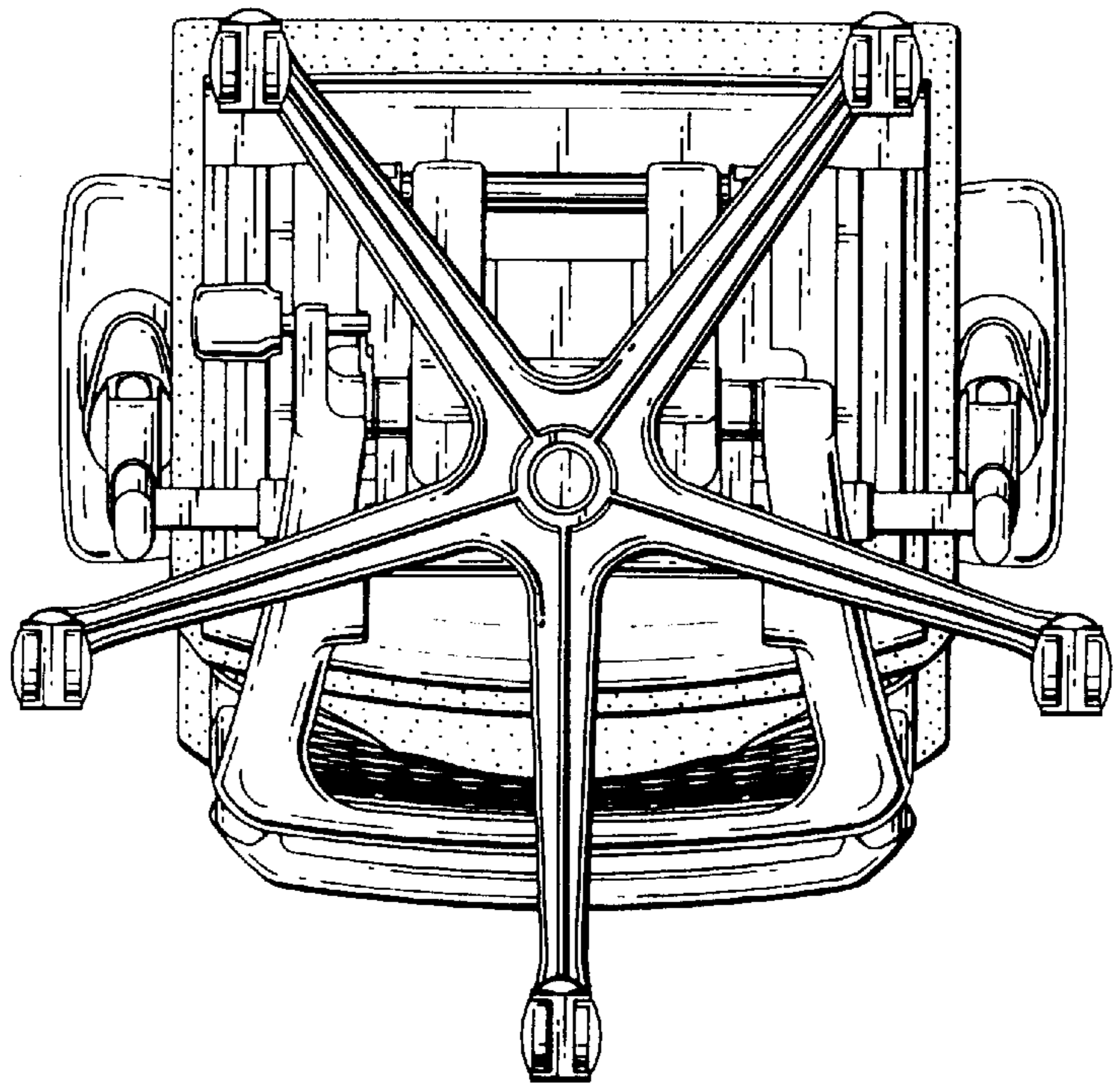


FIG. 7

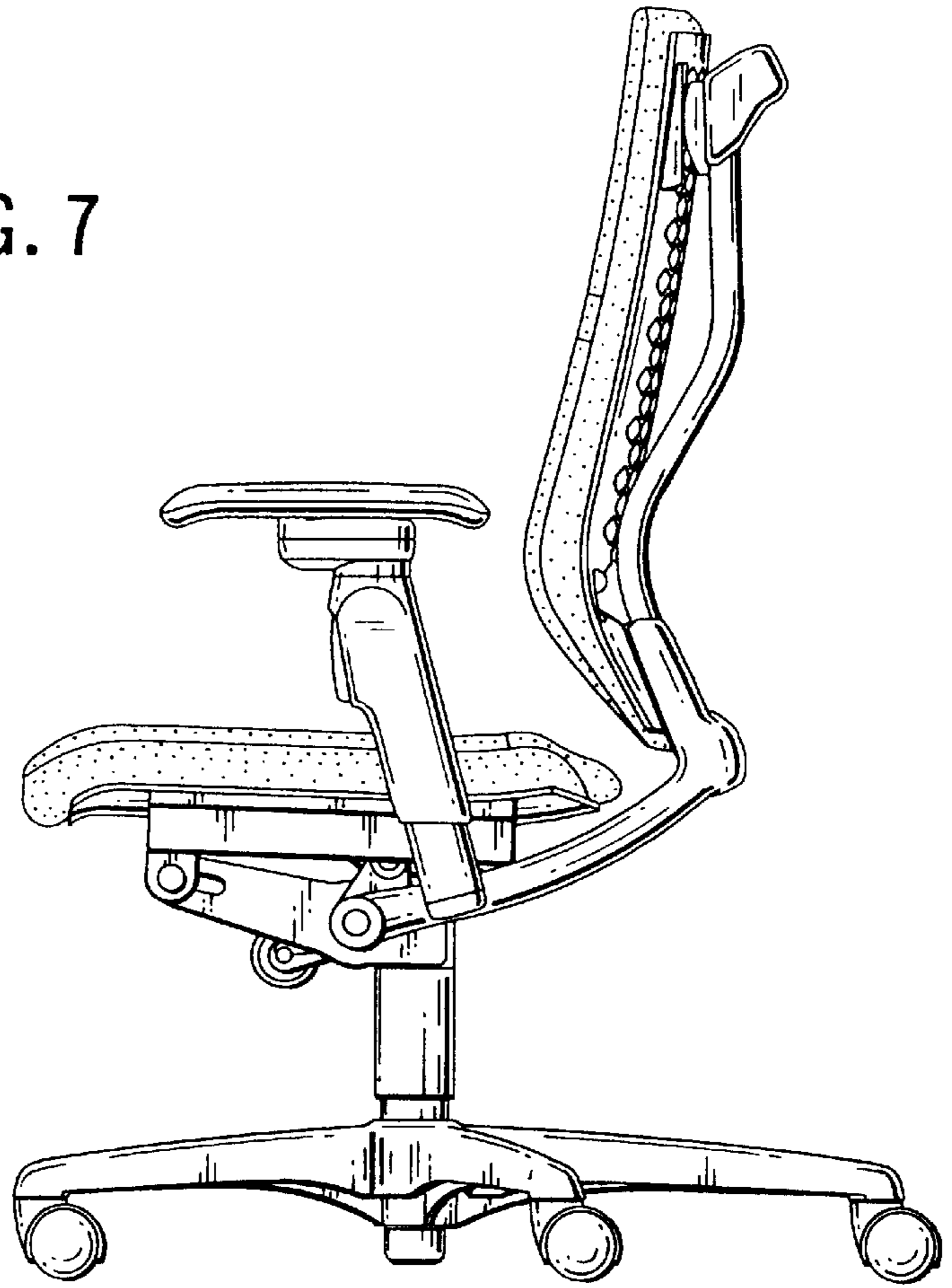
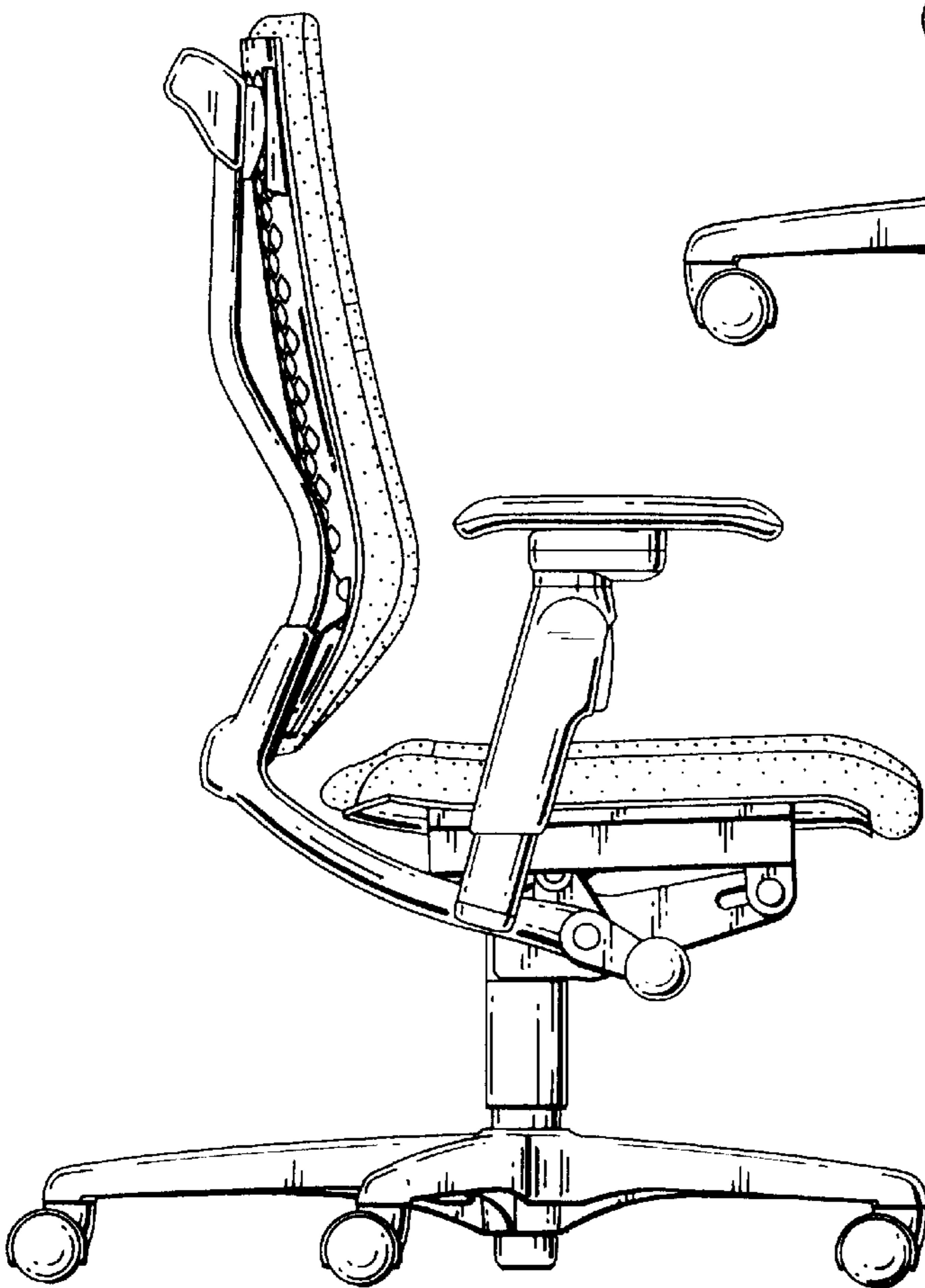


FIG. 8



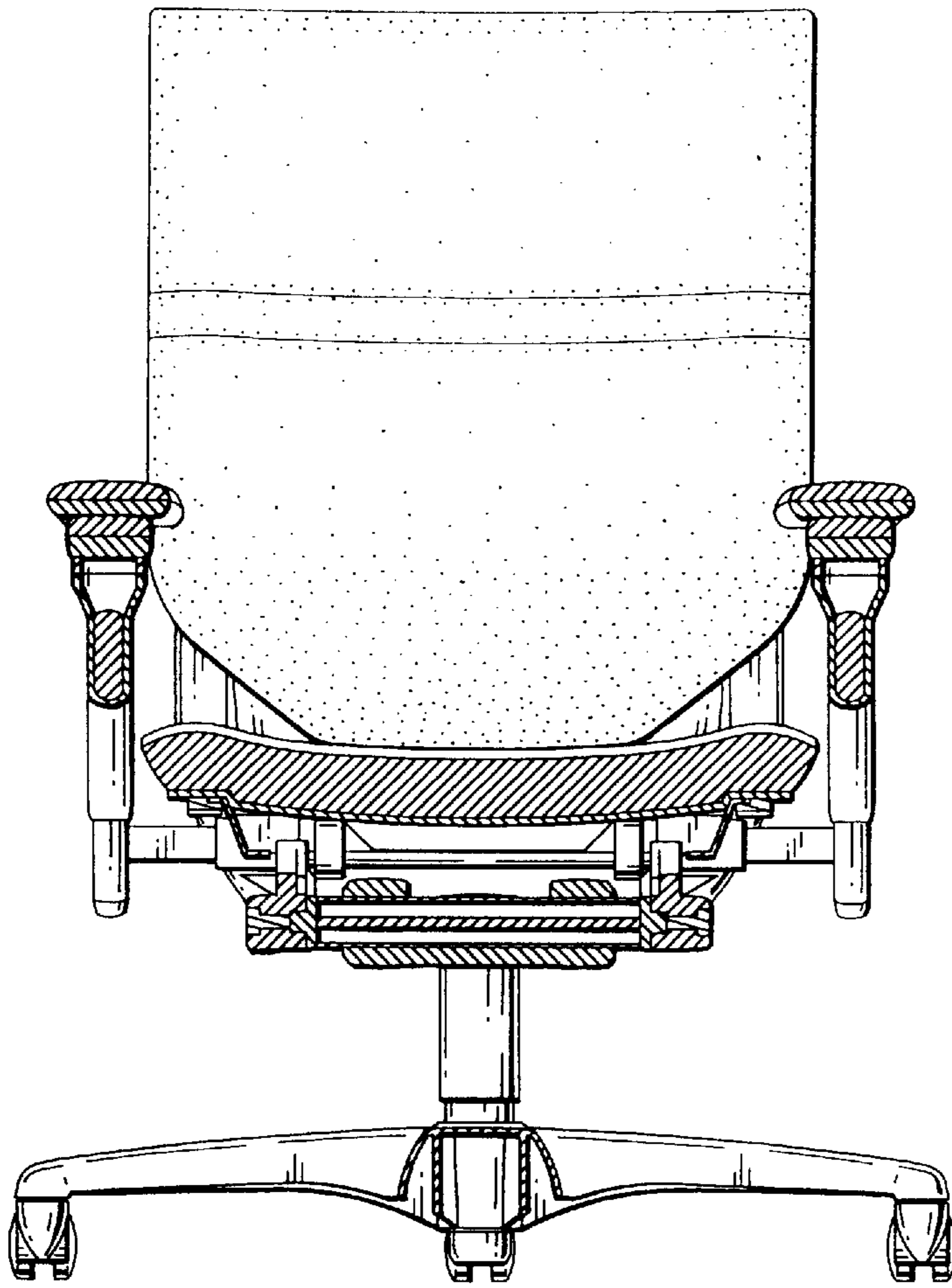


FIG. 9

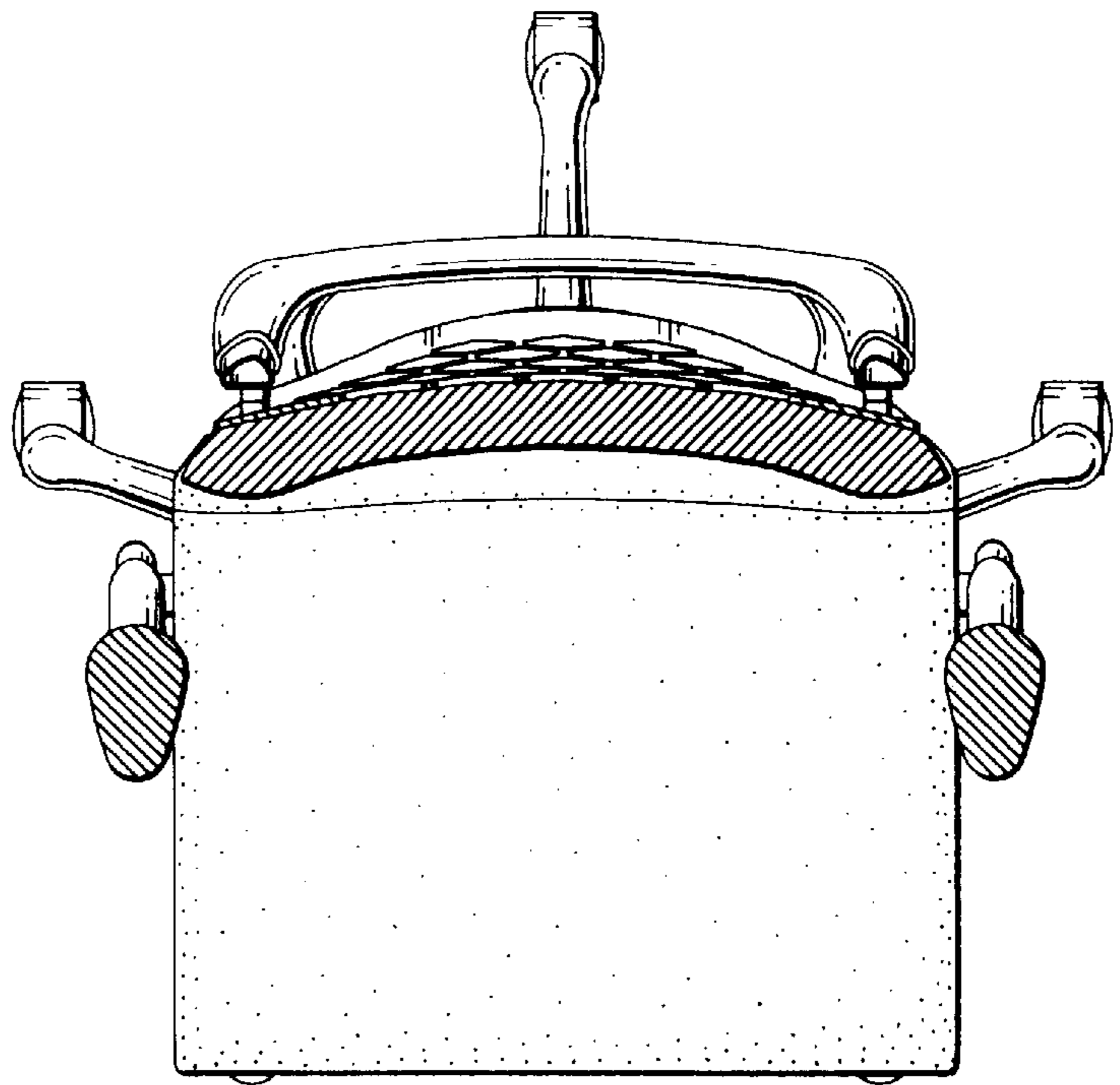


FIG. 10

FIG. 11

