



US00D436252S

(12) **United States Design Patent**
Gribovsky

(10) **Patent No.:** **US D436,252 S**

(45) **Date of Patent:** **** Jan. 16, 2001**

(54) **MONEY CLIP**

(76) **Inventor:** **Vladimir Gribovsky**, 6301 Bay Ridge Rd., Mound, MN (US) 55364

(**) **Term:** **14 Years**

(21) **Appl. No.:** **29/119,026**

(22) **Filed:** **Feb. 22, 2000**

(51) **LOC (7) Cl.** **03-01**

(52) **U.S. Cl.** **D3/249; D3/247; D3/250; D3/253**

(58) **Field of Search** **D3/247, 248, 249, D3/250, 251, 252, 253; 150/131, 132, 135, 137, 140, 144, 145, 147, 149**

(56) **References Cited**

U.S. PATENT DOCUMENTS

D. 74,481	2/1928	Cowen .	
D. 181,550	11/1957	Rubeck .	
D. 185,346	6/1959	Chase .	
D. 239,572	4/1976	Leopoldi .	
D. 270,747	9/1983	Eisinger et al. .	
D. 345,859	4/1994	Gribovsky .	
1,683,996	9/1928	Snow .	
2,419,092	4/1947	Schupbach .	
2,455,515	12/1948	Miller .	
2,597,967	* 5/1952	Anderson	150/137
2,658,545	* 11/1953	Weydener et al.	150/137
2,667,199	1/1954	Knee .	
2,719,557	10/1955	Bell .	
2,779,461	1/1957	Schweitzer .	
2,816,590	* 12/1957	Boots	150/137
2,824,590	* 2/1958	Anderson	150/137
2,876,518	* 3/1959	Shears	150/147

3,018,532	*	1/1962	Rinaldi	150/149
3,058,506		10/1962	Parisi .	
3,753,519		8/1973	Gammon .	
3,799,331		3/1974	White .	
4,741,372		5/1988	Santilli .	
4,945,961		8/1990	Healy .	
5,199,573		4/1993	Gribovsky .	

FOREIGN PATENT DOCUMENTS

0472005	2/1929	(DE) .
1249471	11/1960	(FR) .
196814	4/1922	(GB) .

* cited by examiner

Primary Examiner—Louis S. Zarfes
Assistant Examiner—Monica A. Weingart
(74) *Attorney, Agent, or Firm*—Patterson, Thuente, Skaar & Christensen, P.A.

(57) **CLAIM**

I claim the ornamental design for money clip, as shown.

DESCRIPTION

FIG. 1 is a perspective view with the present invention in its folded state;
FIG. 2 is a perspective view thereof showing the design in its opened state;
FIG. 3 is a front elevational view of the present invention in its folded state with the rear elevational view being a mirror image of the front elevational view;
FIG. 4 is a left side elevational view, thereof;
FIG. 5 is a right side elevational view, thereof;
FIG. 6 is a top plan view, thereof; and,
FIG. 7 is a bottom plan view.

1 Claim, 2 Drawing Sheets

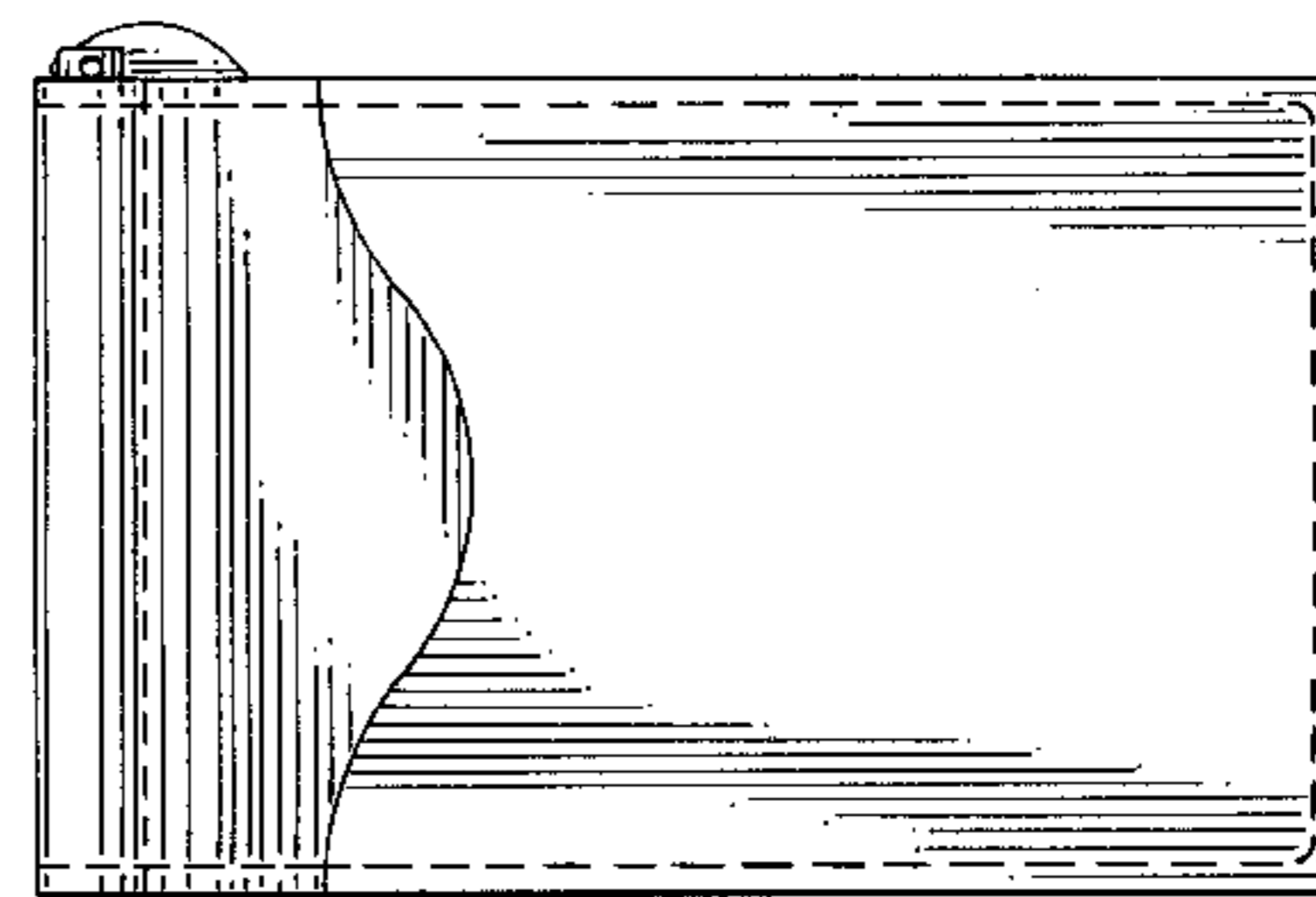
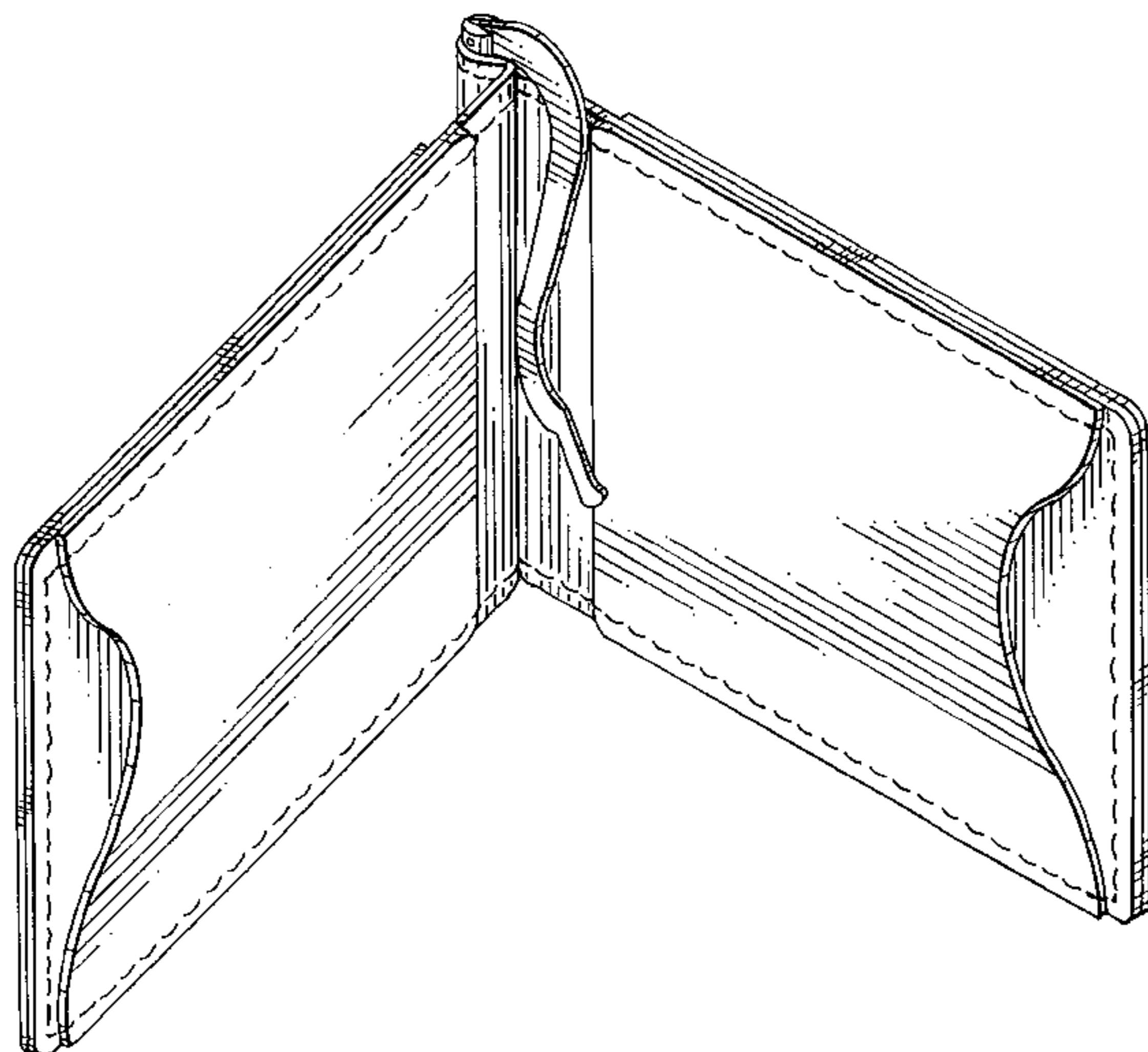


Fig. 1

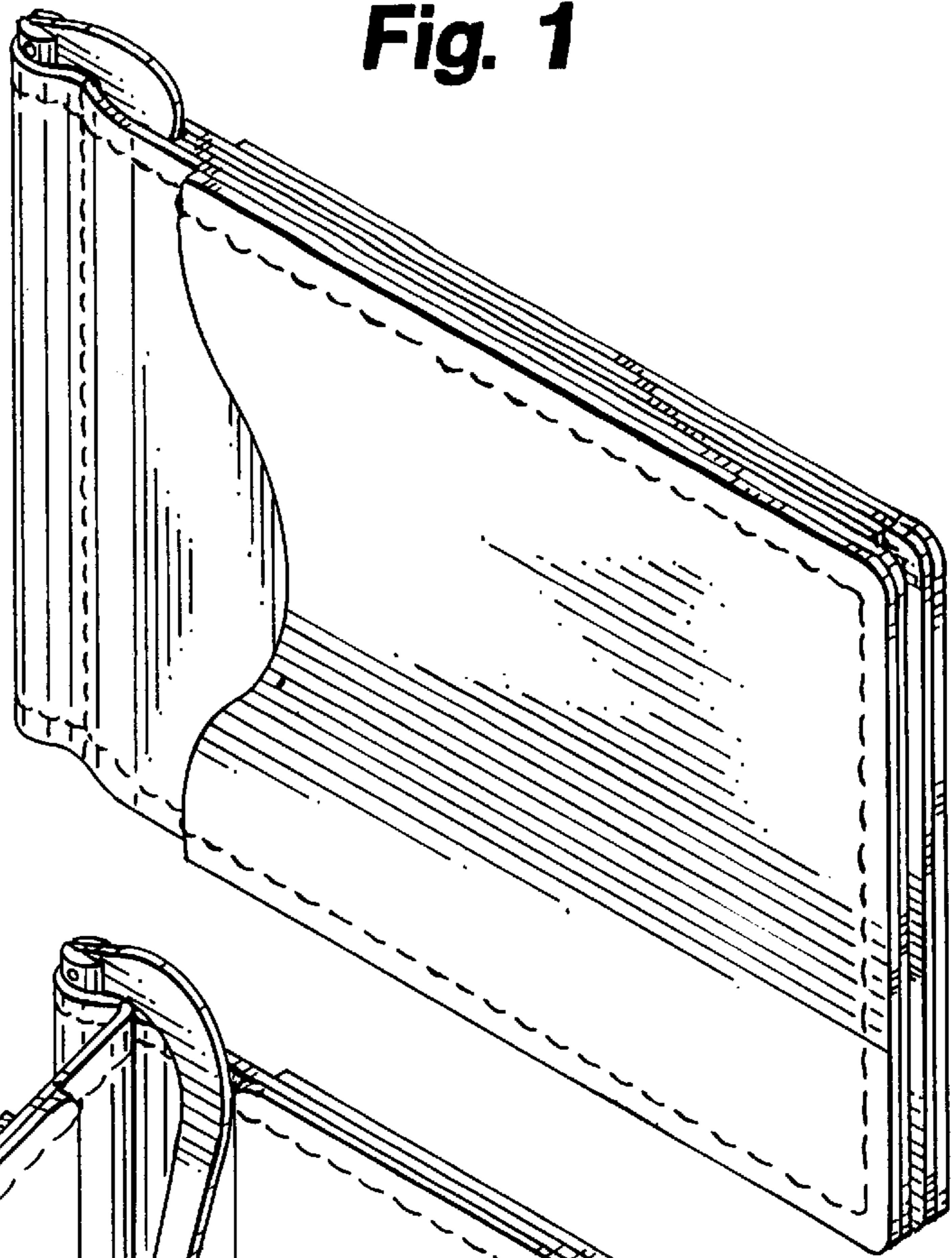


Fig. 2

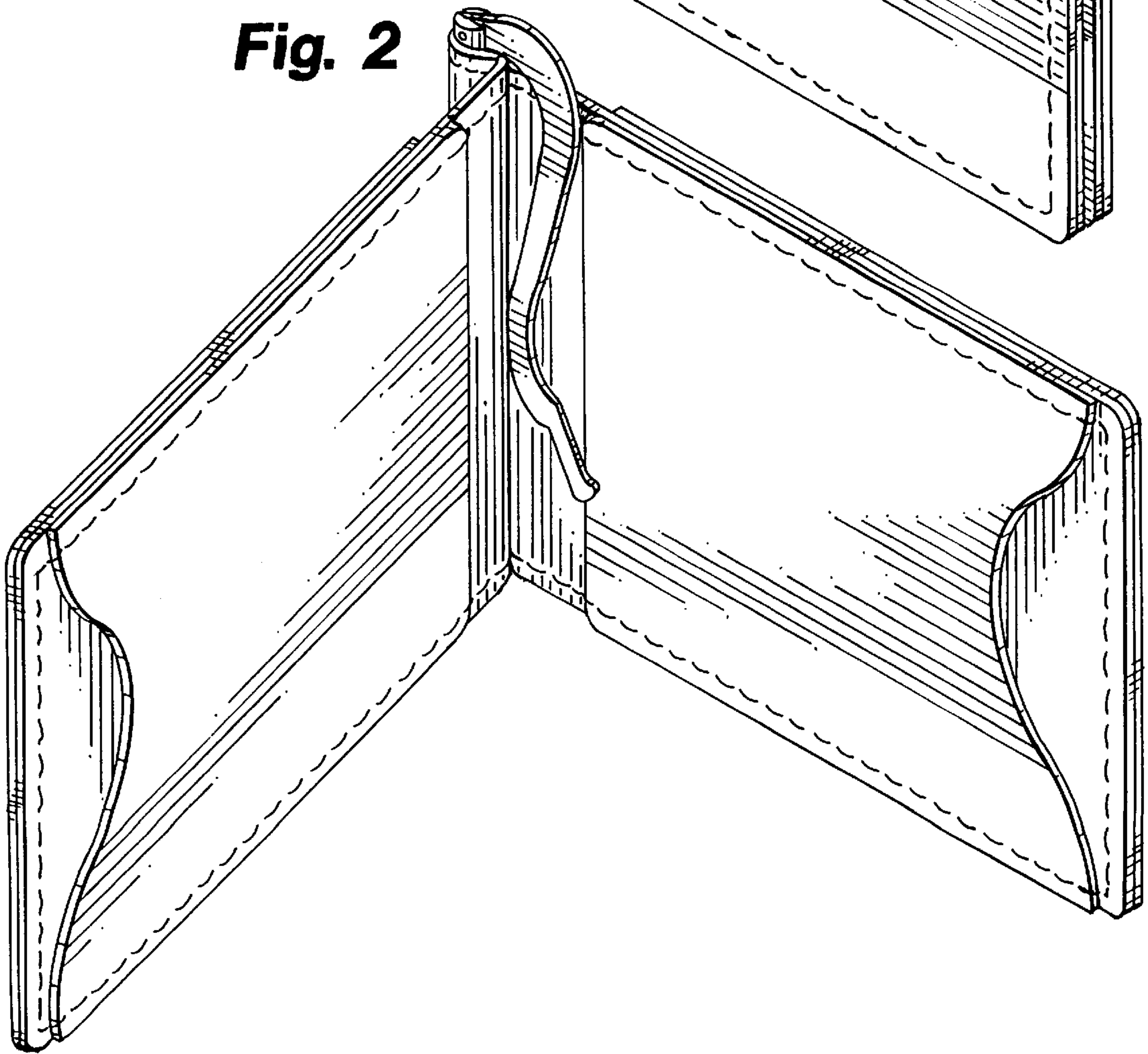


Fig. 3

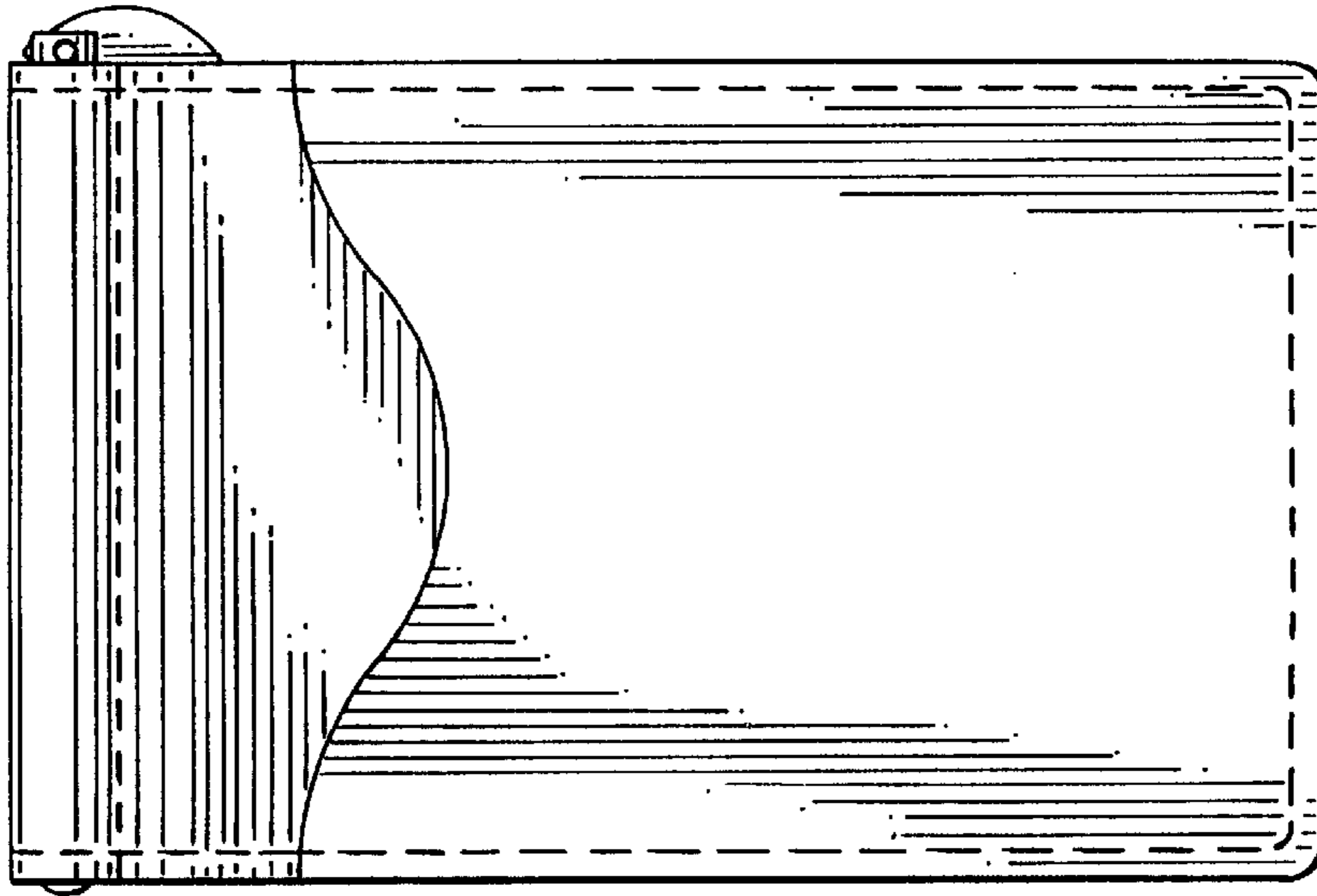


Fig. 4



Fig. 5



Fig. 6

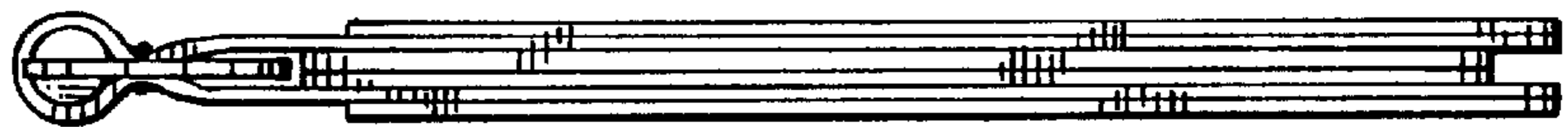


Fig. 7

