



US00D436238S

(12) **United States Design Patent**
Wu

(10) **Patent No.:** **US D436,238 S**

(45) **Date of Patent:** **** Jan. 9, 2001**

(54) **SHOE POLISHER**

4,532,668 * 8/1985 Slonicki 15/104.92

(75) Inventor: **John Wu, Taipei (TW)**

* cited by examiner

(73) Assignee: **Empire Computer & Components, Inc., Santa Clara, CA (US)**

Primary Examiner—Mitchell Siegel

(**) Term: **14 Years**

(57) **CLAIM**

The ornamental design for a shoe polisher, as shown and described.

(21) Appl. No.: **29/119,811**

DESCRIPTION

(22) Filed: **Mar. 8, 2000**

(51) **LOC (7) Cl.** **15-05**

(52) **U.S. Cl.** **D32/14.1**

(58) **Field of Search** D32/14.1; D4/102;
15/161, 104.92, 88.1

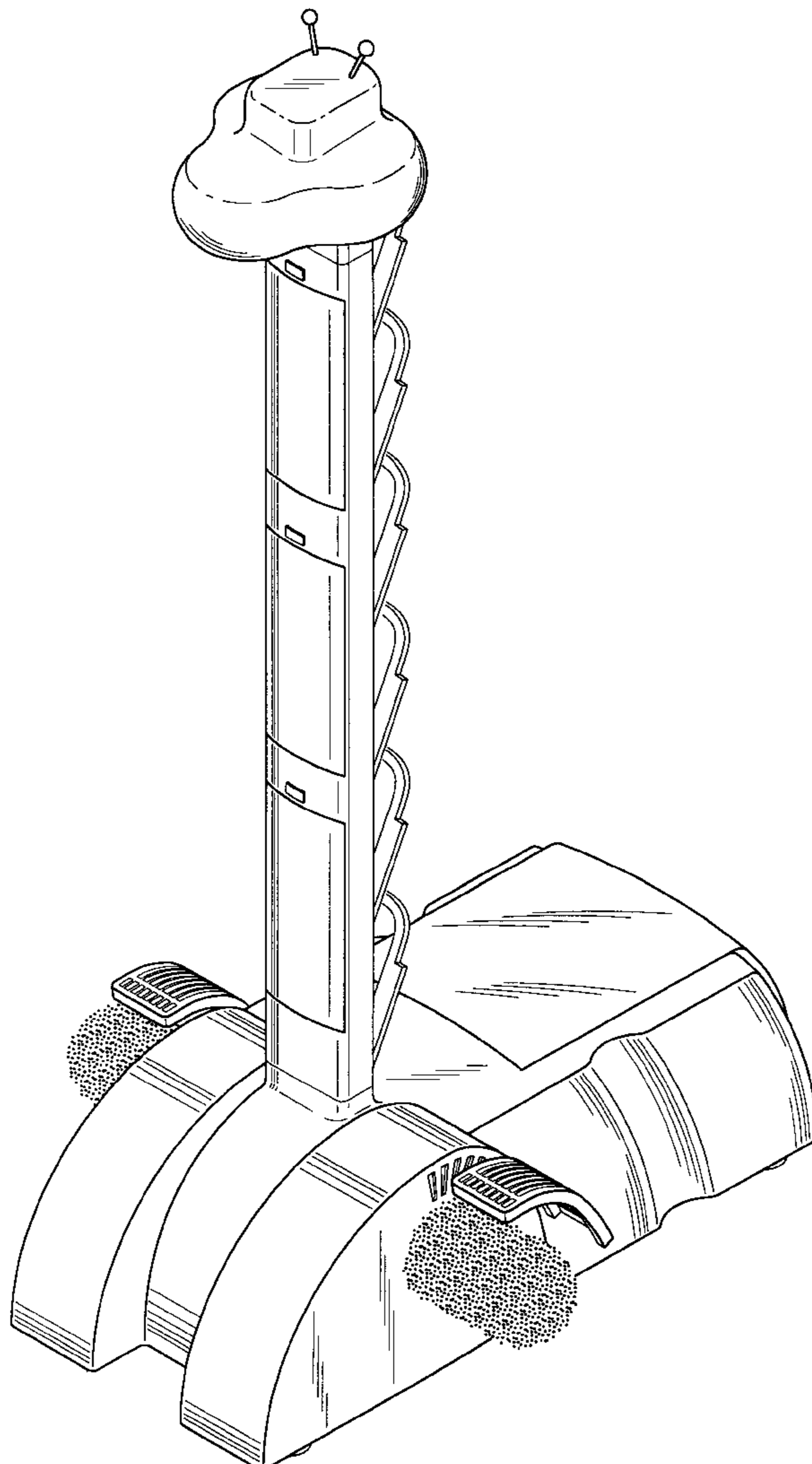
FIG. 1 is a perspective view of a shoe polisher showing my new design,
FIG. 2 is a side view of one side thereof;
FIG. 3 is a side view of the opposite side thereof;
FIG. 4 is a front view thereof;
FIG. 5 is a rear view thereof;
FIG. 6 is a top view thereof; and,
FIG. 7 is a bottom view thereof.

(56) **References Cited**

U.S. PATENT DOCUMENTS

D. 355,734 * 2/1995 Goble D32/14.1

1 Claim, 4 Drawing Sheets



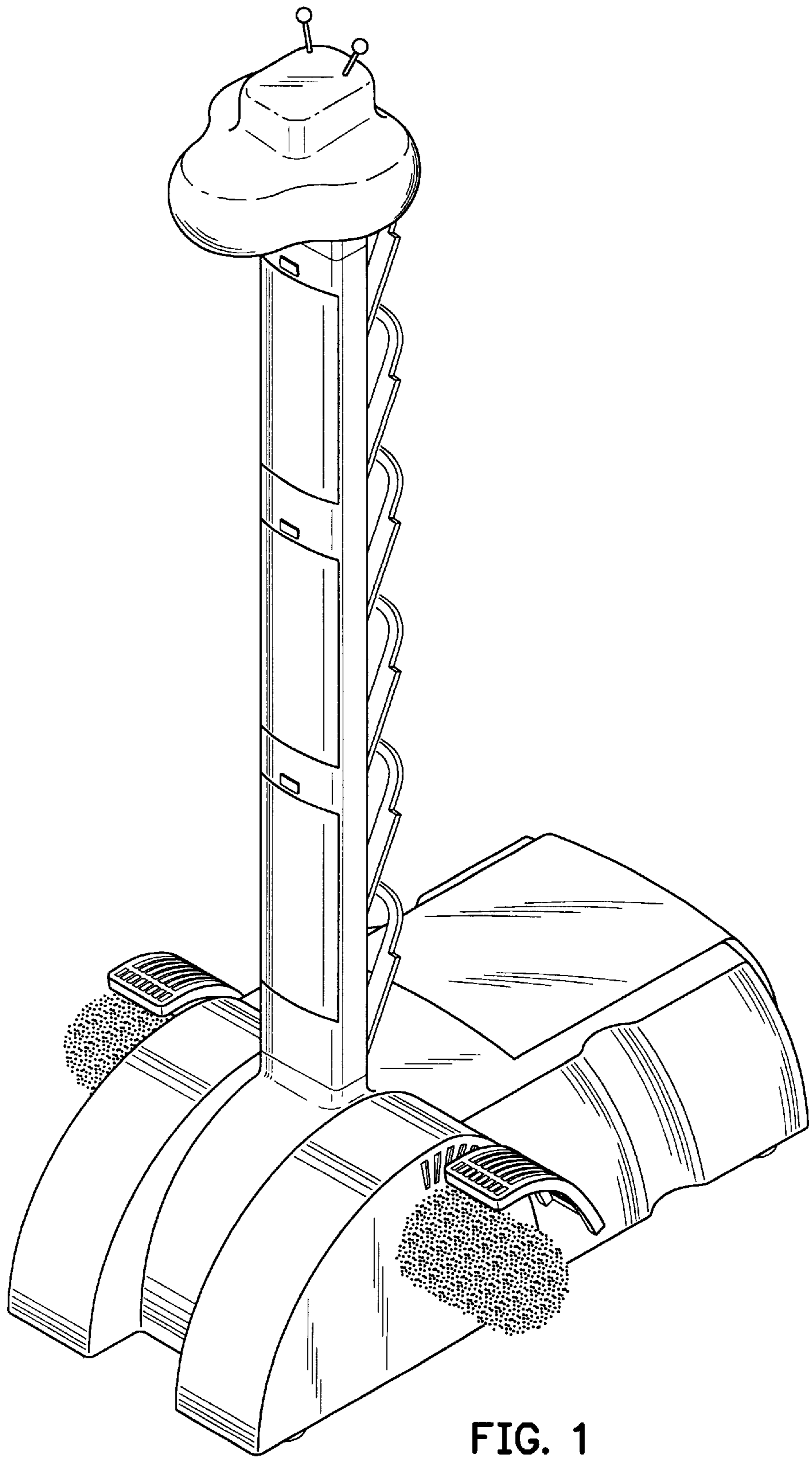


FIG. 1

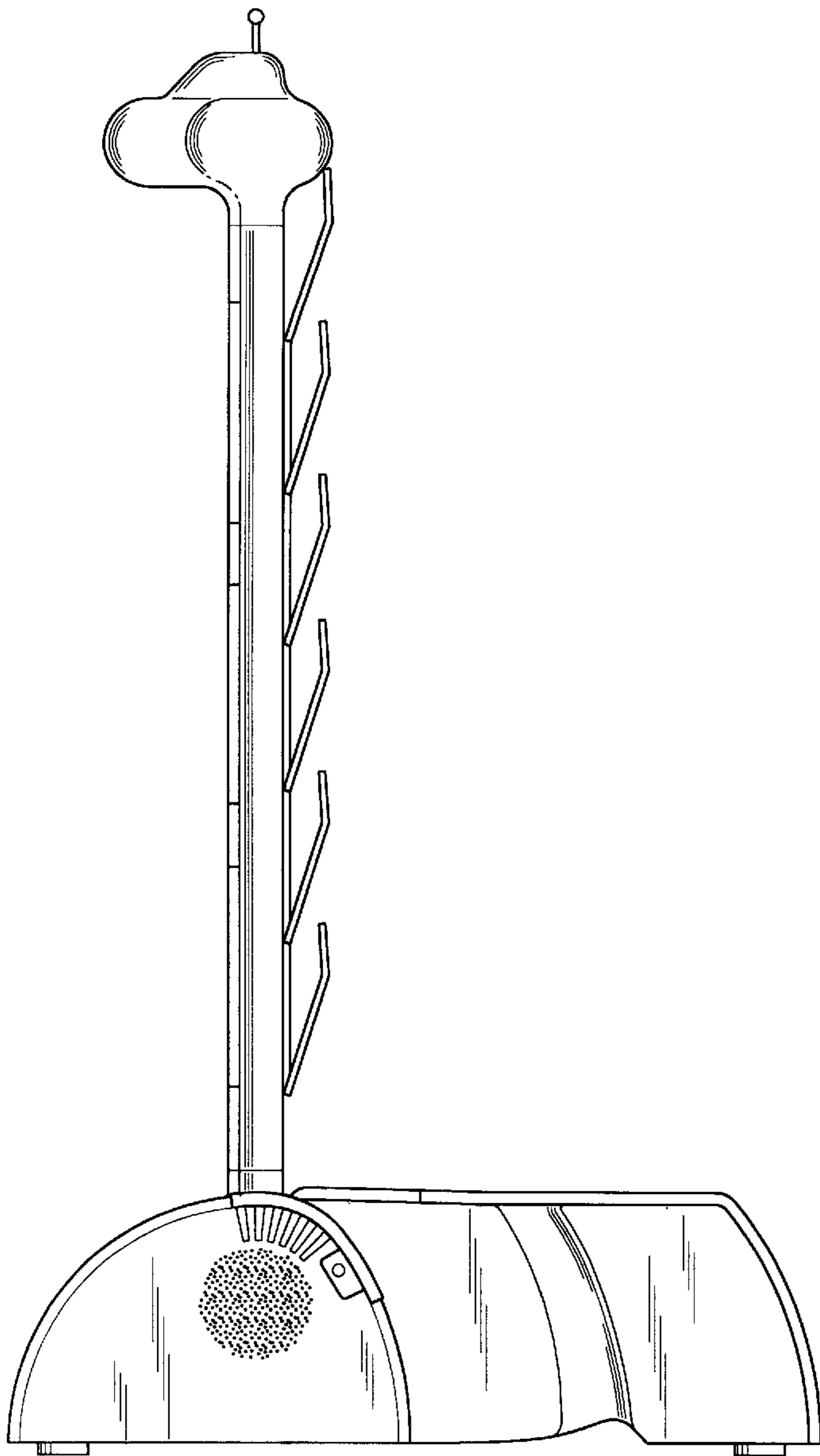


FIG. 2

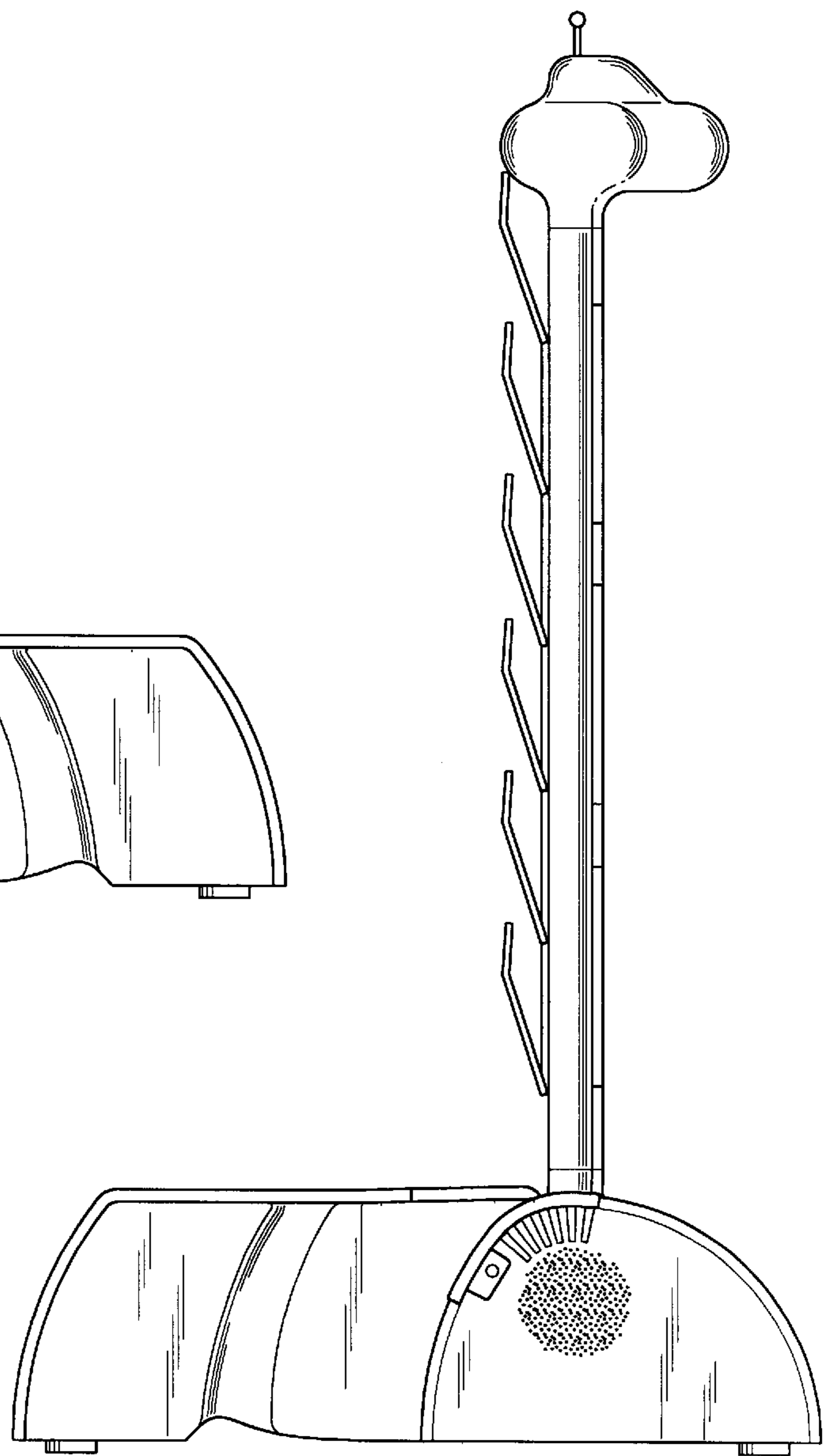


FIG. 3

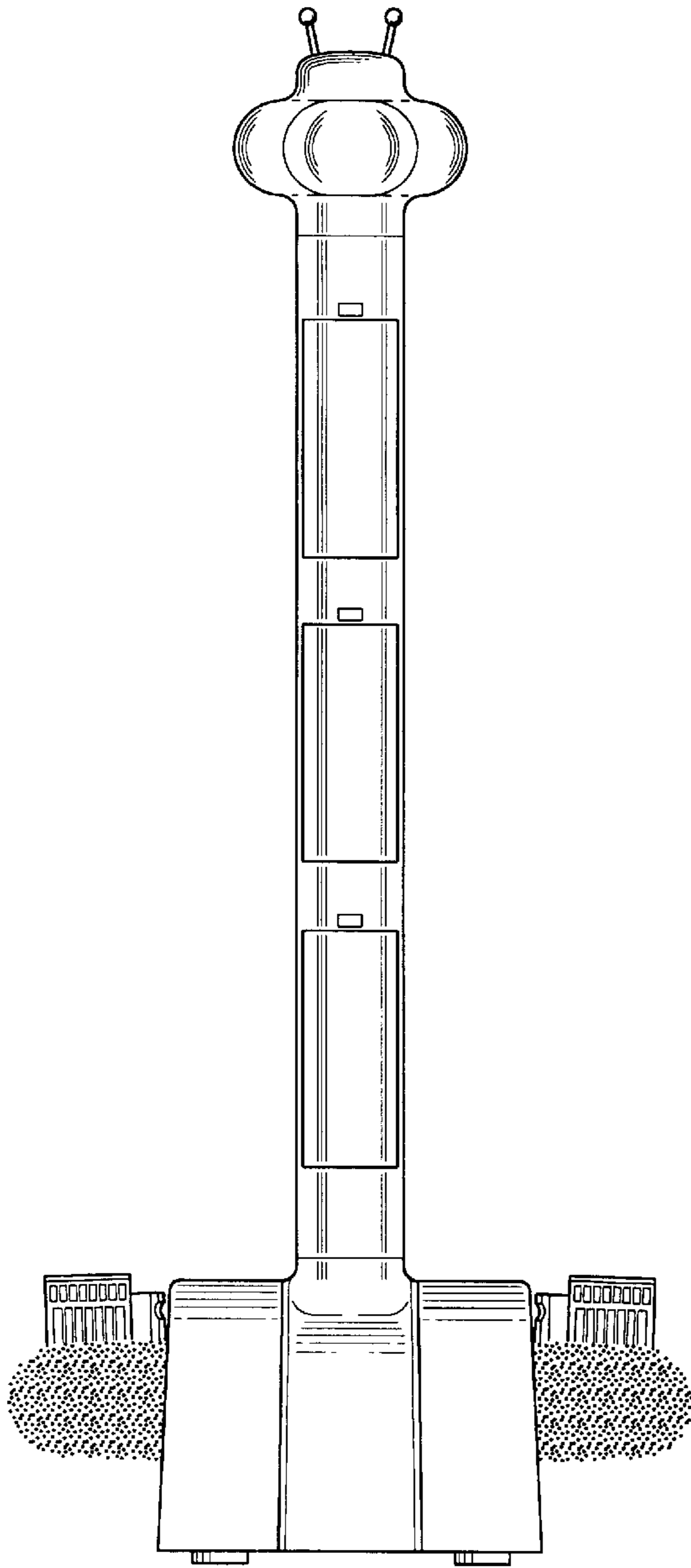


FIG. 4

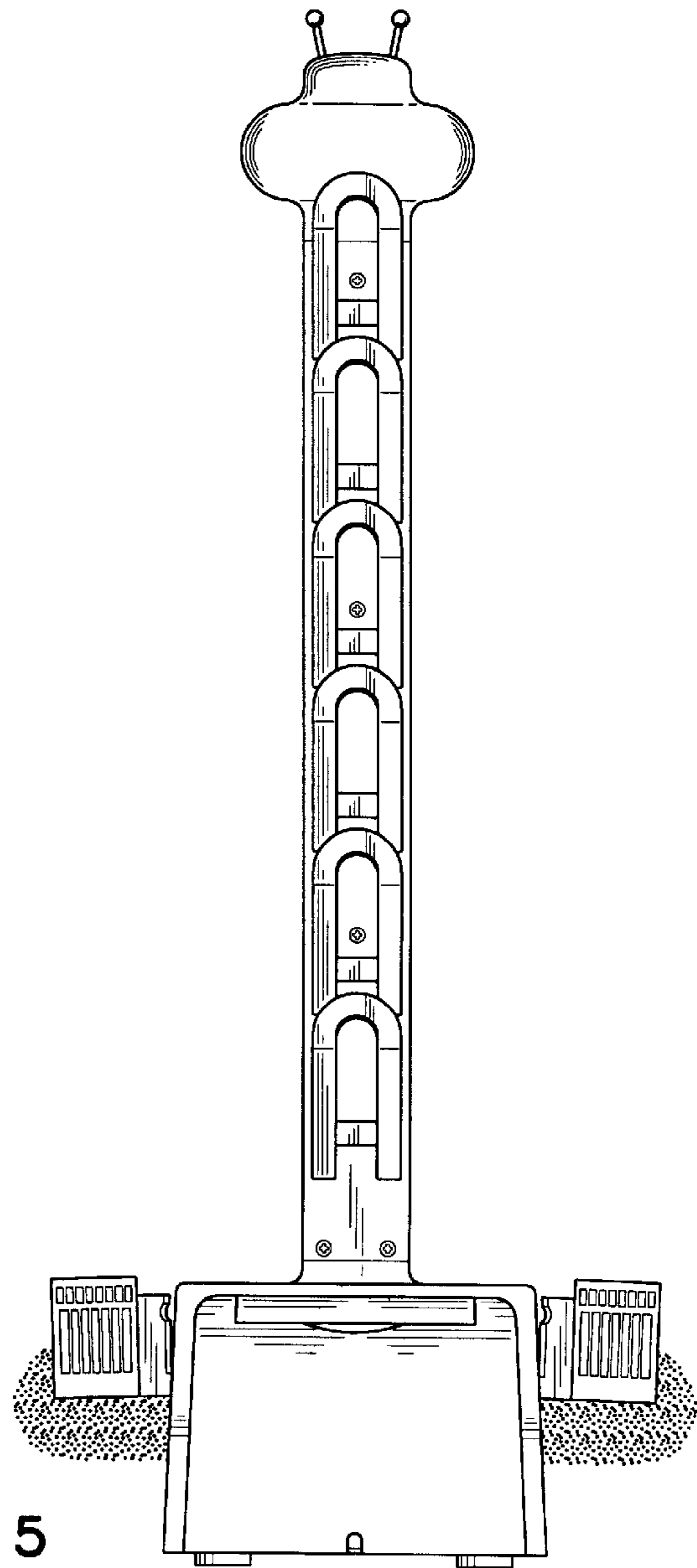


FIG. 5

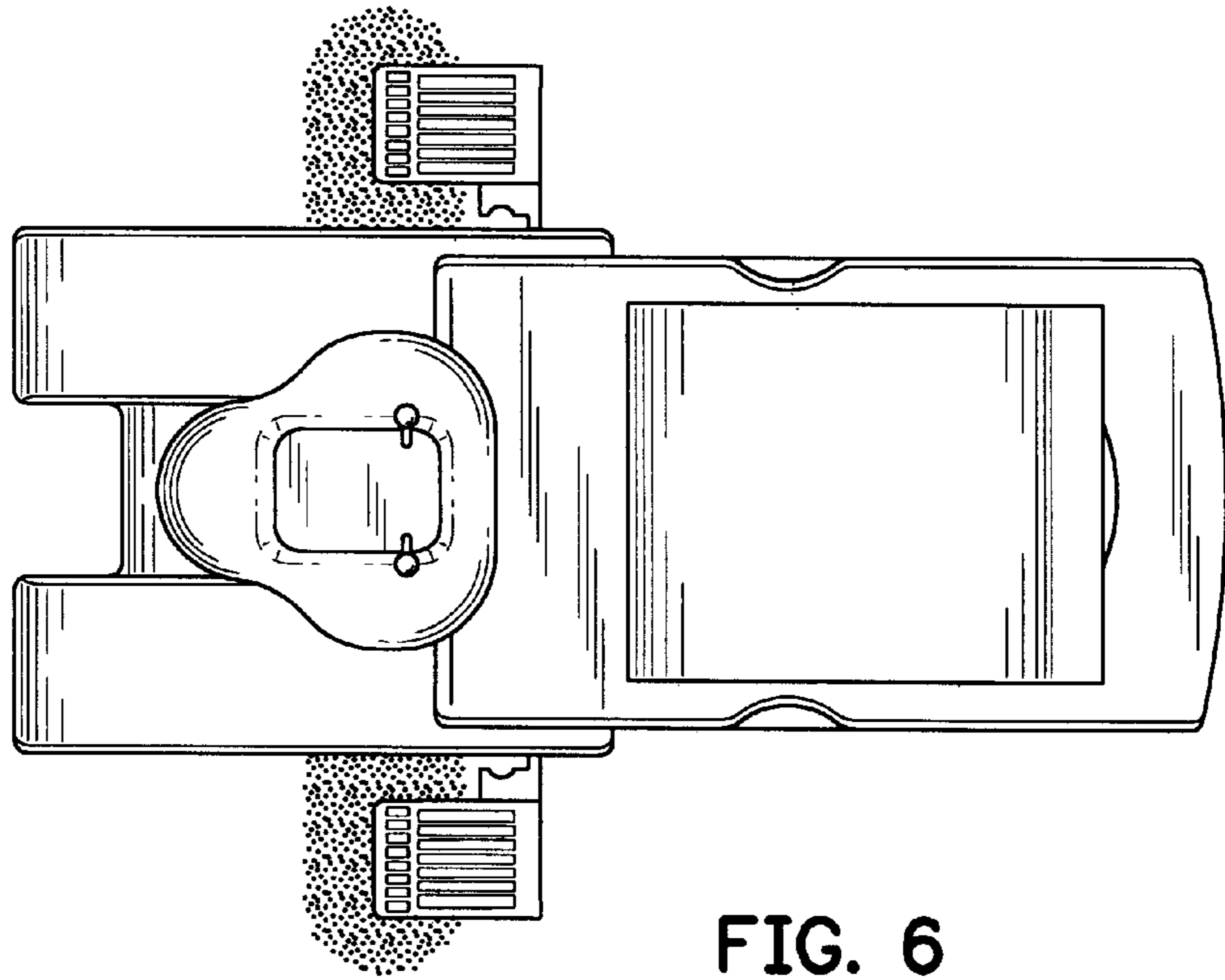


FIG. 6

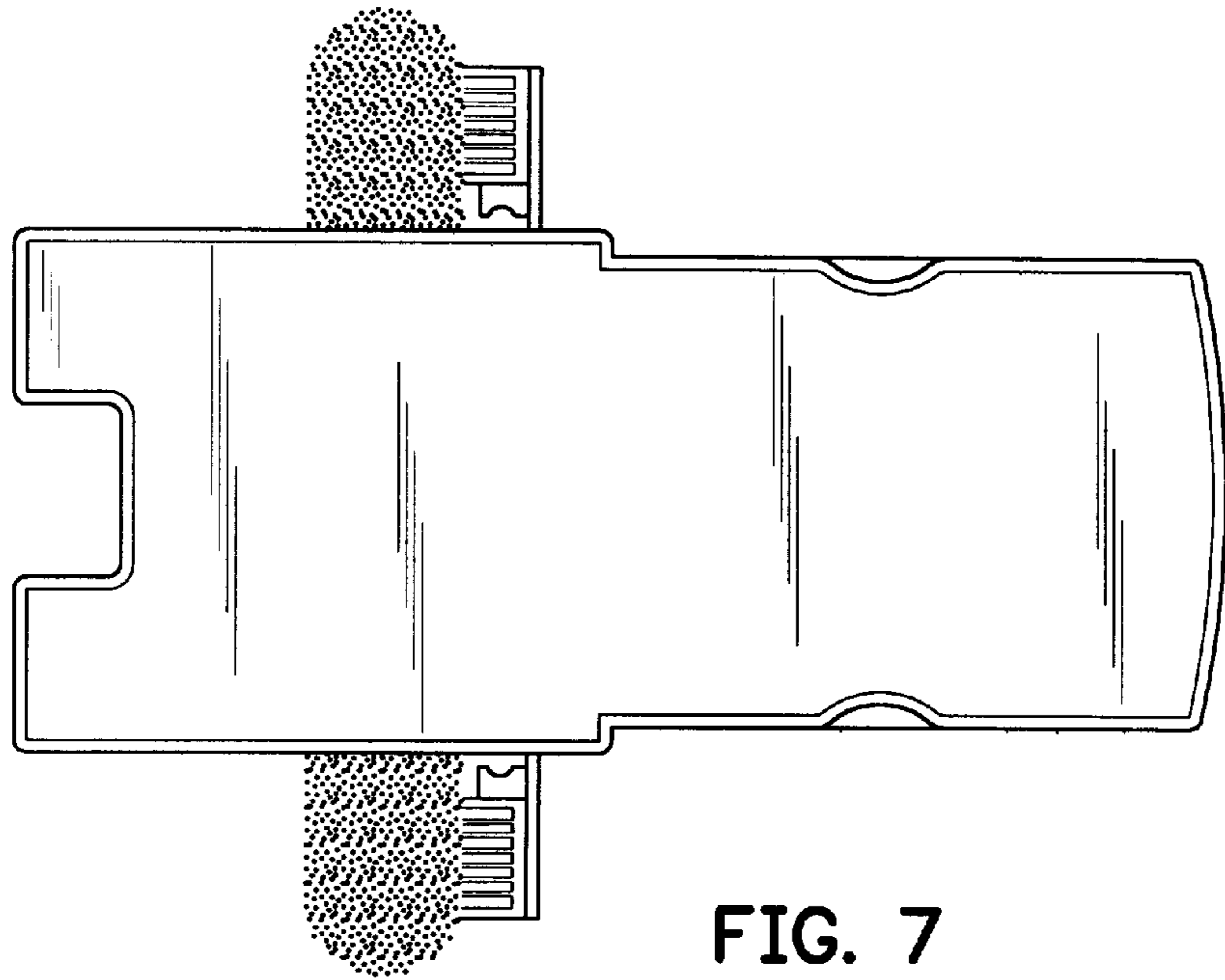


FIG. 7