



US00D436235S

(12) **United States Design Patent**
Watt

(10) **Patent No.:** **US D436,235 S**

(45) **Date of Patent:** **** Jan. 9, 2001**

(54) **PET BED**

(76) **Inventor:** **Darrell J. Watt**, 2286 Rushmore Dr.,
Marietta, GA (US) 30062

(**) **Term:** **14 Years**

(21) **Appl. No.:** **29/109,207**

(22) **Filed:** **Aug. 10, 1999**

(51) **LOC (7) Cl.** **30-06**

(52) **U.S. Cl.** **D30/118; D6/480**

(58) **Field of Search** D6/382, 393, 601,
D6/480, 470, 390, 331, 333, 596; D30/118;
119/28.5; 5/655

(56) **References Cited**

U.S. PATENT DOCUMENTS

- D. 140,243 * 2/1945 Wemyss D6/470
- D. 205,216 * 7/1966 Bell et al. D30/118
- D. 256,734 * 9/1980 Riley D30/118
- D. 289,572 * 4/1987 Wanat D30/118

- D. 289,699 * 5/1987 Runion D30/118
- D. 308,121 * 5/1990 Overturf D30/118
- D. 348,958 * 7/1994 McLellan D30/118
- D. 360,494 * 7/1995 Therriault D30/118
- D. 376,875 * 12/1996 Glickstein D30/118
- D. 379,014 * 4/1997 Woods, II D30/118
- 2,617,005 * 11/1952 Jorgensen 119/28.5
- 3,577,936 * 5/1971 Emery D6/480

* cited by examiner

Primary Examiner—Cathy Anne MacCormac

(57) **CLAIM**

The ornamental design for a pet bed, as shown.

DESCRIPTION

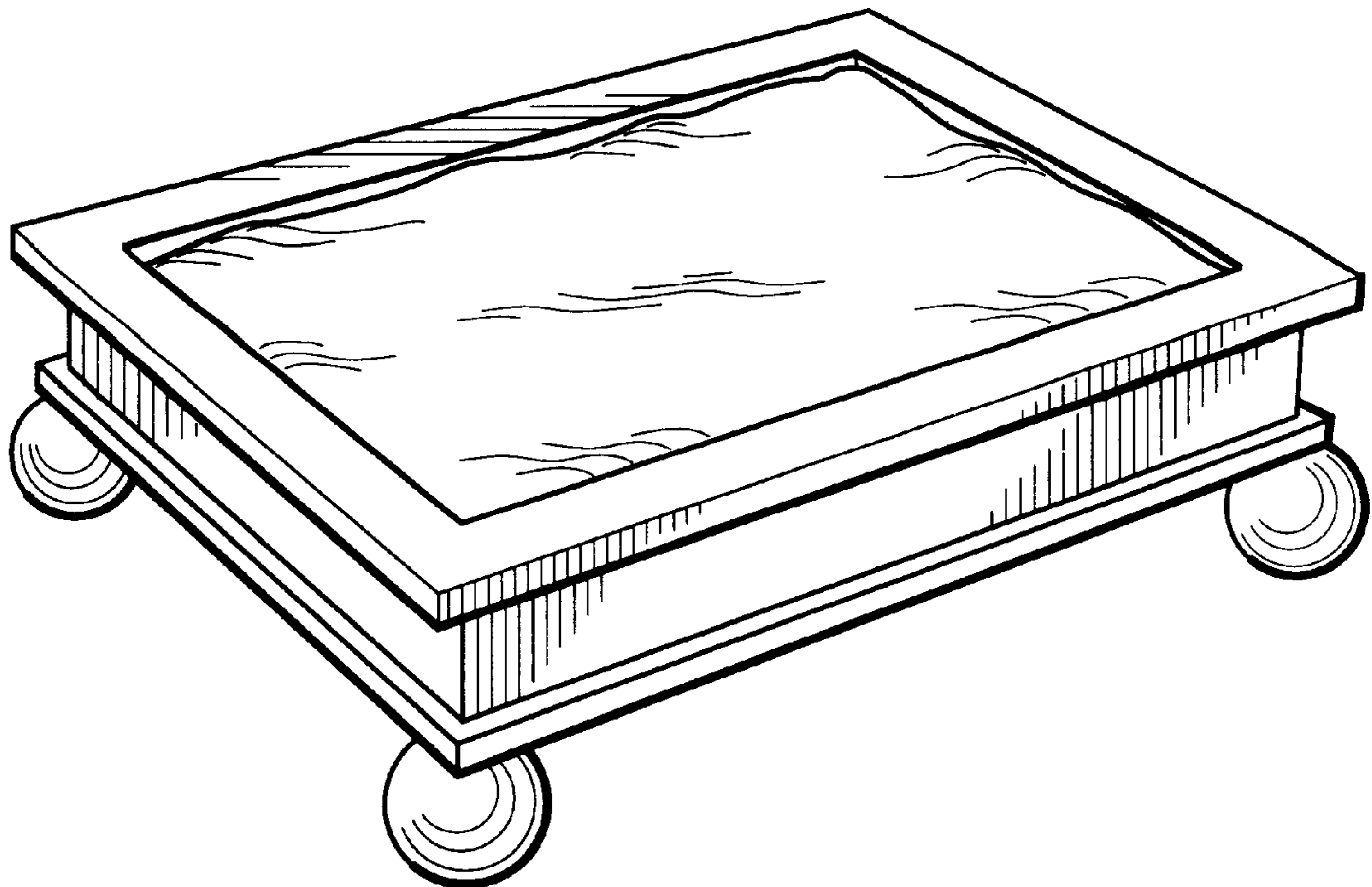
FIG. 1 is a perspective view of a pet bed showing my new design;

FIG. 2 is a Top plan View thereof;

FIG. 3 is a Front elevational View thereof; and,

FIG. 4 is a Side elevational View thereof.

1 Claim, 1 Drawing Sheet



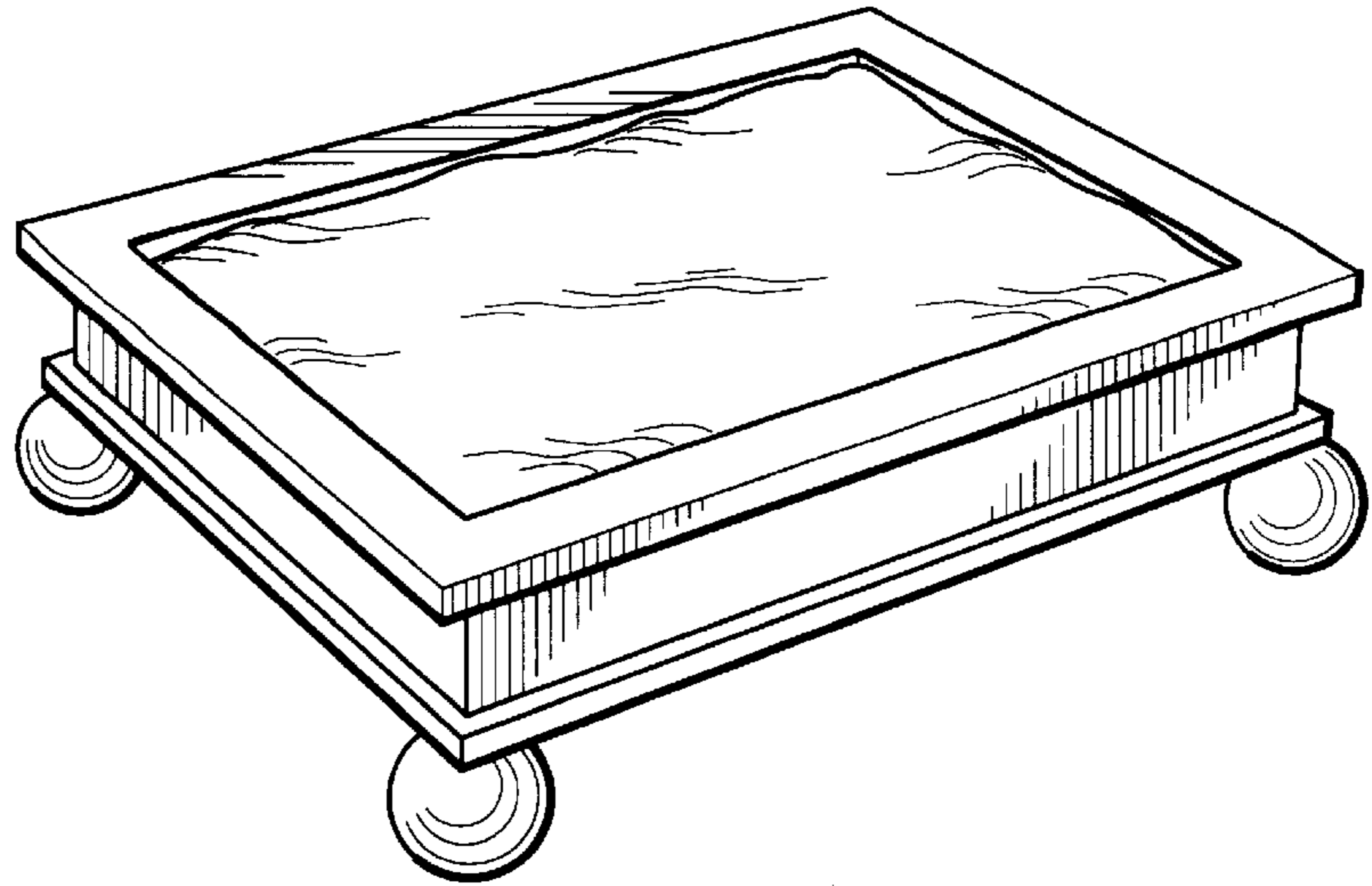


Figure 1

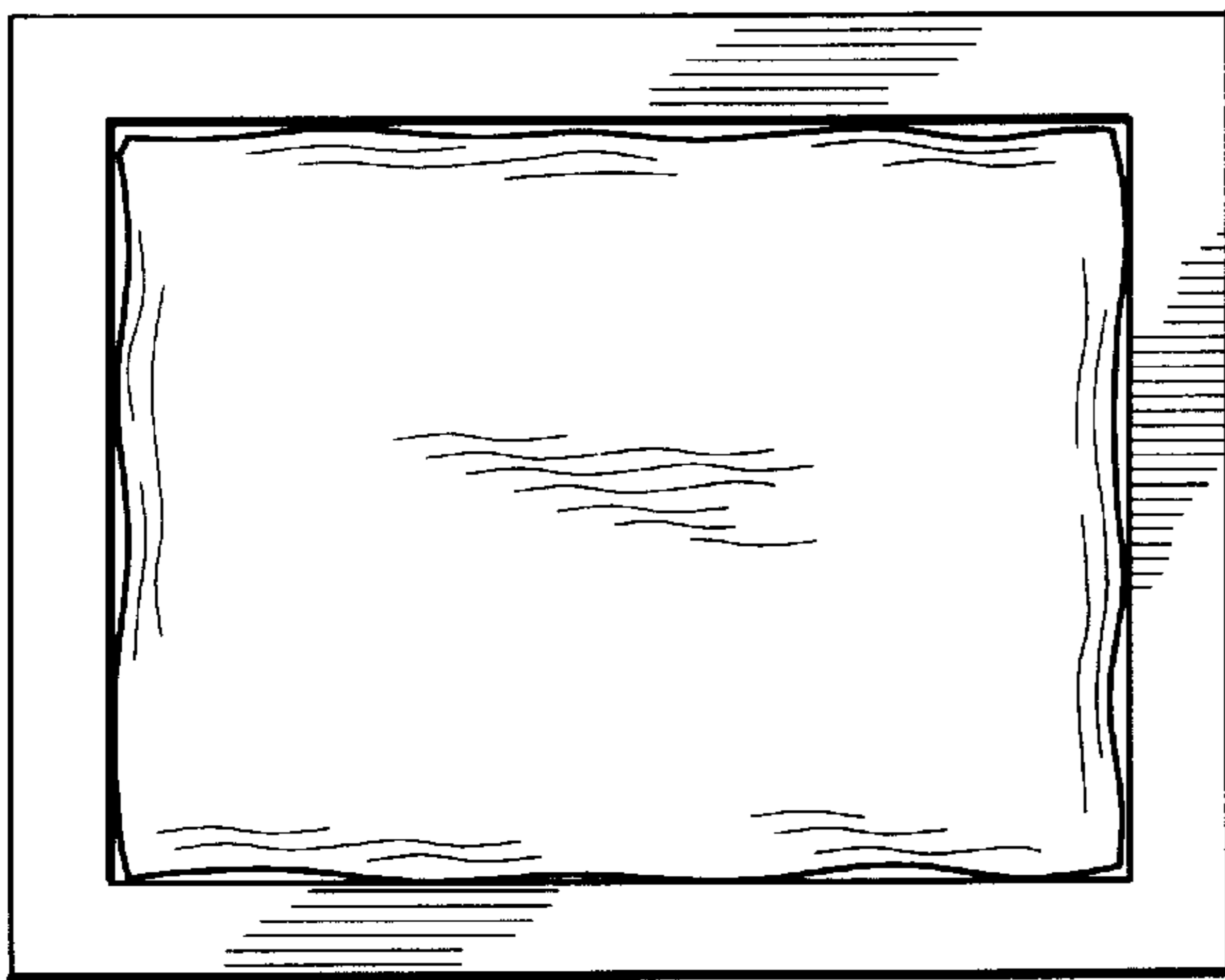


Figure 2

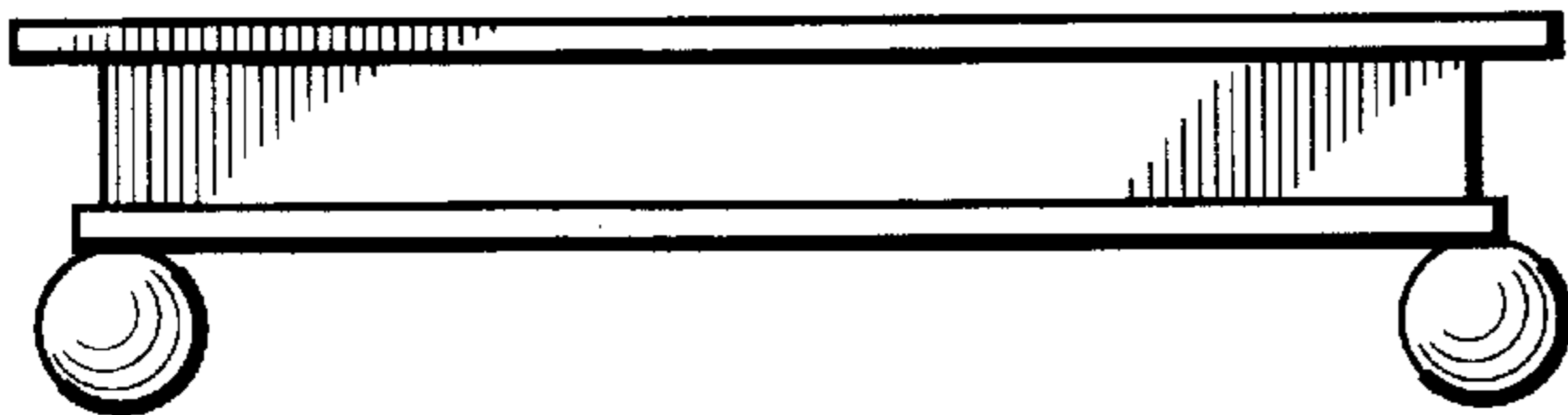


Figure 3



Figure 4