



US00D436234S

(12) **United States Design Patent**
Sáez et al.

(10) **Patent No.:** **US D436,234 S**

(45) **Date of Patent:** **** Jan. 9, 2001**

(54) **GREEN HELMET RESPIRATORY PROTECTION DEVICE**

(75) Inventors: **M. Antonia Sáez**, Madrid (ES); **David R. Schlaefter**, Wing on Life Garden (SG)

(73) Assignee: **3M Innovative Properties Company**, St. Paul, MN (US)

(**) Term: **14 Years**

(21) Appl. No.: **29/084,775**

(22) Filed: **Mar. 10, 1998**

(51) **LOC (7) Cl.** **29-02**

(52) **U.S. Cl.** **D29/122**; D29/102

(58) **Field of Search** D29/102-107, D29/110, 122; 2/410, 5, 6.6, 424, 425, 455, 9, 411; 128/202.27, 206.24, 206.17, 201.22, 201.24, 201.25, 206.27

(56) **References Cited**

U.S. PATENT DOCUMENTS

D. 190,220	*	5/1961	Clohesy	D29/102
D. 192,071	*	1/1962	Tucker	D29/104
D. 216,765	*	3/1970	DalPiaz	D29/102
D. 240,310	*	6/1976	Sinclair	D29/103
D. 277,425	*	2/1985	Higginson	D29/104
D. 299,765	*	2/1989	Lewis et al.	D29/104
D. 370,308	*	5/1996	Nilsson	D29/102
D. 375,826	*	11/1996	Summers	D2/882
D. 420,770	*	2/2000	Burns	D29/122
D. 420,771	*	2/2000	Burns	D29/122
D. 421,820	*	3/2000	Johnson	D29/122
6,035,451	*	3/2000	Burns et al.	2/424

OTHER PUBLICATIONS

Lab Safety Supply Catalog, p. 16. "Polyethylene Hard Hats". Bottom right side of page.*

Product Information: "Pureflo Powered Respirators," Helmet Integrated Systems Ltd., 13 pages.

Product information: "Cobra Powered Helmet Respirators," MSA.

Product Information: "AH29 Air Supplied Airstream," Airstream Anti Dust Helmet, Racal.

Product Information: "The Dustmaster System," Arco.

Product Information: "Breathe Easy Plus," 1 BE1=Helmet System, Racal.

Product Information: Helmet product literature, Kasco, 7 pages.

* cited by examiner

Primary Examiner—Ruth McInroy

(74) *Attorney, Agent, or Firm*—James A. Rogers

(57) **CLAIM**

The ornamental design for a green helmet respiratory protection device, as shown and described.

DESCRIPTION

FIG. 1 is a perspective view of a green helmet respiratory protection device showing our new design;

FIG. 2 is a front view thereof;

FIG. 3 is a top elevational view thereof;

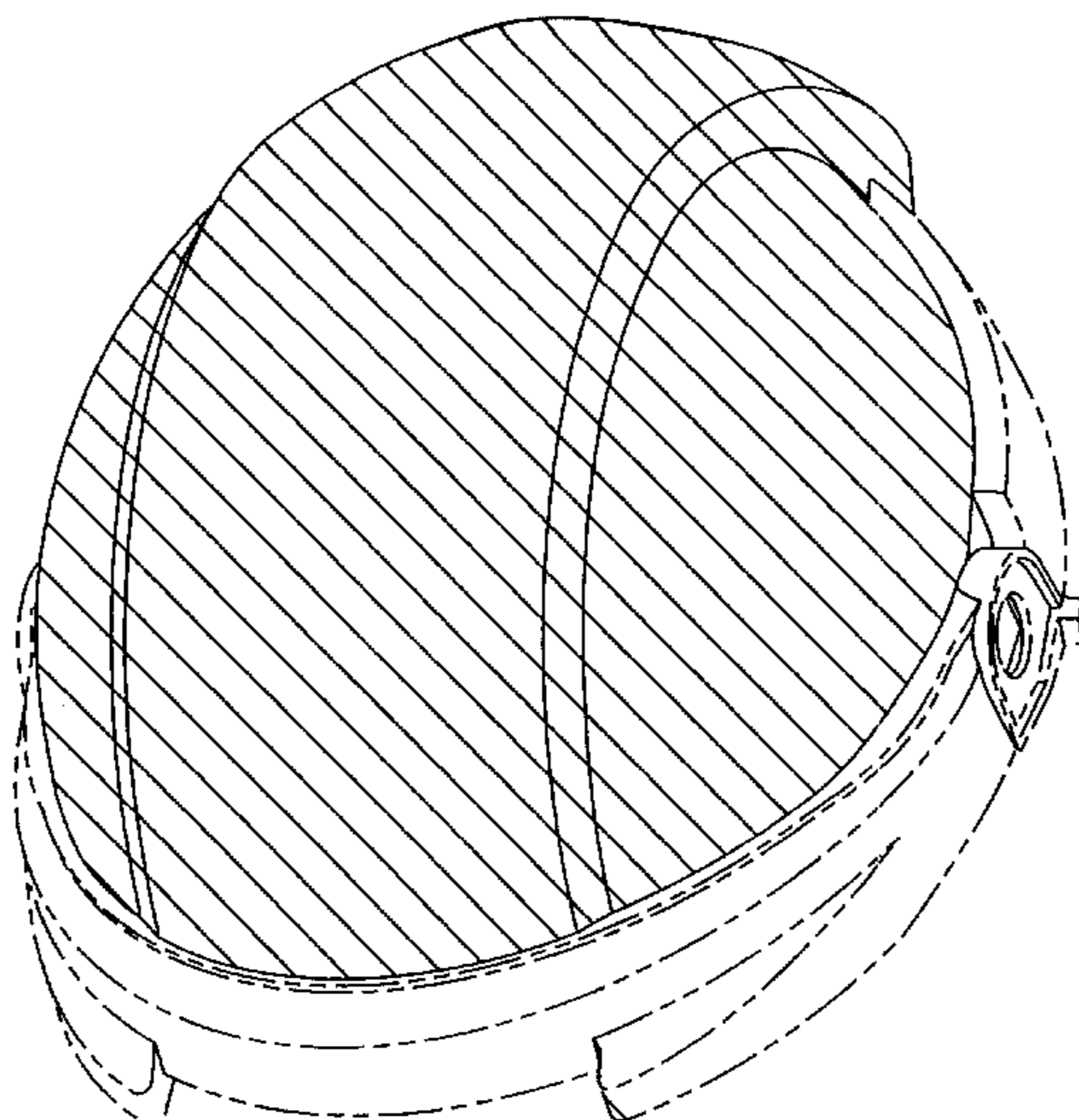
FIG. 4 is a bottom elevational view thereof;

FIG. 5 is a rear elevational view; and,

FIG. 6 is a side elevational view thereof, the opposite side being a mirror image.

The details shown in broken lines in all views are for illustrative purposes only and form no part of the claimed design. The diagonal line shading represents the color green.

1 Claim, 4 Drawing Sheets



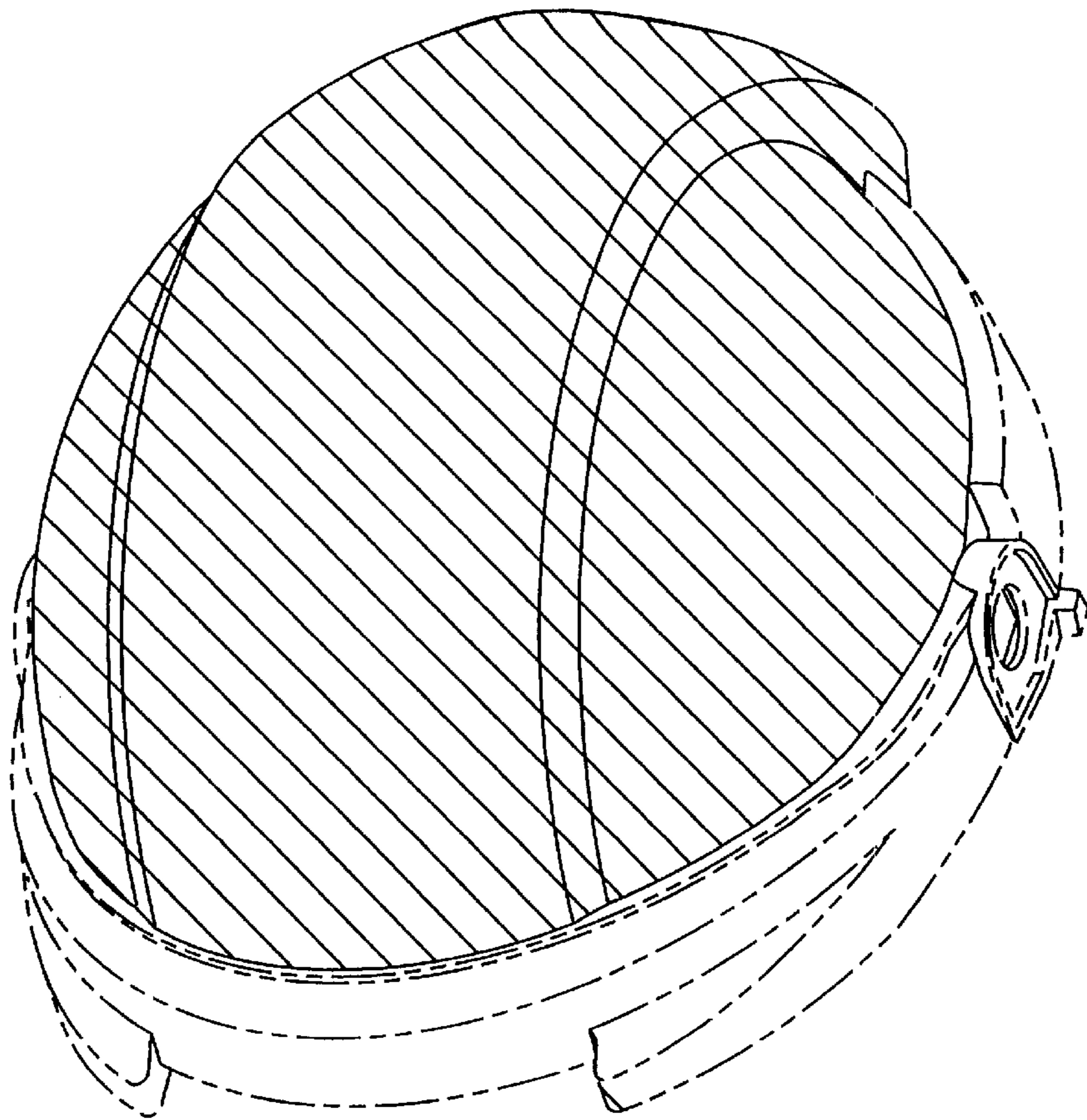


Fig. 1

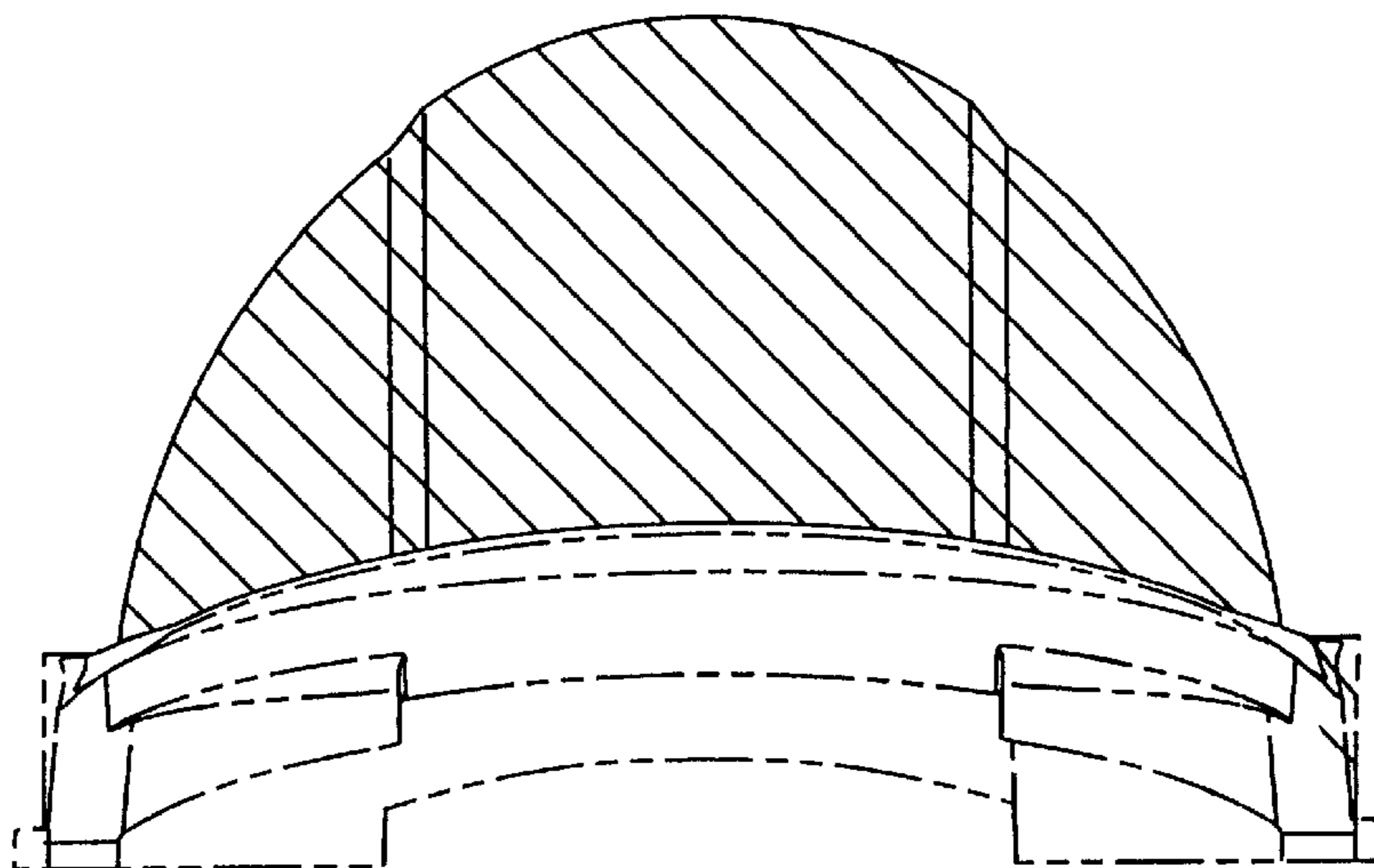


Fig. 2

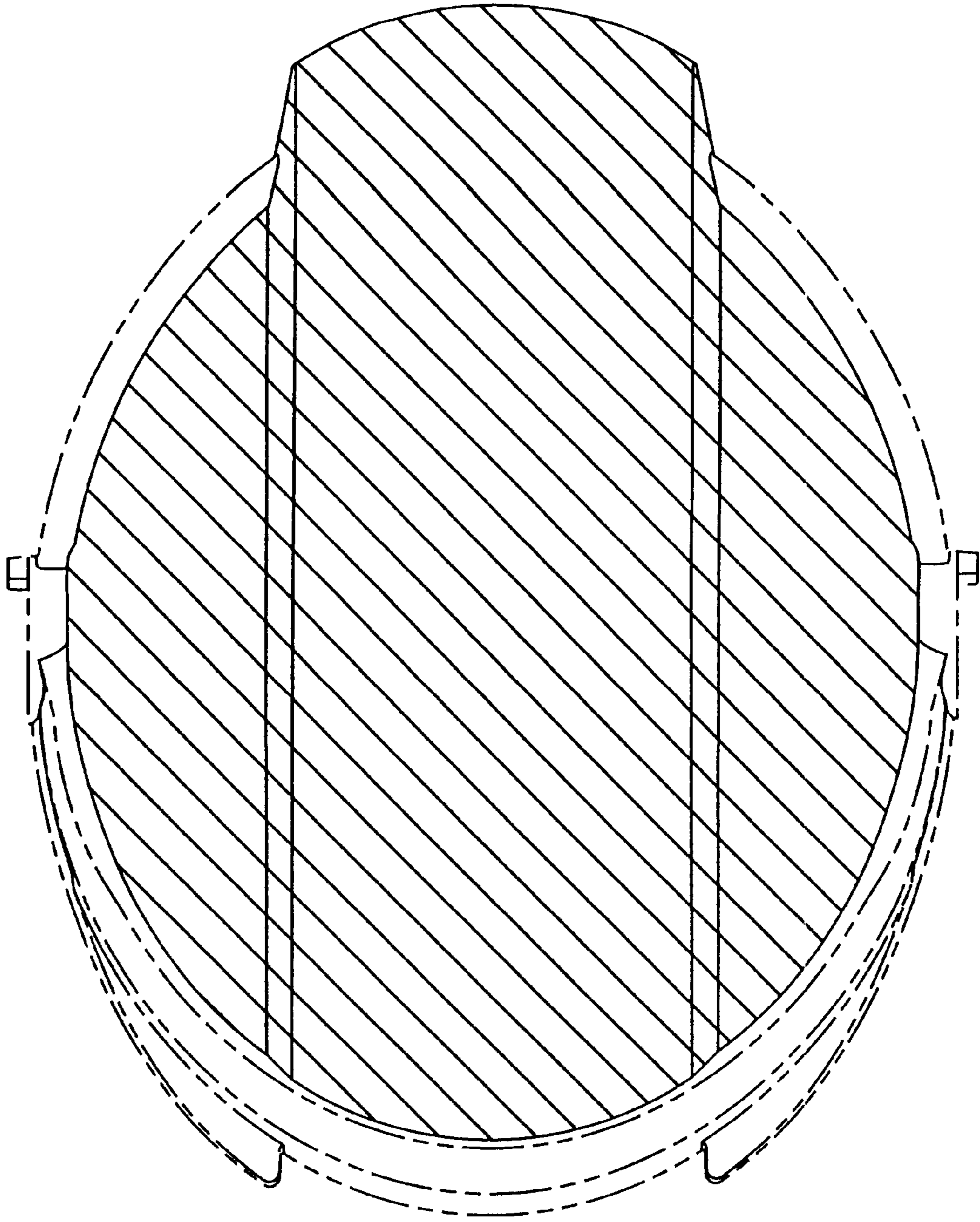


Fig. 3

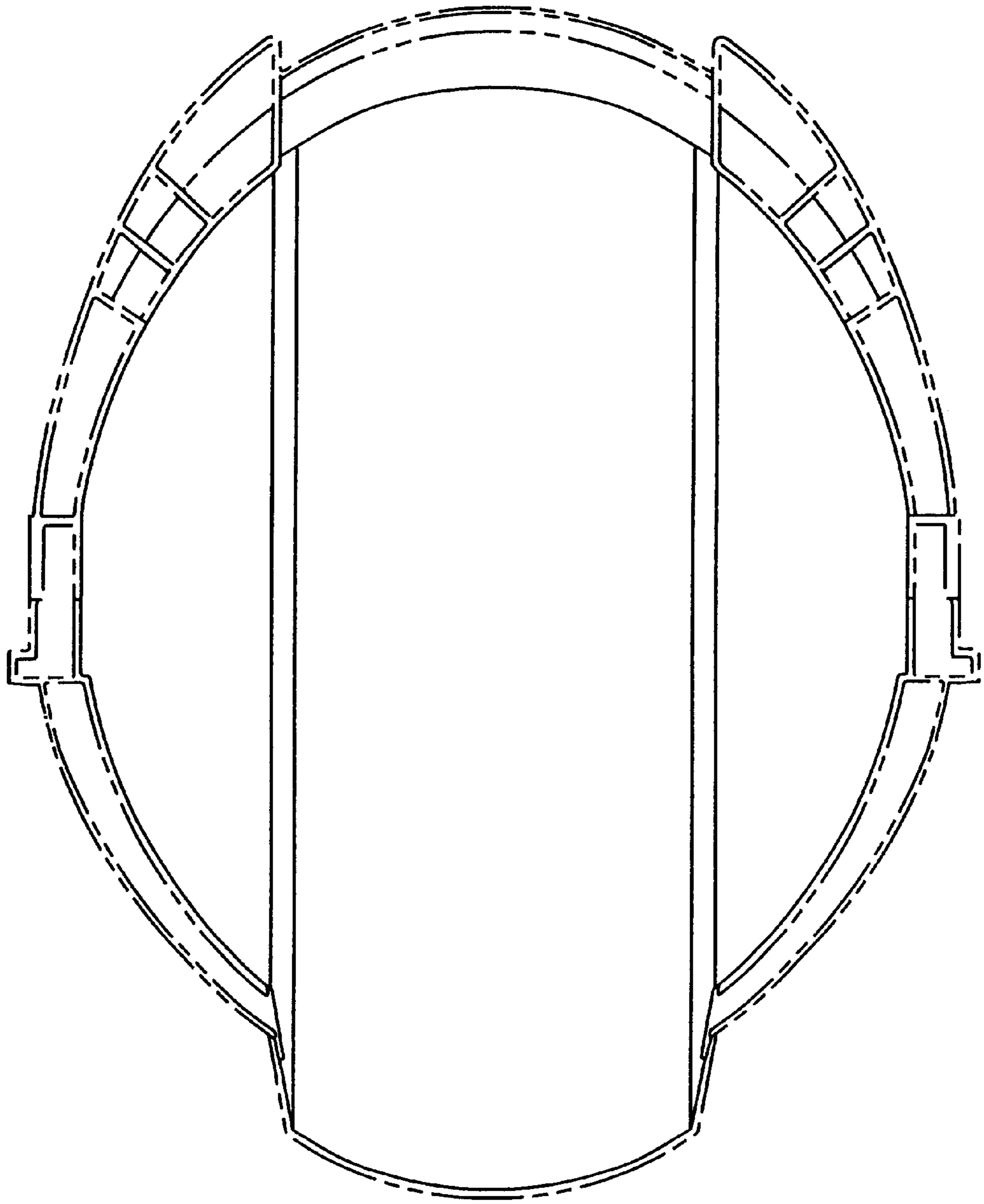


Fig. 4

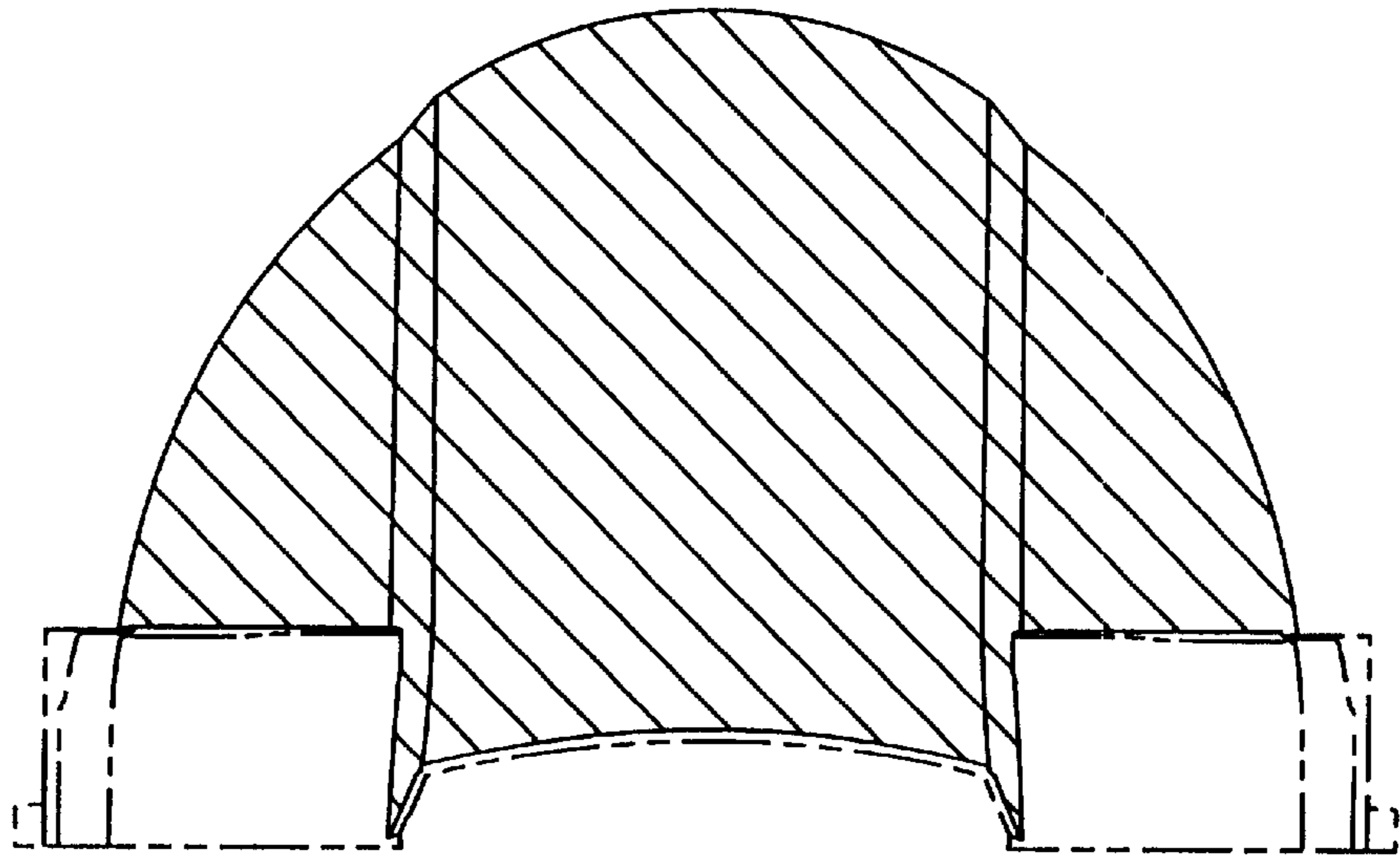


Fig. 5

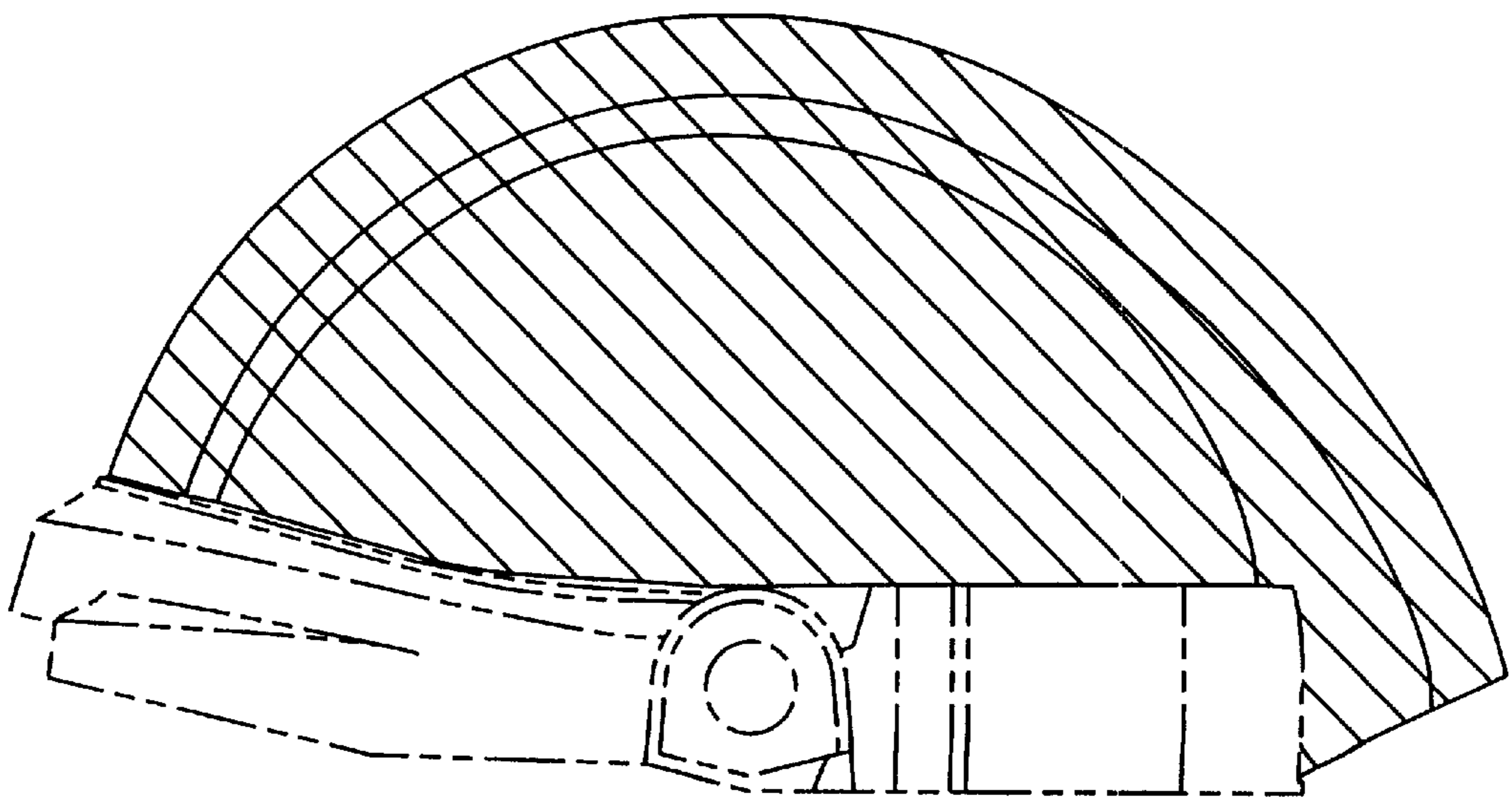


Fig. 6