



US00D436225S

(12) **United States Design Patent**
Garofano et al.

(10) **Patent No.:** **US D436,225 S**

(45) **Date of Patent:** **** Jan. 9, 2001**

(54) **COSMETIC APPLICATOR**

(75) Inventors: **Raymond Garofano**, Pelham, NY
(US); **Eileen Ann Higgins**, Secaucus,
NJ (US); **Catherine Ann Wohlfeil**,
New York, NY (US)

(73) Assignee: **Revlon Consumer Products**
Corporation, New York, NY (US)

(**) Term: **14 Years**

(21) Appl. No.: **29/115,167**

(22) Filed: **Dec. 8, 1999**

(51) **LOC (7) Cl.** **28-02**

(52) **U.S. Cl.** **D28/7**

(58) **Field of Search** D28/7, 77, 86,
D28/89, 91; 132/314, 318, 320; 206/37,
38, 222, 229, 220, 385, 386; 401/126, 89,
130, 52, 173, 82, 175

(56) **References Cited**

U.S. PATENT DOCUMENTS

D. 134,044	*	10/1942	Vaughn	D28/91
D. 238,972	*	2/1976	Greene	D28/7
D. 267,822	*	2/1983	Katz et al.	D28/86
D. 421,156	*	2/2000	Coates et al.	D28/76
D. 425,257	*	5/2000	Ackor et al.	D28/85
1,447,727	*	3/1923	Kendall	401/82
2,131,975	*	10/1938	Samstag	401/52
2,219,754	*	10/1940	Skolo	132/318

2,414,245 * 1/1947 Rudd 401/89
2,471,441 * 5/1949 Moore 132/314
5,373,940 * 12/1994 Hillelson 206/385

* cited by examiner

Primary Examiner—Paula A. Mortimer

(74) *Attorney, Agent, or Firm*—Julie Blackburn

(57) **CLAIM**

The ornamental design for a cosmetic applicator, as shown and described.

DESCRIPTION

FIG. 1: is a front perspective view of the cosmetic applicator in the closed position.

FIG. 2: is a side view of the cosmetic applicator in the closed position.

FIG. 3: is a top plan view of the cosmetic applicator in the closed position.

FIG. 4: is a bottom plan view of the cosmetic applicator in the closed position.

FIG. 5: is a front exploded view of the cosmetic applicator.

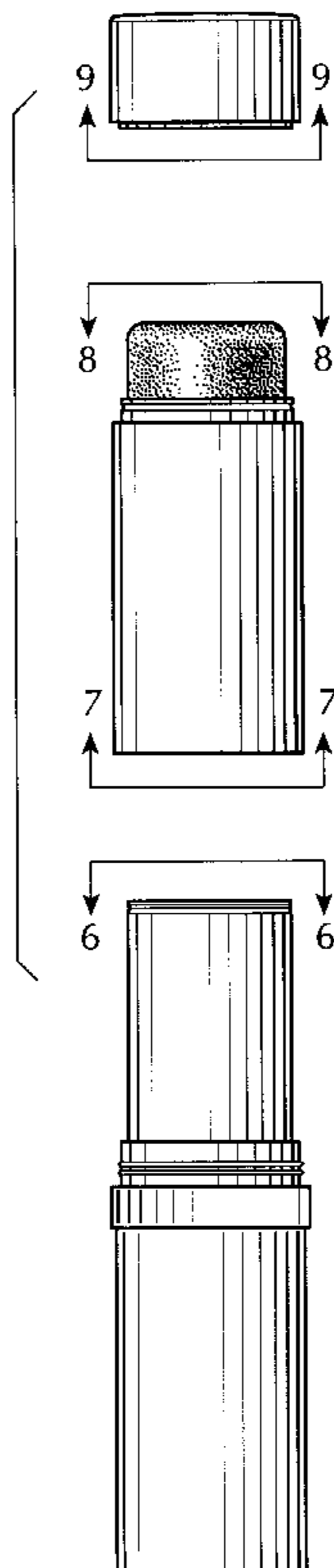
FIG. 6: is a top plan view of the cosmetic applicator taken across 6—6 of FIG. 5.

FIG. 7: is a top plan view of the cosmetic applicator taken across 7—7 of FIG. 5.

FIG. 8: is a top plan view of the cosmetic applicator taken across 8—8 of FIG. 5; and,

FIG. 9: is a top plan view of the cosmetic applicator taken across 9—9 of FIG. 5.

1 Claim, 2 Drawing Sheets



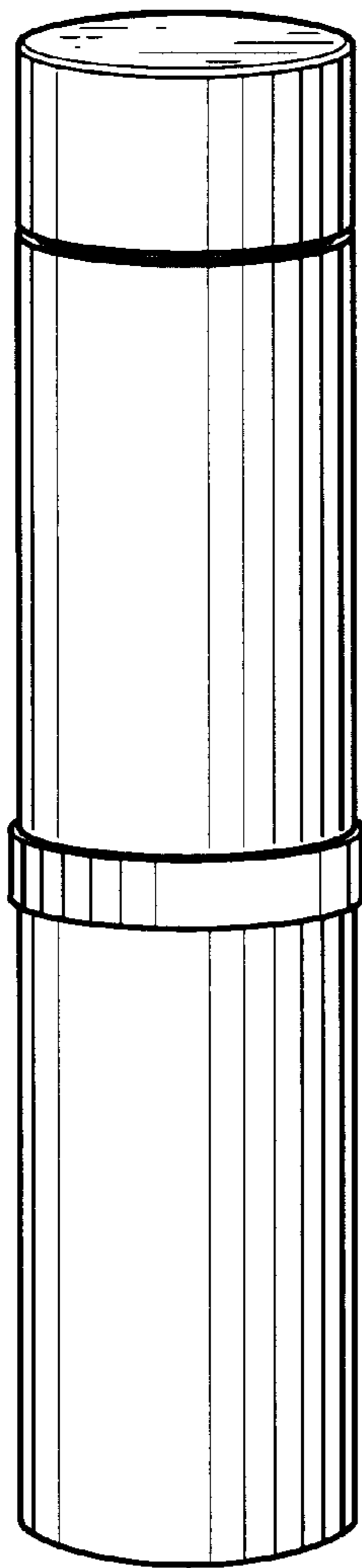


FIG. 1

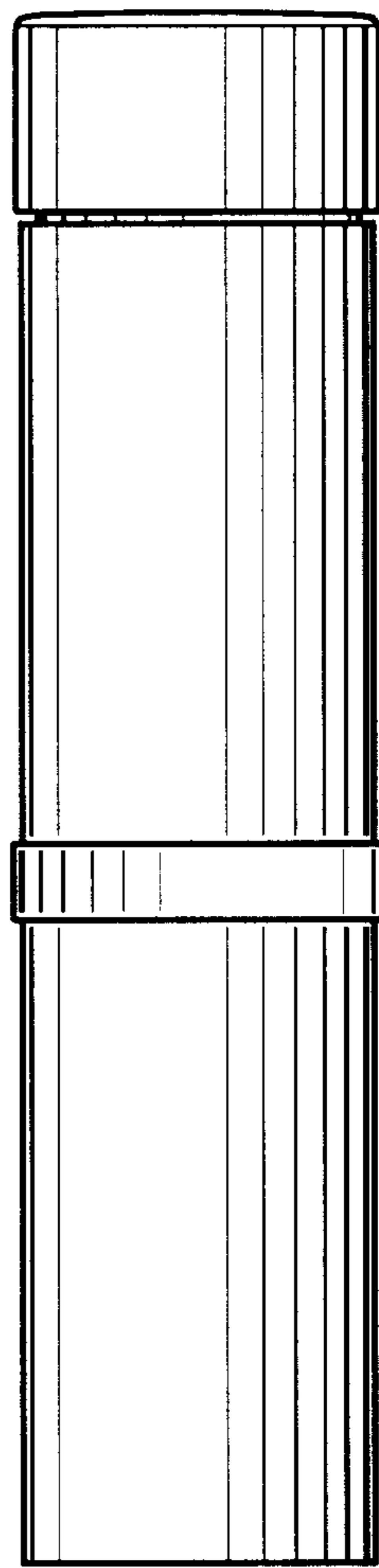


FIG. 2

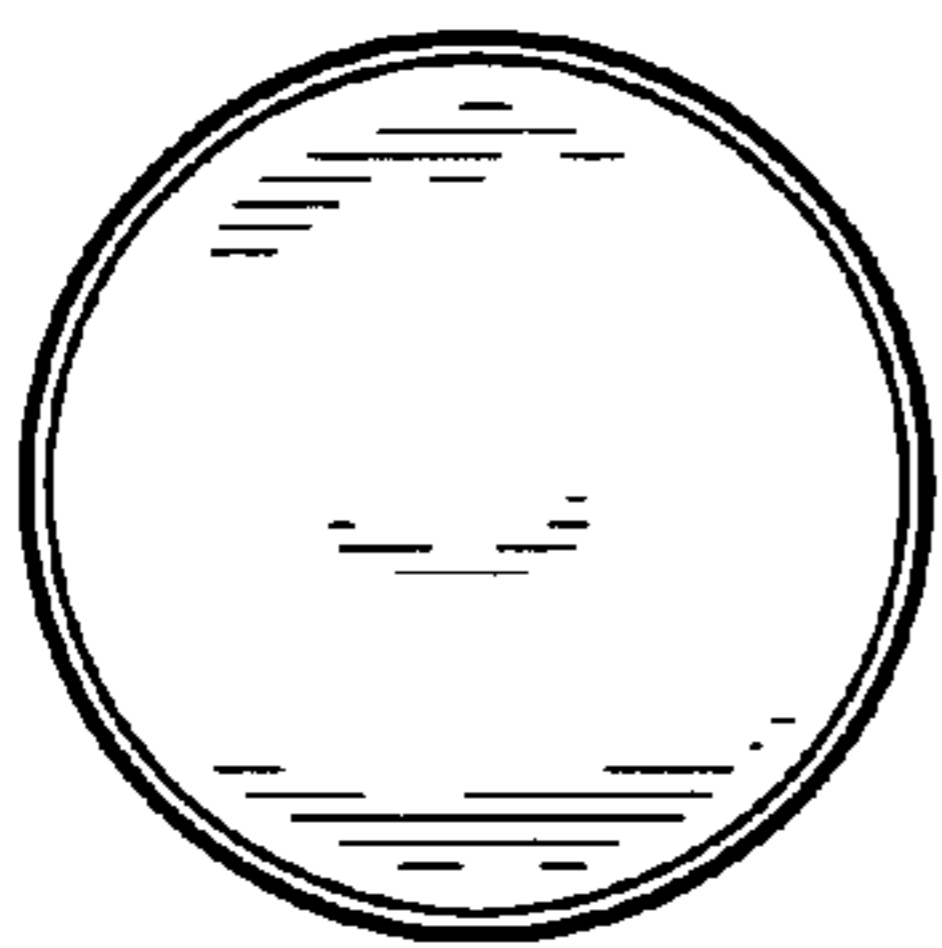


FIG. 3

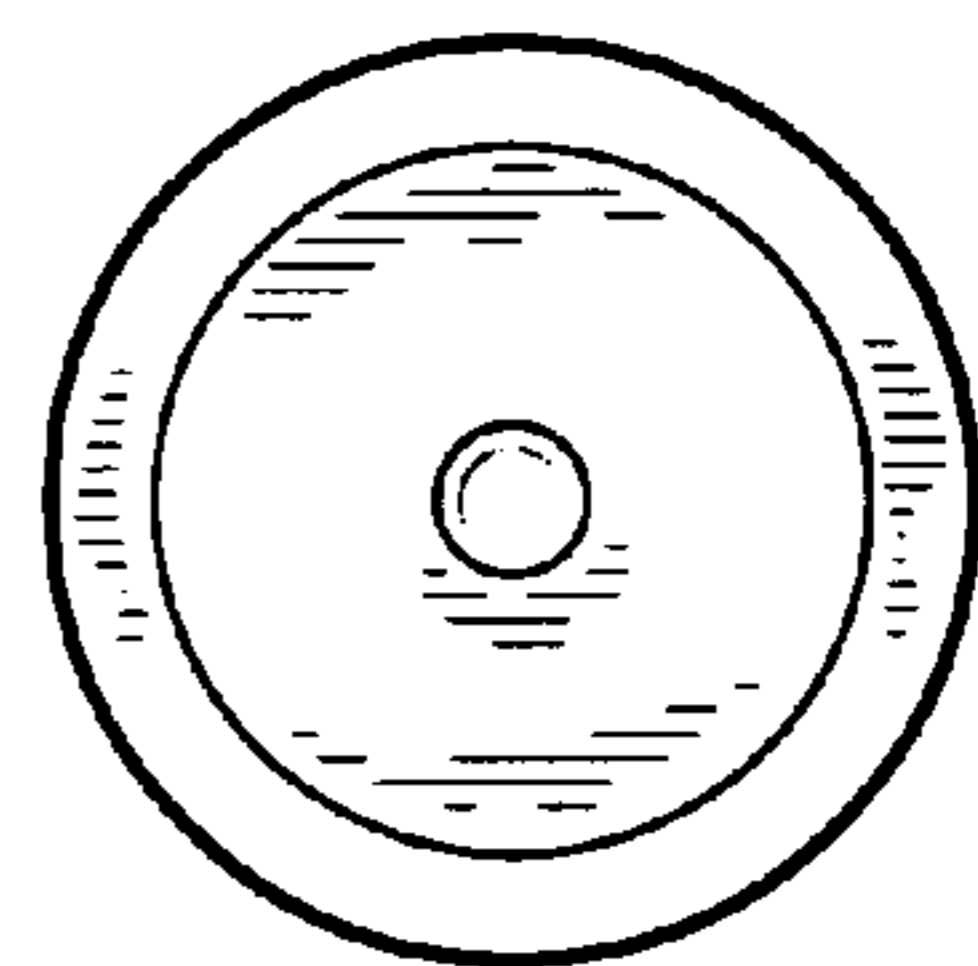


FIG. 4

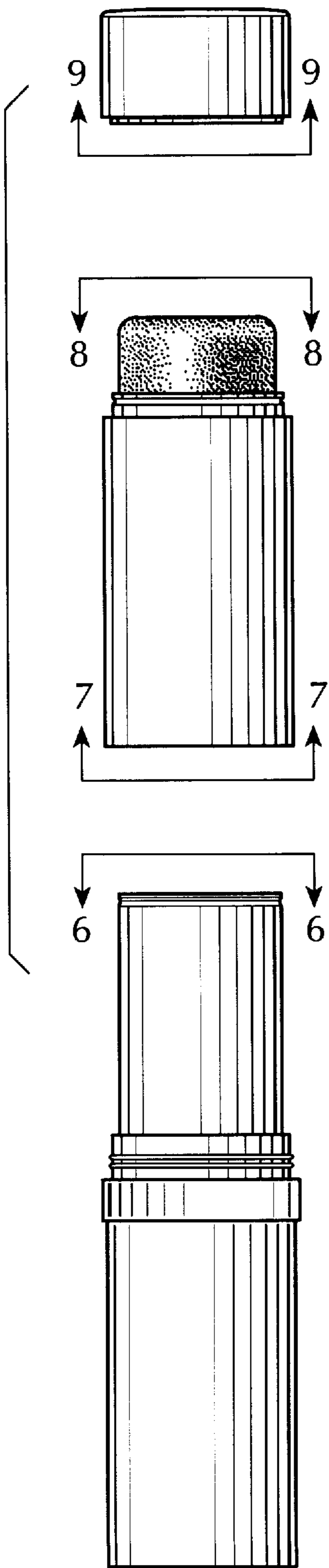


FIG. 5

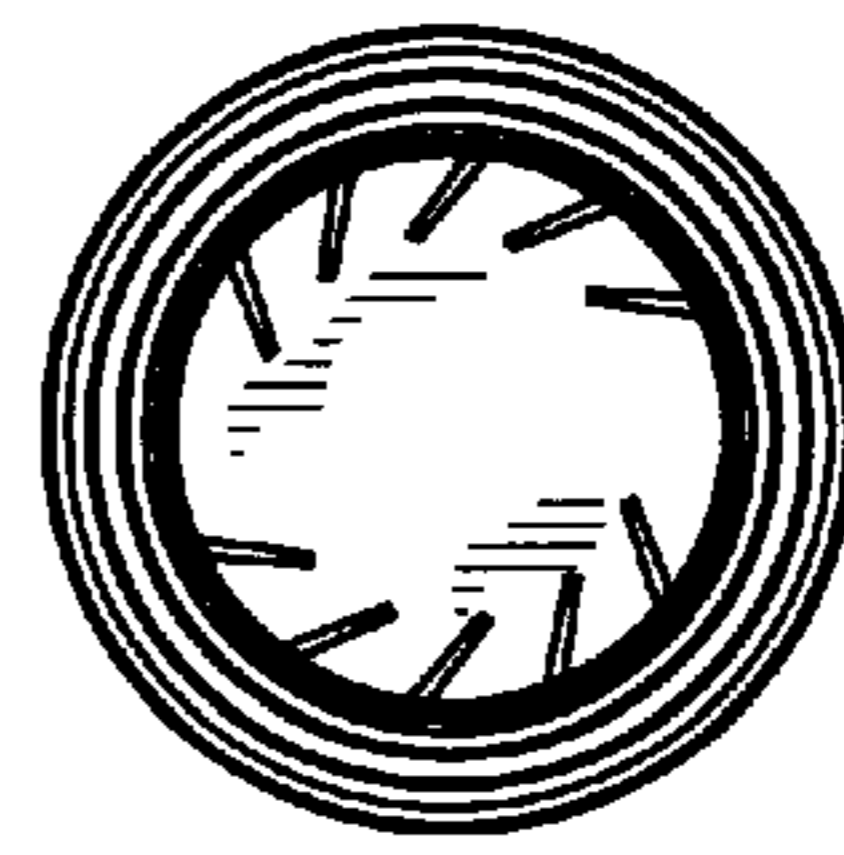


FIG. 6

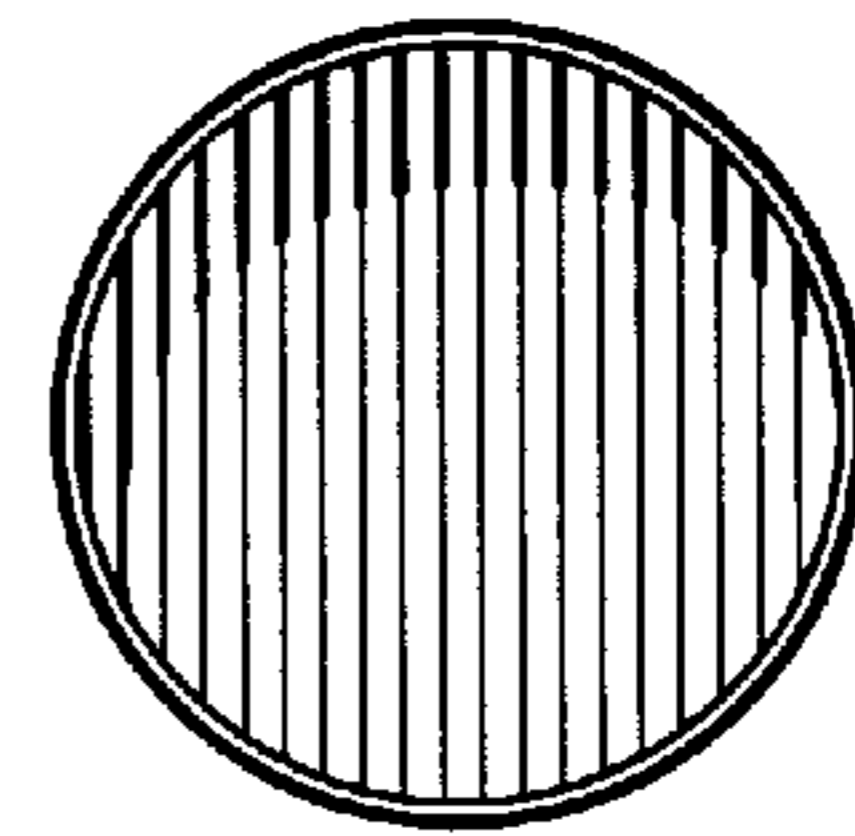


FIG. 7

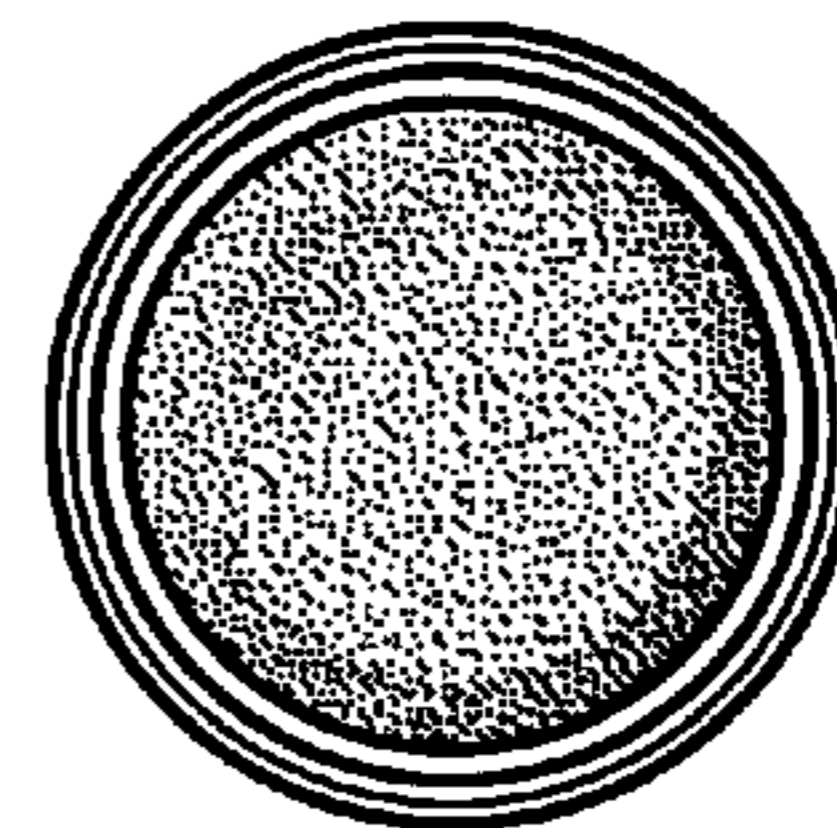


FIG. 8

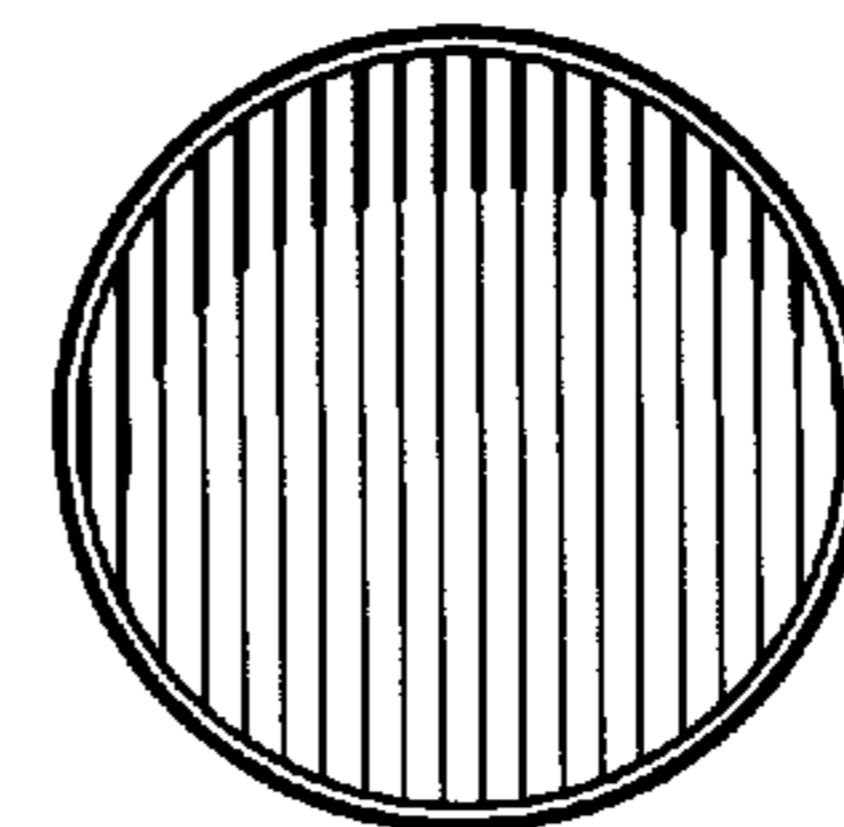


FIG. 9