



US00D436224S

(12) **United States Design Patent**
Gardner et al.

(10) **Patent No.:** **US D436,224 S**
(45) **Date of Patent:** **** Jan. 9, 2001**

(54) **PLAY SYSTEM**

D. 360,927 8/1995 VanDeusen .
D. 361,116 8/1995 Shaneour .
D. 415,545 * 10/1999 Sutton et al. D21/820

(75) Inventors: **Michael Gardner; Klaudia Gardner,**
both of Hudson, OH (US)

* cited by examiner

(73) Assignee: **DinoGym Playsystems, Inc.,** Hudson,
OH (US)

Primary Examiner—Mitchell Siegel
(74) *Attorney, Agent, or Firm*—Renner, Otto, Boisselle &
Sklar

(**) Term: **14 Years**

(57) **CLAIM**

We claim the ornamental design for a play system, as shown.

(21) Appl. No.: **29/119,959**

DESCRIPTION

(22) Filed: **Mar. 10, 2000**

(51) **LOC (7) Cl.** **21-03**

(52) **U.S. Cl.** **D27/827; D21/825; D21/820**

(58) **Field of Search** D21/811, 814,
D21/818–827; 482/35, 36, 116–125

FIG. 1 is a perspective view of a play system, the front-left portion thereof being in the foreground, showing our new design;

FIG. 2 is a perspective view thereof, the rear-left portion thereof being shown in the foreground;

FIG. 3 is a perspective view thereof, front-right portion thereof being shown in the foreground;

FIG. 4 is a perspective view thereof, the rear-right portion thereof being shown in the foreground;

FIG. 5 is a right side elevational view thereof;

FIG. 6 is a rear elevational view thereof;

FIG. 7 is a left side elevational view thereof;

FIG. 8 is a front elevational view thereof;

FIG. 9 is a top plan view thereof; and,

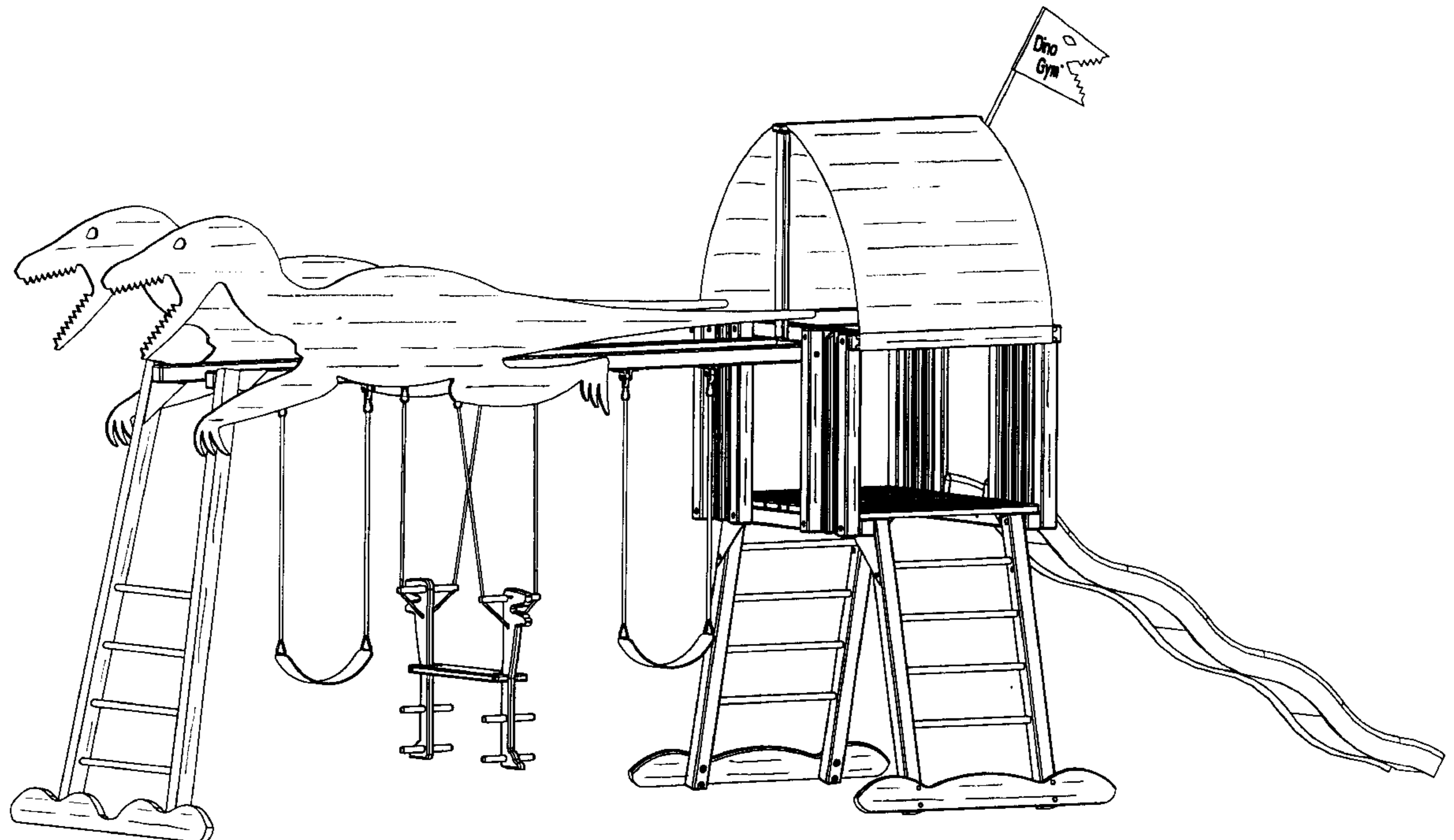
FIG. 10 is a bottom plan view thereof.

(56) **References Cited**

U.S. PATENT DOCUMENTS

D. 271,037 10/1983 Gordon .
D. 274,450 6/1984 Gordon .
D. 281,447 * 11/1985 Gordon D21/822
D. 347,458 * 5/1994 Cunard et al. D21/818
D. 357,300 4/1995 Maynard .

1 Claim, 10 Drawing Sheets



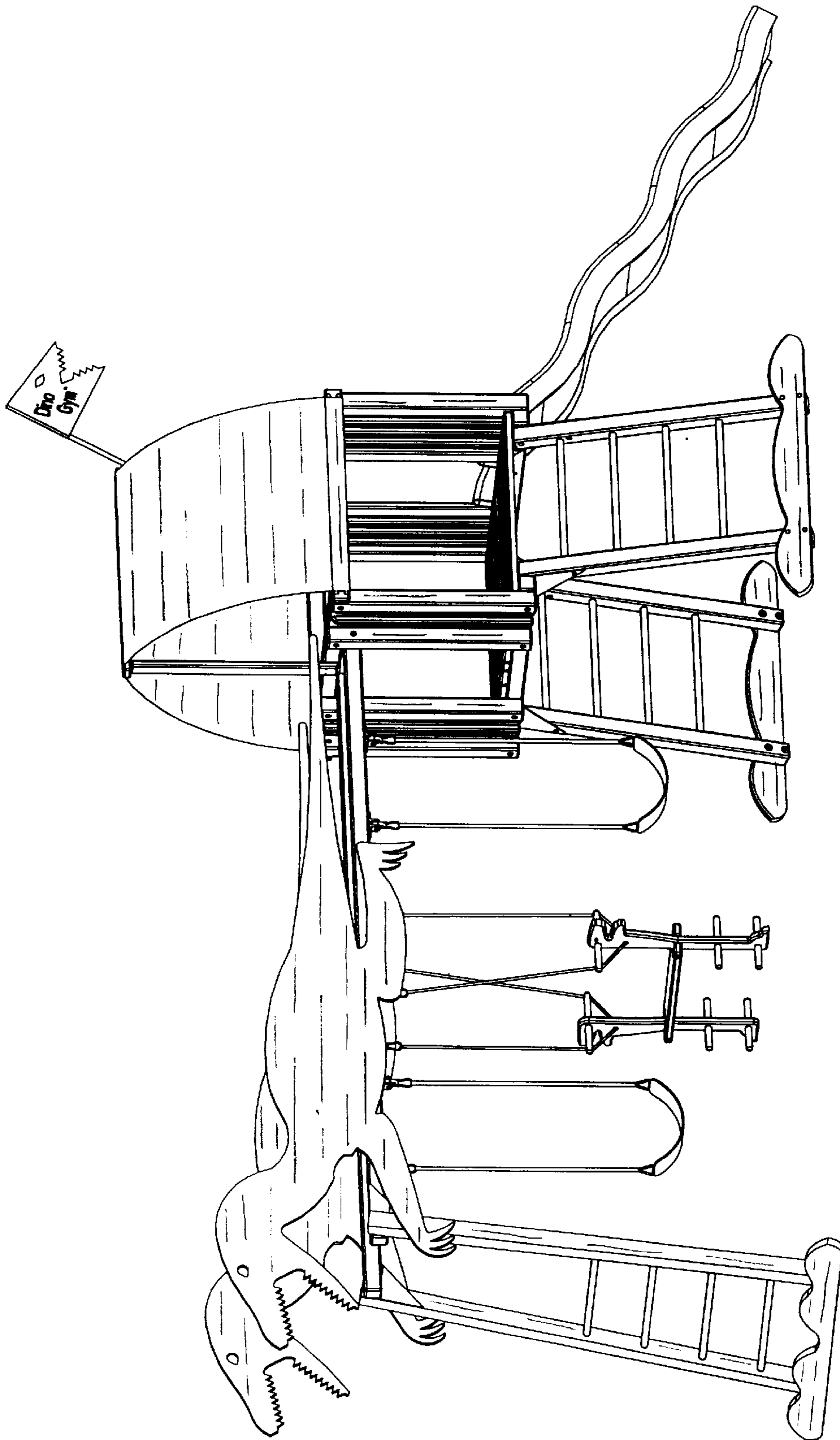


FIG. 1

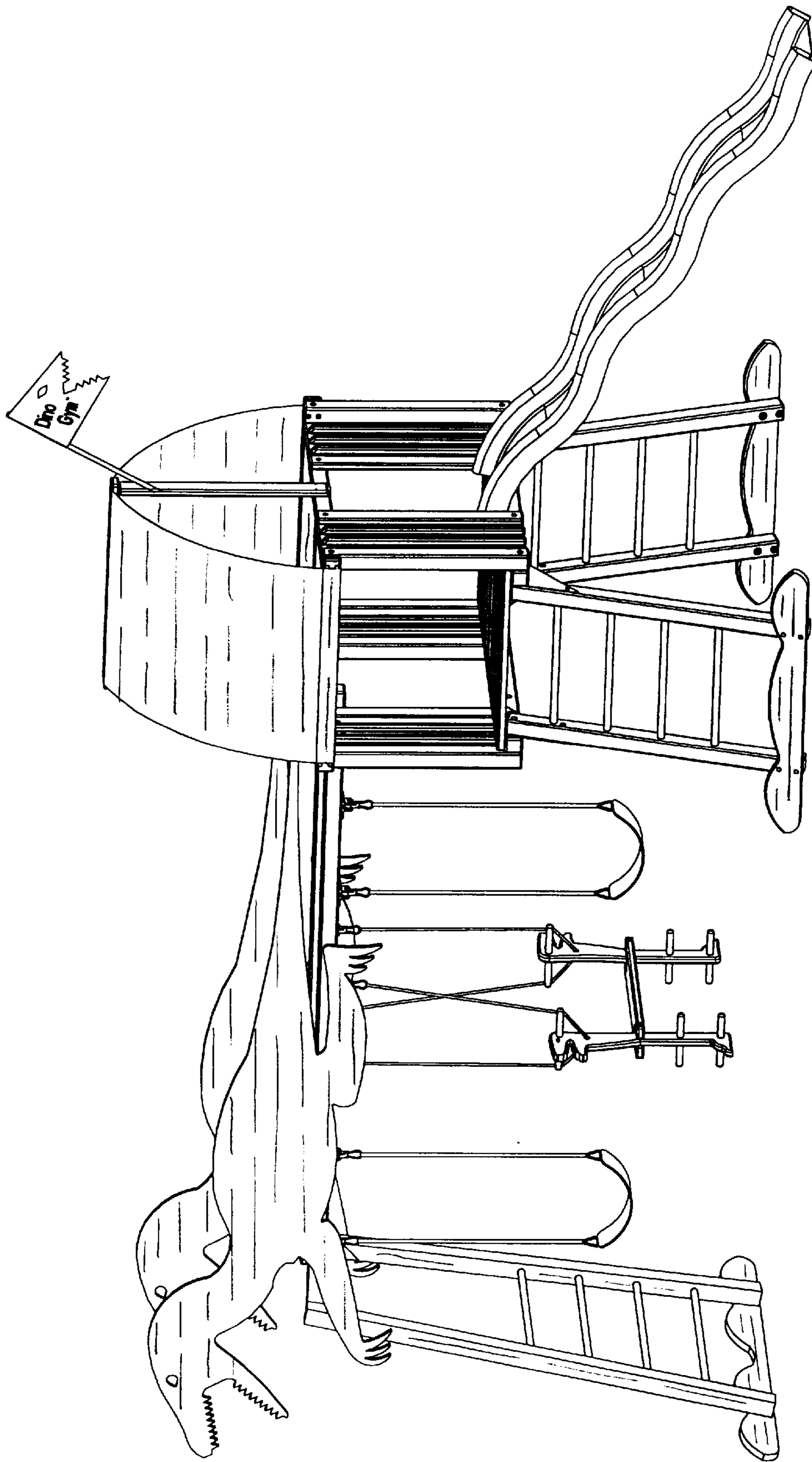


FIG. 2

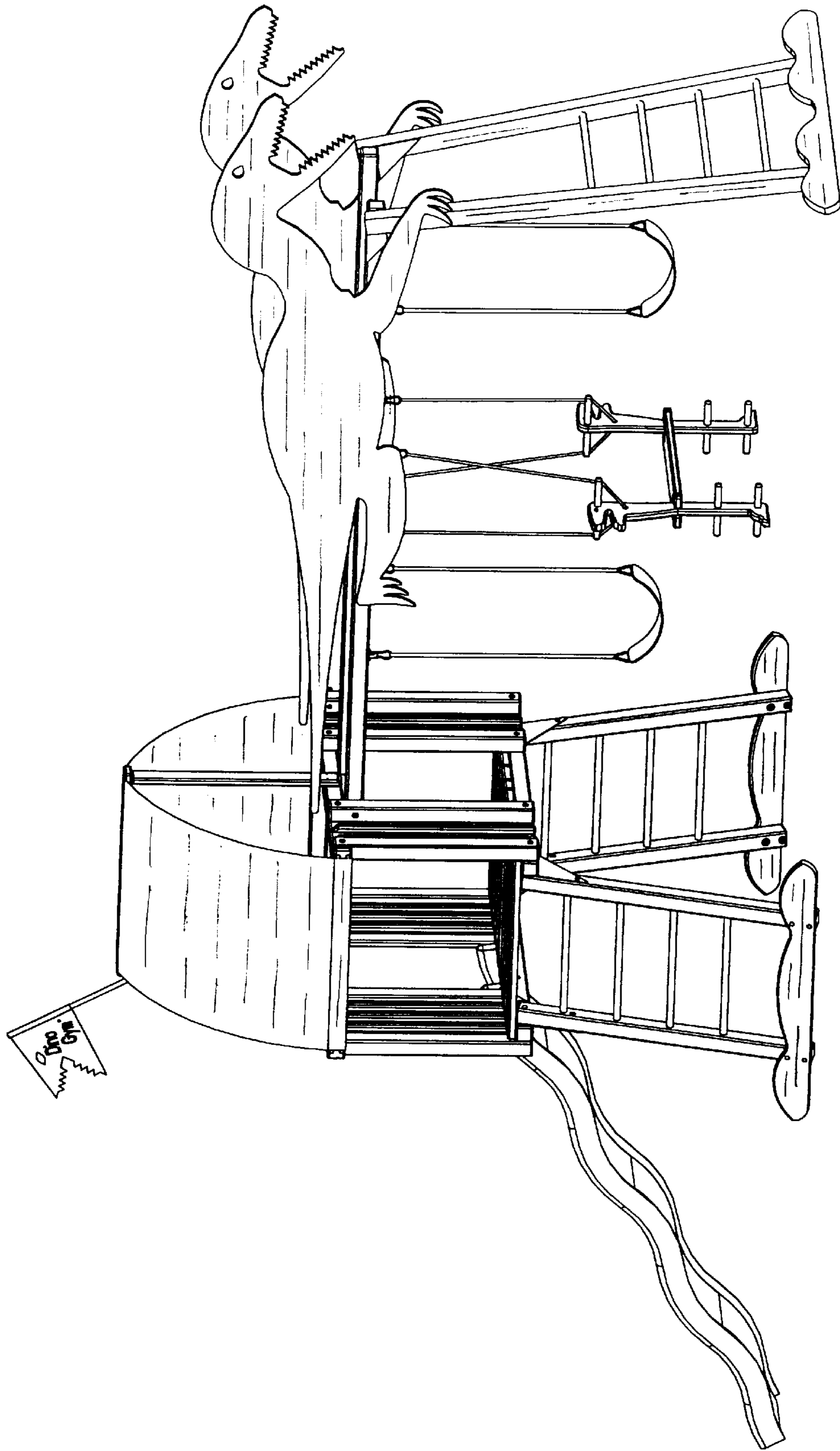


FIG. 3

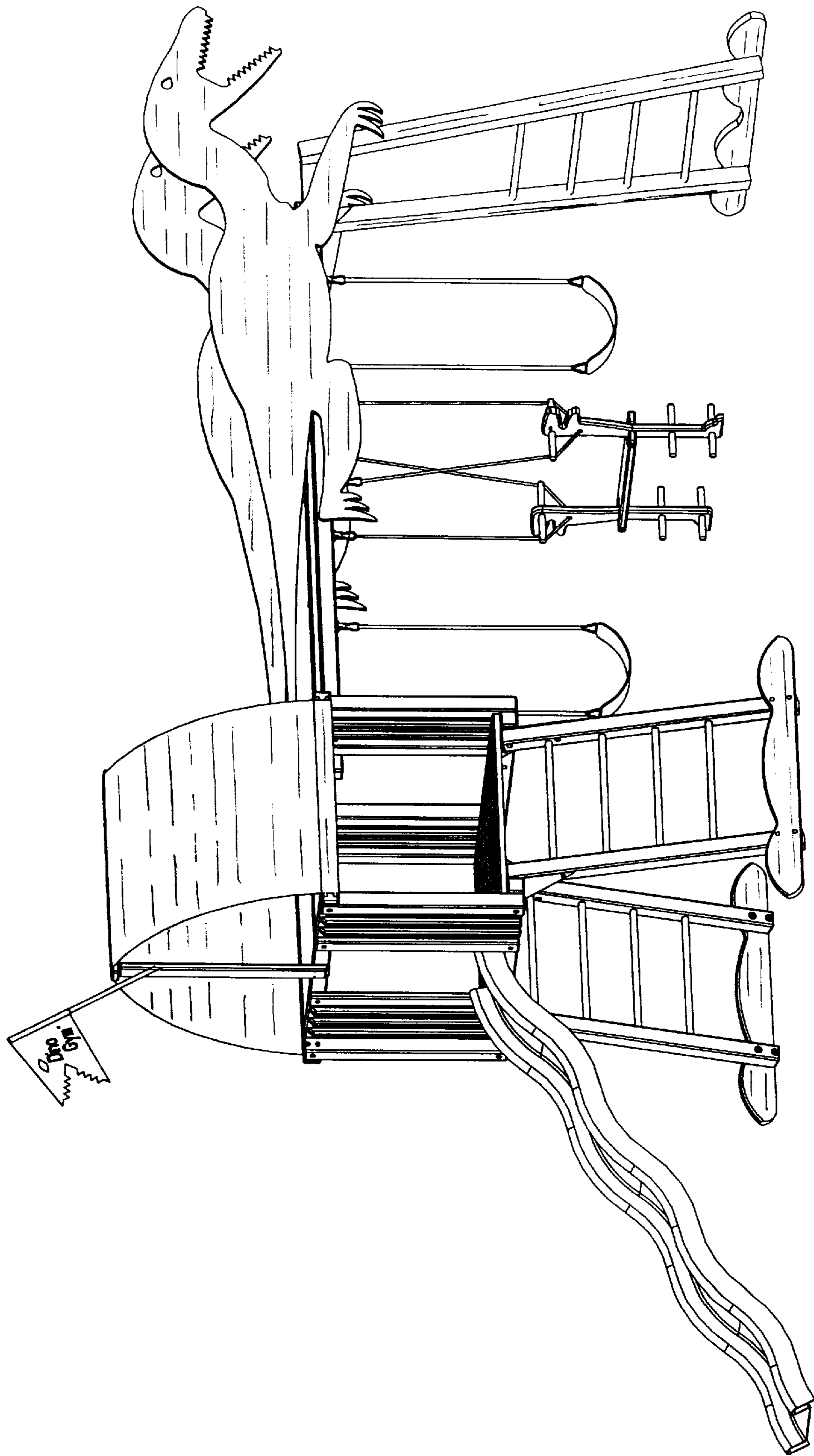


FIG. 4

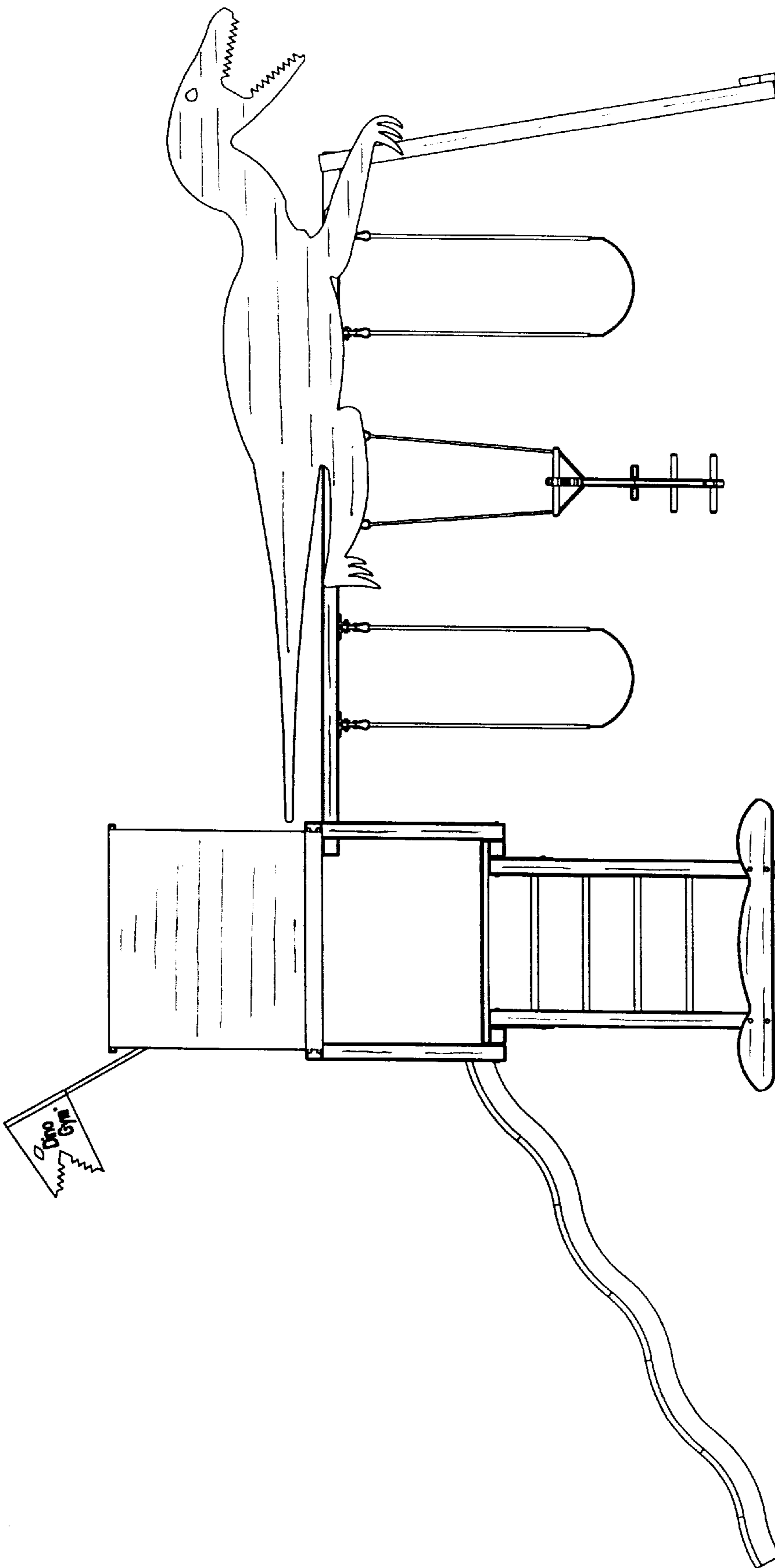


FIG. 5

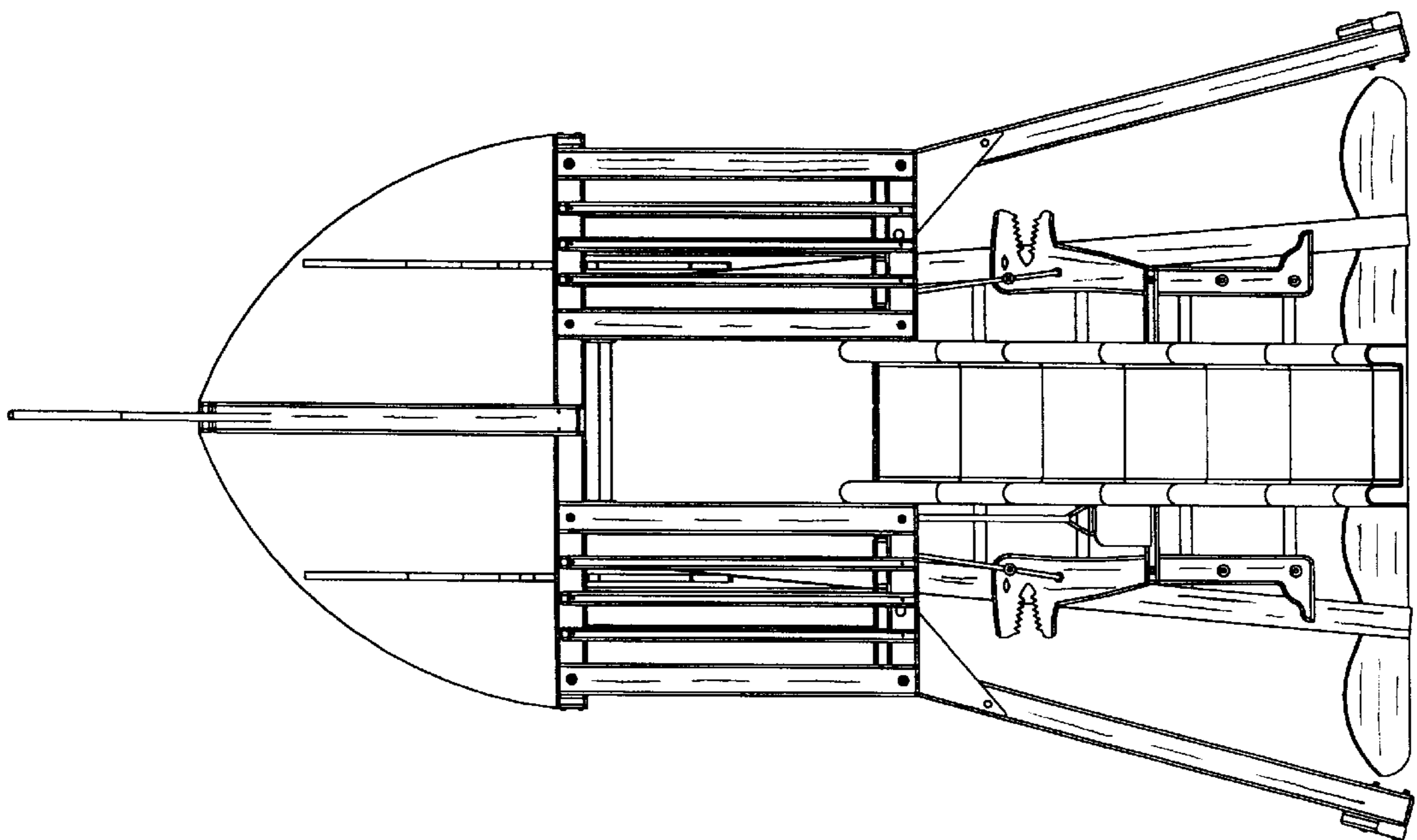


FIG. 6

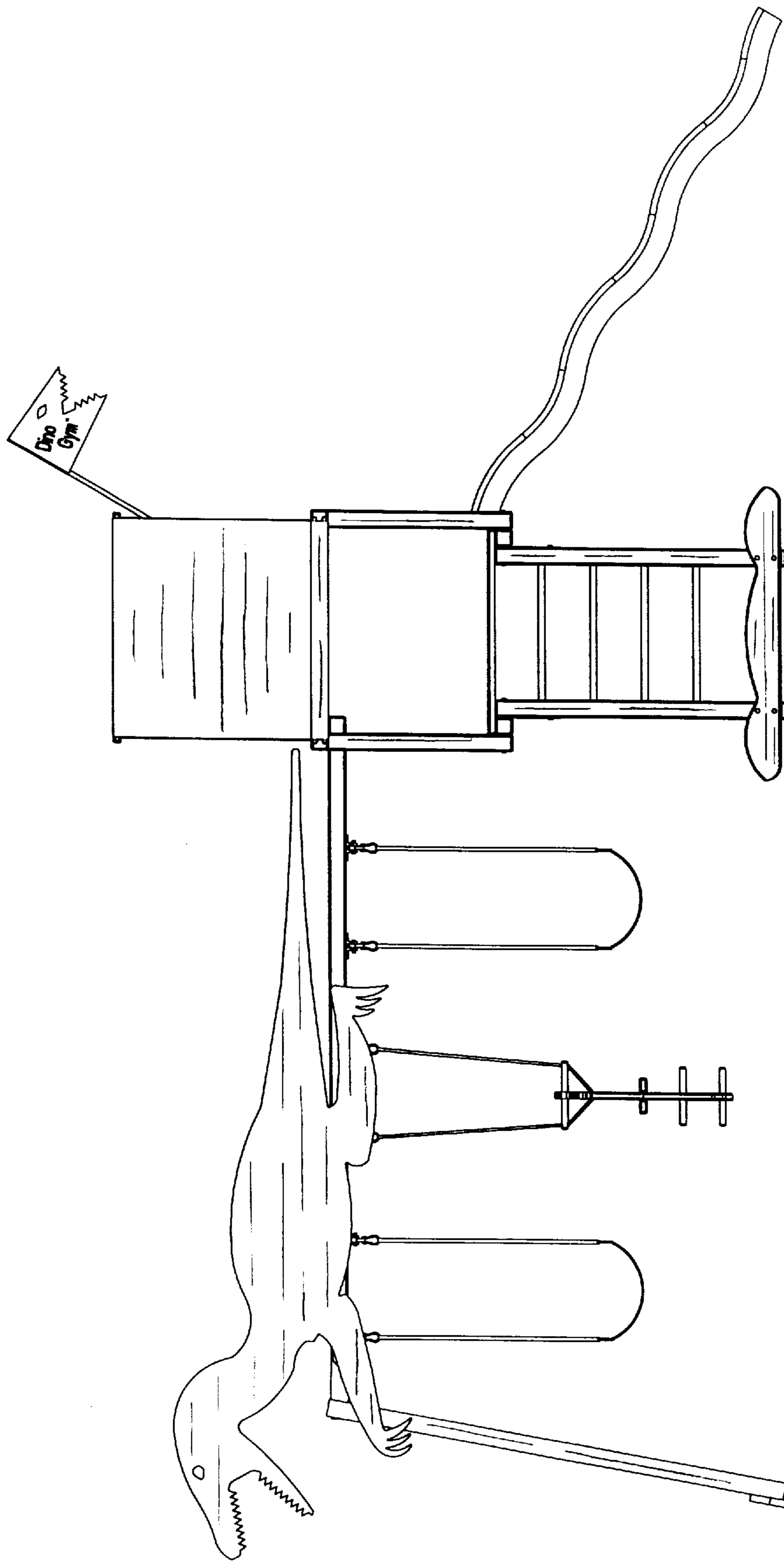


FIG. 7

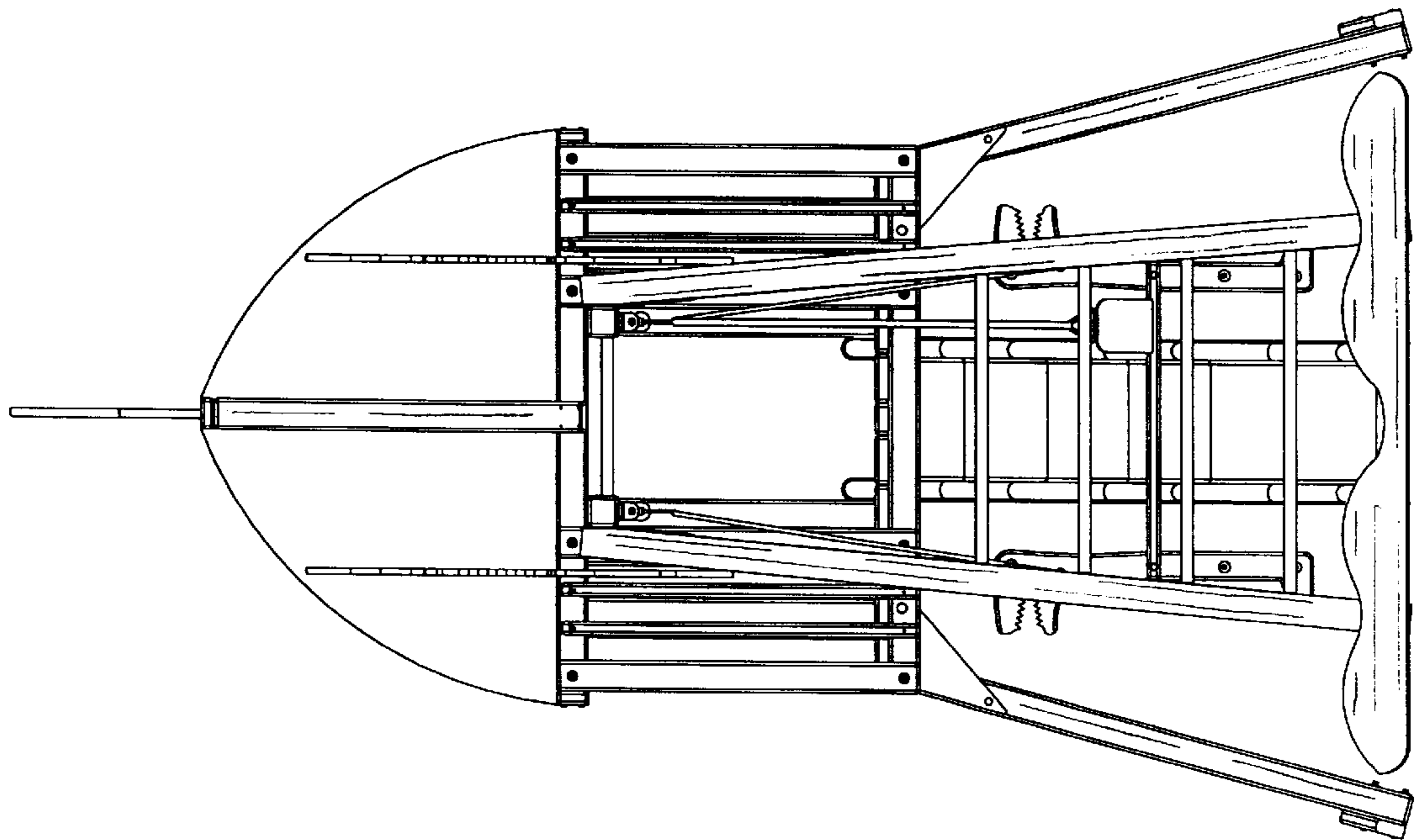


FIG. 8

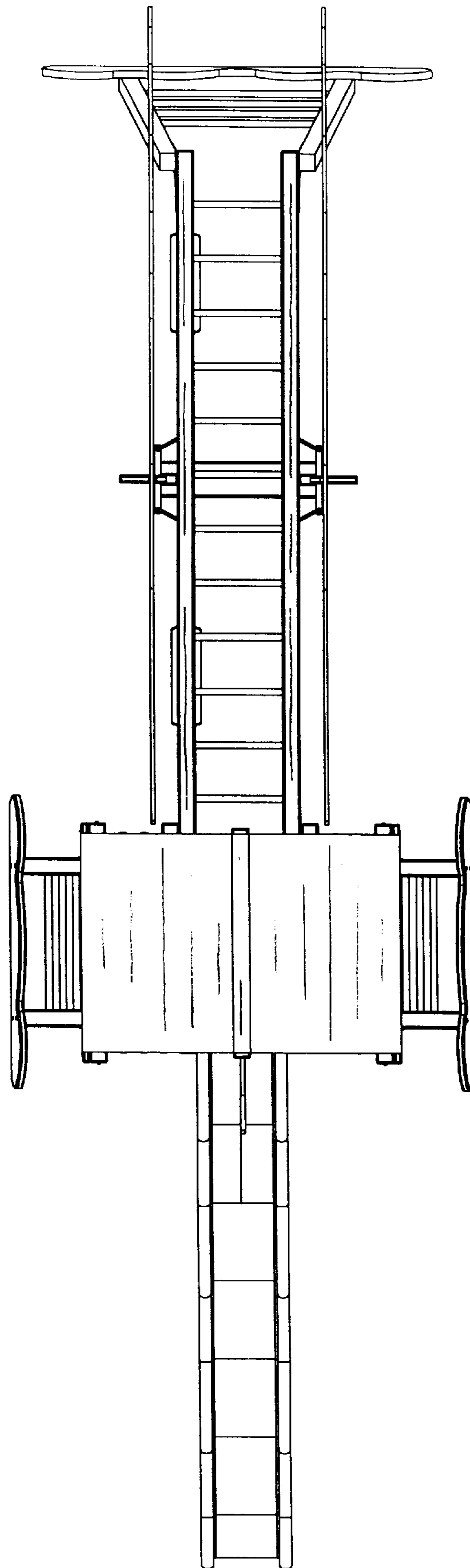


FIG. 9

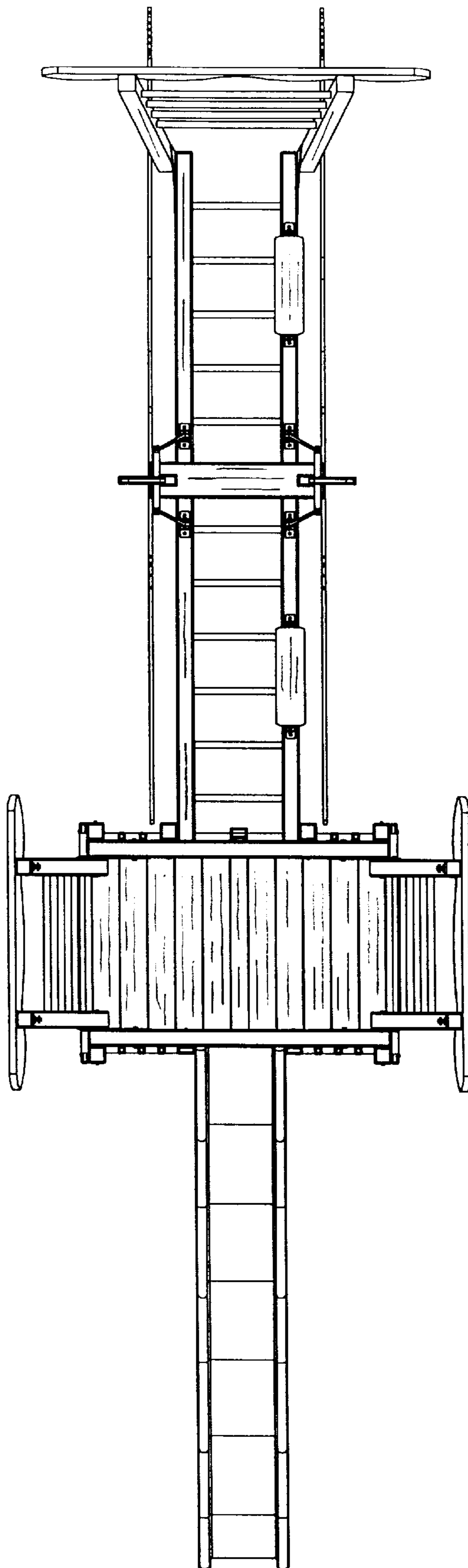


FIG. 10