



US00D436222S

(12) **United States Design Patent**
Lim

(10) **Patent No.:** **US D436,222 S**

(45) **Date of Patent:** **** Jan. 9, 2001**

(54) **LIGHTER**

(75) Inventor: **Hwa Cheol Lim**, Seoul (KR)

(73) Assignee: **Colibri Corporation**, Providence, RI (US)

(**) Term: **14 Years**

(21) Appl. No.: **29/123,444**

(22) Filed: **May 18, 2000**

(51) **LOC (7) Cl.** **27-05**

(52) **U.S. Cl.** **D27/141; D27/157; D27/159**

(58) **Field of Search** **D27/139, 141, 152, 139, 141, 142, 143, 157, 159, 254, 255**

(56) **References Cited**

U.S. PATENT DOCUMENTS

- D. 410,563 * 6/1999 Reynolds D27/157 X
- D. 413,180 * 8/1999 Maruyama D27/141
- D. 428,194 * 7/2000 Chen D27/141

* cited by examiner

Primary Examiner—Susan J. Lucas

Assistant Examiner—Jennifer Rivard

(74) *Attorney, Agent, or Firm*—Fish & Richardson P.C.

(57) **CLAIM**

The ornamental design for a lighter, as shown and described.

DESCRIPTION

FIG. 1 is a perspective view of a lighter embodying the new design;

FIG. 2 is an elevation view of one side of the lighter shown in FIG. 1;

FIG. 3 is a an elevation view of the other side of the lighter shown in FIG. 2;

FIG. 4 is a rear elevation view of the lighter shown in FIG. 1;

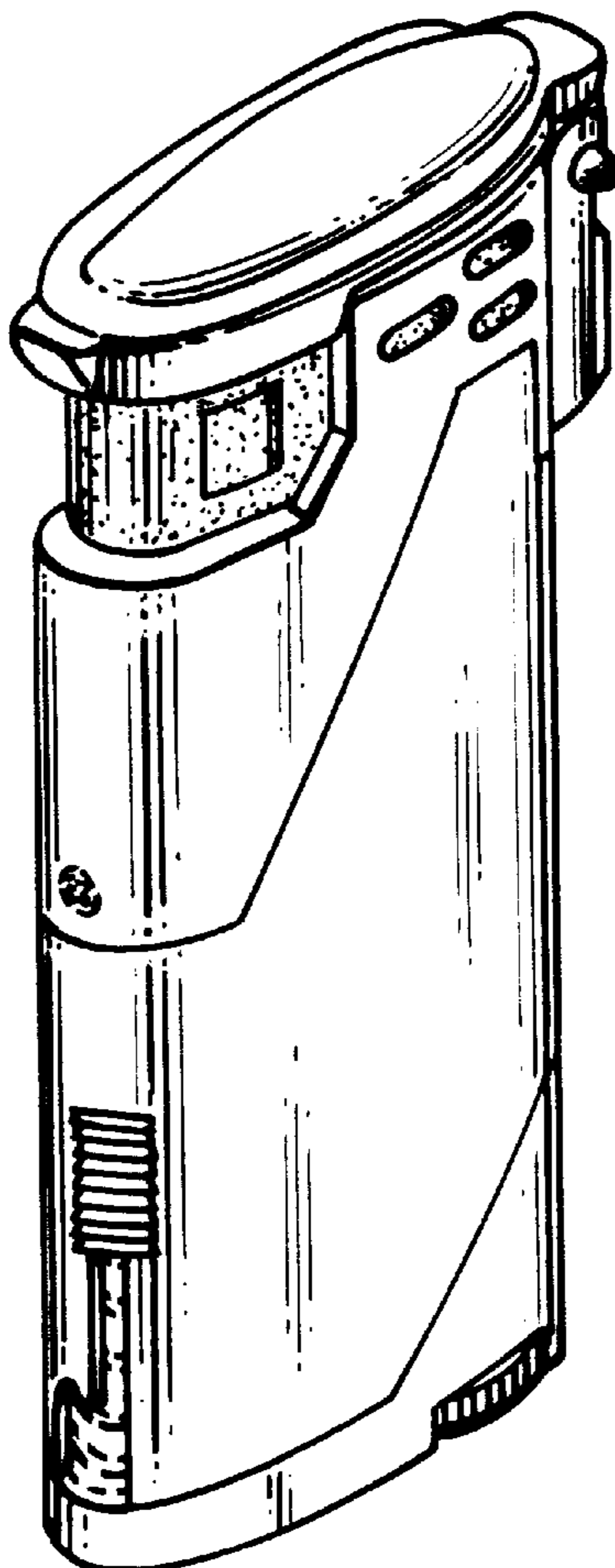
FIG. 5 is a front elevation view of the lighter shown in FIG. 1;

FIG. 6 is a top plan view of the lighter shown in FIG. 1; and,

FIG. 7 is a bottom view of the lighter shown in FIG. 1.

The broken lines in the drawings do not form part of the claimed design.

1 Claim, 3 Drawing Sheets



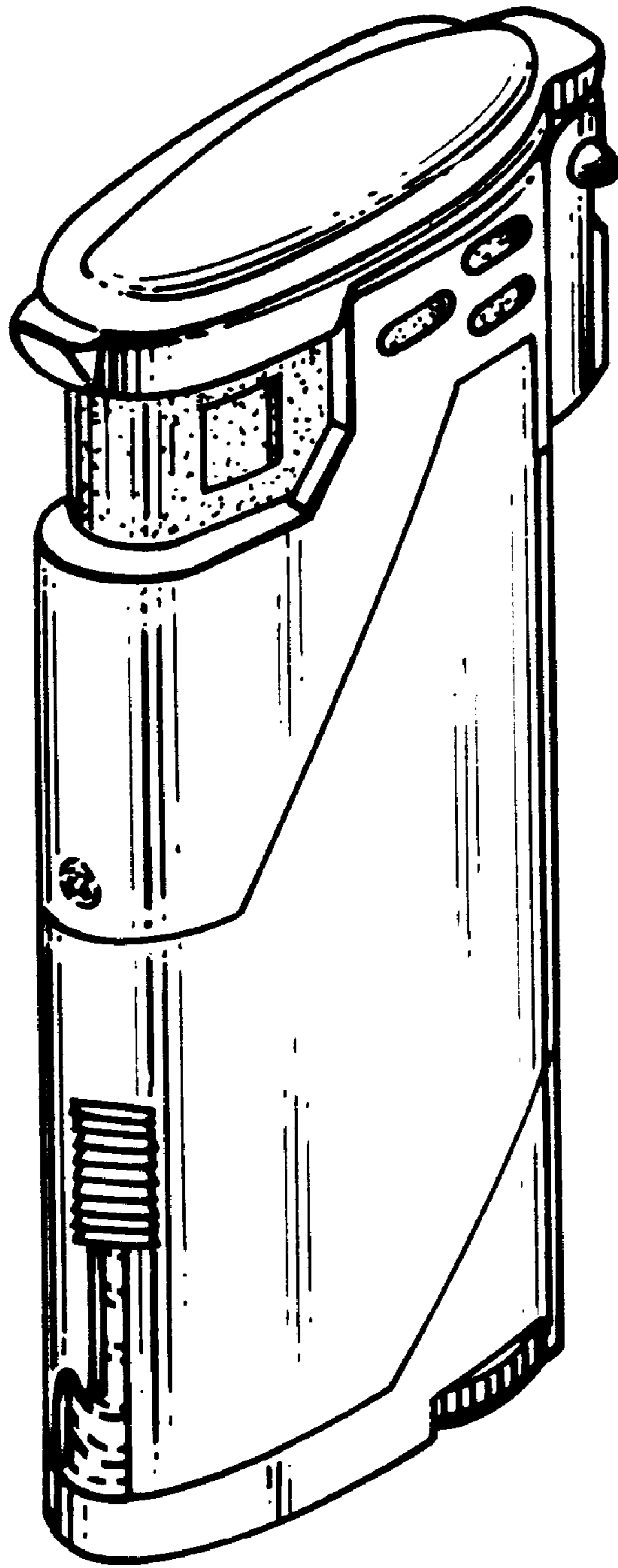


FIG. 1

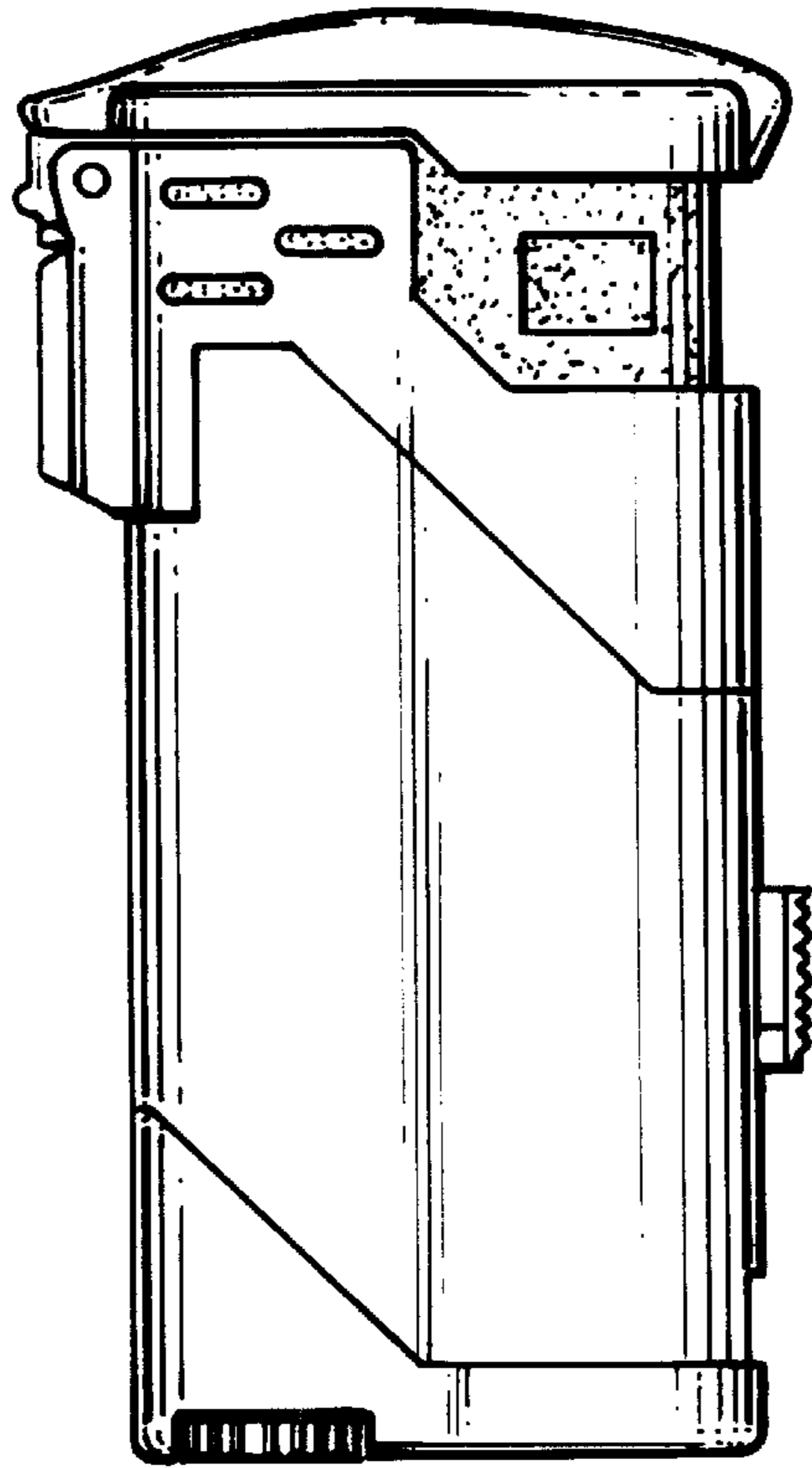


FIG. 2

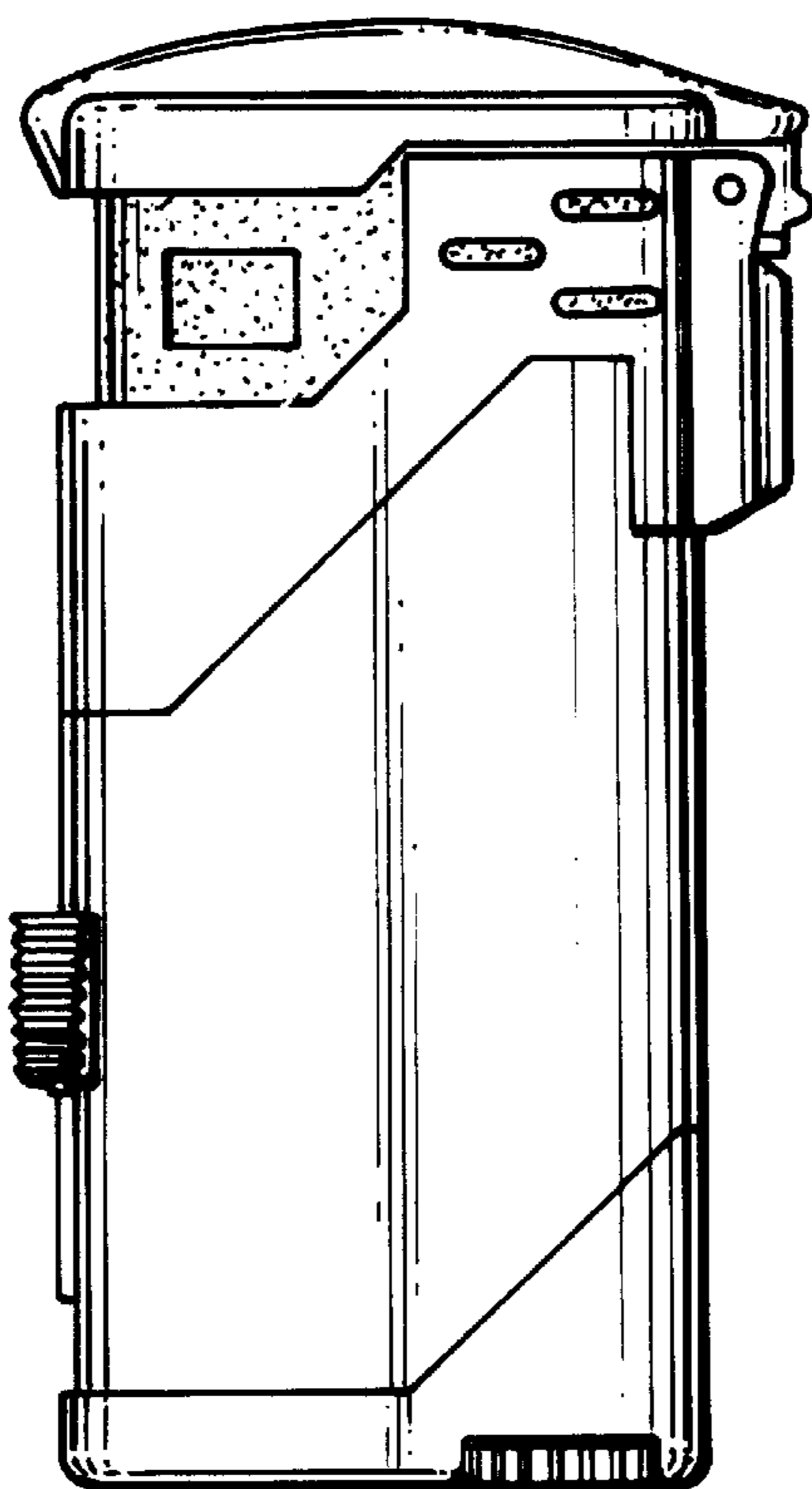


FIG. 3

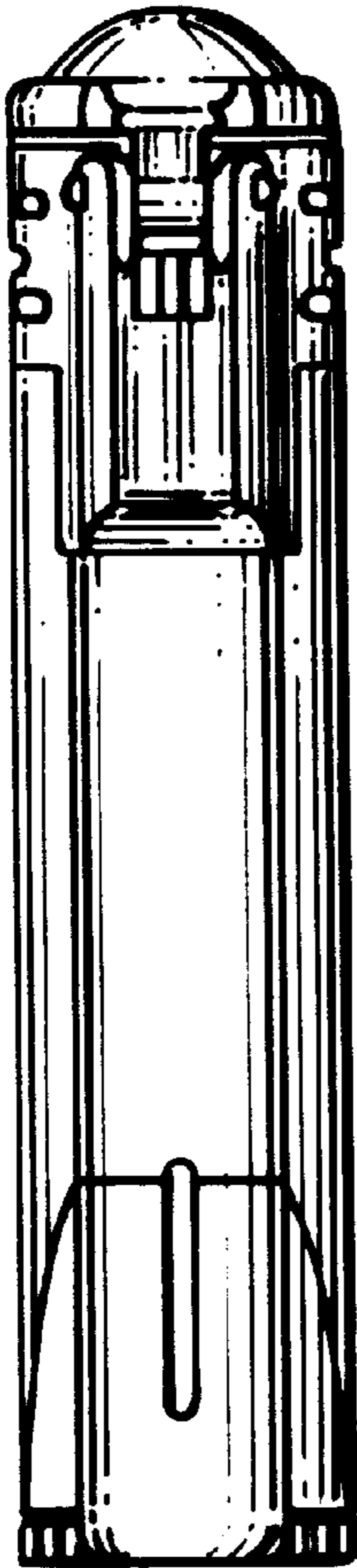


FIG. 4

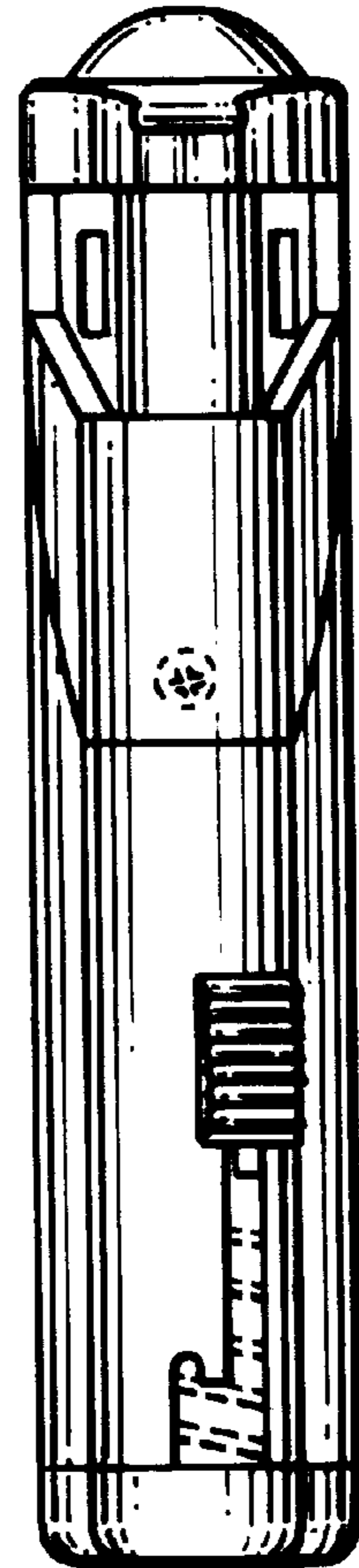


FIG. 5

FIG. 7

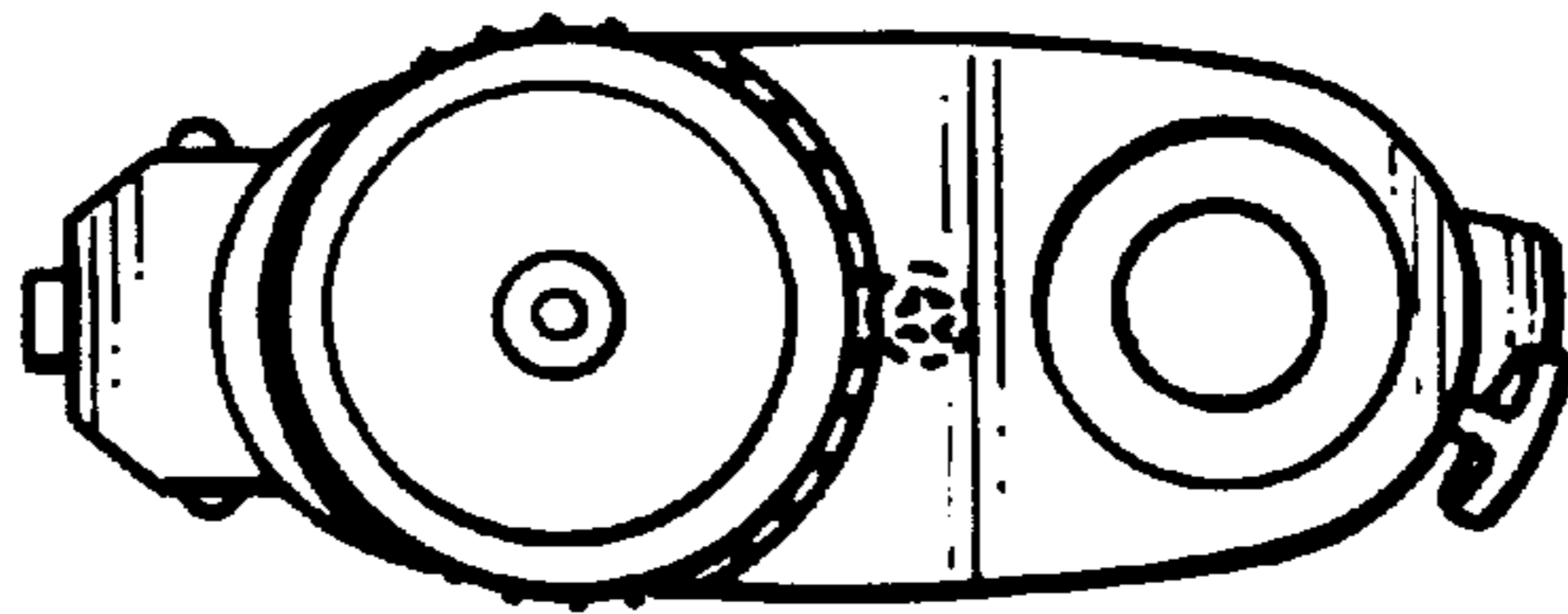


FIG. 6

