



US00D436212S

(12) **United States Design Patent**  
**Hammar**

(10) **Patent No.:** **US D436,212 S**

(45) **Date of Patent:** **\*\* Jan. 9, 2001**

(54) **LIGHTING FIXTURE**

(75) Inventor: **Richard Hammar**, Mentor, OH (US)

(73) Assignee: **The L. D. Kichler Co.**, Cleveland, OH (US)

(\*\*) Term: **14 Years**

(21) Appl. No.: **29/113,403**

(22) Filed: **Nov. 4, 1999**

(51) **LOC (7) Cl.** ..... **26-05**

(52) **U.S. Cl.** ..... **D26/85; D26/90**

(58) **Field of Search** ..... **D26/72, 80-92, D26/142, 143, 149, 156; 362/147, 404-408**

(56) **References Cited**

**U.S. PATENT DOCUMENTS**

D. 153,803	5/1949	Huppert .	
D. 164,606	9/1951	Schlage .	
D. 234,797	4/1975	John et al. .	
D. 372,327	7/1996	Miranda .	
D. 389,598 *	1/1998	Littman et al. ....	D26/84
D. 405,216	2/1999	Porter et al. .	

**OTHER PUBLICATIONS**

Forecast lighting catalog, 1993, p. 48, chandelier # 53809-57.\*

Quoizel lighting catalog, 1990, p. 37, ceiling lamp # SO 1003G.\*

Sea Gull lighting catalog, 1987, p. 70, ceiling lamp # 7725-34.\*

Kichler Lighting catalog, dated Jul. 1991, pp. 5 and 108, printed U.S.A.

\* cited by examiner

*Primary Examiner*—Susan J. Lucas

(74) *Attorney, Agent, or Firm*—Watts, Hoffmann, Fisher & Heinke, Co., L.P.A.

(57) **CLAIM**

I claim the ornamental design for a lighting fixture, as shown and described.

**DESCRIPTION**

FIG. 1 is a perspective view of the lighting fixture showing my new design;

FIG. 2 is a front elevational view of the lighting fixture, the rear elevational view being identical;

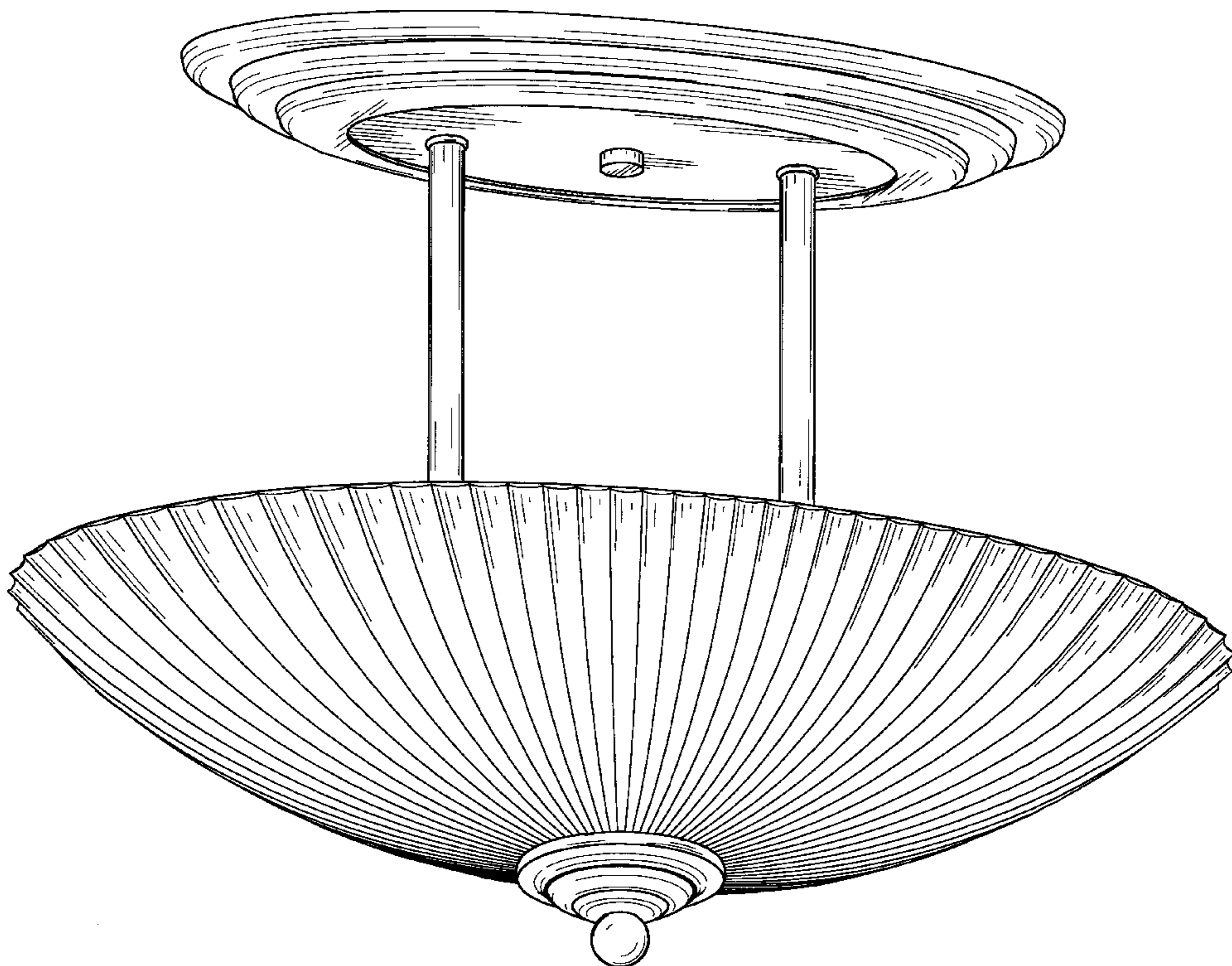
FIG. 3 is a right side elevational view of the lighting fixture, the left side elevational view being identical;

FIG. 4 is a bottom plan view of the lighting fixture; and,

FIG. 5 is a top plan view of the lighting fixture.

The broken lines shown are for illustrative purposes only and form no part of the claimed design.

**1 Claim, 5 Drawing Sheets**



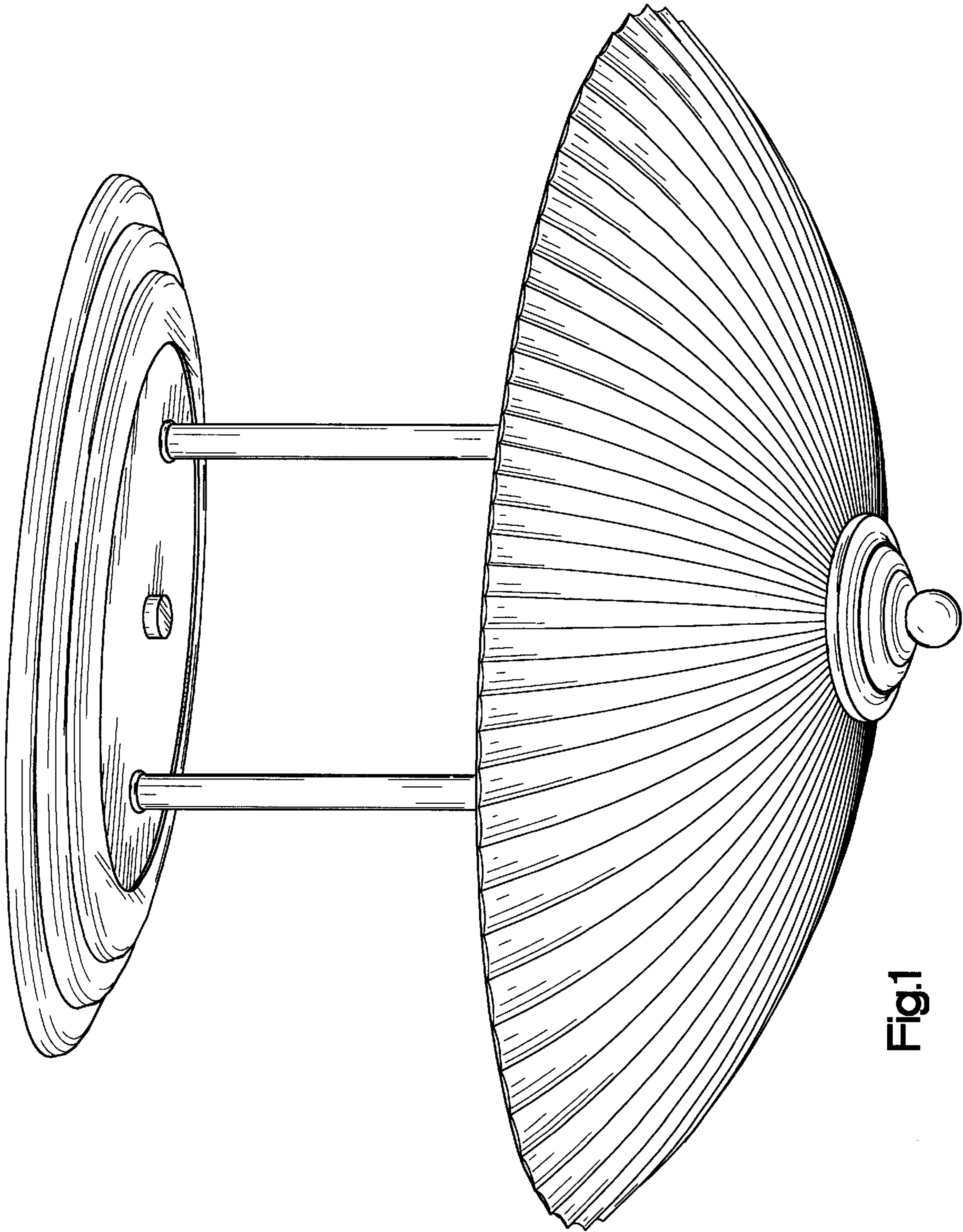


Fig.1

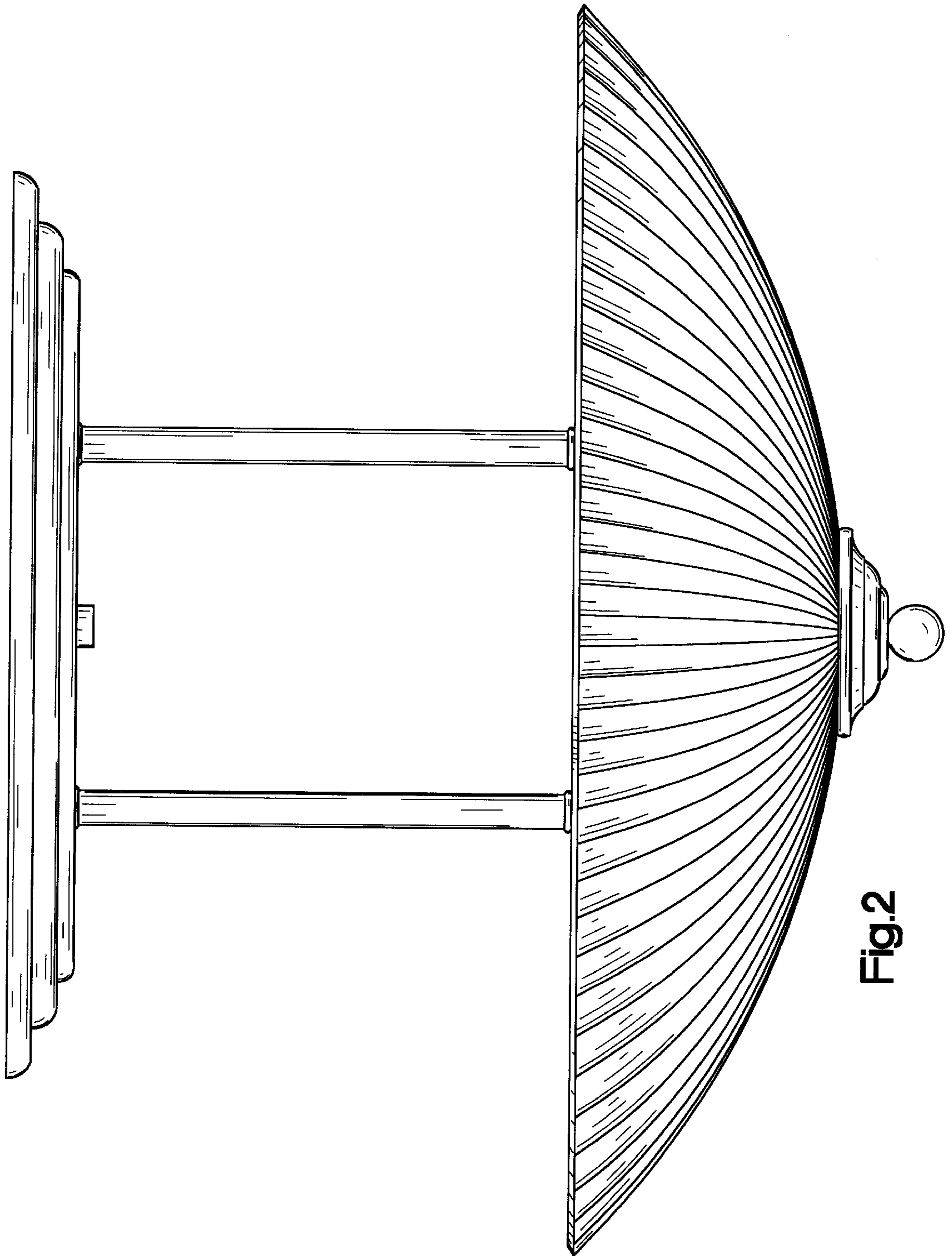


Fig. 2



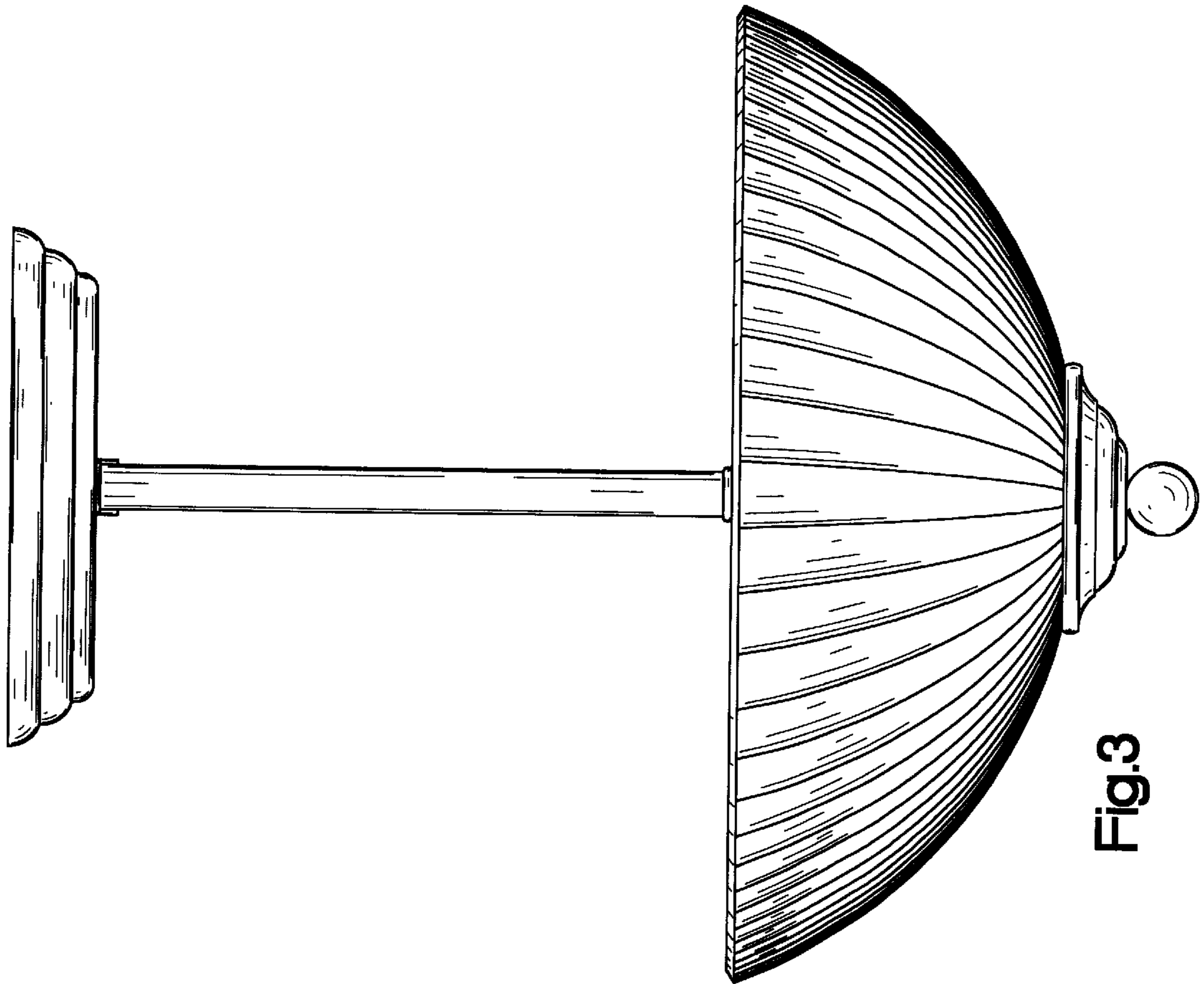


Fig.3

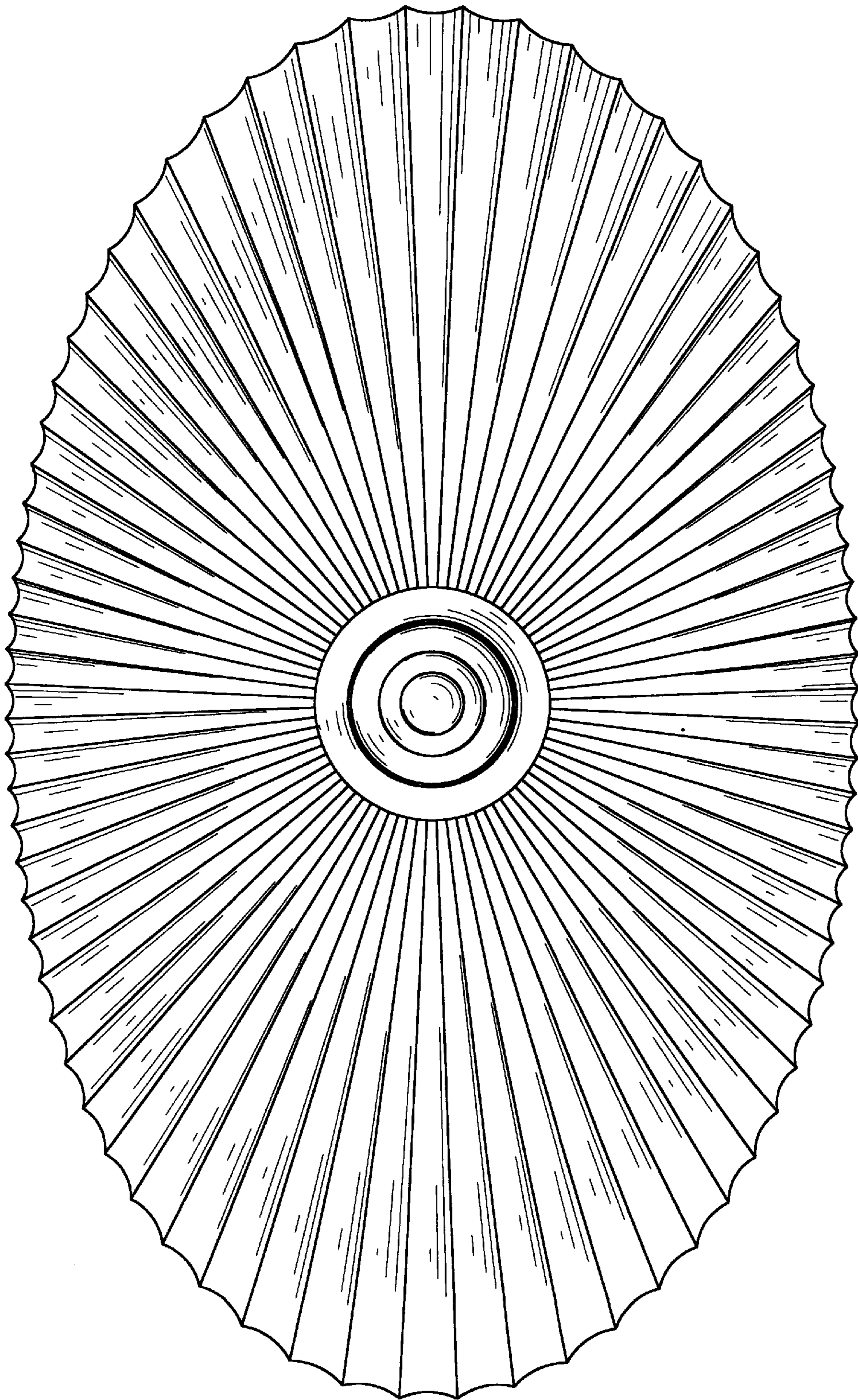


Fig.4

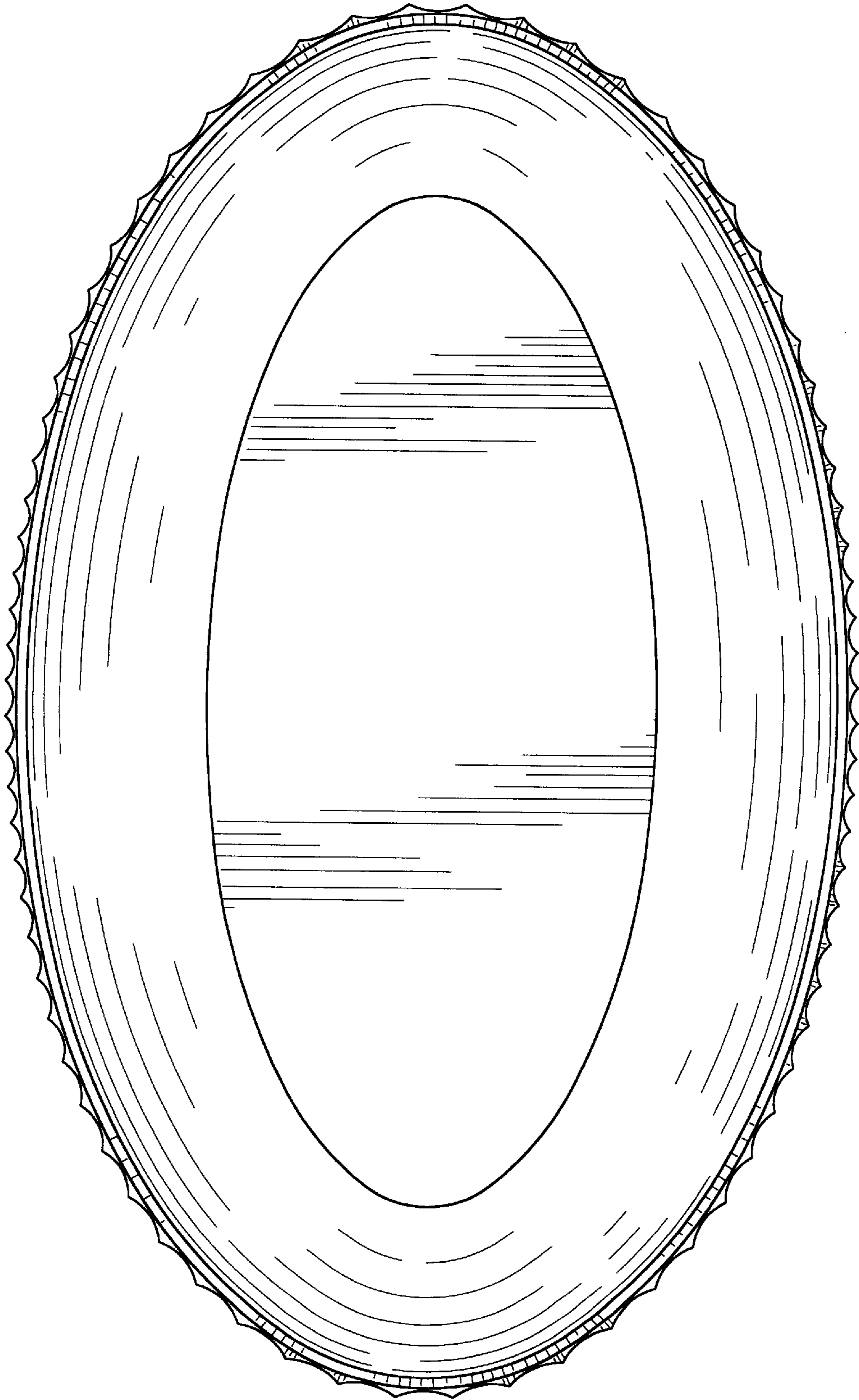


Fig.5