



US00D436208S

(12) **United States Design Patent**
De'Armond

(10) **Patent No.:** **US D436,208 S**

(45) **Date of Patent:** **** Jan. 9, 2001**

(54) **LAMP HOUSING**

(75) Inventor: **Robert De'Armond**, Temecula, CA
(US)

(73) Assignee: **Minka Lighting, Inc.**, Corona, CA
(US)

(**) Term: **14 Years**

(21) Appl. No.: **29/105,367**

(22) Filed: **May 24, 1999**

(51) **LOC (7) Cl.** **26-05**

(52) **U.S. Cl.** **D26/72**

(58) **Field of Search** D26/72, 80-92,
D26/67-70; 362/147, 431, 432, 404-408,
367, 276

(56) **References Cited**

U.S. PATENT DOCUMENTS

- D. 419,256 * 1/2000 Meck et al. D26/67
- D. 421,814 * 3/2000 Meck et al. D26/67
- D. 429,359 * 8/2000 Chen D26/85
- 5,442,532 * 8/1995 Boulos et al. 362/367 X

OTHER PUBLICATIONS

Home Lighting and Accessories, Mar. 1995, p. 38, outdoor lantern, top, left.*

* cited by examiner

Primary Examiner—Susan J. Lucas

(74) *Attorney, Agent, or Firm*—Jenkins & Gilchrist, P.C.

(57) **CLAIM**

The ornamental design for the lamp housing, as shown and described.

DESCRIPTION

FIG. 1 is a front side elevational view of the lamp housing in accordance with my design;

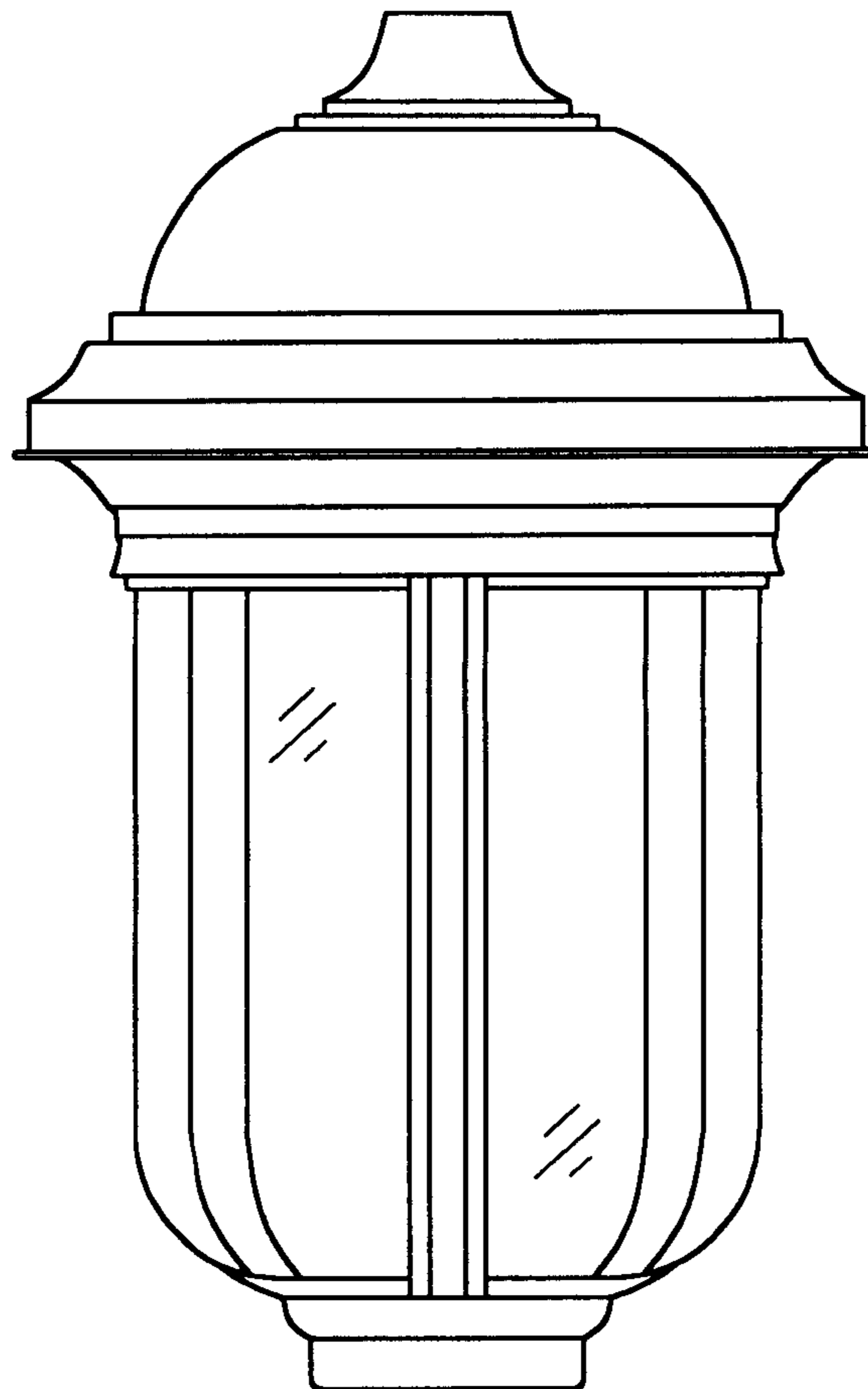
FIG. 2 is a rear side elevational view of the lamp housing in accordance with my design; and

FIG. 3 is a top plan view of the lamp housing in accordance with my design; and,

FIG. 4 is a bottom plan view of the lamp housing in accordance with my design.

The broken lines show the environment in which the article is used and are not considered part of the design claimed.

1 Claim, 2 Drawing Sheets



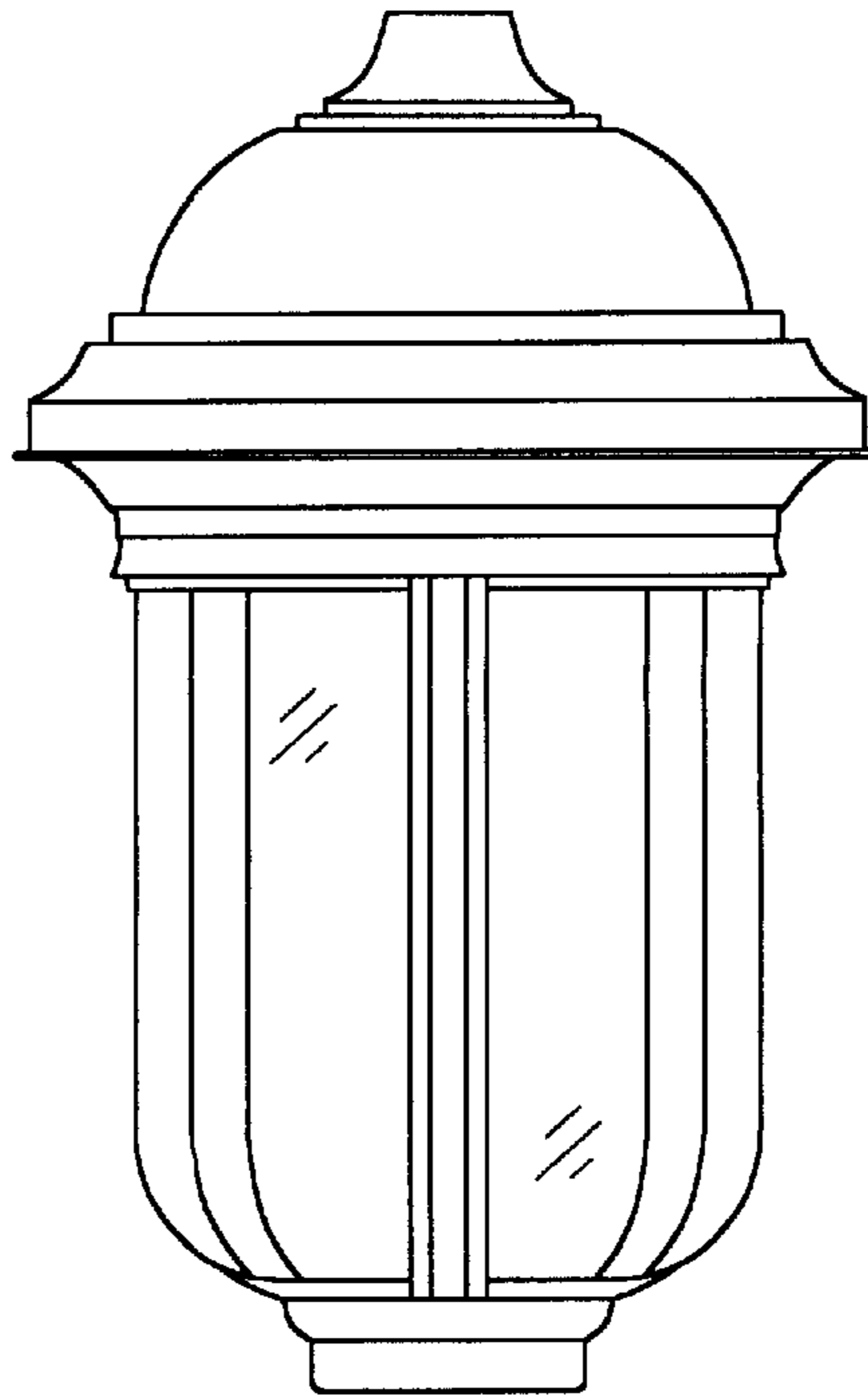


FIG. 1

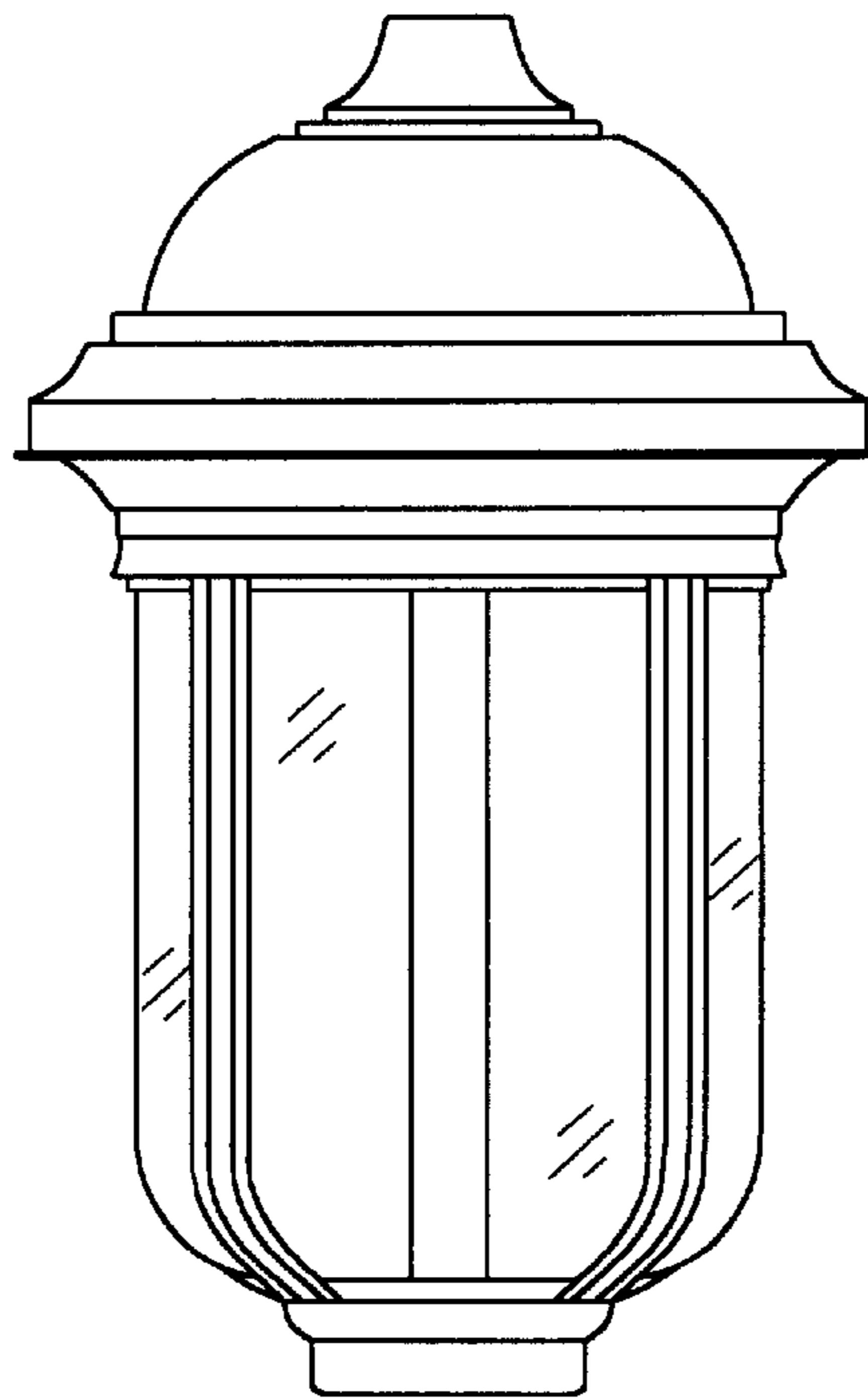


FIG. 2

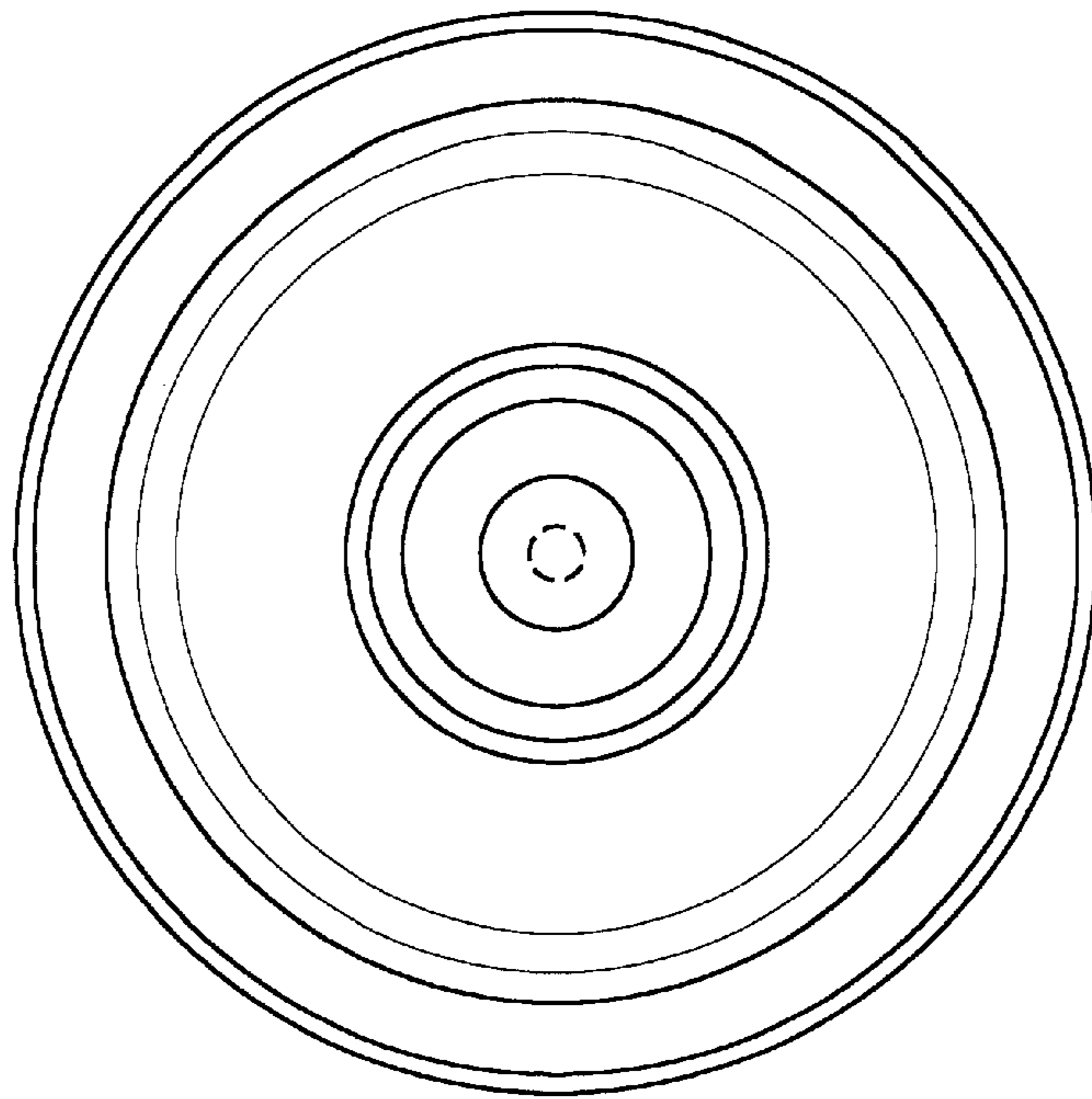


FIG. 3

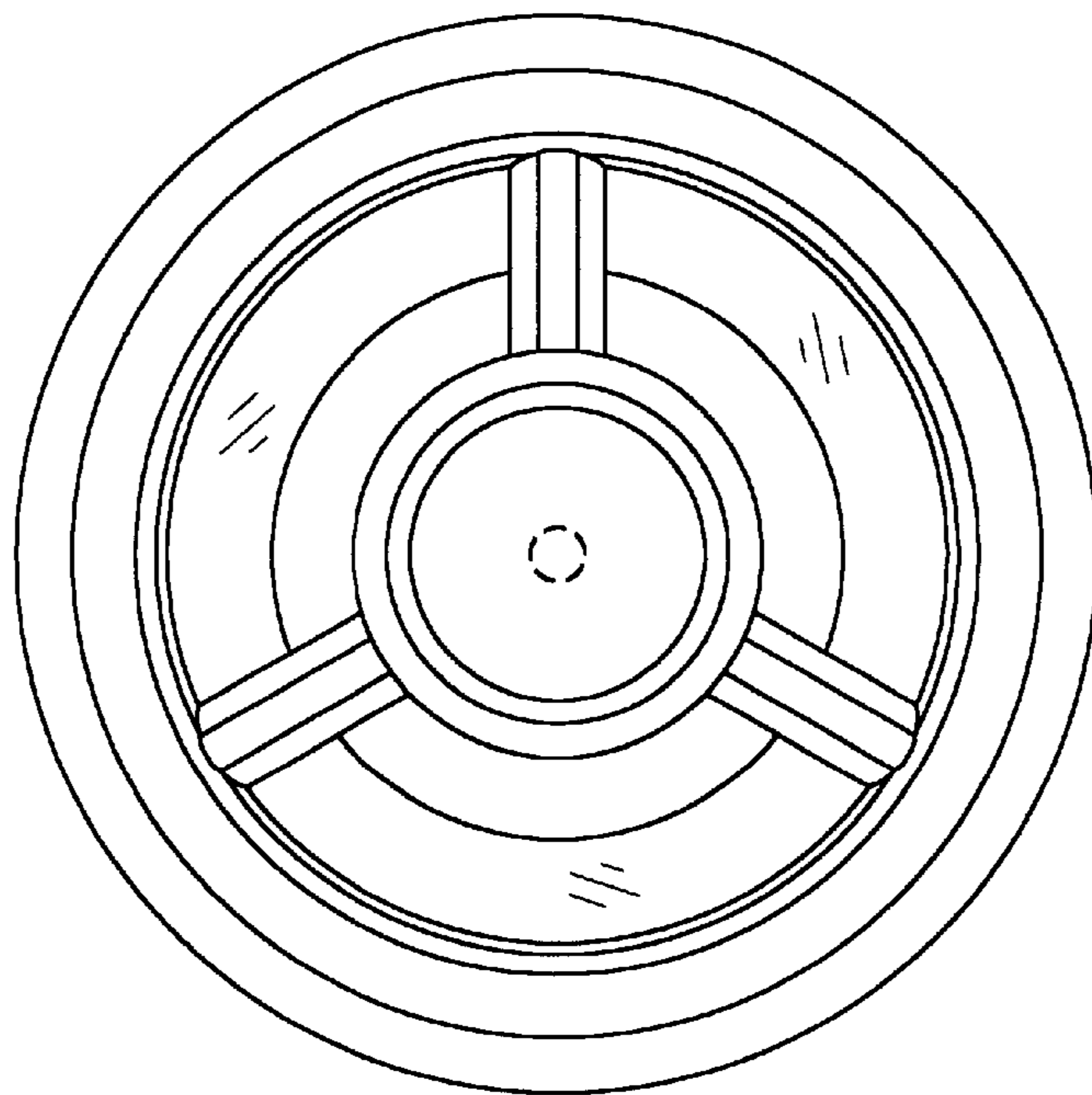


FIG. 4